



US00D779913S

(12) **United States Design Patent**
Zimmer

(10) **Patent No.:** **US D779,913 S**

(45) **Date of Patent:** **** Feb. 28, 2017**

- (54) **CABINET HANDLE**
- (71) Applicant: **Top Knobs USA, Inc.**, Hillsborough, NJ (US)
- (72) Inventor: **Christine Zimmer**, Hillsborough, NJ (US)
- (73) Assignee: **TOP KNOBS USA, INC.**, Hillsborough, NJ (US)
- (**) Term: **15 Years**
- (21) Appl. No.: **29/546,917**
- (22) Filed: **Nov. 27, 2015**
- (51) **LOC (10) Cl.** **08-06**
- (52) **U.S. Cl.**
USPC **D8/316**
- (58) **Field of Classification Search**
USPC D8/300, 315–320, 349, 350, DIG. 1; D23/250, 254; D6/549, 546; 16/110.1, 16/412–415, 422, 425, DIG. 10
CPC Y10T 16/00; Y10T 16/44; Y10T 16/455; Y10T 16/458; Y10T 16/463; Y10T 16/4707; Y10T 16/498
See application file for complete search history.

5,465,438	A *	11/1995	Allman	A61G 12/00	4/516
6,003,202	A *	12/1999	Dauterive	A47B 95/02	16/419
D542,119	S *	5/2007	Ricereto	D8/317	
D590,693	S *	4/2009	Bertani	D8/315	
D598,270	S *	8/2009	Hanes	D8/317	
D647,383	S *	10/2011	Bishop	D8/317	
D708,926	S *	7/2014	Han	D8/317	
D718,606	S *	12/2014	Ramsland	D8/315	
D729,035	S *	5/2015	Zimmer	D8/316	
2003/0056334	A1 *	3/2003	Finkelstein	F24C 15/024	16/436

* cited by examiner

Primary Examiner — Prabhakar Deshmukh
(74) *Attorney, Agent, or Firm* — Schultz & Associates, P.C.

(57) **CLAIM**

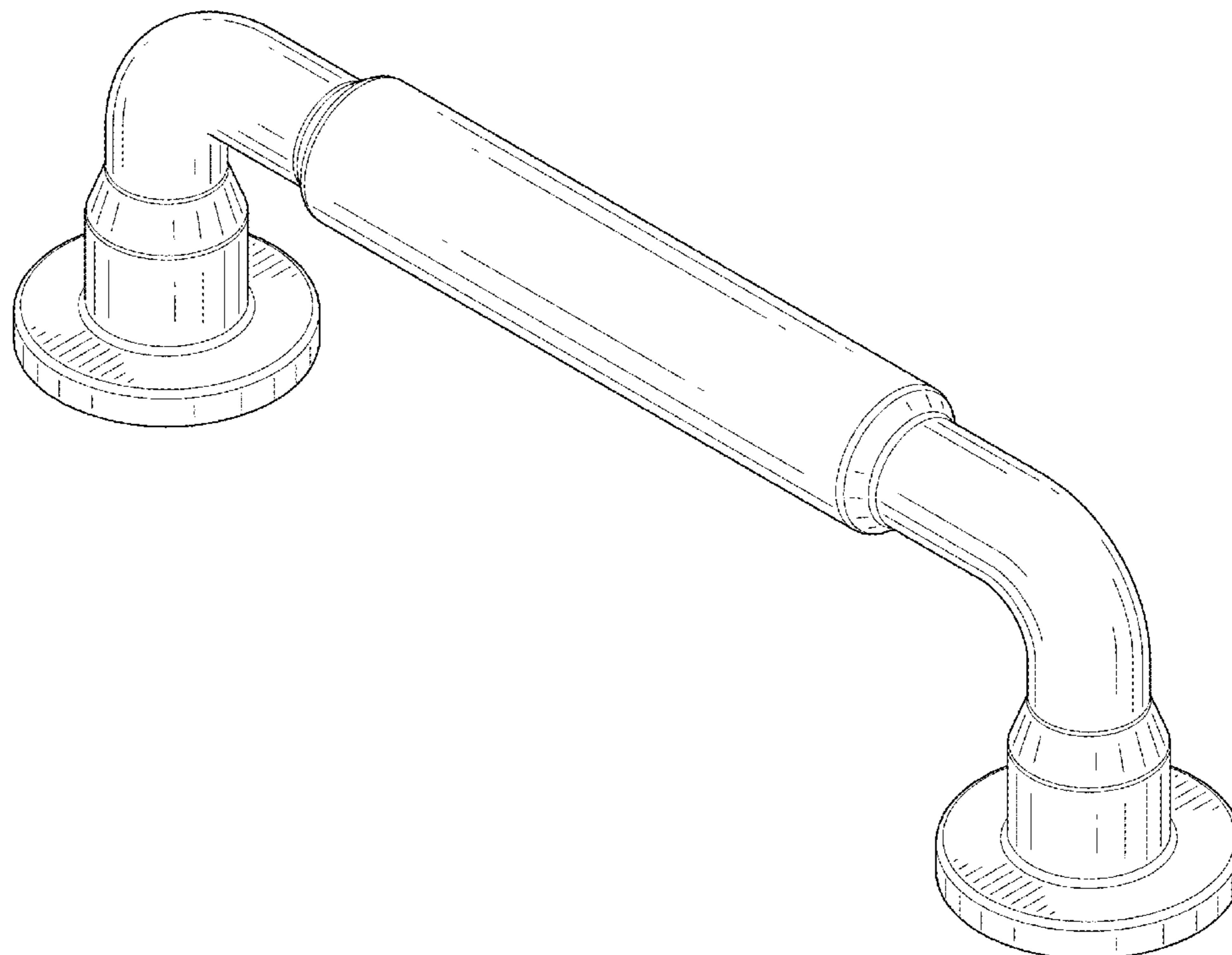
The ornamental design for a cabinet handle, as shown and described.

DESCRIPTION

FIG. 1 is a perspective view of a cabinet handle showing our new design;
FIG. 2 is a front elevational view thereof;
FIG. 3 is a left side elevational view thereof;
FIG. 4 is a top plan view thereof; and
FIG. 5 is a bottom plan view thereof.
The broken lines shown represent unclaimed portions and form no part of the claimed design.

1 Claim, 3 Drawing Sheets

- (56) **References Cited**
U.S. PATENT DOCUMENTS
2,672,103 A * 3/1954 Hohmes B60N 3/02 105/354
5,295,595 A * 3/1994 Gobidas A47H 1/18 160/330



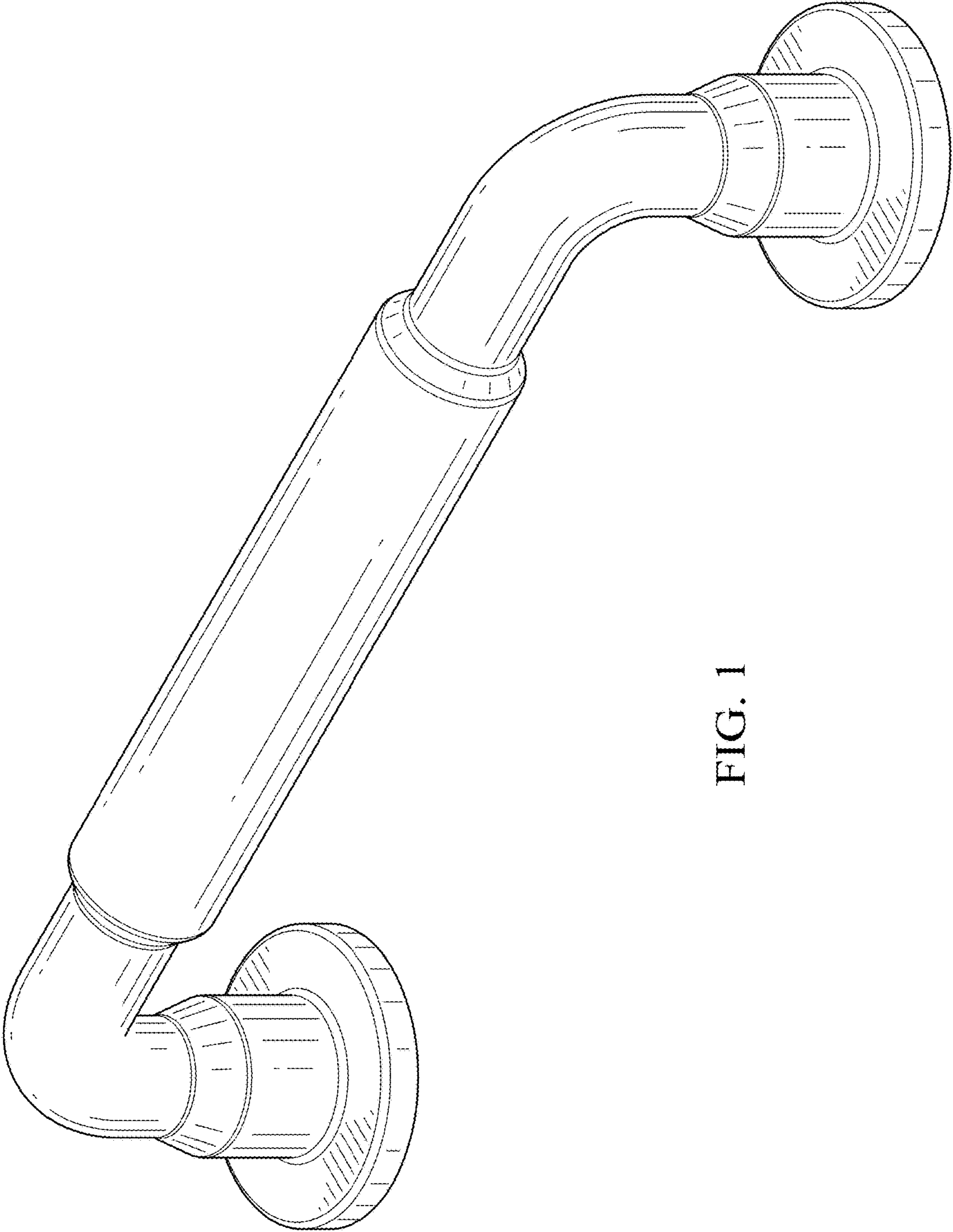


FIG. 1

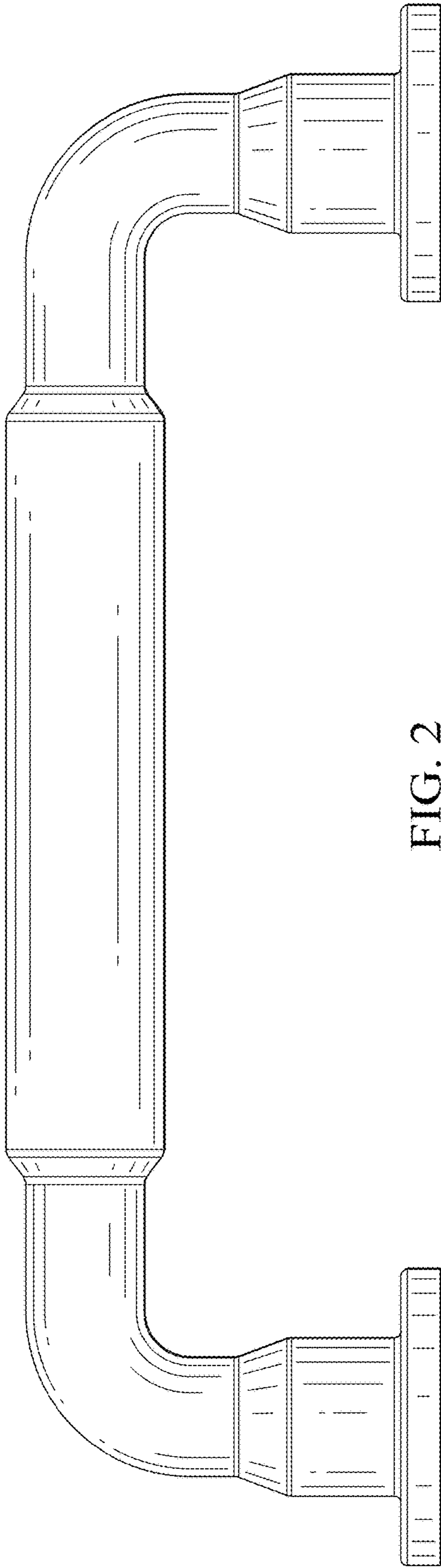


FIG. 2

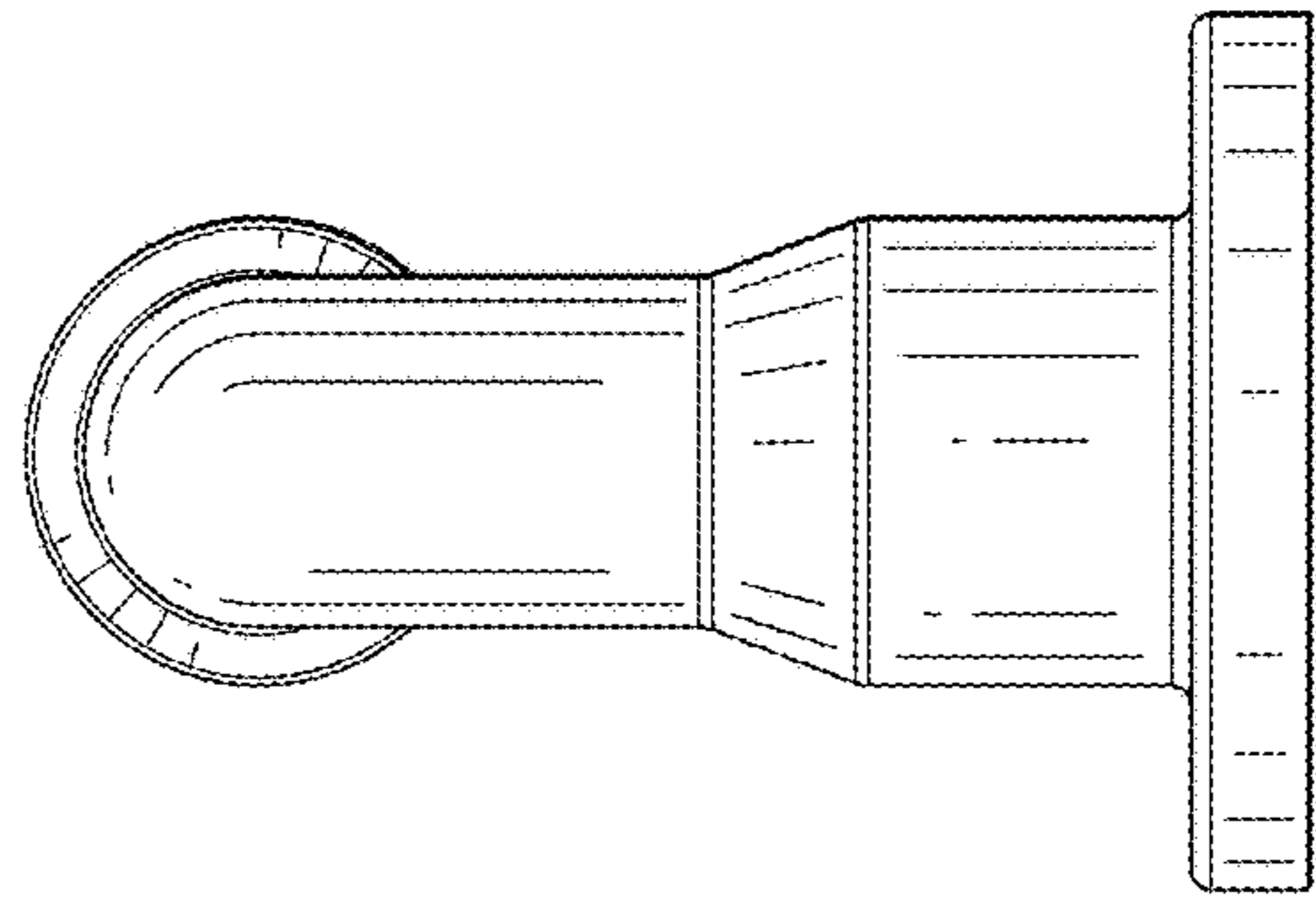


FIG. 3

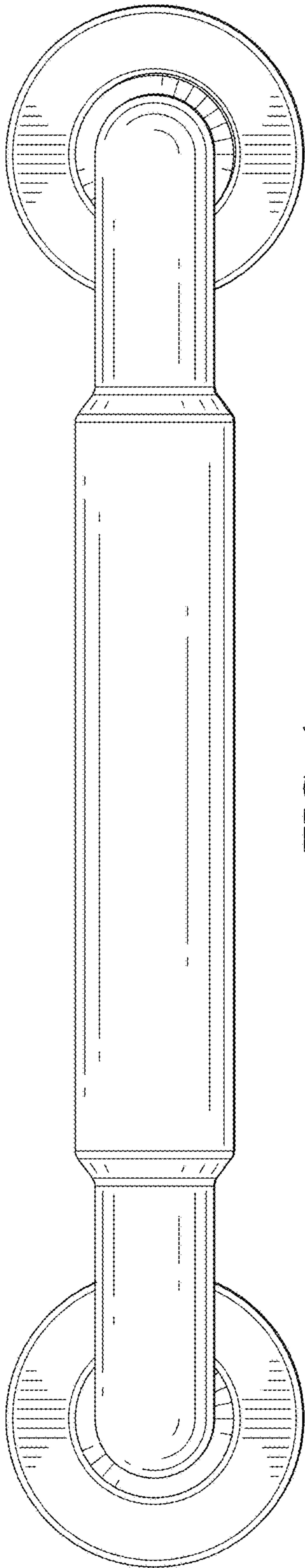


FIG. 4

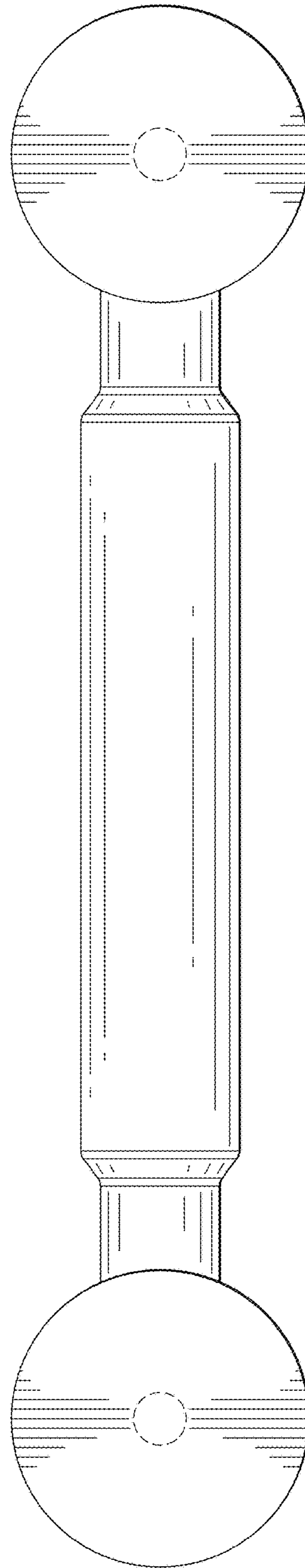


FIG. 5