



US00D779912S

(12) **United States Design Patent**  
**Zimmer**

(10) **Patent No.:** **US D779,912 S**

(45) **Date of Patent:** **\*\* Feb. 28, 2017**

- (54) **CABINET HANDLE**
- (71) Applicant: **Top Knobs USA, Inc.**, Hillsborough, NJ (US)
- (72) Inventor: **Christine Zimmer**, Hillsborough, NJ (US)
- (73) Assignee: **TOP KNOBS USA, INC.**, Hillsborough, NJ (US)
- (\*\*) Term: **15 Years**
- (21) Appl. No.: **29/546,915**
- (22) Filed: **Nov. 27, 2015**
- (51) **LOC (10) Cl.** ..... **08-06**
- (52) **U.S. Cl.**  
USPC ..... **D8/316**
- (58) **Field of Classification Search**  
USPC ..... D8/300, 315–320, 349, 350, DIG. 1;  
D23/250, 254; D6/549, 546; 16/110.1,  
16/412–415, 422, 425, DIG. 10  
CPC ..... Y10T 16/00; Y10T 16/44; Y10T 16/455;  
Y10T 16/458; Y10T 16/493; Y10T  
16/4707; Y10T 16/498  
See application file for complete search history.

6,003,202	A *	12/1999	Dauterive	.....	A47B 95/02
					16/419
D469,329	S *	1/2003	Martin	.....	D8/301
6,546,597	B2 *	4/2003	Atalla	.....	E05B 1/0015
					16/412
D598,269	S *	8/2009	Hanes	.....	D8/317
D611,323	S *	3/2010	Koskela	.....	D8/305
D679,985	S *	4/2013	Ramsland	.....	D8/317
D680,413	S *	4/2013	Ramsland	.....	D8/316
D719,008	S *	12/2014	Han	.....	D8/315
D729,035	S *	5/2015	Zimmer	.....	D8/316
D737,654	S *	9/2015	Han	.....	D8/316
D763,655	S *	8/2016	Zimmer	.....	D8/316

\* cited by examiner

*Primary Examiner* — Prabhakar Deshmukh  
(74) *Attorney, Agent, or Firm* — Schultz & Associates, P.C.

(57) **CLAIM**

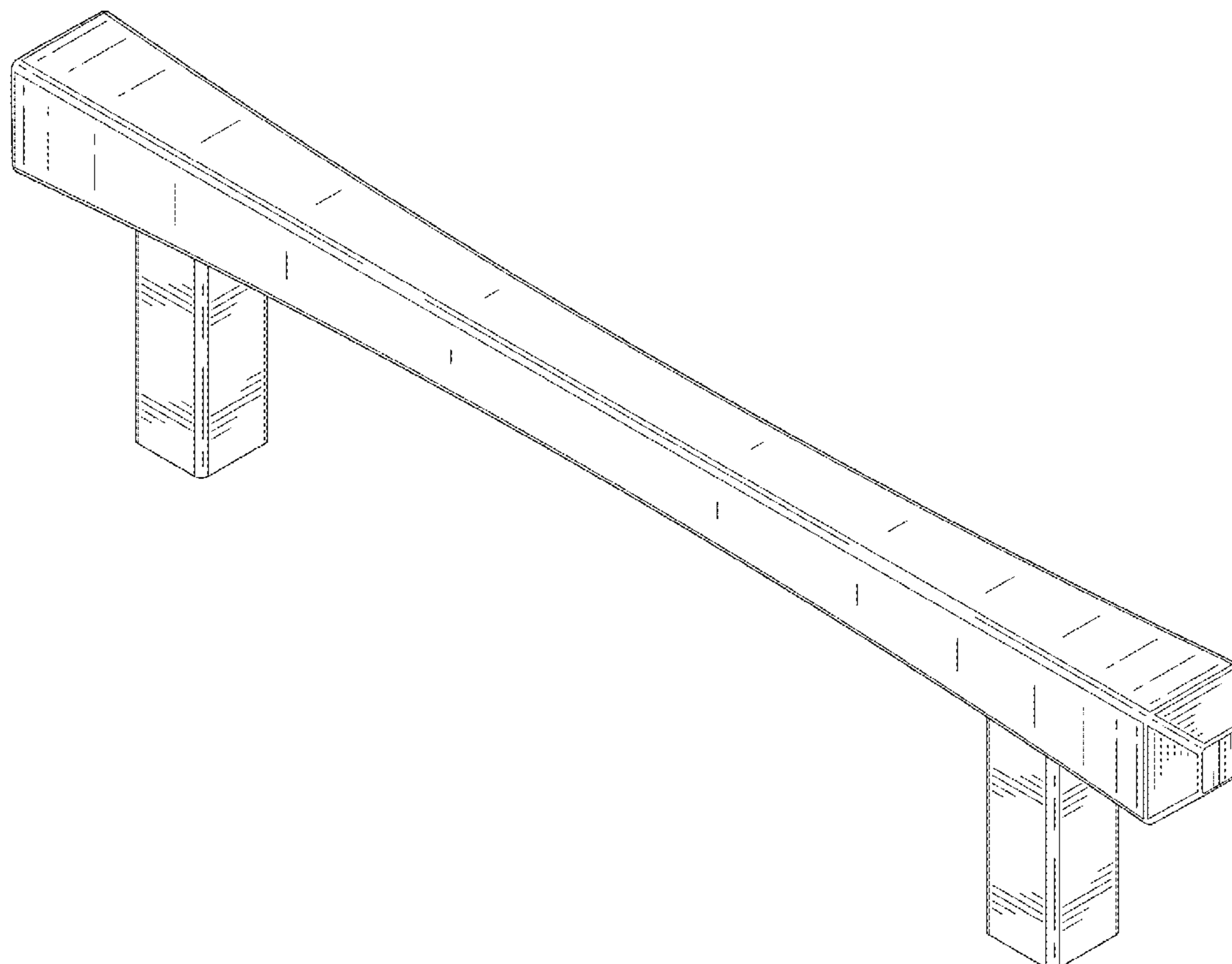
The ornamental design for a cabinet handle, as shown and described.

**DESCRIPTION**

FIG. 1 is a perspective view of a cabinet handle showing our new design;  
FIG. 2 is a front elevational view thereof;  
FIG. 3 is a left side elevational view thereof;  
FIG. 4 is a top plan view thereof; and,  
FIG. 5 is a bottom plan view thereof.  
The broken lines shown represent unclaimed portions and form no part of the claimed design.

**1 Claim, 3 Drawing Sheets**

- (56) **References Cited**  
U.S. PATENT DOCUMENTS  
5,295,595 A \* 3/1994 Gobidas ..... A47H 1/18  
160/330  
5,465,438 A \* 11/1995 Allman ..... A61G 12/00  
4/516



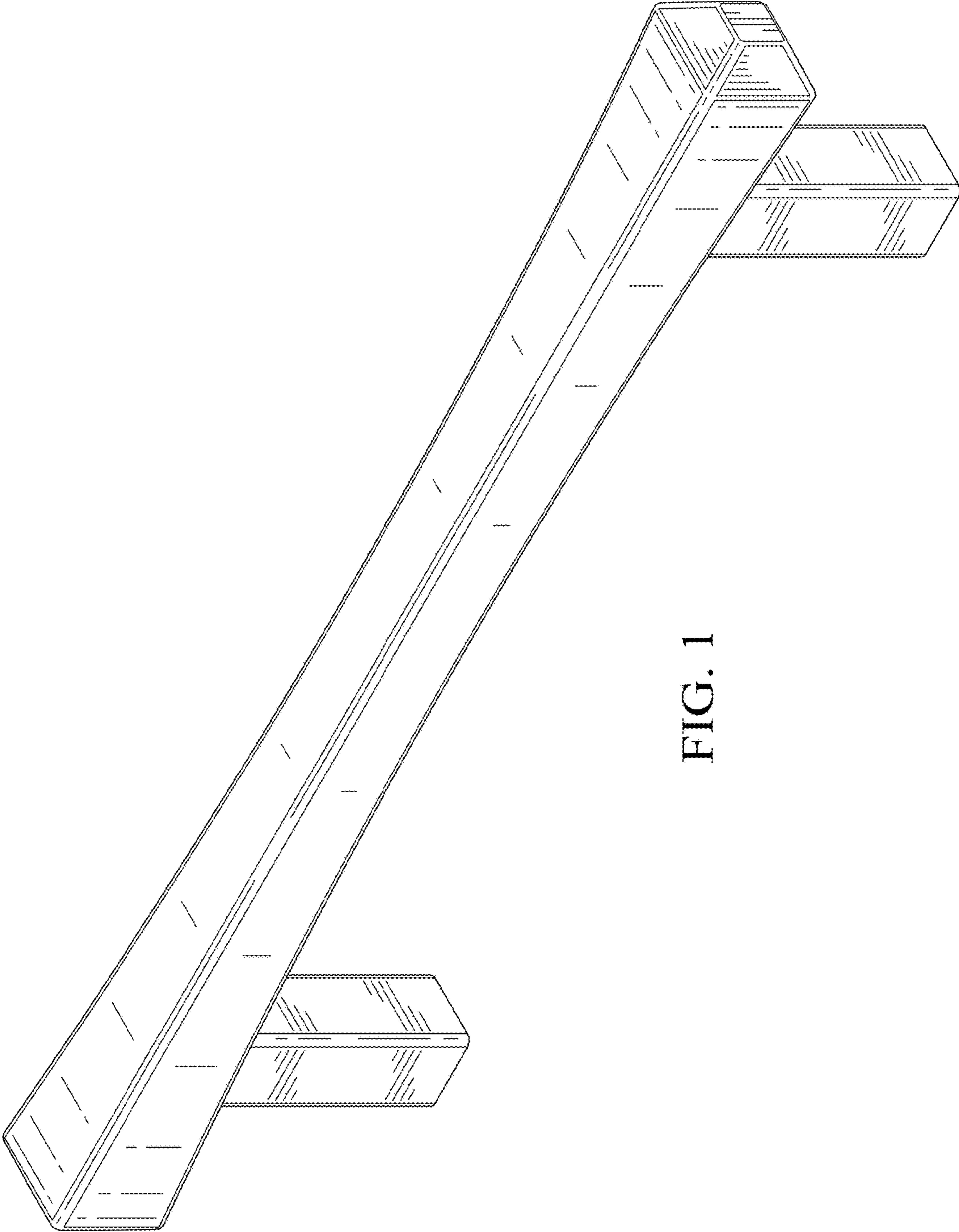


FIG. 1

FIG. 2

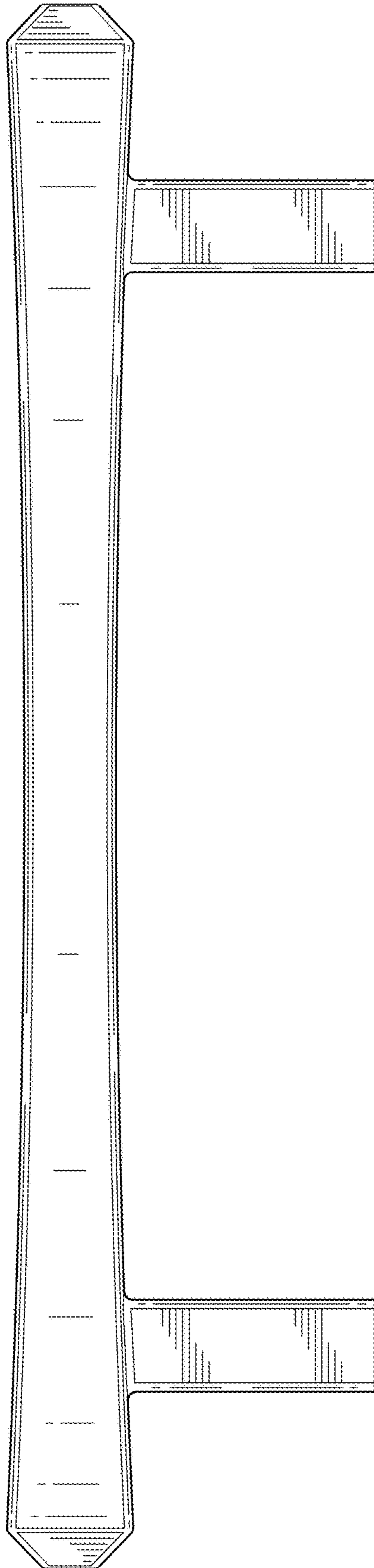
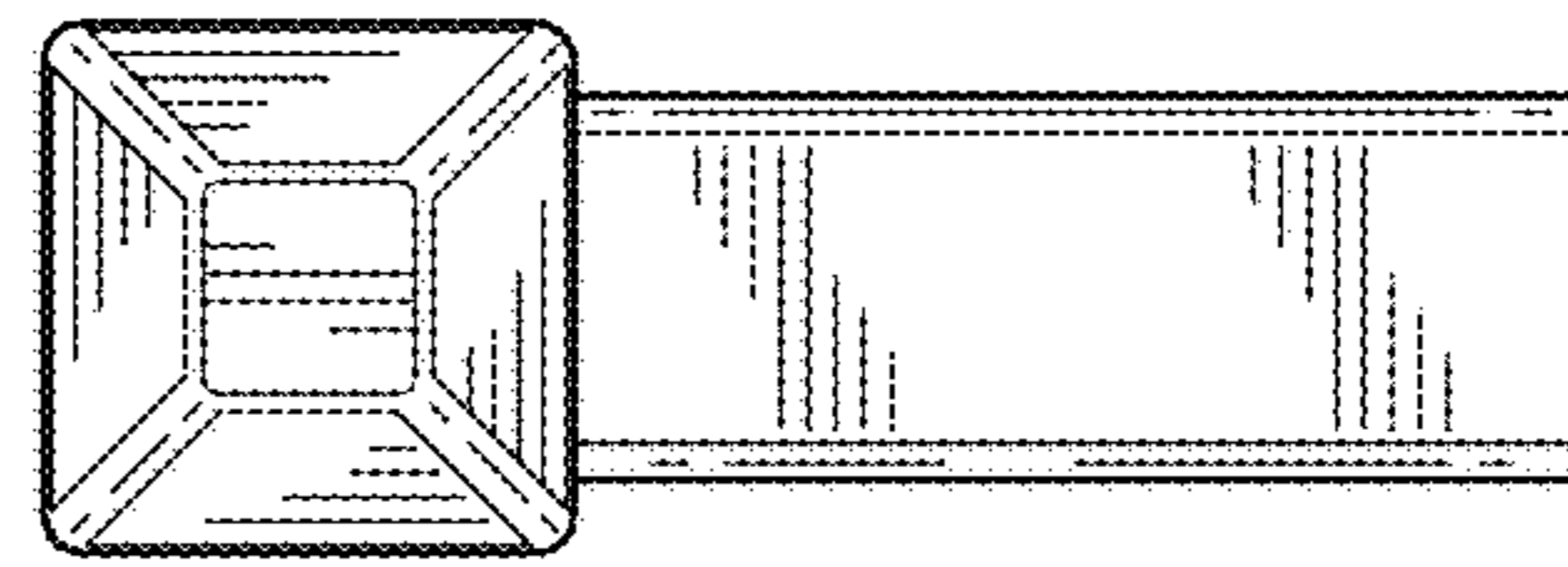


FIG. 3



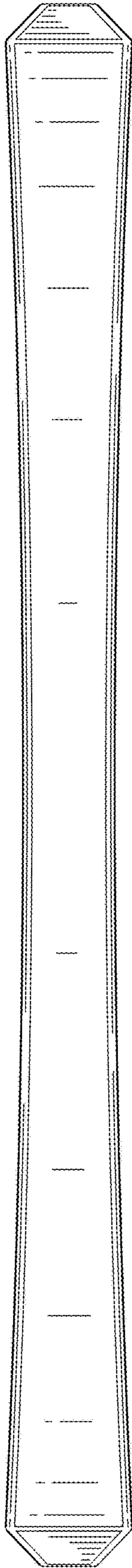


FIG. 4

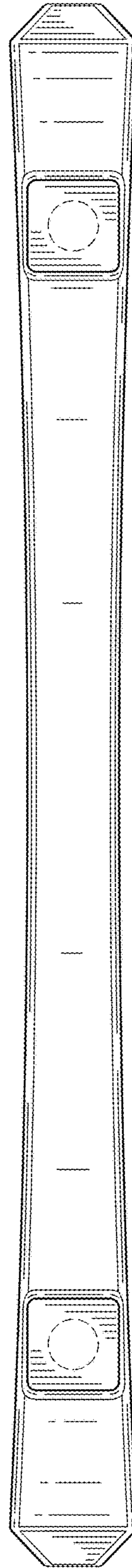


FIG. 5