



US00D779910S

(12) **United States Design Patent** (10) **Patent No.:** **US D779,910 S**  
**Paquette** (45) **Date of Patent:** **\*\* Feb. 28, 2017**

(54) **SCREEN DOOR OPENING FOOT HANDLE**  
(71) Applicant: **LES DISTRIBUTIONS PIPAQ ENR.,**  
St-Jerome, Quebec (CA)  
(72) Inventor: **Pierre Paquette, St-Jerome (CA)**  
(73) Assignee: **LES DISTRIBUTIONS PIPAQ ENR.,**  
St-Jerome, Quebec (CA)  
(\*\*) Term: **15 Years**  
(21) Appl. No.: **29/534,974**  
(22) Filed: **Aug. 3, 2015**

(30) **Foreign Application Priority Data**  
Feb. 19, 2015 (CA) ..... 161105  
(51) **LOC (10) Cl.** ..... **08-06**  
(52) **U.S. Cl.**  
USPC ..... **D8/308; D8/343**  
(58) **Field of Classification Search**  
USPC ..... D8/107, 300-309, 321, 330, 331, 343,  
D8/346, 347, 349; D23/250-254, 264;  
16/110.1, 412, 414, 417, 430, 441, 426,  
16/443, DIG. 21, DIG. 40; D21/694;  
D34/10, 11; D7/393, 394, 548; 70/95, 97,  
70/431, 445, 453, 454, 451; 74/553, 554,  
74/555, 556, 558, 543; 292/336.3, 347,  
292/348, 349, 350  
CPC .. Y10T 16/476; Y10T 16/466; Y10T 16/4713;  
Y10T 16/469; Y10T 16/44; Y10T  
74/20828; Y10T 279/17982; Y10T  
29/49826; Y10T 74/20732; Y10T  
74/20864; Y10T 16/4559; Y10T 408/96;  
Y10T 279/17957; Y10T 16/459; Y10T  
407/1825; Y10T 74/2078; Y10T  
74/20822; Y10T 29/53; Y10T  
29/537; B25G 1/102; B25G 1/00; B25G  
1/10; B25G 3/00; Y10S 16/12; Y10S  
16/19; Y10S 16/906; Y10S 56/18; B26B  
3/00; B26B 5/00; B26B 13/20; B26B 1/10  
See application file for complete search history.

(56) **References Cited**  
U.S. PATENT DOCUMENTS  
642,661 A 2/1900 Adams  
842,081 A 1/1907 Clark  
1,337,384 A 4/1920 Allen  
1,426,357 A \* 8/1922 Chambers ..... E05D 15/00  
16/412  
D93,856 S \* 11/1934 Van Doren ..... D8/327  
D203,813 S \* 2/1966 Courson ..... D8/308  
3,391,674 A 7/1968 Burleigh  
3,776,580 A \* 12/1973 James ..... E05C 19/066  
292/17  
4,130,311 A \* 12/1978 Sushan ..... E05B 17/2003  
292/346

(Continued)

**FOREIGN PATENT DOCUMENTS**

CA 2258366 A1 7/1999  
WO 2005004688 A2 1/2005

*Primary Examiner* — Derrick Holland  
*Assistant Examiner* — Lauren Calve  
(74) *Attorney, Agent, or Firm* — Fraser Clemens Martin  
& Miller LLC; James D. Miller

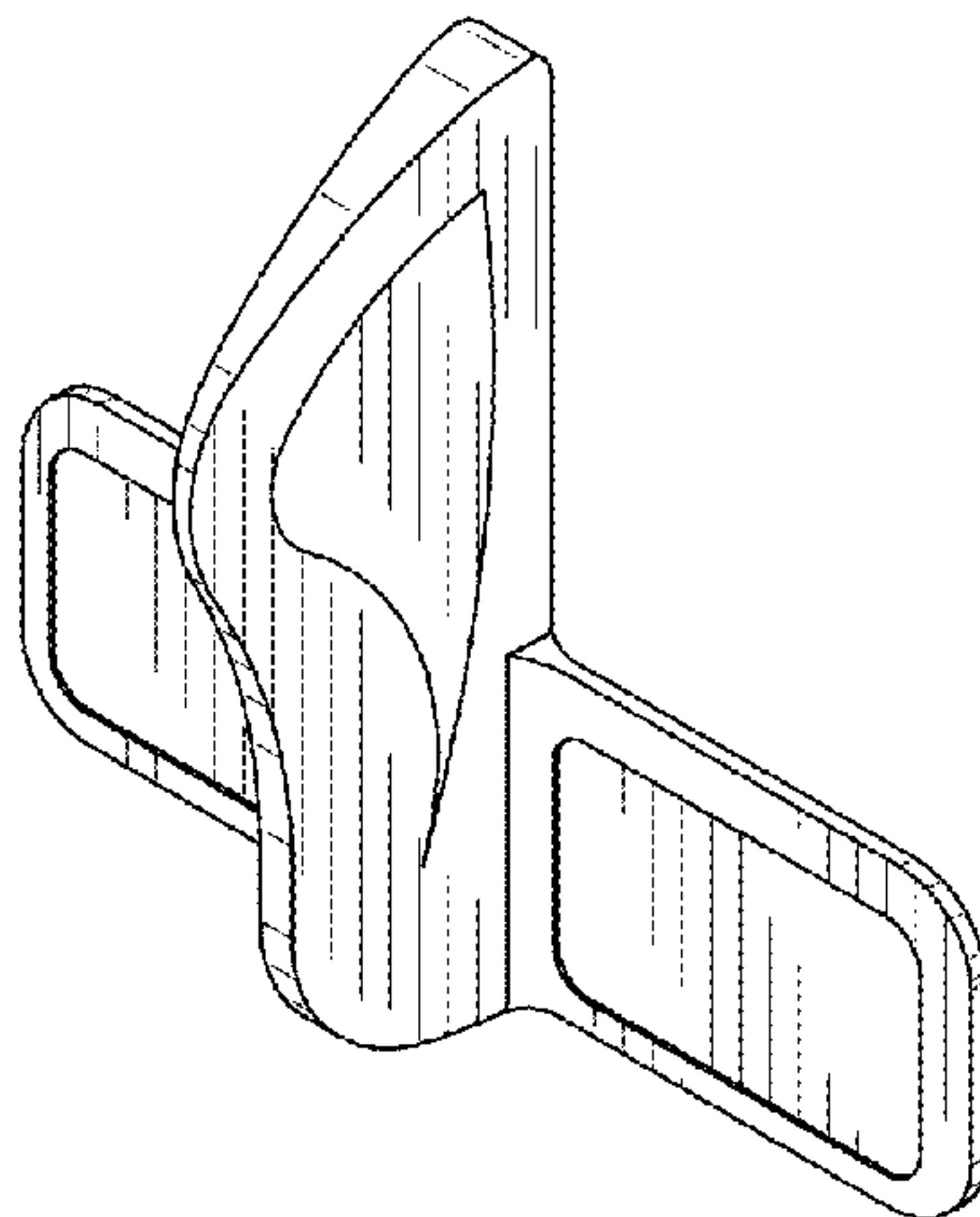
(57) **CLAIM**

The ornamental design for a screen door opening foot handle, as shown and described.

**DESCRIPTION**

FIG. 1 is a front perspective view of a screen door opening foot handle;  
FIG. 2 is a rear perspective view thereof;  
FIG. 3 is a front elevational view thereof;  
FIG. 4 is a right side elevational view thereof;  
FIG. 5 is a top plan view thereof;  
FIG. 6 is a rear elevational view thereof;  
FIG. 7 is a left side elevational view thereof; and,  
FIG. 8 is a bottom plan view thereof.  
The broken lines shown represent unclaimed subject matter and form no part of the claimed design.

**1 Claim, 3 Drawing Sheets**



(56)

**References Cited**

U.S. PATENT DOCUMENTS

4,170,885 A \* 10/1979 Lundgren ..... E05B 65/0894  
292/DIG. 46  
4,208,841 A 6/1980 Starks  
4,788,745 A 12/1988 Wallis et al.  
4,831,688 A \* 5/1989 Deininger ..... E05F 5/04  
16/319  
D351,781 S \* 10/1994 DeWitt ..... D8/343  
5,379,821 A 1/1995 Pergolizzi et al.  
5,927,018 A \* 7/1999 Thain ..... E05B 53/001  
16/86 R  
D425,399 S \* 5/2000 Alonso ..... D8/343  
6,067,690 A 5/2000 Herman  
6,189,183 B1 2/2001 Hartselle, III  
6,360,488 B1 3/2002 Darling  
D507,796 S \* 7/2005 Ohta ..... D14/456  
D661,969 S \* 6/2012 Biddle ..... D8/308  
D680,849 S \* 4/2013 Berger ..... D8/308  
2005/0005402 A1 \* 1/2005 Moody ..... E05B 53/001  
16/413

\* cited by examiner

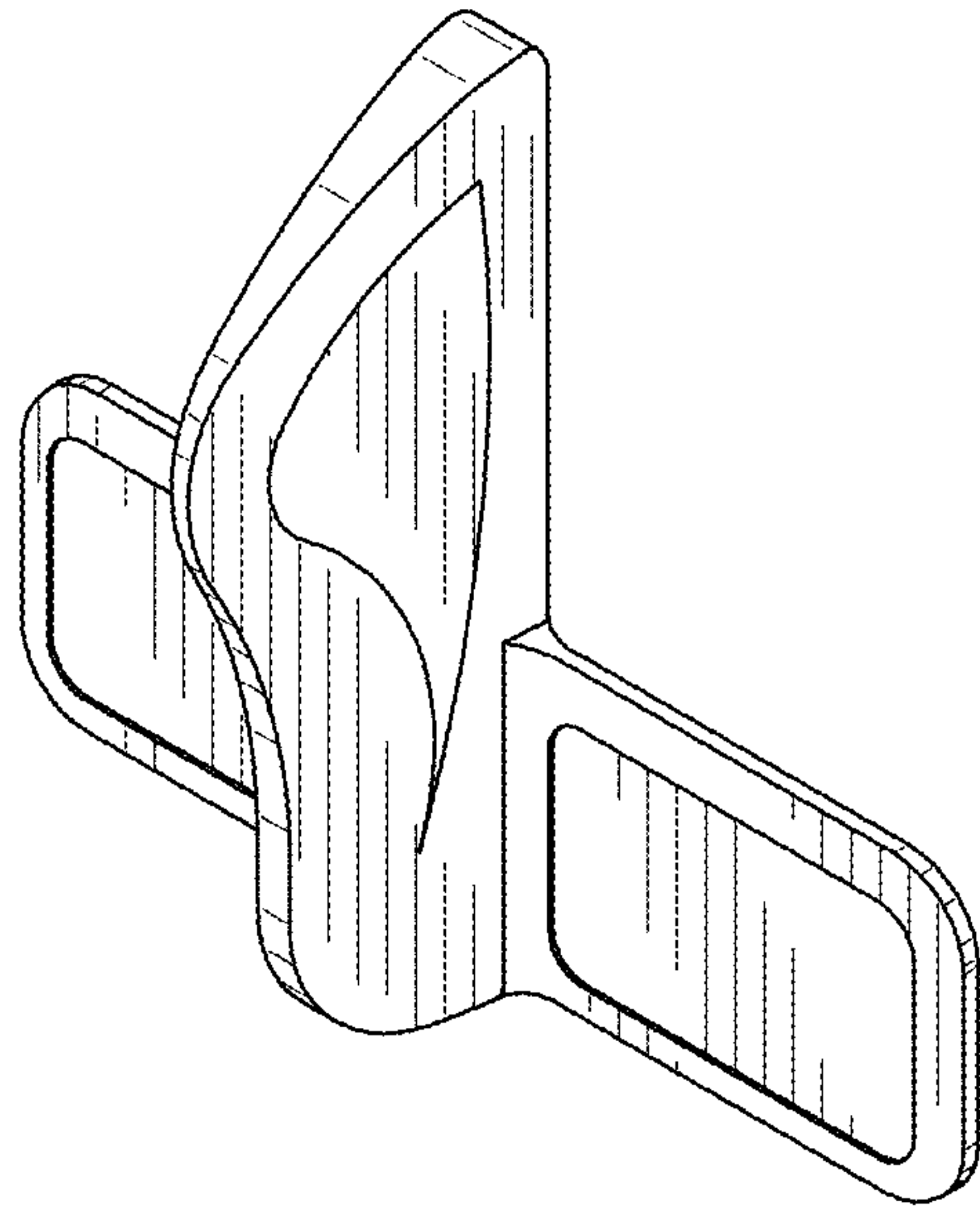


Fig. 1

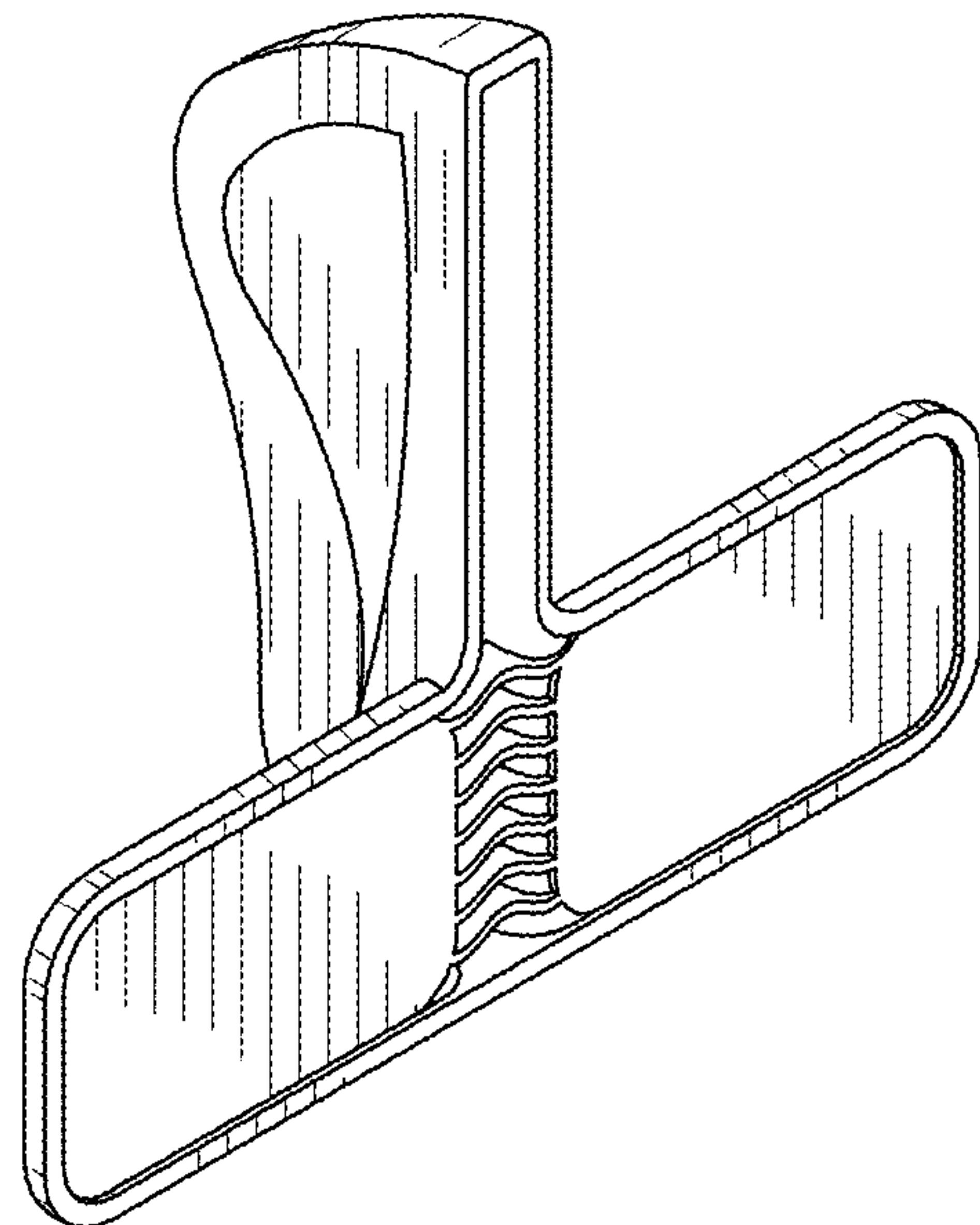


Fig. 2

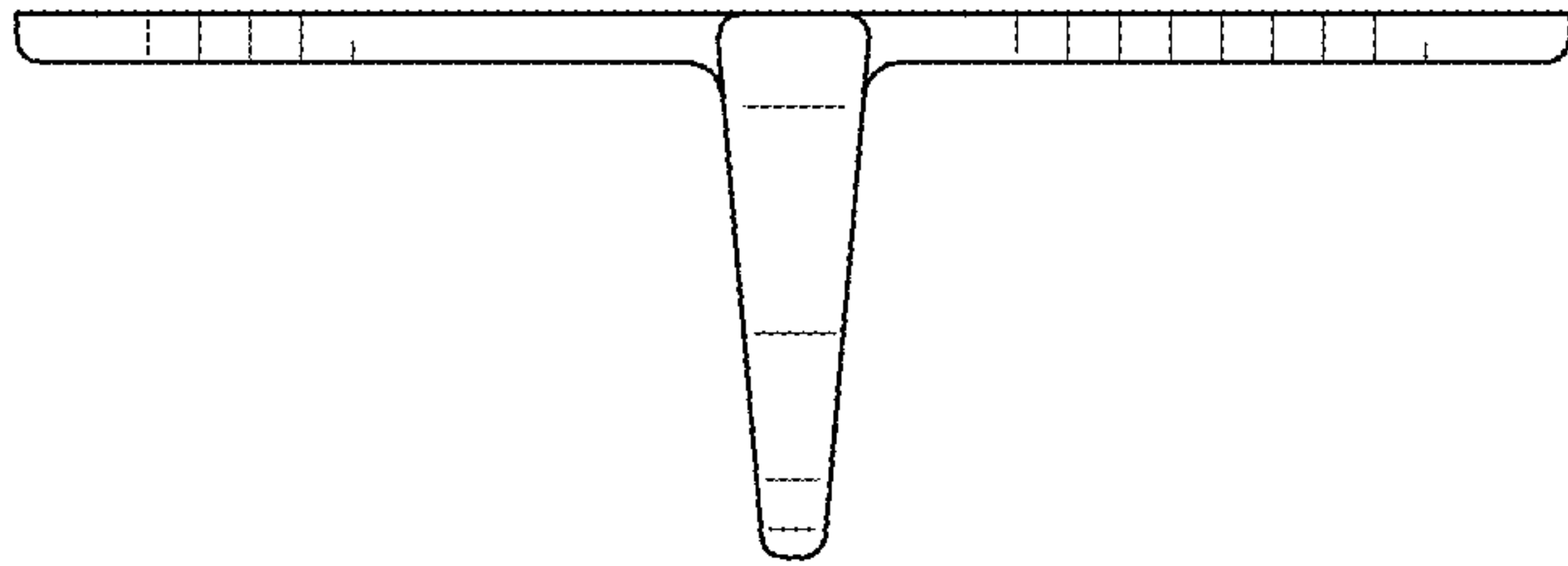


Fig. 5

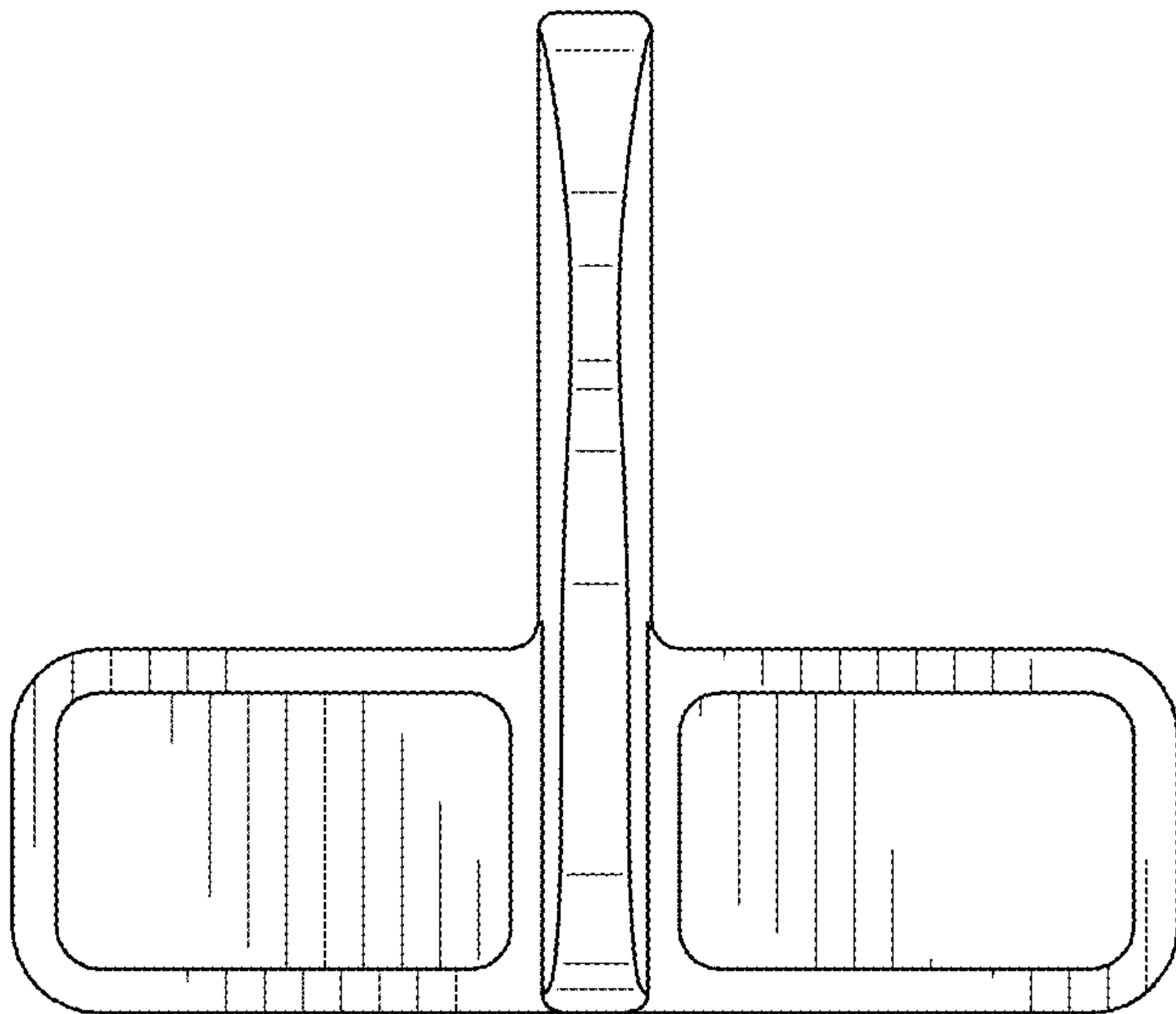


Fig. 3

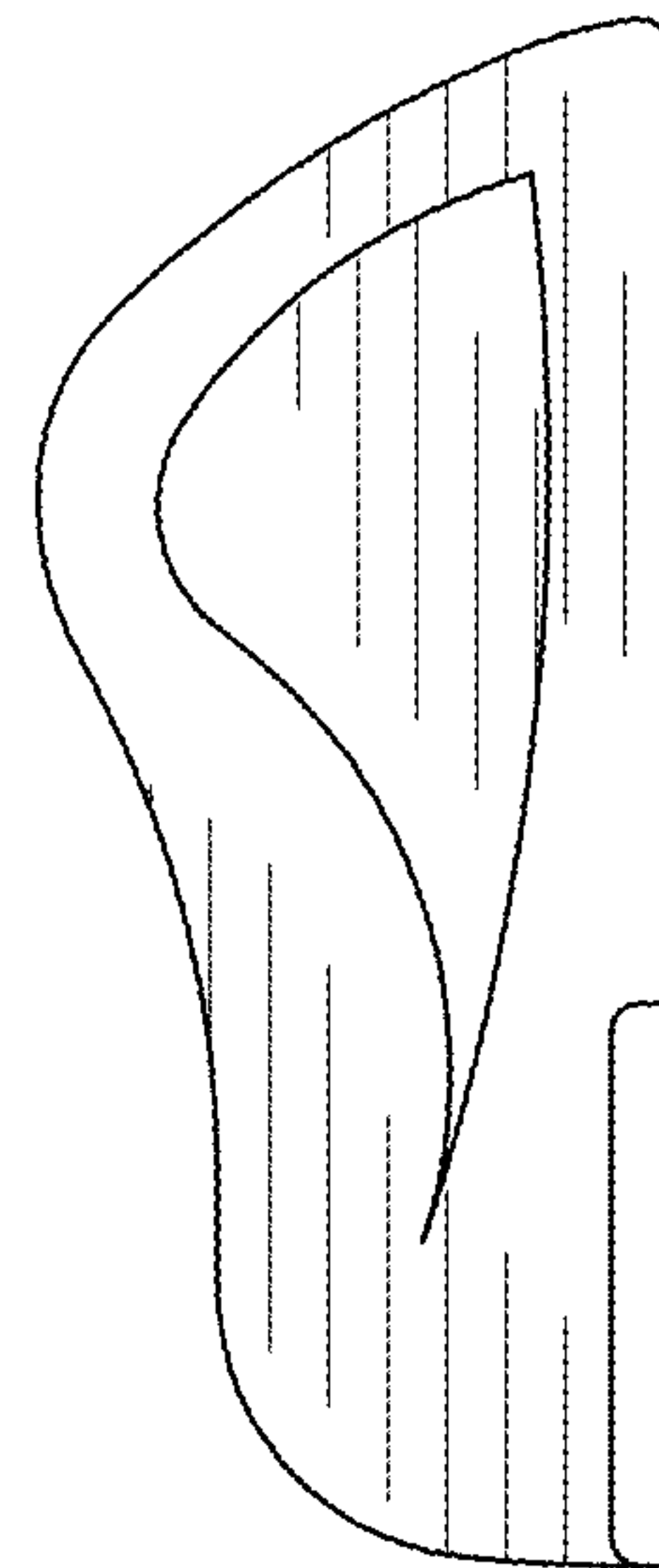


Fig. 4

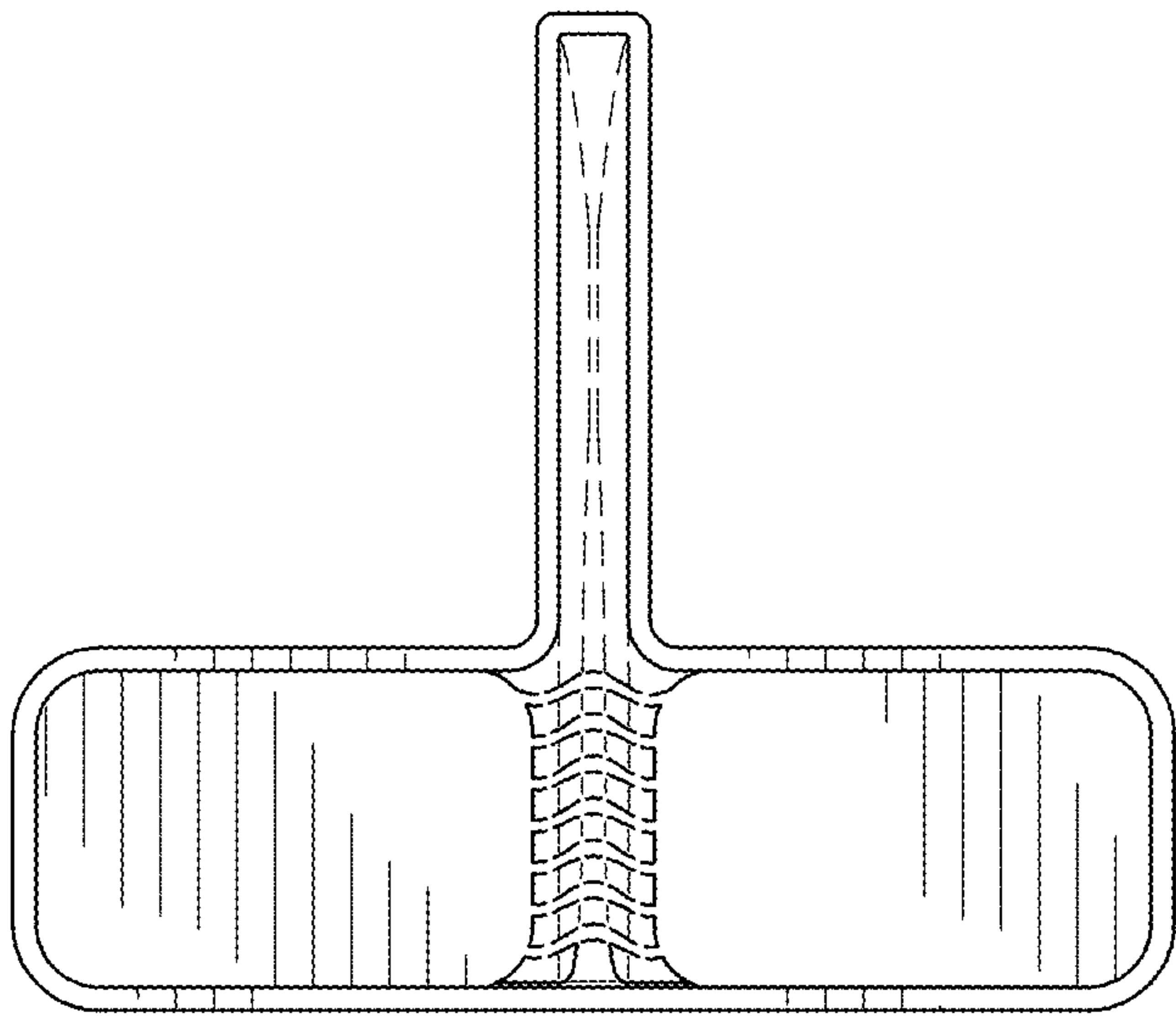


Fig. 6



Fig. 7

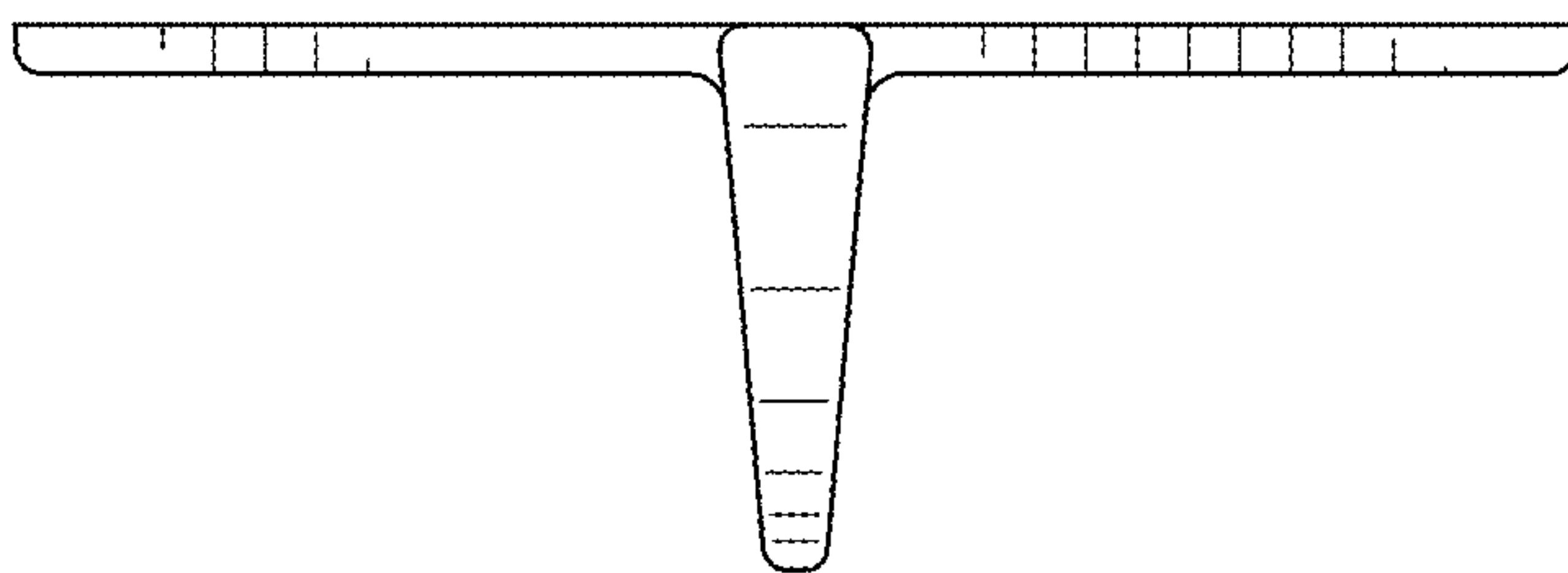


Fig. 8