



US00D779909S

(12) **United States Design Patent** (10) **Patent No.:** **US D779,909 S**
Sheppard (45) **Date of Patent:** **** Feb. 28, 2017**

(54) **TAB HANDLE**

(71) Applicant: **Canburg Limited**, Wiltshire (GB)

(72) Inventor: **Peter Ralph Sheppard**, London (GB)

(73) Assignee: **Canburg Limited**, Devizes, Wiltshire (GB)

(**) Term: **14 Years**

(21) Appl. No.: **29/502,924**

(22) Filed: **Sep. 22, 2014**

(51) **LOC (10) Cl.** **08-06**

(52) **U.S. Cl.**
USPC **D8/307**

(58) **Field of Classification Search**
USPC D8/300–302, 313–320, DIG. 1; D23/250, D23/254; D6/546, 549; D7/393, 394, D7/402; 16/110.1, 412, 413, 415, 419, 16/422, 424, 425, DIG. 19; D15/89; D3/318, 328
CPC Y10T 16/469; Y10T 16/44; Y10T 16/458; Y10T 16/498; Y10T 16/476; Y10T 16/459; Y10T 16/466; Y10T 16/4713; Y10T 16/4644; Y10T 16/513; Y10T 16/509; Y10T 16/473; Y10T 16/462; Y10T 16/4701; Y10T 74/20732; Y10T 29/49826; Y10T 16/4719; Y10T 16/455; Y10T 16/4559; Y10T 74/20828; Y10T 74/20738; Y10T 74/20762; Y10T 16/4628; Y10T 74/20864; Y10T 16/4567; Y10T 16/4576; Y10T 16/501; Y10T 16/86

See application file for complete search history.

(56) **References Cited**

U.S. PATENT DOCUMENTS

3,550,412	A *	12/1970	Silverman	E05C 5/04 292/251
5,921,119	A *	7/1999	Myers	E05B 5/003 292/336.3
D441,633	S *	5/2001	Jenks	D8/307
D488,988	S *	4/2004	Draffehn	D8/307
D657,653	S *	4/2012	Pettus	D8/307
D670,992	S *	11/2012	Gauthia	D8/307
D706,109	S *	6/2014	McGarrity	D8/307
D723,901	S *	3/2015	Holtman	D8/307
D741,139	S *	10/2015	Sheppard	D8/319
D749,922	S *	2/2016	Masalin	D8/10

* cited by examiner

Primary Examiner — Derrick Holland

Assistant Examiner — Lauren Calve

(74) *Attorney, Agent, or Firm* — Gesmer Updegrove LLP

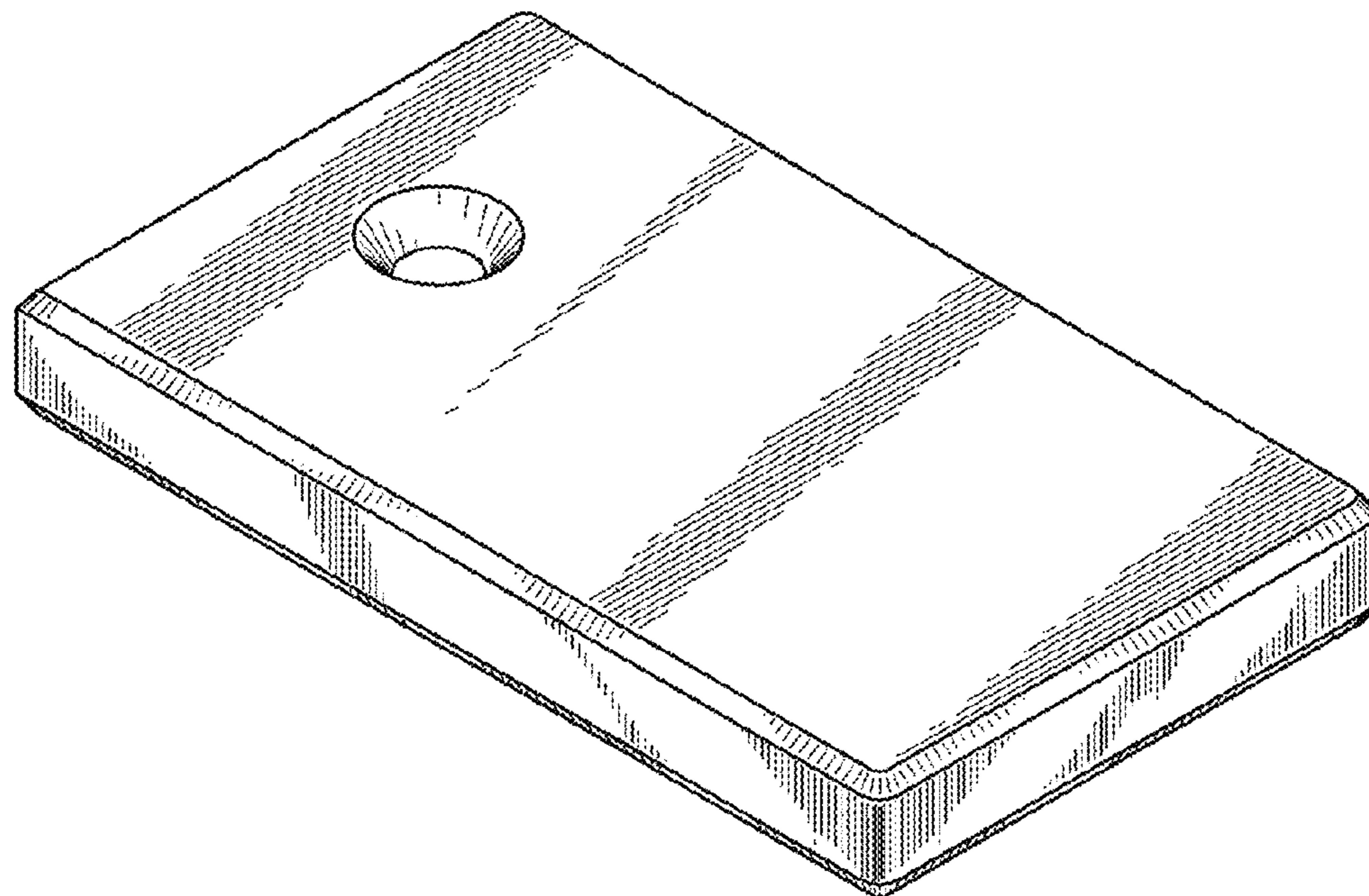
(57) **CLAIM**

What is claimed is the ornamental design for a tab handle, as shown and described.

DESCRIPTION

FIG. 1 is a perspective view of a tab handle; FIG. 2 is a front view of the tab handle of FIG. 1; FIG. 3 is a back view of the tab handle of FIG. 1; FIG. 4 is a left side view of the tab handle of FIG. 1; FIG. 5 is a right side view of the tab handle of FIG. 1; FIG. 6 is a top view of the tab handle of FIG. 1; and, FIG. 7 is a bottom view of the tab handle of FIG. 1.

1 Claim, 2 Drawing Sheets



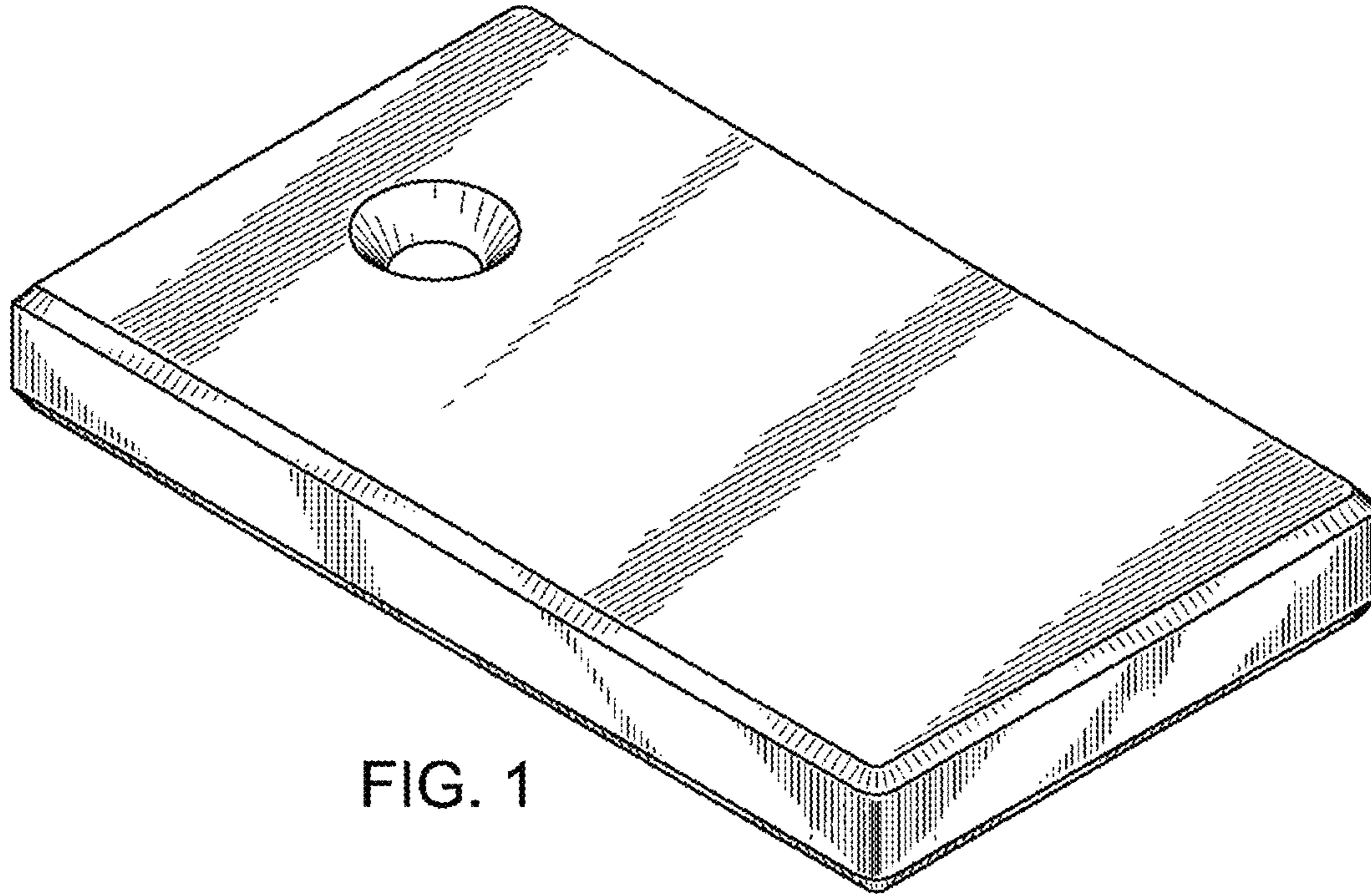


FIG. 1



FIG. 2



FIG. 3

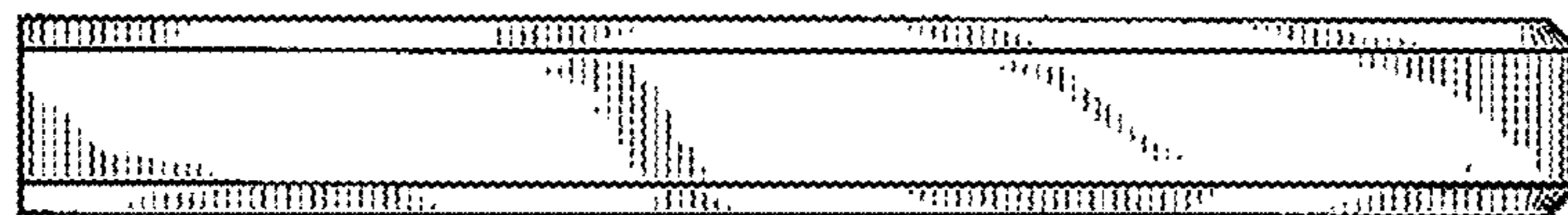


FIG. 4



FIG. 5

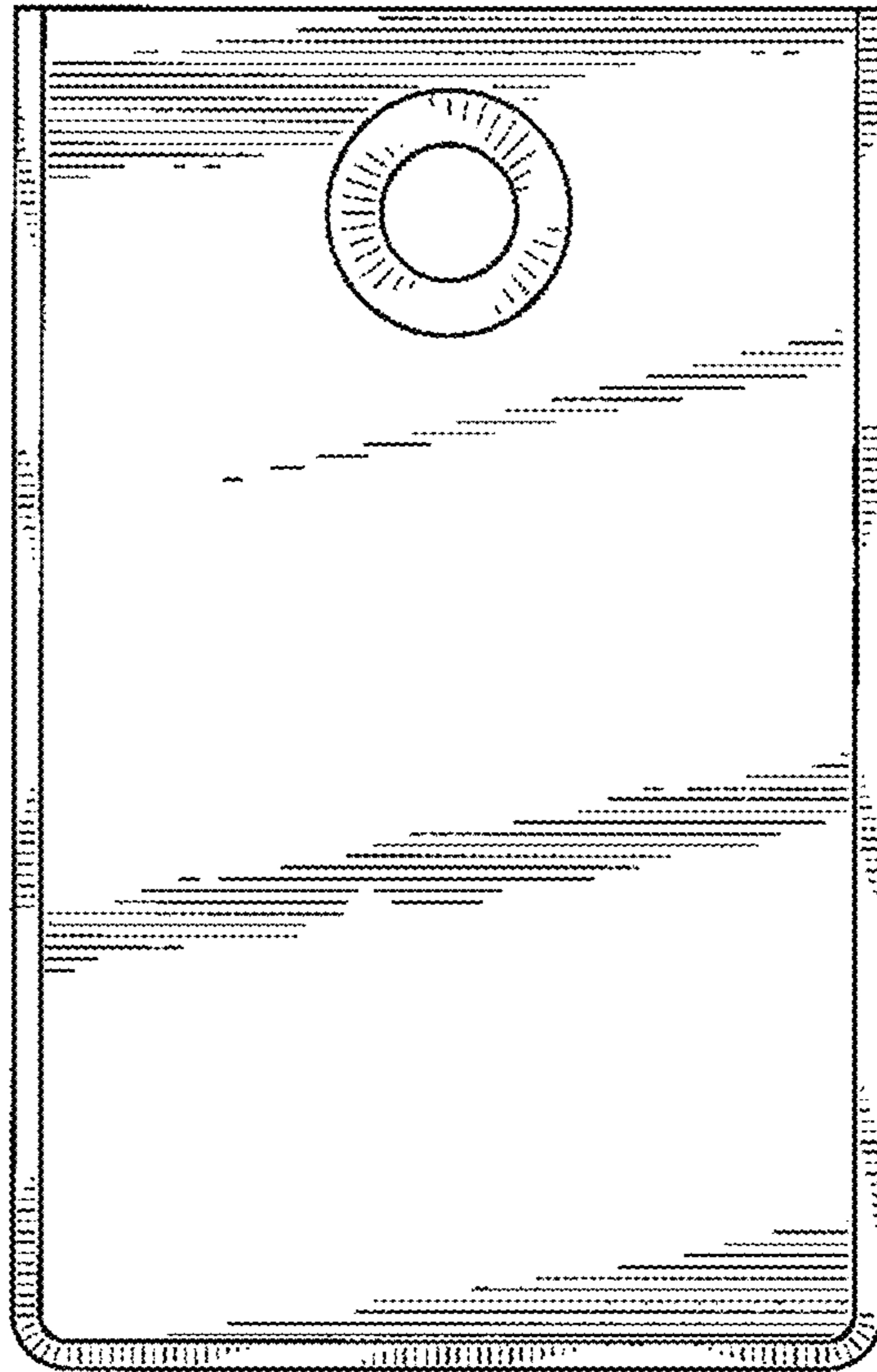


FIG. 6

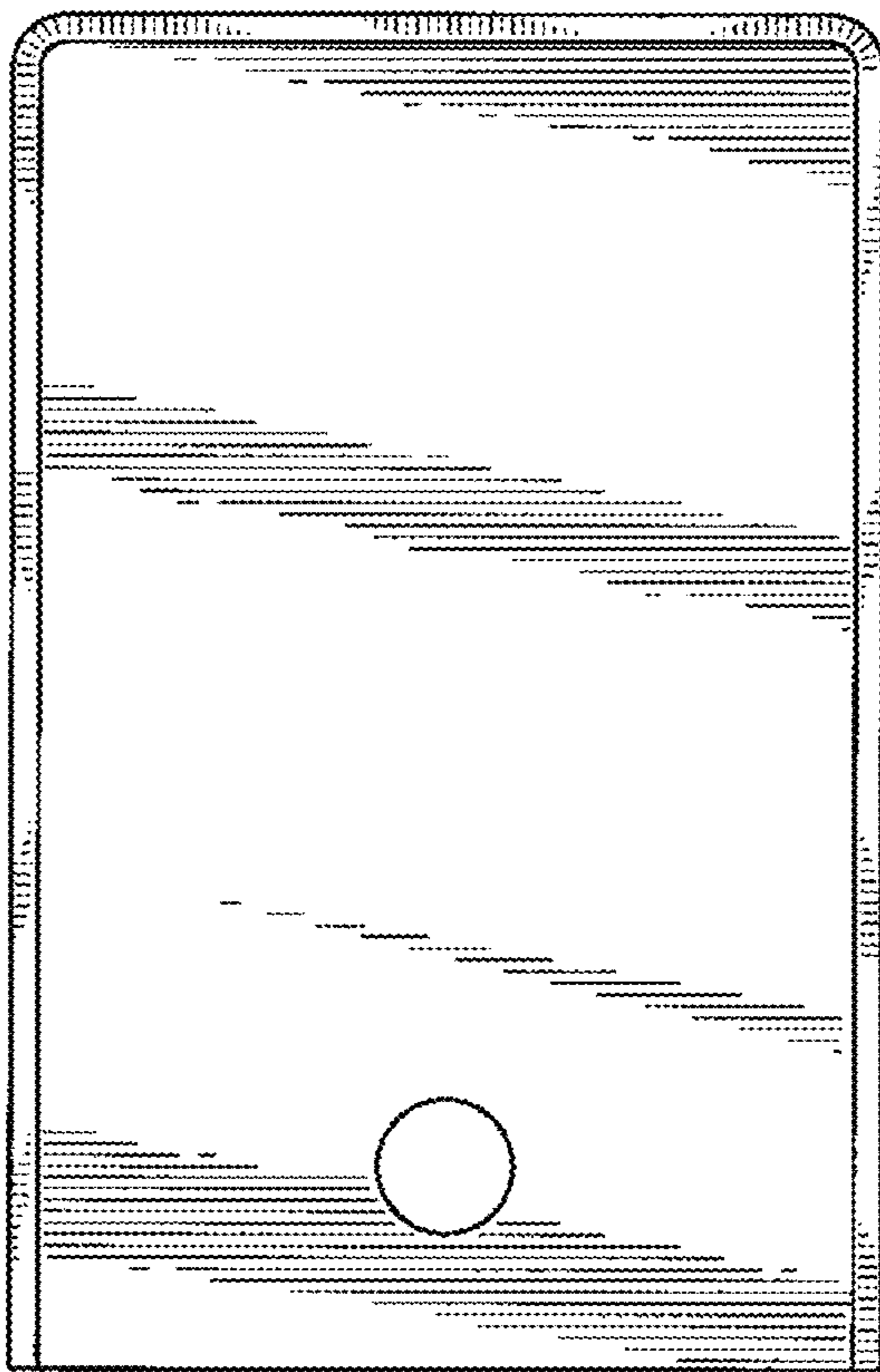


FIG. 7