



US00D779908S

(12) **United States Design Patent** (10) **Patent No.:** **US D779,908 S**  
**Le** (45) **Date of Patent:** **\*\* Feb. 28, 2017**

(54) **PADLOCKABLE T-HANDLE**  
(71) Applicant: **S.P.E.P. ACQUISITION CORP.**, Long Beach, CA (US)  
(72) Inventor: **Tam Le**, Santa Ana, CA (US)  
(73) Assignee: **S.P.E.P. ACQUISITION CORP.**, Long Beach, CA (US)

(\*\*) Term: **14 Years**  
(21) Appl. No.: **29/526,267**

(22) Filed: **May 7, 2015**  
(51) **LOC (10) Cl.** ..... **08-06**  
(52) **U.S. Cl.**  
USPC ..... **D8/306**

(58) **Field of Classification Search**  
USPC ..... D8/300, 301, 302, 306, 313, 336, 337, D8/338, 350, 352; D23/254; 16/110.1; 70/28, 91, 207, 208, 211; 292/131, 336.3, 292/347, DIG. 12, DIG. 30, DIG. 31  
CPC ... Y10T 292/57; Y10T 16/44; Y10T 70/5155; Y10T 70/5832; Y10T 292/1047; Y10T 16/458; Y10T 70/5757; Y10T 16/476; Y10T 70/8541; Y10T 70/5765; Y10T 74/20732; Y10T 16/473; Y10T 292/1089; Y10T 292/865; Y10T 70/7305; Y10T 292/097; Y10T 292/0938; Y10T 16/509; Y10T 292/0834; Y10T 292/1014; Y10T 292/0959; Y10T 292/308; Y10T 70/489; Y10T 74/20876; Y10T 70/80; Y10T 74/20828; Y10T 70/8459; Y10T 74/20864; Y10T 292/1064  
See application file for complete search history.

(56) **References Cited**  
U.S. PATENT DOCUMENTS  
D94,405 S \* 1/1935 Carlson ..... D8/302  
D94,406 S \* 1/1935 Carlson ..... D8/302

D94,408 S \* 1/1935 Carlson ..... D8/302  
D442,844 S \* 5/2001 Mirick ..... D8/301  
D469,331 S \* 1/2003 Hansen ..... D8/306  
6,623,052 B2 \* 9/2003 Hansen ..... E05B 1/0092  
292/336.3  
D505,310 S \* 5/2005 Lorusso ..... D8/302  
D572,999 S \* 7/2008 Gulley ..... D8/306  
D574,213 S \* 8/2008 Linares ..... D8/300  
D581,243 S \* 11/2008 Gulley ..... D8/301  
7,454,933 B1 \* 11/2008 Paige ..... E05B 1/0092  
292/207

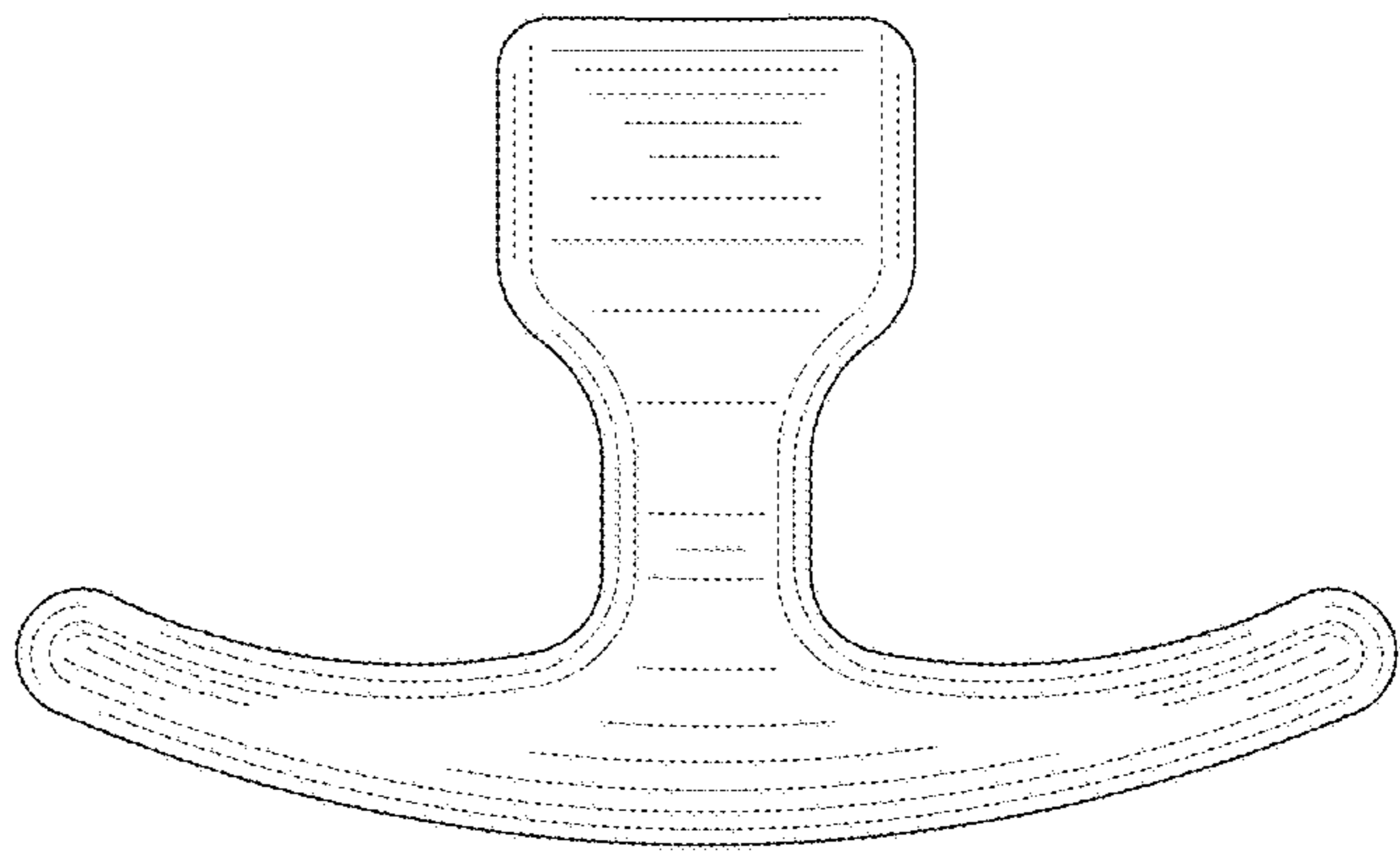
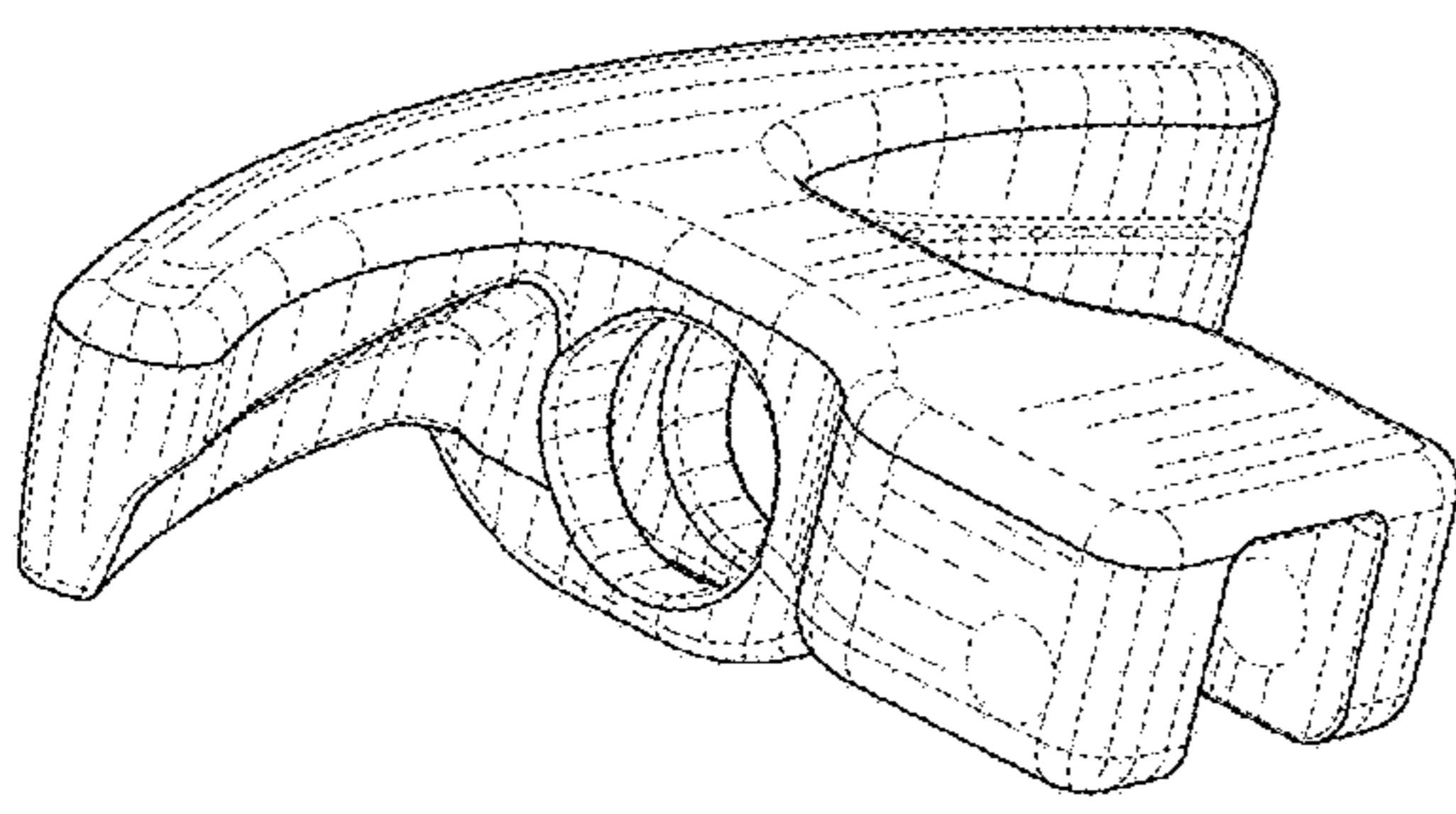
(Continued)

*Primary Examiner* — Derrick Holland  
*Assistant Examiner* — Lauren Calve  
(74) *Attorney, Agent, or Firm* — Karish & Bjorgum, PC

(57) **CLAIM**  
The ornamental design for a padlockable T-handle, as shown and described.

**DESCRIPTION**  
FIG. 1 is a front isometric view of a padlockable T-handle of the invention.  
FIG. 2 is a rear isometric view of the padlockable T-handle of FIG. 1.  
FIG. 3 is a front view of the padlockable T-handle of FIG. 1.  
FIG. 4 is a rear view of the padlockable T-handle of FIG. 1.  
FIG. 5 is a right side view of the padlockable T-handle of FIG. 1, the left side view being a mirror image thereof.  
FIG. 6 is a top view of the padlockable T-handle of FIG. 1; and,  
FIG. 7 is a bottom view of the padlockable T-handle of FIG. 1.  
The broken lines shown represent unclaimed subject matter and form no part of the claimed design.

**1 Claim, 3 Drawing Sheets**



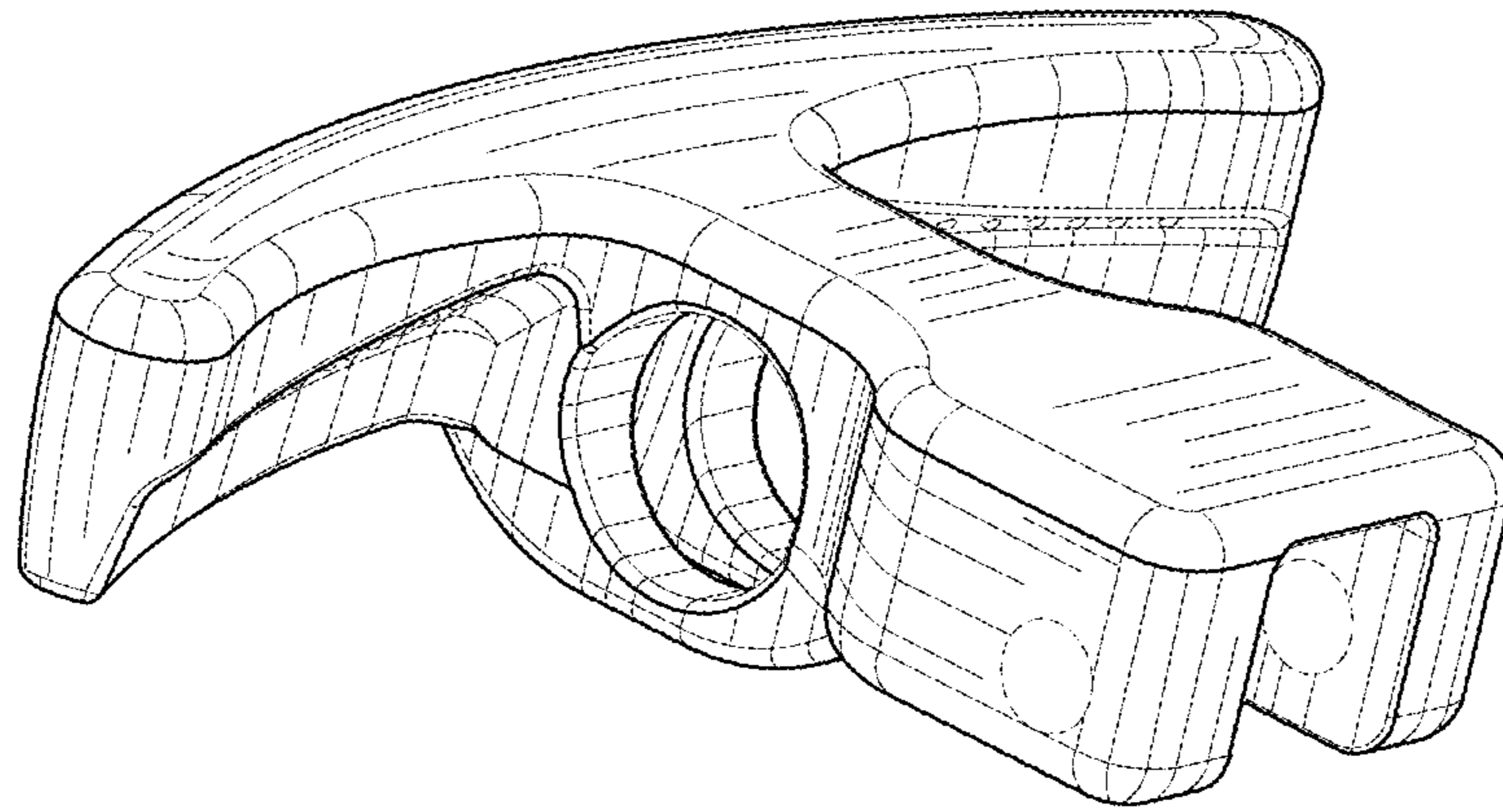
(56)

**References Cited**

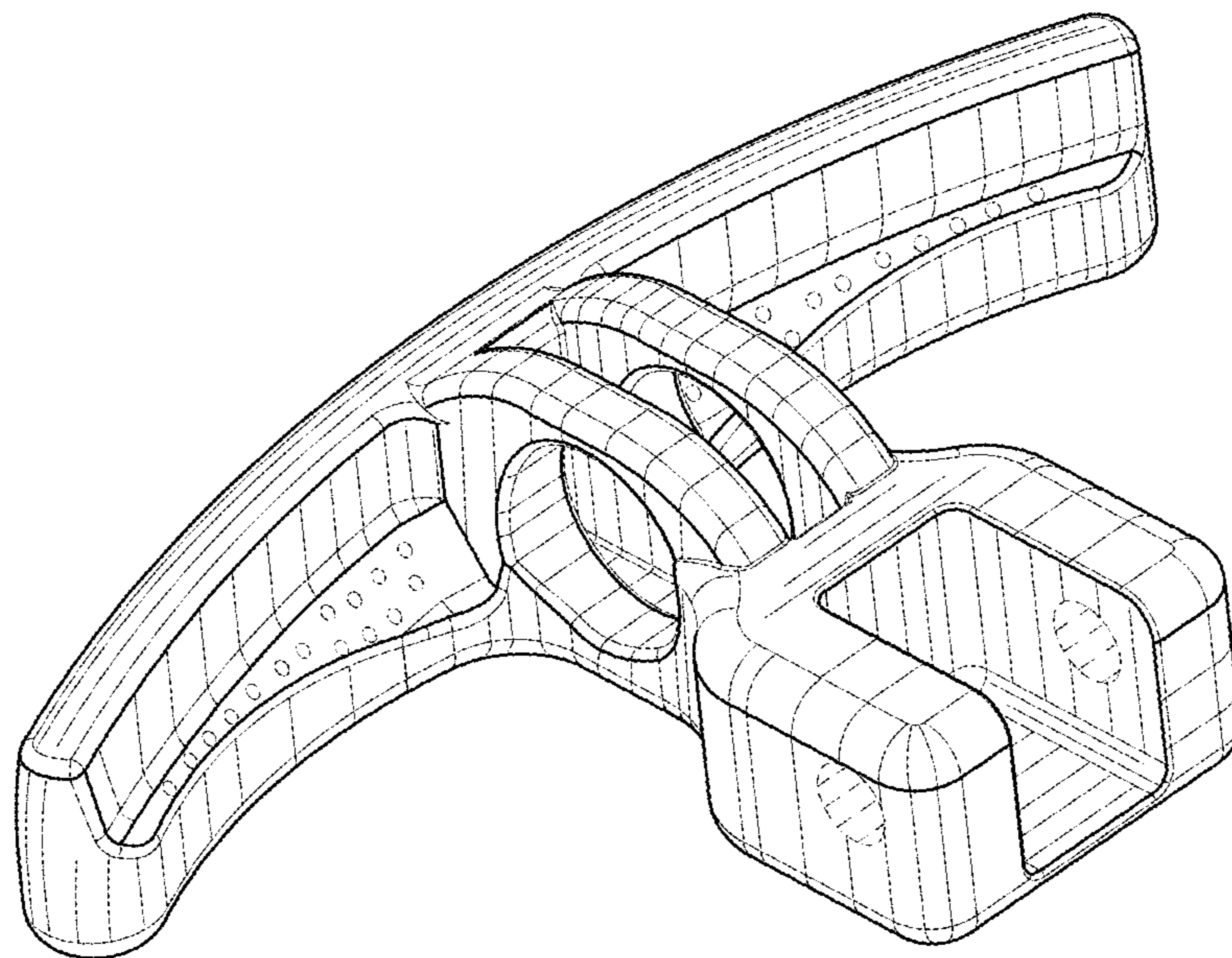
U.S. PATENT DOCUMENTS

D587,558	S *	3/2009	Sarnowski .....	D8/301
D605,024	S *	12/2009	Cotton .....	D8/302
D622,126	S *	8/2010	Burns .....	D8/302
D624,803	S *	10/2010	Frankham .....	D8/331
D632,157	S *	2/2011	Le .....	D8/306
D644,911	S *	9/2011	Le .....	D8/301
2005/0099021	A1 *	5/2005	Jinzu .....	E05B 83/26 292/336.3
2015/0218853	A1 *	8/2015	Higgins .....	E05B 83/26 292/336.3

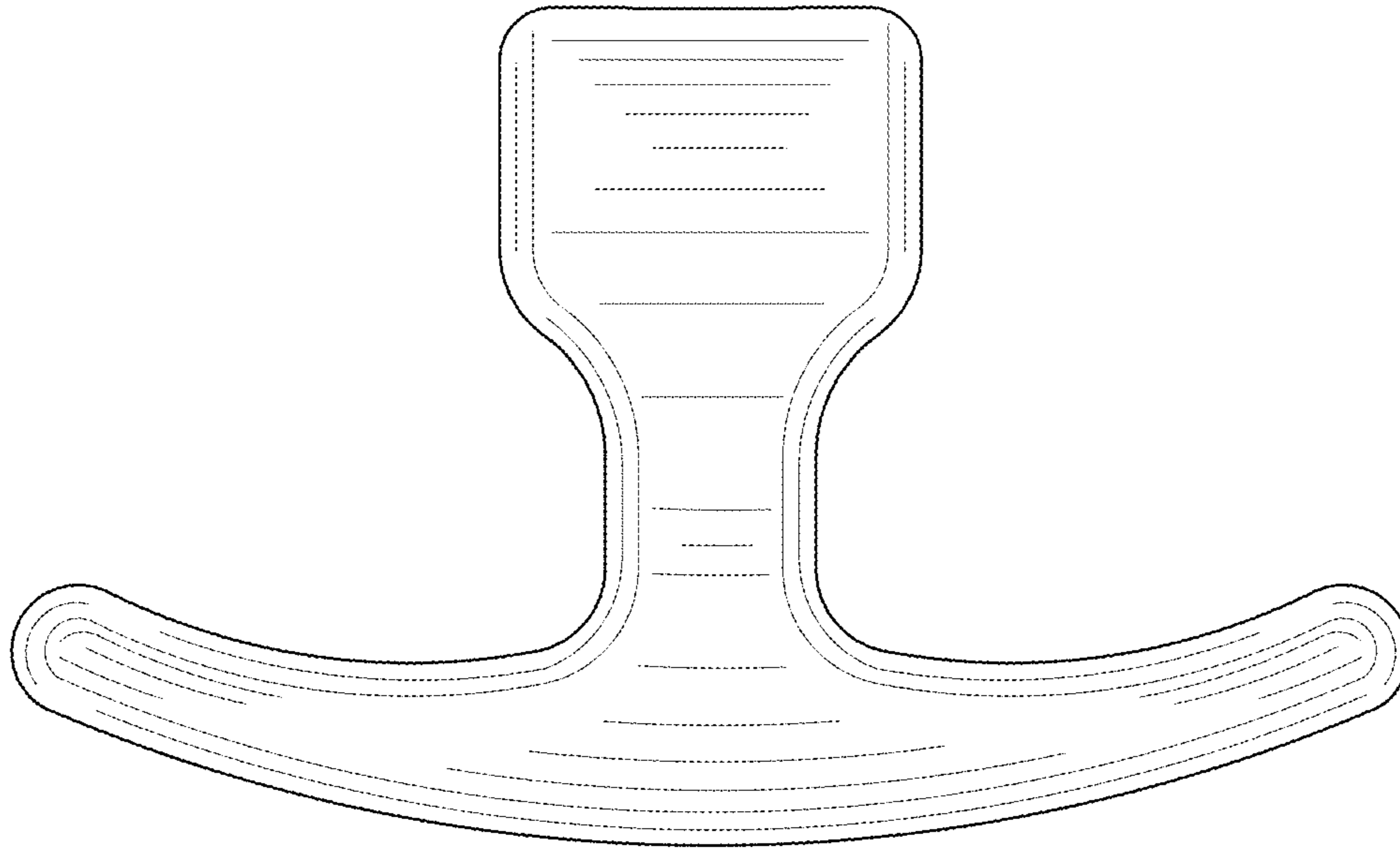
\* cited by examiner



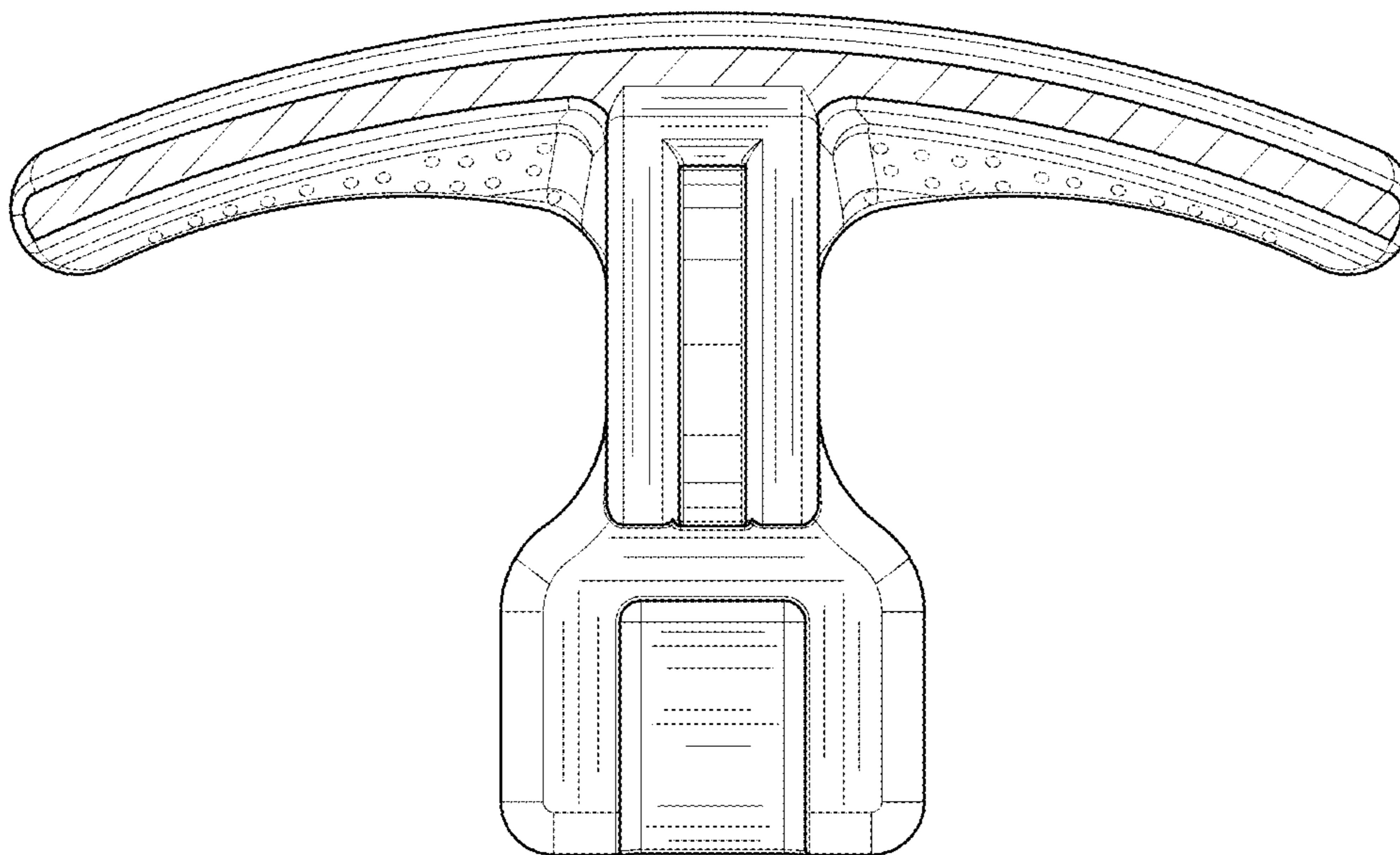
*FIG. 1*



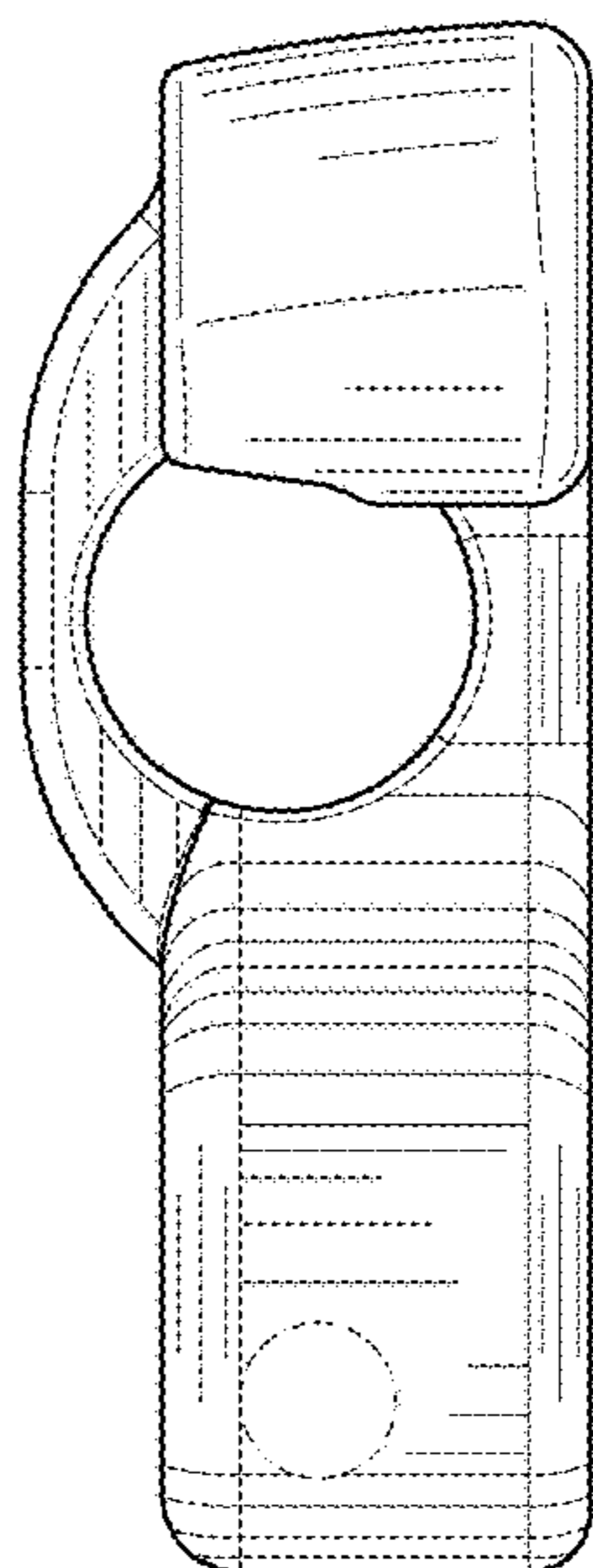
*FIG. 2*



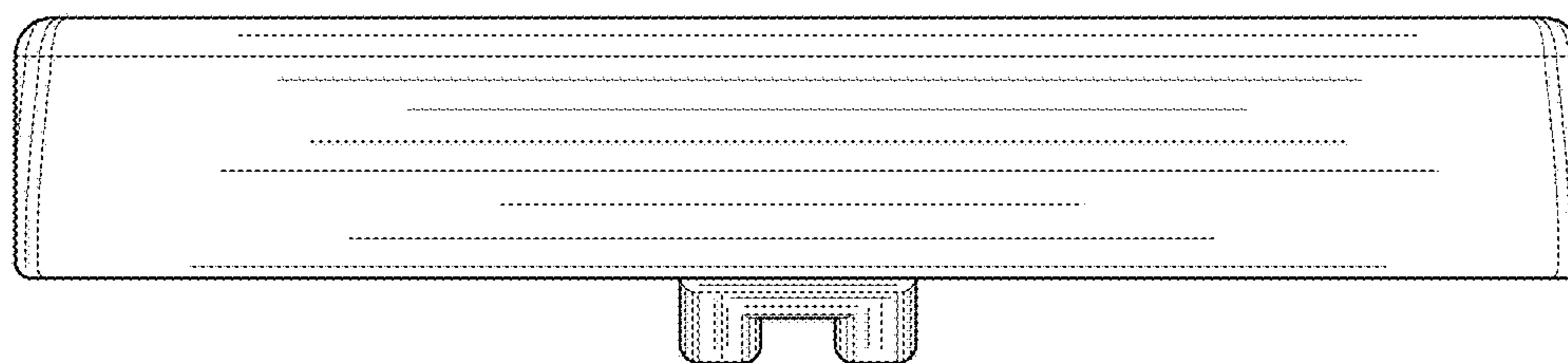
*FIG. 3*



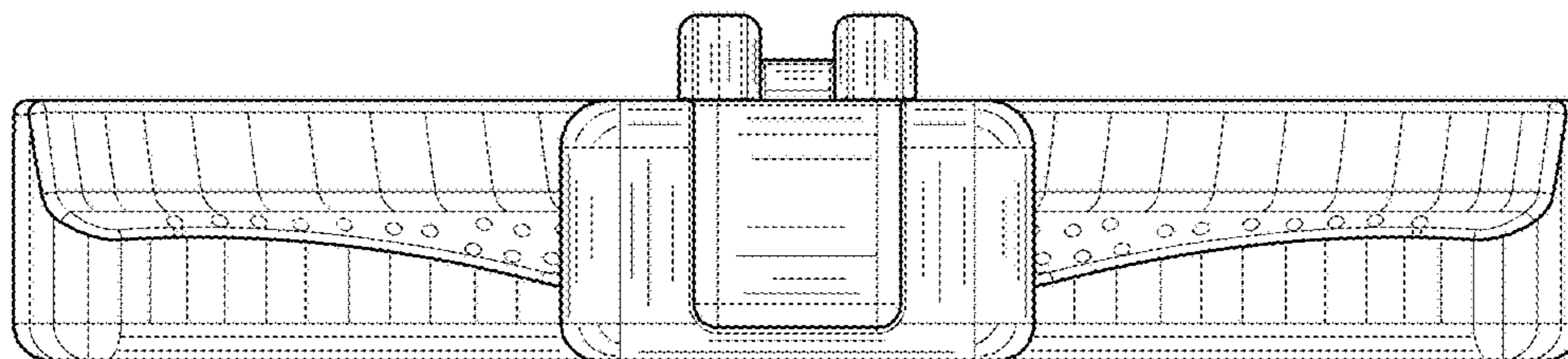
*FIG. 4*



*FIG. 5*



*FIG. 6*



*FIG. 7*