



US00D779907S

(12) **United States Design Patent** (10) **Patent No.:** **US D779,907 S**  
**Nelson** (45) **Date of Patent:** **\*\* Feb. 28, 2017**

(54) **TOOL HANDLE**  
(71) Applicant: **Home Depot Product Authority, LLC,**  
Atlanta, GA (US)  
(72) Inventor: **Michael Nelson,** Peachtree City, GA  
(US)  
(73) Assignee: **Home Depot Product Authority, LLC,**  
Atlanta, GA (US)  
(\*\*) Term: **15 Years**

D532,278 S 11/2006 Shih  
D558,009 S \* 12/2007 Kinskey ..... D8/25  
D560,426 S 1/2008 Prakasa  
D564,328 S \* 3/2008 Smith ..... D8/99  
D572,106 S \* 7/2008 Chen ..... D8/81  
D576,858 S \* 9/2008 Ebihara ..... D8/107  
D607,708 S 1/2010 Himbert  
D610,433 S 2/2010 Garcia  
D610,895 S 3/2010 Garcia  
D614,930 S \* 5/2010 Garcia ..... D8/83  
D617,169 S \* 6/2010 Robinson ..... D8/107  
D621,237 S \* 8/2010 Papenfuss ..... D8/107  
D626,396 S \* 11/2010 Gehman ..... D8/81

(Continued)

(21) Appl. No.: **29/558,801**  
(22) Filed: **Mar. 22, 2016**

*Primary Examiner* — Philip S Hyder  
*Assistant Examiner* — Roselynn Cody  
(74) *Attorney, Agent, or Firm* — Greenberg Traurig, LLP

**Related U.S. Application Data**

(62) Division of application No. 29/488,948, filed on Apr. 24, 2014, now Pat. No. Des. 754,511.

(51) **LOC (10) Cl.** ..... **08-02**  
(52) **U.S. Cl.**  
USPC ..... **D8/80**

(58) **Field of Classification Search**  
USPC ..... D8/75-81, 107, 303, 307; D22/117;  
81/19-26, 489-490; 254/26 R; D7/395  
CPC .... B23K 9/28; B25F 1/00; B25D 1/00; B25D  
1/02; B25D 1/04; B25D 1/045; B25D  
1/06; B25D 1/12; B25G 1/02  
See application file for complete search history.

(56) **References Cited**

**U.S. PATENT DOCUMENTS**

D463,725 S \* 10/2002 Wroblewski ..... D8/77  
D465,987 S \* 11/2002 Lin ..... D8/107  
D481,611 S \* 11/2003 Hung ..... D8/107  
D519,017 S \* 4/2006 Hsieh ..... D8/80  
D532,277 S 11/2006 Shih

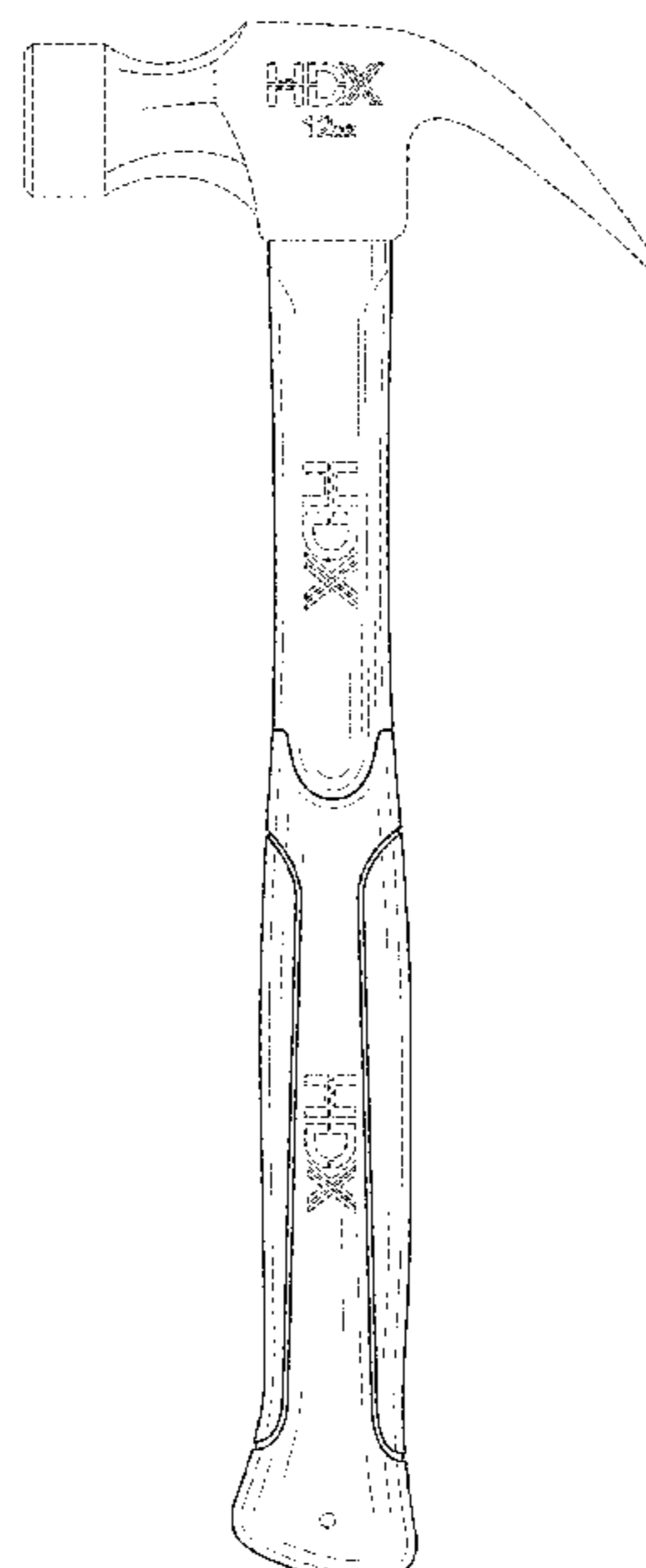
(57) **CLAIM**

The ornamental design for a tool handle, as shown and described.

**DESCRIPTION**

FIG. 1 is a perspective view of my tool handle;  
FIG. 2 is a side view thereof;  
FIG. 3 is another side view thereof, opposite the side view shown in FIG. 2;  
FIG. 4 is a front view thereof;  
FIG. 5 is a back view thereof;  
FIG. 6 is a top view thereof; and,  
FIG. 7 is a bottom view thereof.  
The dashed lines in FIGS. 1-7 outside of the claimed tool handle represent environmental structure that forms no part of the claimed design; specifically, some such dashed lines show aspects of an example tool (a hammer) with which the claimed tool handle may be used. Other dashed lines show that while a logo may (but need not) be used with the claimed design, no particular logo is claimed.

**1 Claim, 5 Drawing Sheets**



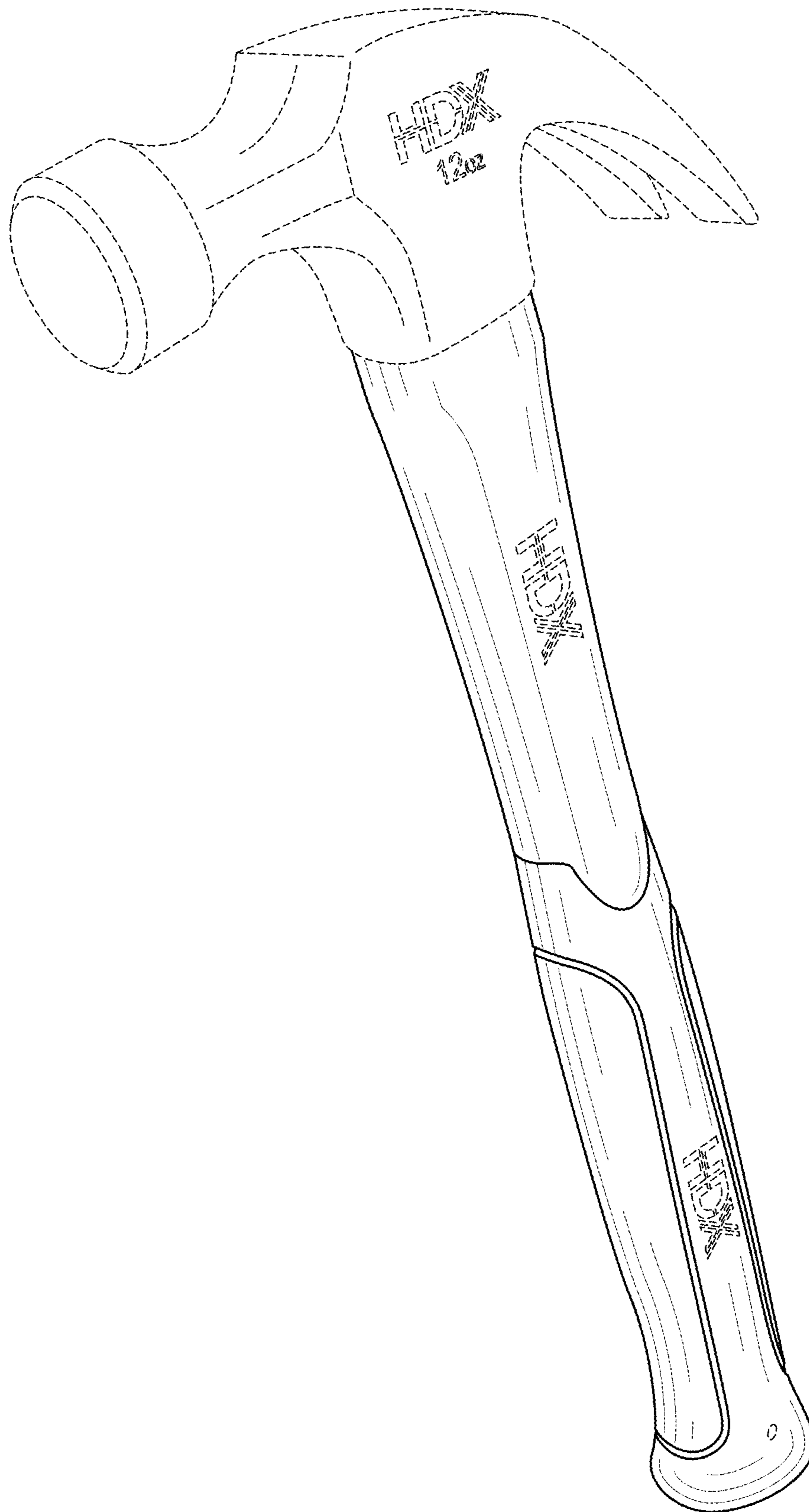
(56)

**References Cited**

U.S. PATENT DOCUMENTS

D633,357 S *	3/2011	Garcia .....	D8/83
D633,358 S *	3/2011	Deguglimo .....	D8/83
D633,770 S *	3/2011	Wang .....	D8/83
D643,275 S	8/2011	Wang	
D660,123 S *	5/2012	Islas .....	D8/80
D661,962 S	6/2012	Garcia	
D679,976 S *	4/2013	Chiu .....	D8/107
D681,415 S	5/2013	Boies	
D742,712 S *	11/2015	Zhang .....	D8/75
D753,977 S *	4/2016	Nelson .....	D8/83
2015/0158164 A1	6/2015	Chern	

\* cited by examiner



**FIG. 1**

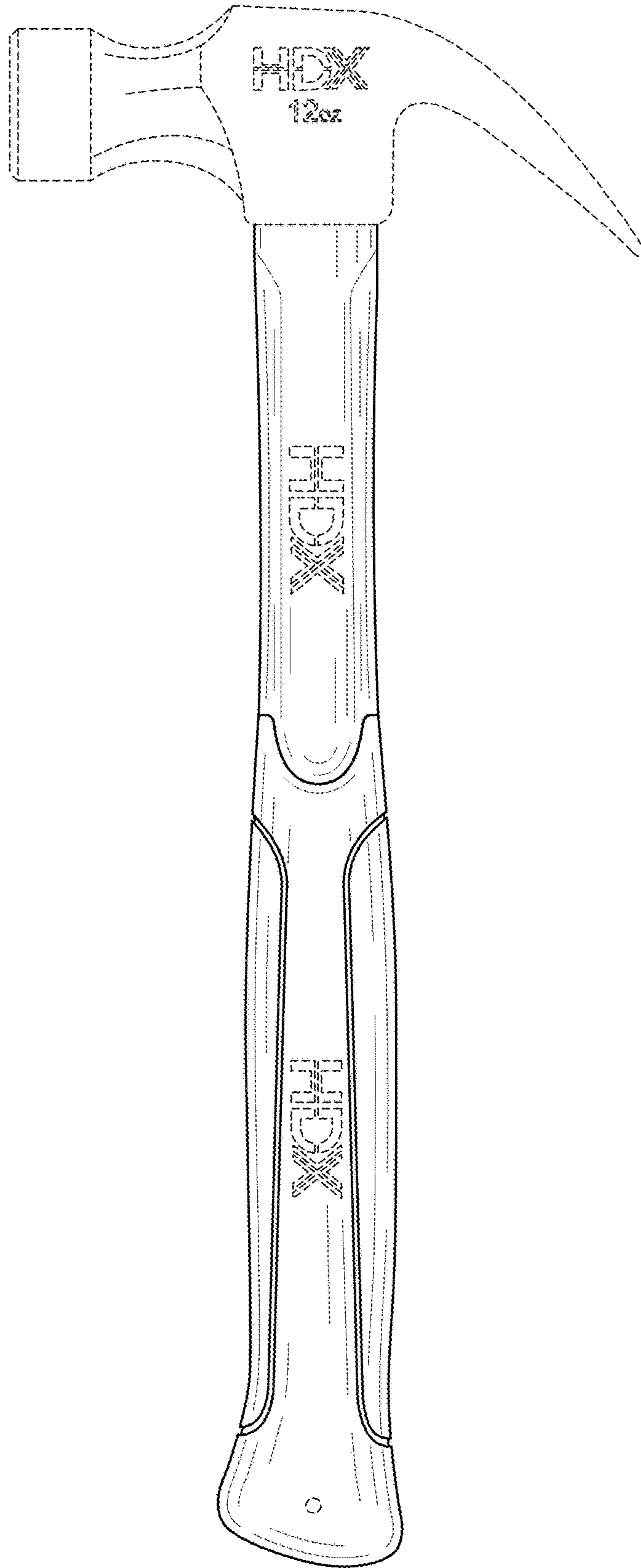
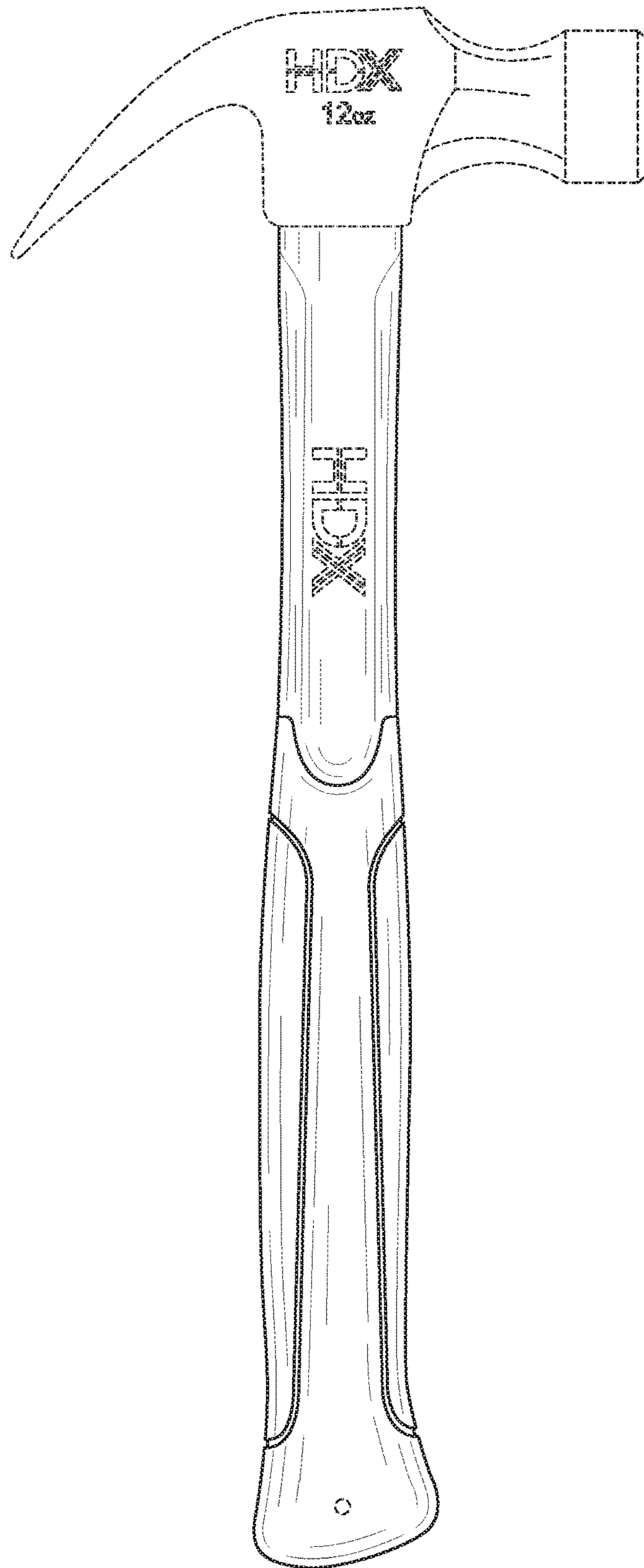


FIG. 2



**FIG. 3**

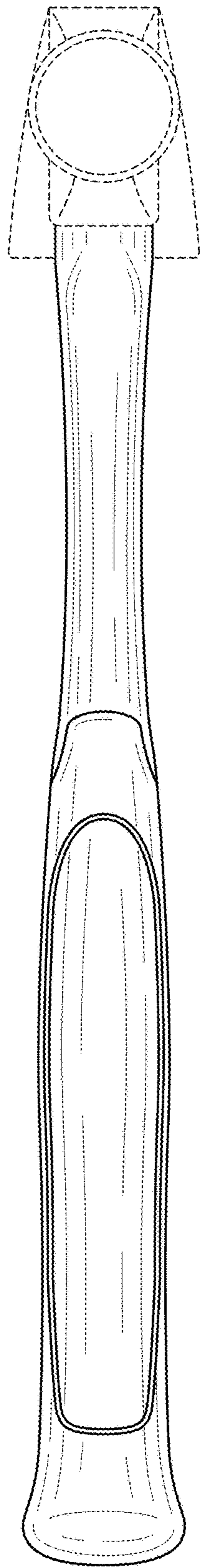


FIG. 4

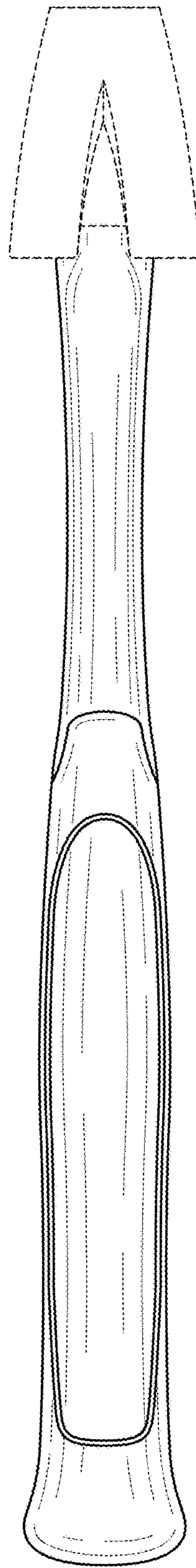
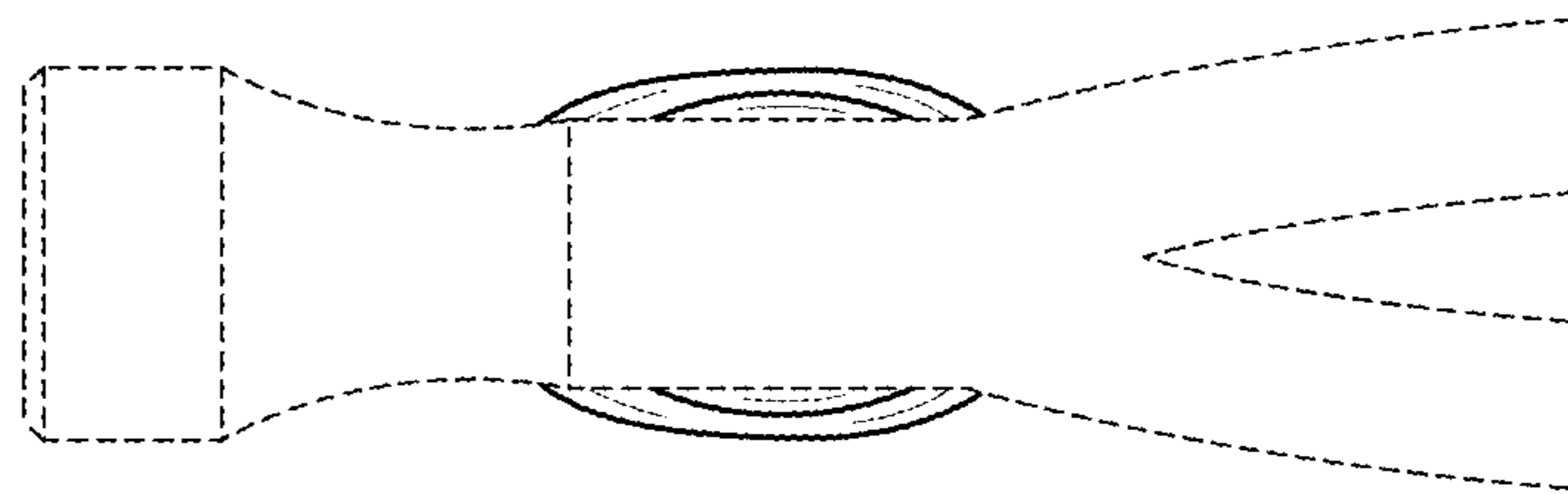
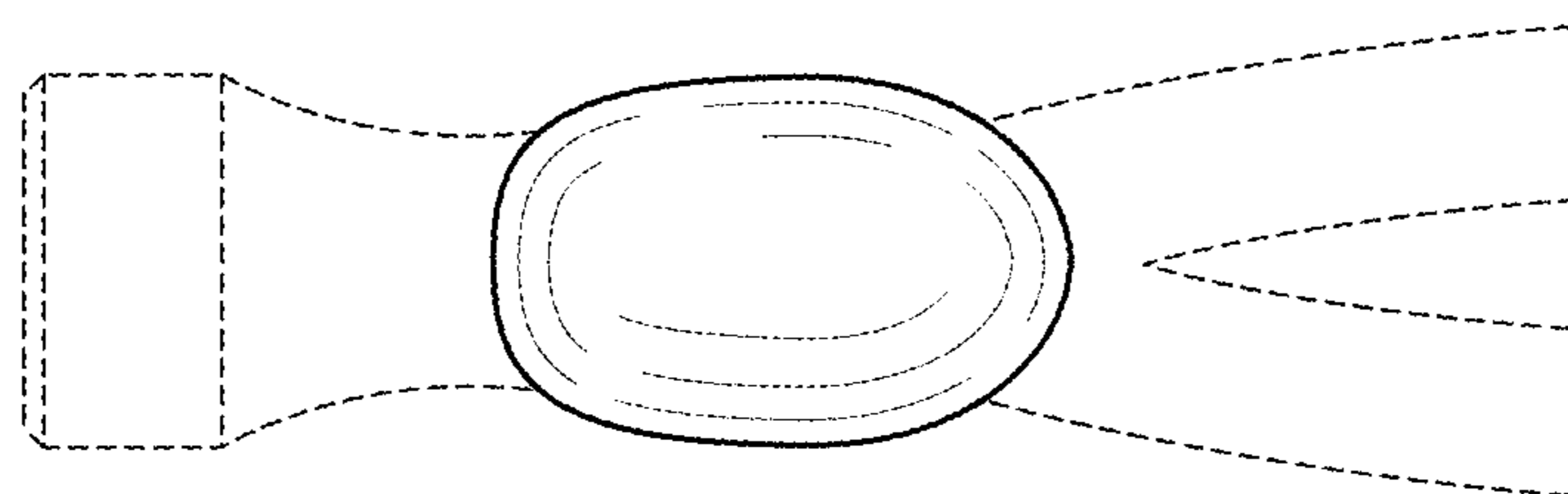


FIG. 5



**FIG. 6**



**FIG. 7**