



US00D779906S

(12) **United States Design Patent**  
**Kraljic**

(10) **Patent No.:** **US D779,906 S**

(45) **Date of Patent:** **\*\* Feb. 28, 2017**

(54) **STAMPING HAMMER**  
(71) Applicant: **Wolter Corp.**, Bay Shore, NY (US)  
(72) Inventor: **John Kraljic**, Riverhead, NY (US)  
(73) Assignee: **WOLTER CORP.**, Bay Shore, NY (US)  
(\*\*) Term: **14 Years**

3,942,567 A \* 3/1976 Richilano ..... B22D 19/00  
81/19  
D274,496 S \* 7/1984 Grover ..... D8/77  
D285,284 S \* 8/1986 Blomqvist ..... D8/77  
D350,269 S \* 9/1994 Majors ..... D8/77  
5,960,677 A \* 10/1999 Carmien ..... B25D 1/12  
81/20  
D418,226 S \* 12/1999 Cody ..... D24/186  
D463,725 S \* 10/2002 Wroblewski ..... D8/77  
D579,298 S \* 10/2008 Moxey ..... D8/77  
D649,246 S \* 11/2011 Prichett ..... D24/142  
D653,725 S \* 2/2012 Zolotuhin ..... D22/144

(21) Appl. No.: **29/519,971**

\* cited by examiner

(22) Filed: **Mar. 10, 2015**

*Primary Examiner* — Phillip S Hyder

(51) **LOC (10) Cl.** ..... **08-02**

(74) *Attorney, Agent, or Firm* — Scully, Scott, Murphy & Presser, P.C.

(52) **U.S. Cl.**  
USPC ..... **D8/77**

(58) **Field of Classification Search**  
USPC ..... D8/75, 76, 77, 78, 79, 80, 81, 105  
CPC ..... B25G 1/00; B25G 1/01; B25G 1/02;  
B25D 1/00; B25D 1/10; B25D  
1/02; B25D 1/04; B25F 1/00; B25F  
1/006

See application file for complete search history.

(57) **CLAIM**

The ornamental design for a stamping hammer, as shown.

**DESCRIPTION**

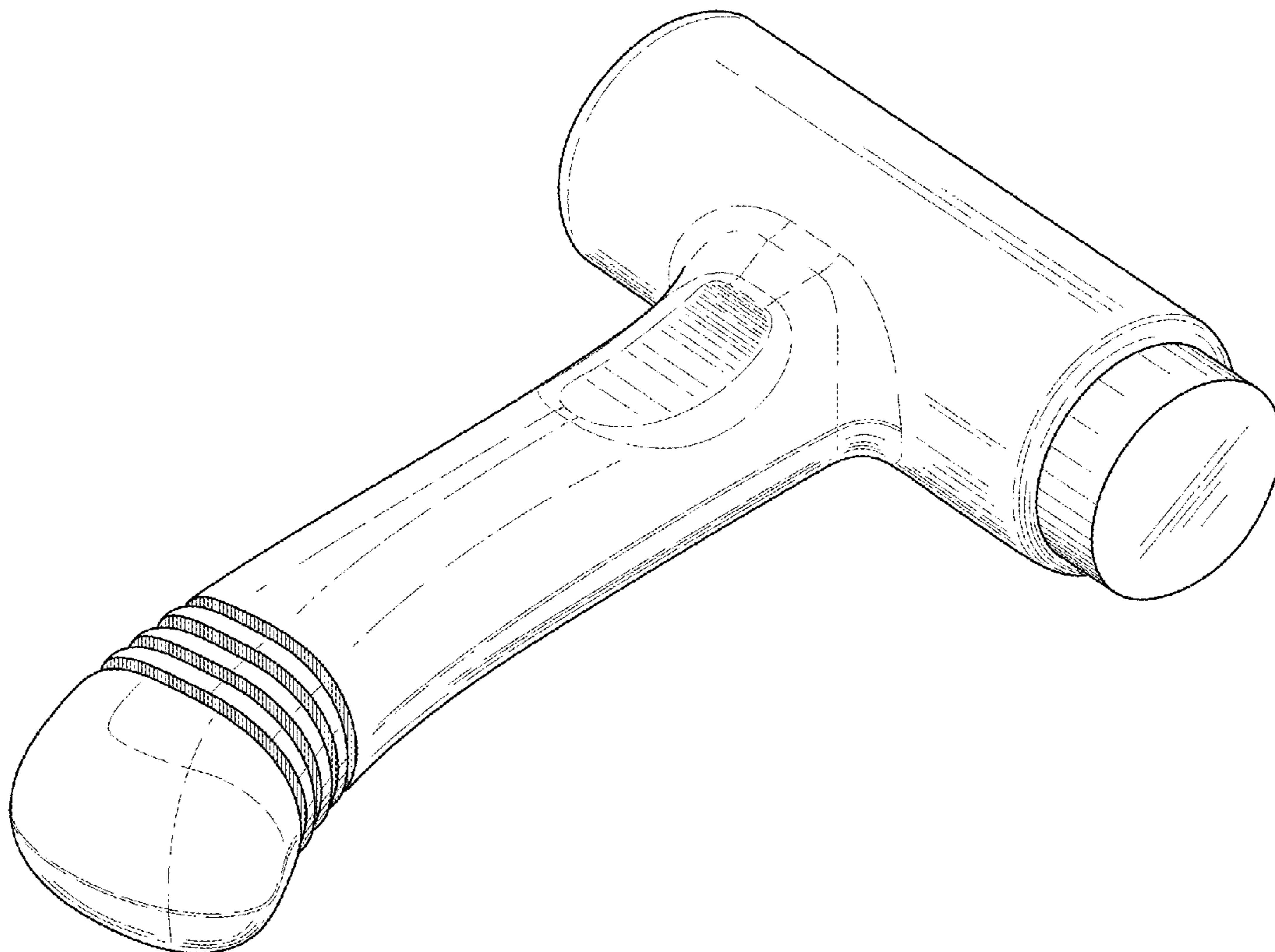
FIG. 1 is a perspective view of a stamping hammer, showing my new design;  
FIG. 2 is a top plan view thereof;  
FIG. 3 is a bottom plan view thereof;  
FIG. 4 is a front elevational view thereof;  
FIG. 5 is a rear elevational view thereof;  
FIG. 6 is a right side elevational view thereof; and,  
FIG. 7 is a left side elevational view thereof.

(56) **References Cited**

**U.S. PATENT DOCUMENTS**

D179,018 S \* 10/1956 Lowe ..... D8/77  
3,844,321 A \* 10/1974 Cook ..... B25D 1/00  
273/DIG. 8

**1 Claim, 5 Drawing Sheets**



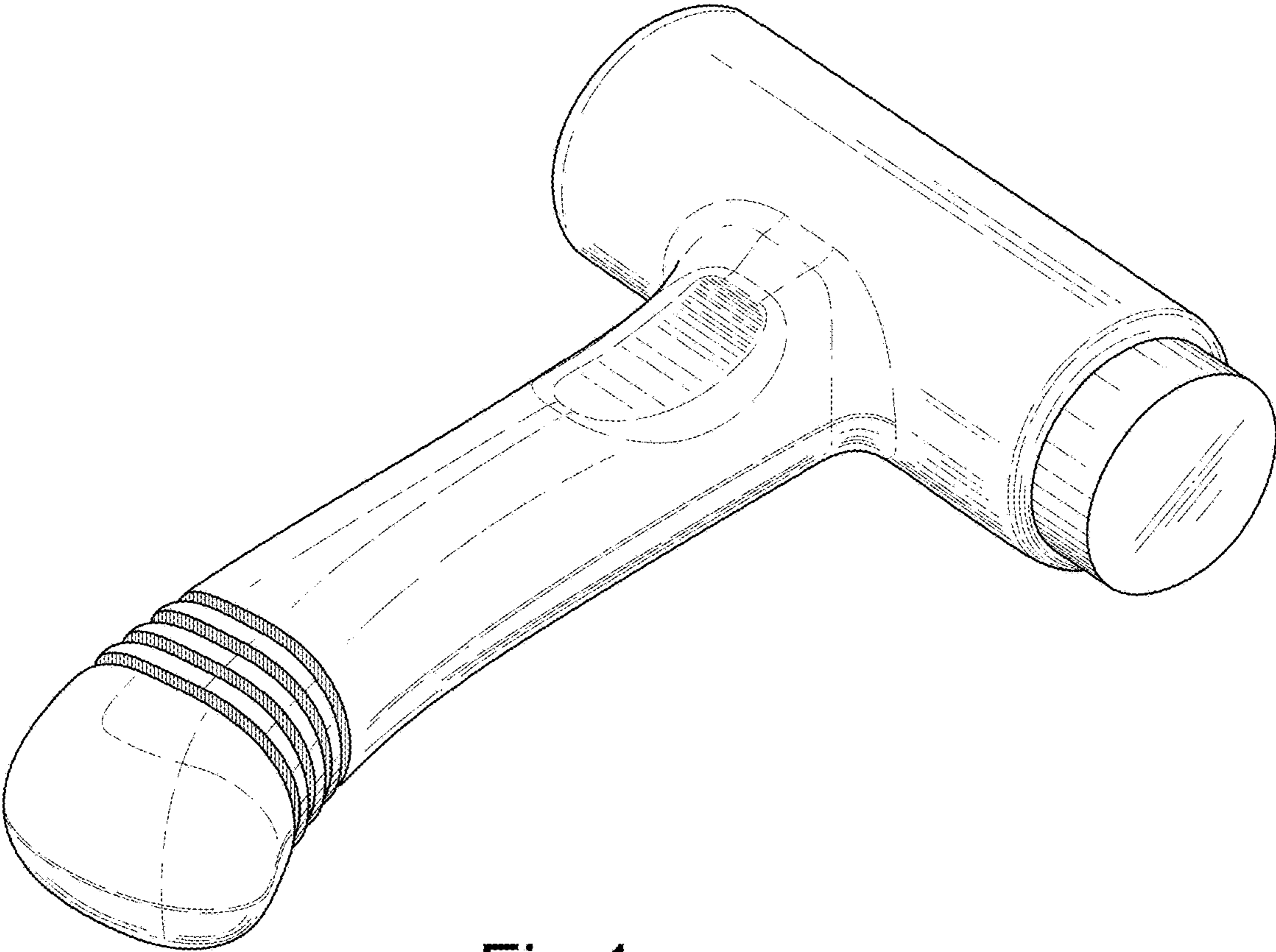


Fig.1

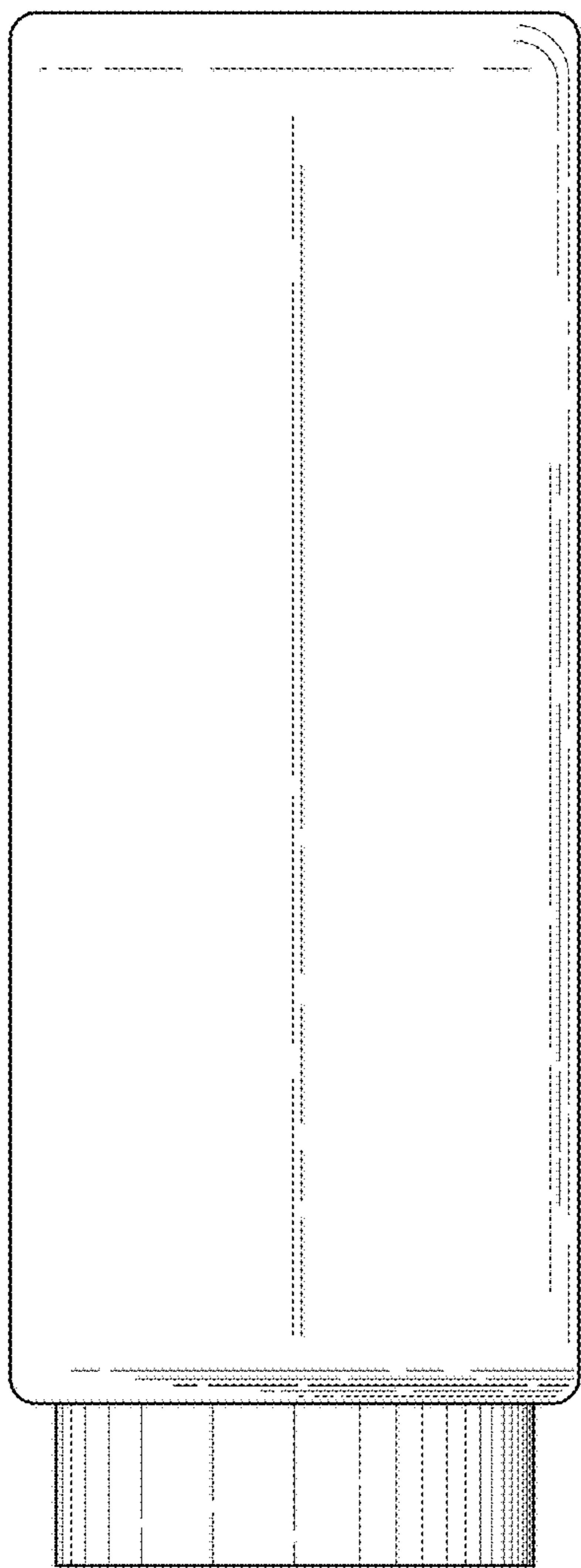


Fig. 2

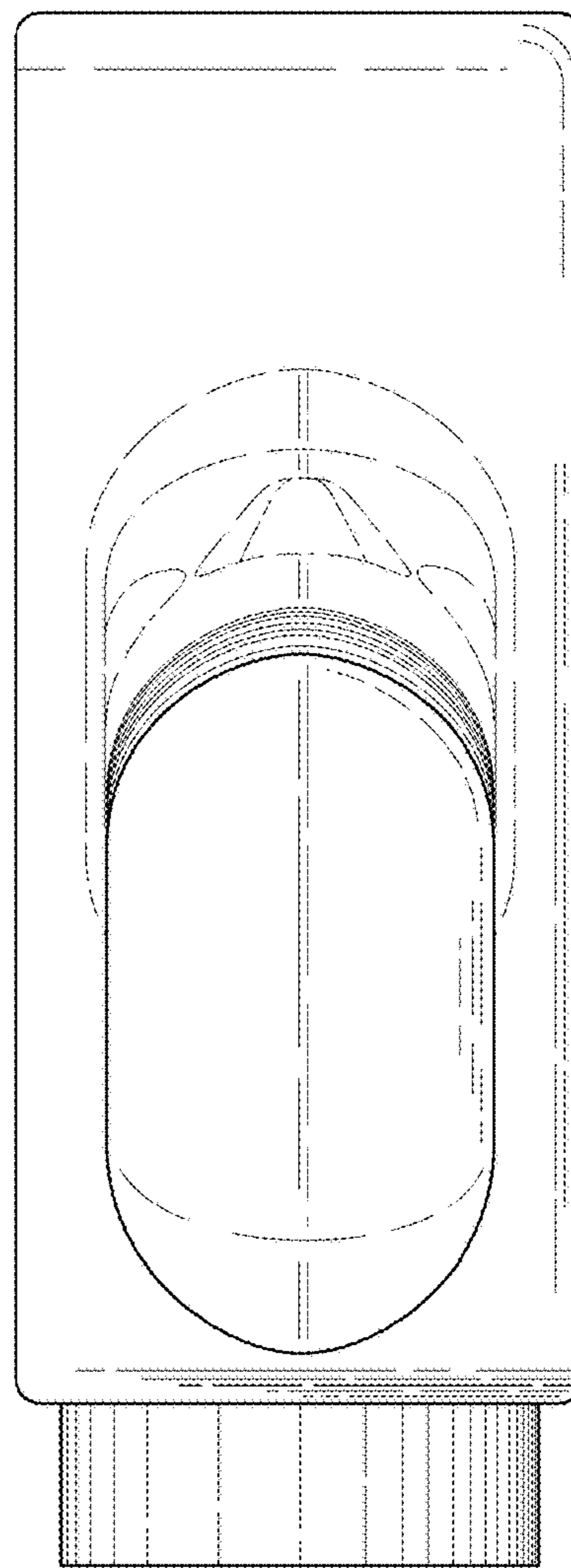


Fig. 3

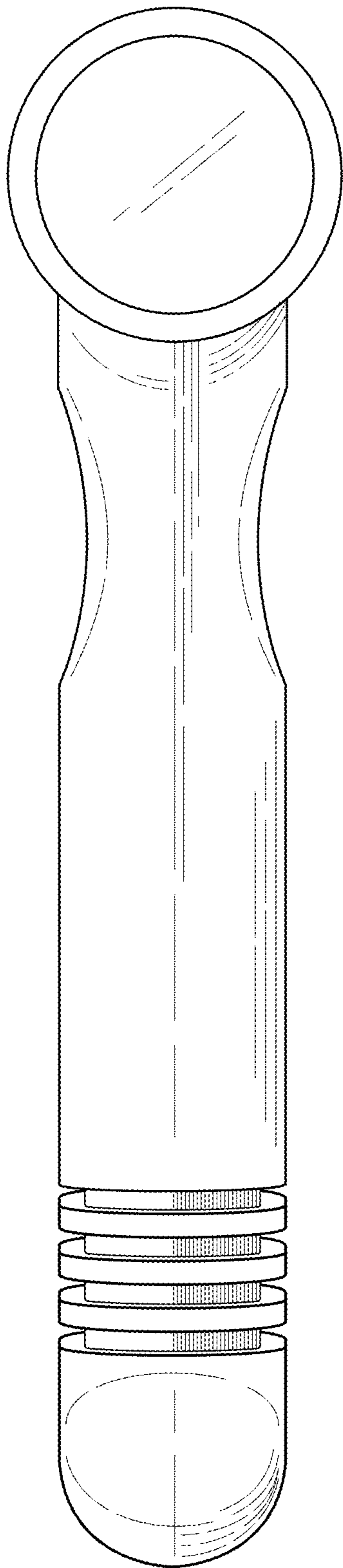


Fig. 4

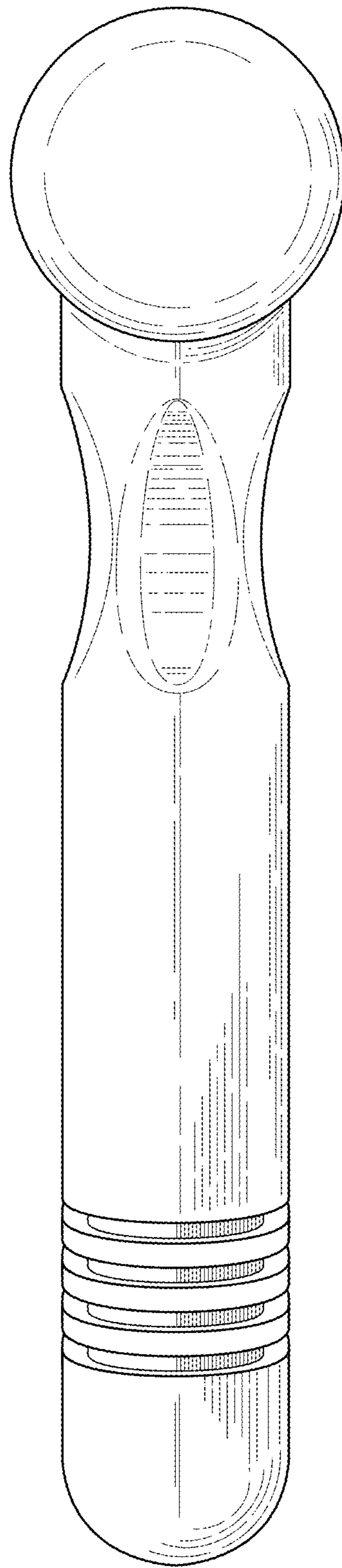


Fig. 5

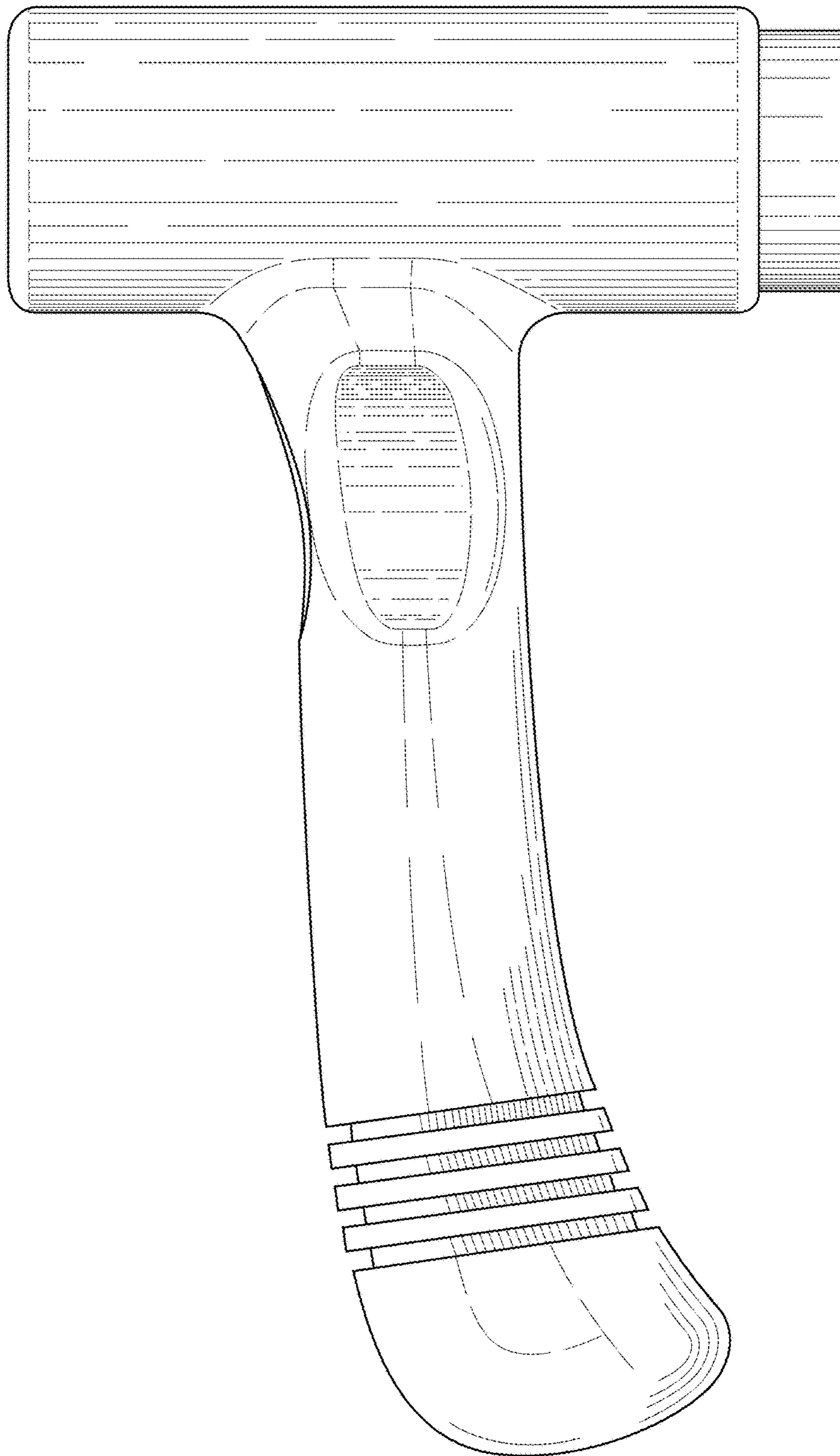


Fig. 6

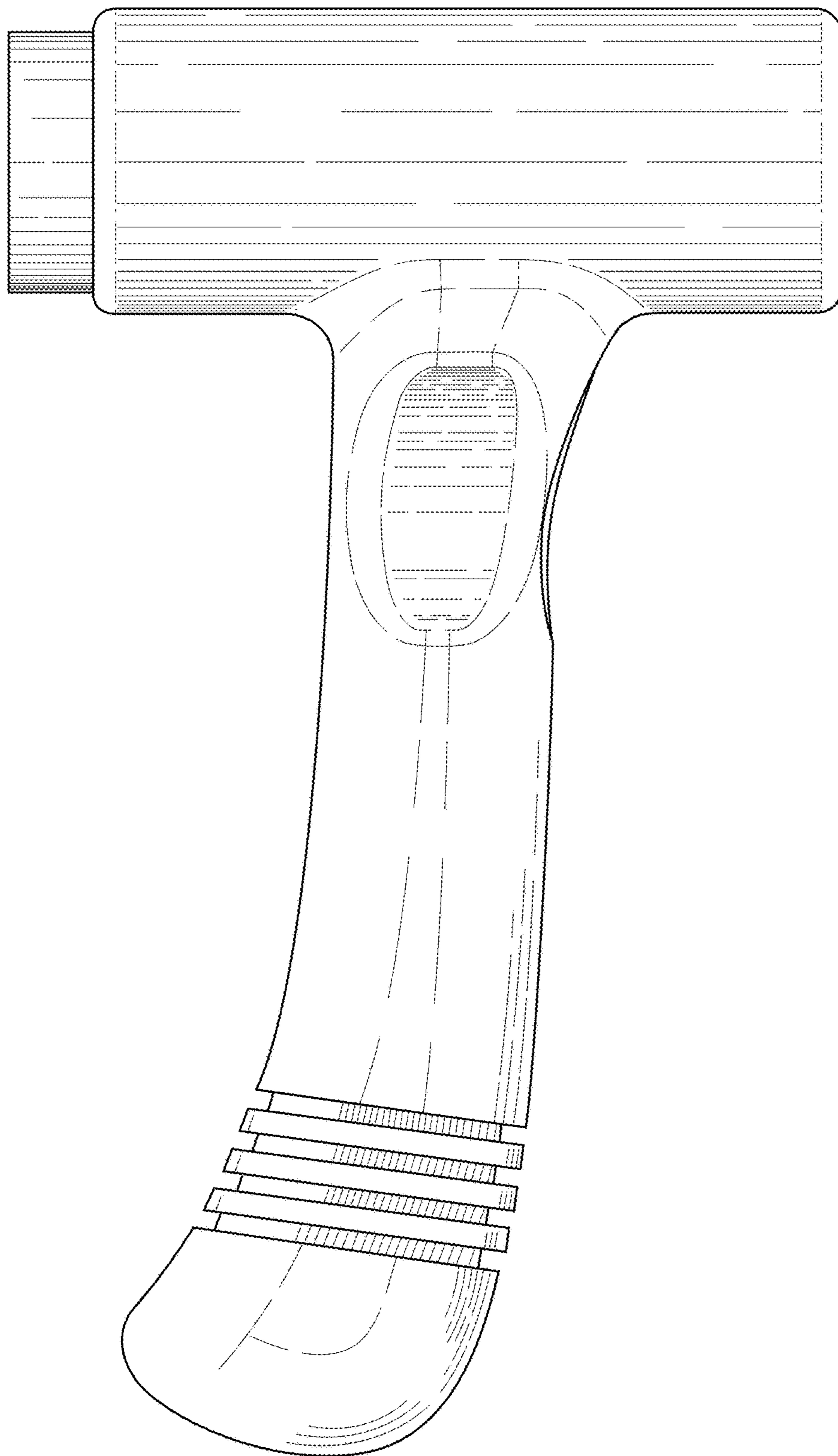


Fig. 7