



US00D779903S

(12) **United States Design Patent**
Koeniger et al.

(10) **Patent No.:** **US D779,903 S**

(45) **Date of Patent:** **** Feb. 28, 2017**

(54) **CORDLESS IMPACT SCREWDRIVER**

(71) Applicant: **Hilti Aktiengesellschaft**, Schaan (LI)

(72) Inventors: **Tobias Koeniger**, Bregenz (AT); **Heiko Aupperle**, Heerbrugg (CH)

(73) Assignee: **Hilti Aktiengesellschaft**, Schaan (LI)

(**) Term: **14 Years**

(21) Appl. No.: **29/519,967**

(22) Filed: **Mar. 10, 2015**

(30) **Foreign Application Priority Data**

Sep. 11, 2014 (WO) DM/084386

(51) **LOC (10) Cl.** **08-01**

(52) **U.S. Cl.**
USPC **D8/68**

(58) **Field of Classification Search**
USPC ... D8/61, 67, 68; 81/57.4, 489; 173/48, 109,
173/170, 178, 217; 408/124, 125;
362/119; 475/149
CPC B21J 15/043; B21J 15/22; B21J 15/36;
B21J 15/326
See application file for complete search history.

(56) **References Cited**

U.S. PATENT DOCUMENTS

D411,947 S * 7/1999 Sugimoto D8/61
D514,910 S * 2/2006 Nagasaka D8/68
D517,885 S * 3/2006 Corcoran D8/68
D533,421 S * 12/2006 Aglassinger D8/68

D545,159 S * 6/2007 Schoen D8/68
D580,726 S * 11/2008 Murray D8/68
D605,486 S * 12/2009 Aglassinger D8/68
D650,652 S * 12/2011 Aglassinger D8/68
8,267,192 B2 * 9/2012 Lopano B25F 5/02
173/168
D676,730 S * 2/2013 Kubono D8/68
D705,630 S * 5/2014 Patel D8/68
D725,980 S * 4/2015 Tirone D8/68
2011/0011610 A1 * 1/2011 Welke B25B 21/00
173/217

* cited by examiner

Primary Examiner — Darlington Ly

(74) *Attorney, Agent, or Firm* — Crowell & Moring LLP

(57) **CLAIM**

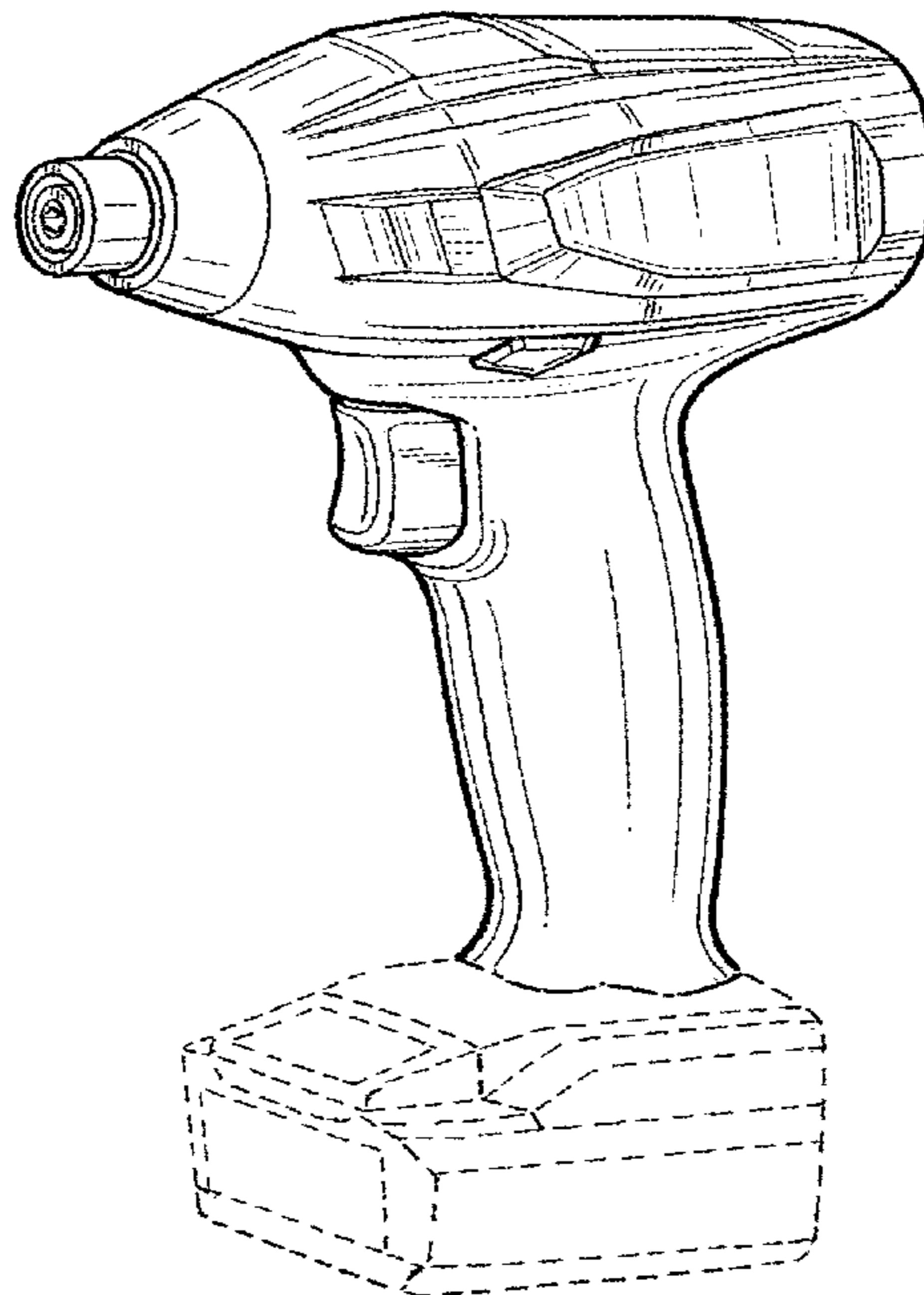
The ornamental design for a cordless impact screwdriver, as shown and described.

DESCRIPTION

FIG. 1 is a left, front perspective view of a cordless impact screwdriver according to the design; FIG. 2 is a right, rear perspective view thereof; FIG. 3 is a left side view thereof; FIG. 4 is a right side view thereof; FIG. 5 is a top view thereof; FIG. 6 is a bottom view thereof; FIG. 7 is a front view thereof; and, FIG. 8 is a rear view thereof.

The even broken lines in the drawings illustrate portions of the cordless impact screwdriver that form no part of the claimed design. The dash-dot broken line in the drawings illustrates the boundaries of the claim and forms no part thereof.

1 Claim, 6 Drawing Sheets



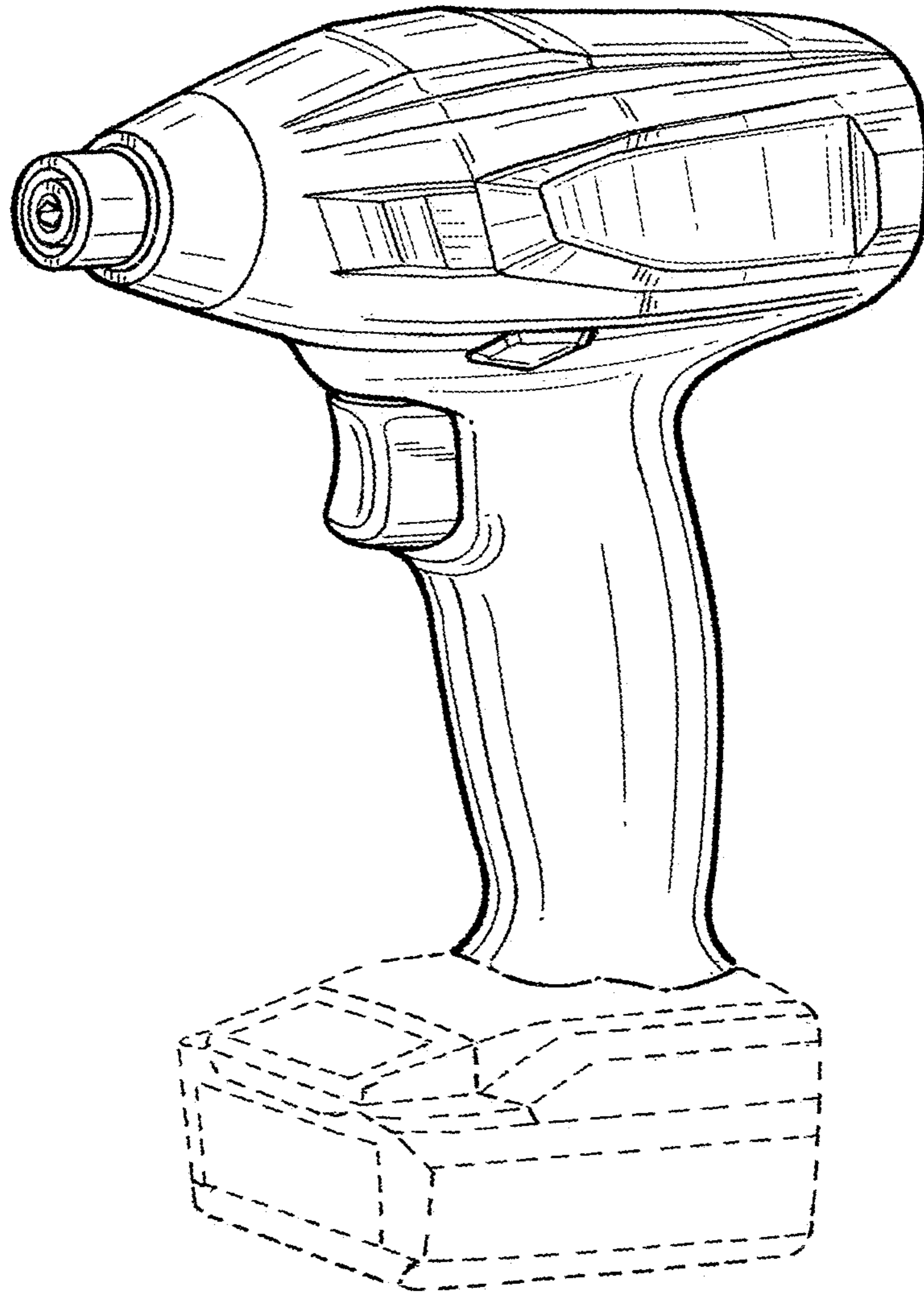


FIG. 1

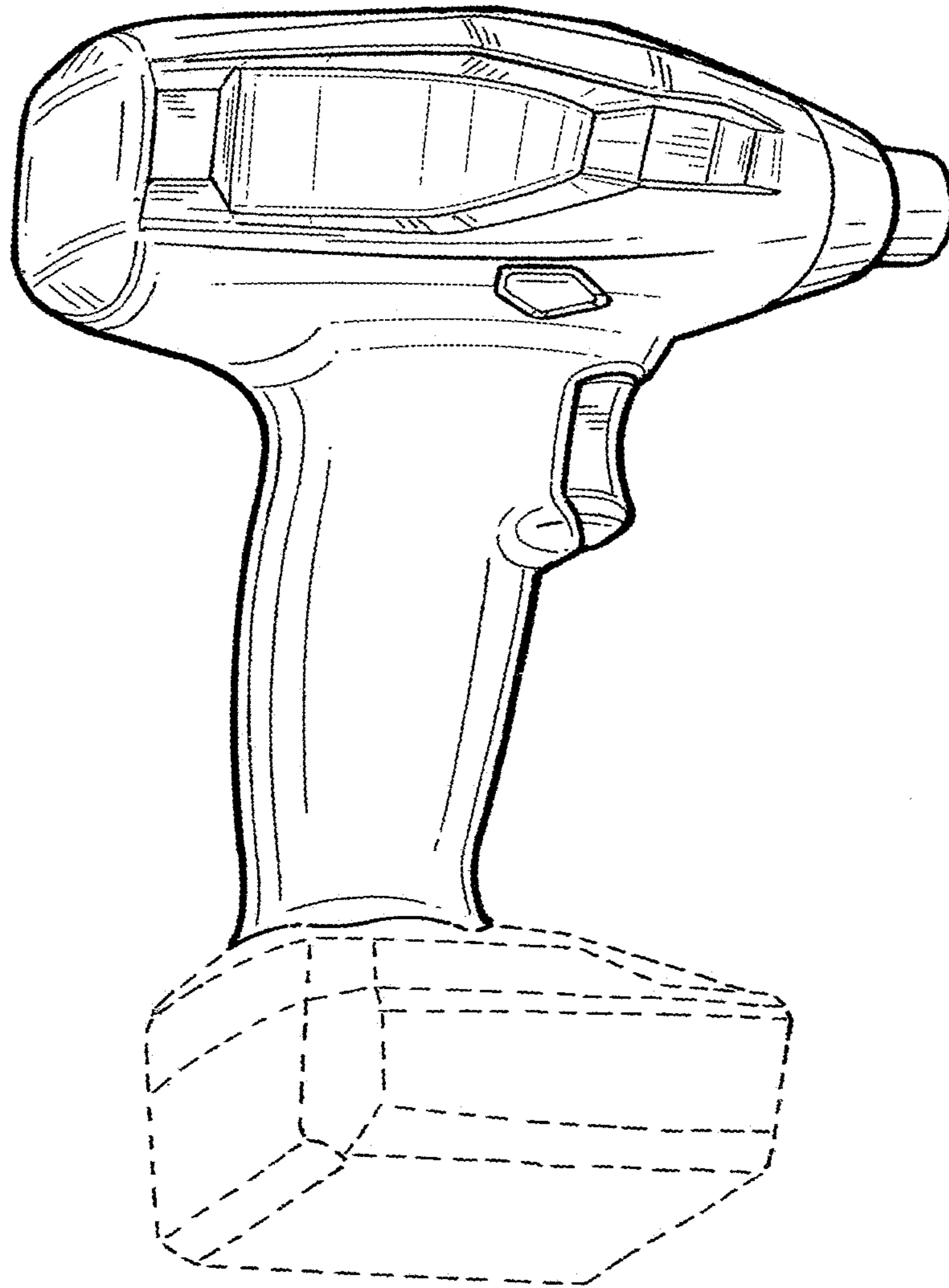


FIG. 2

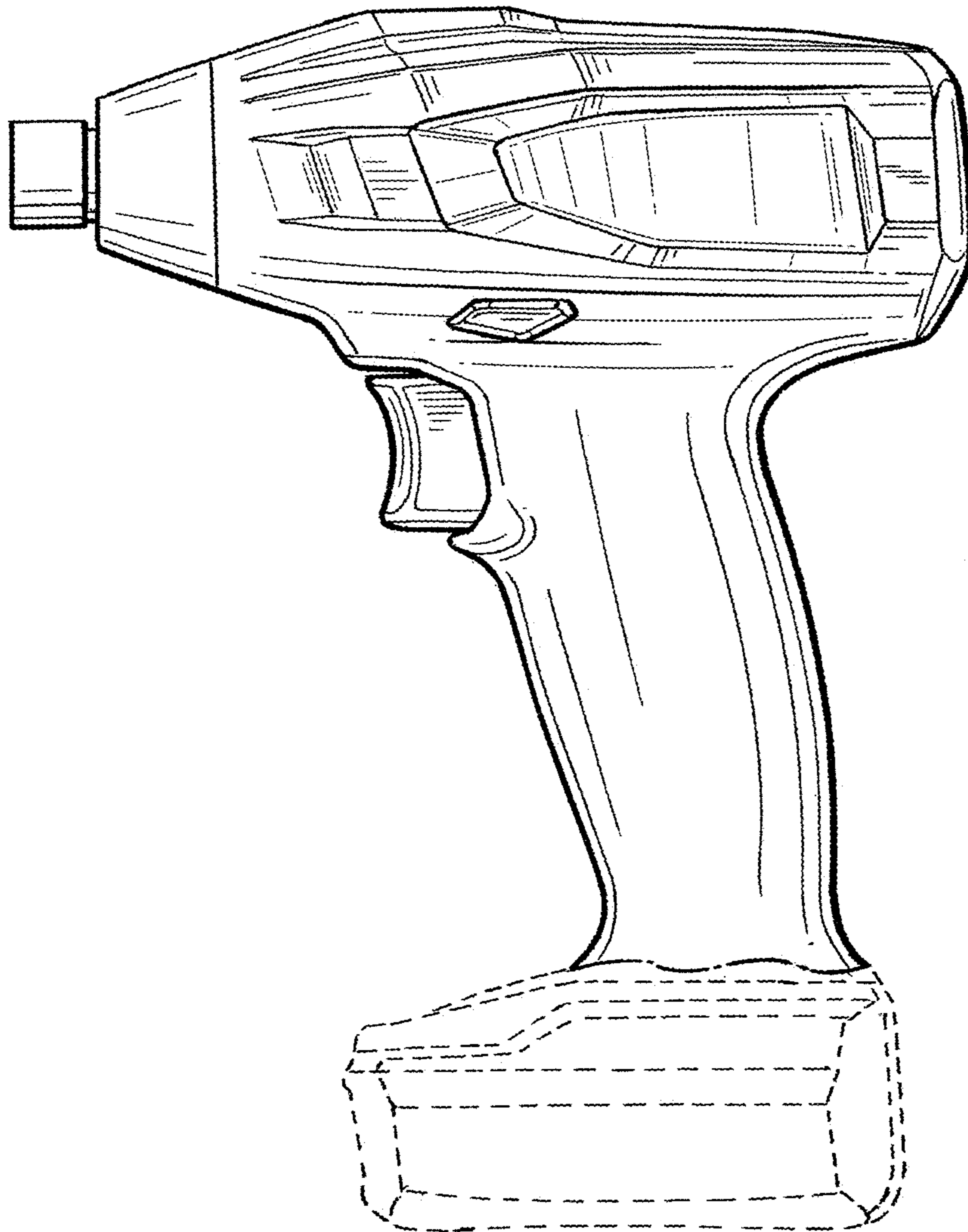


FIG. 3

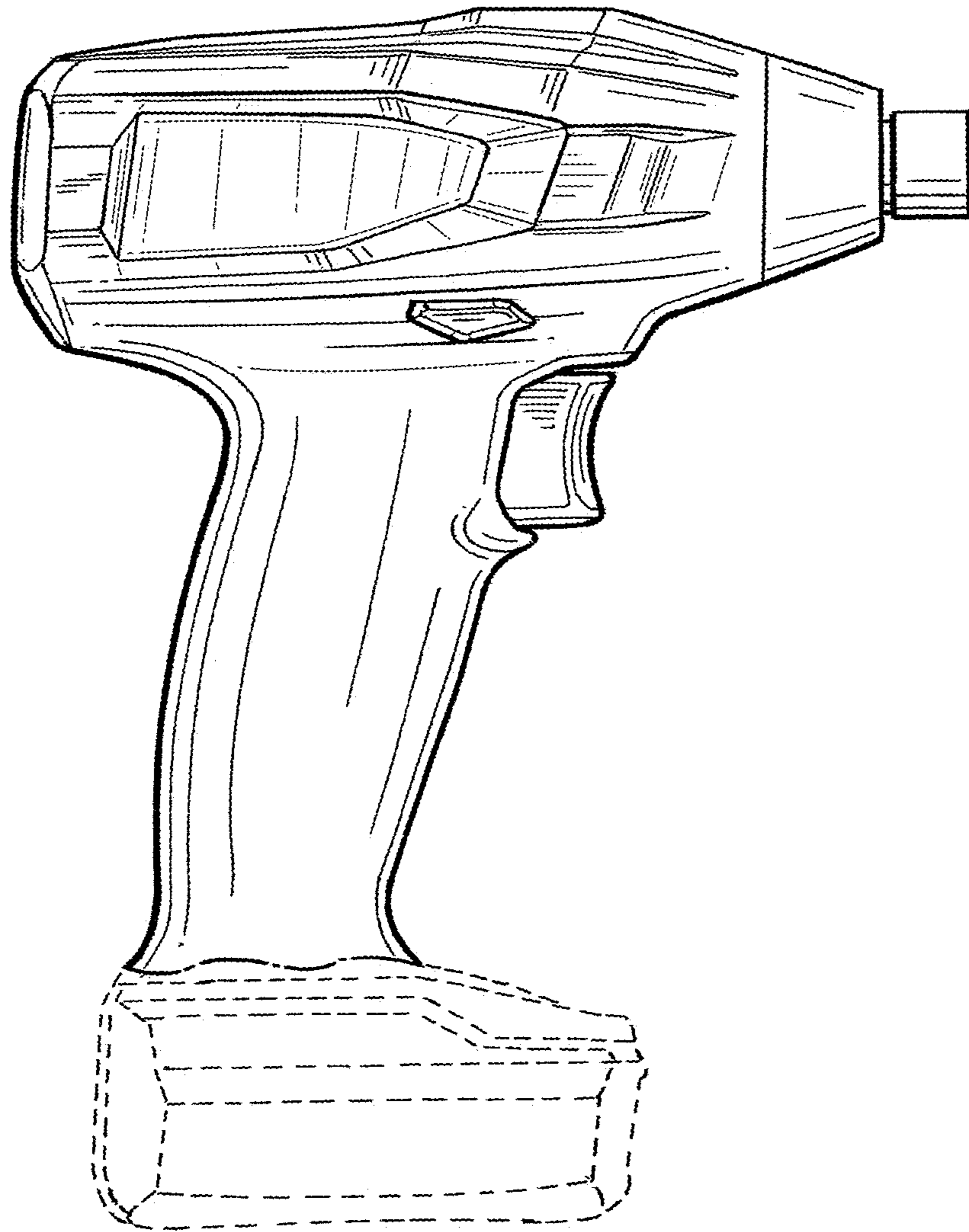


FIG. 4

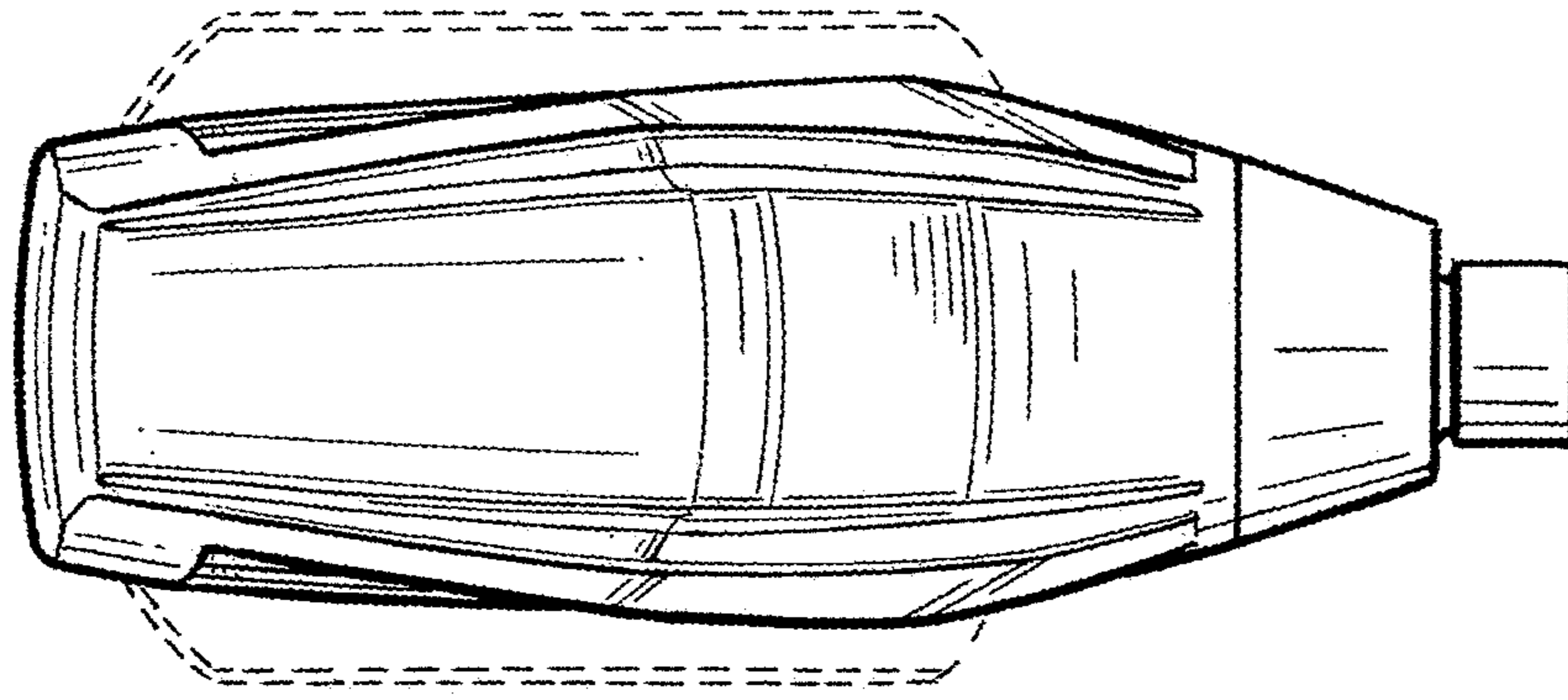


FIG. 5

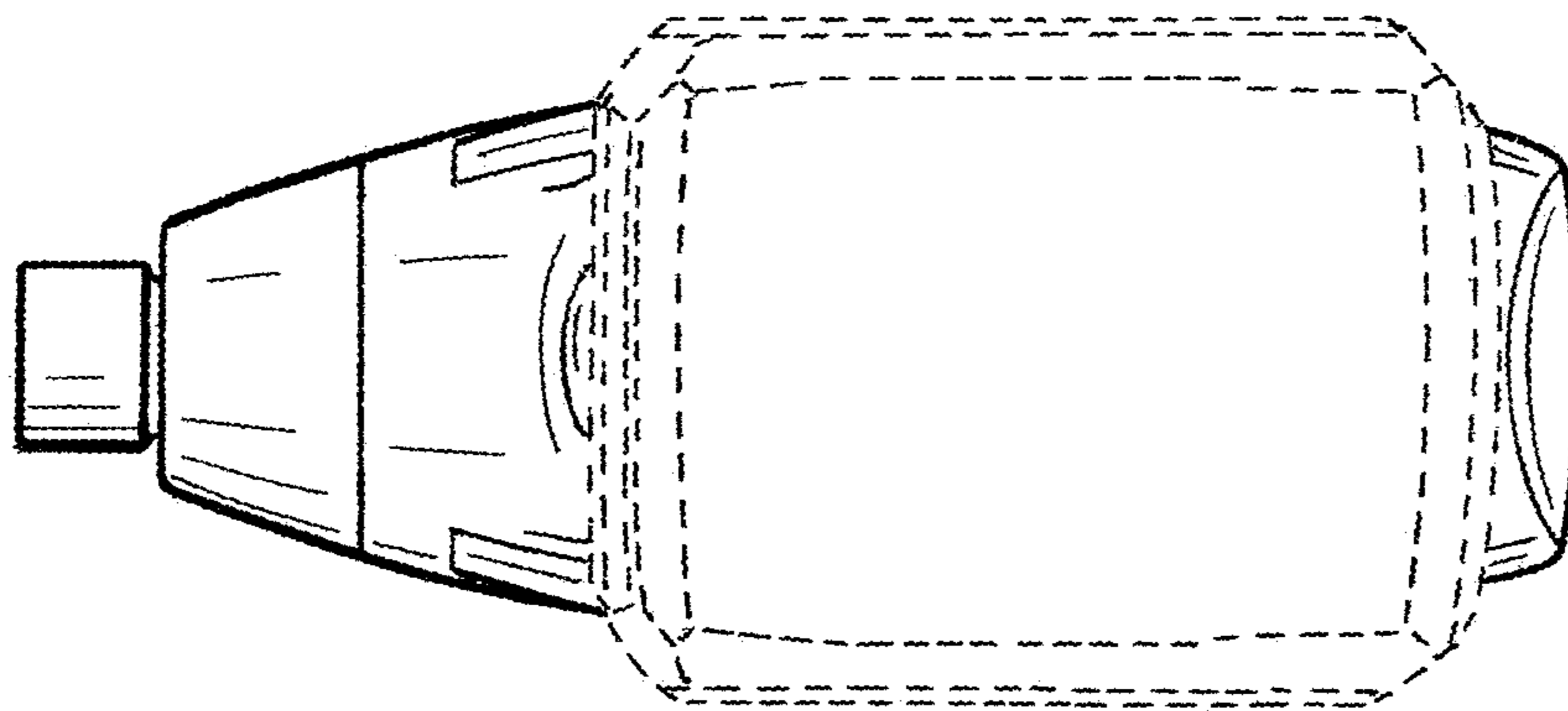


FIG. 6

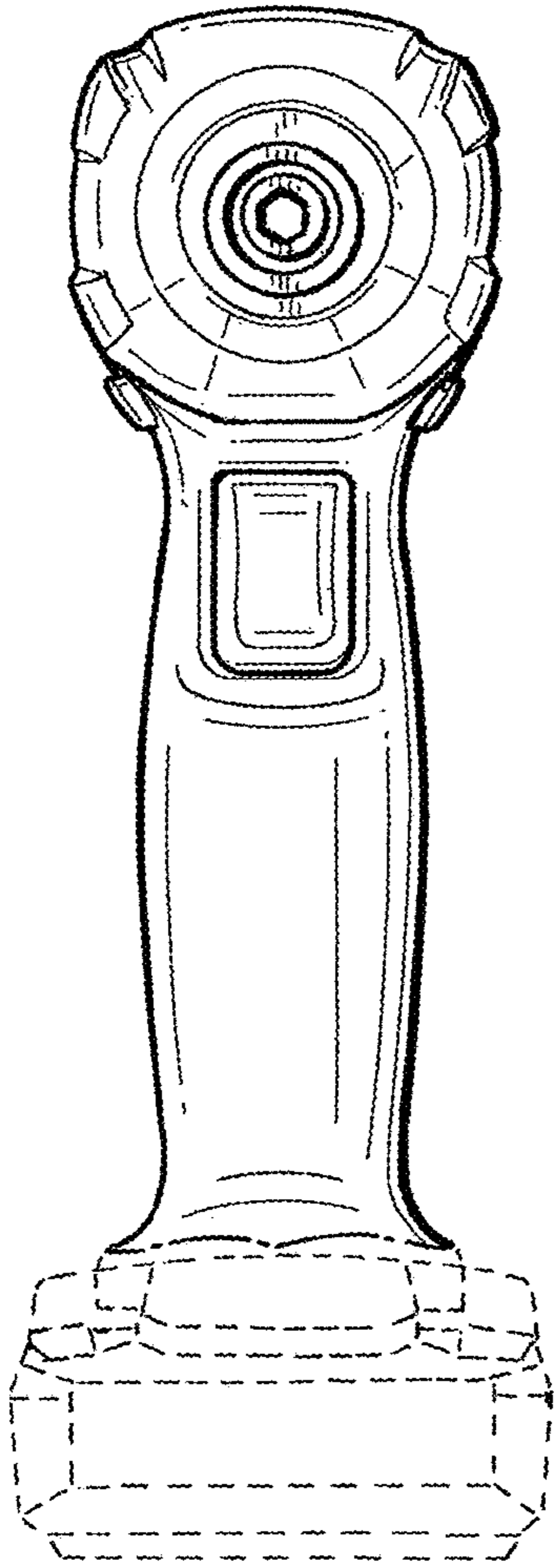


FIG. 7

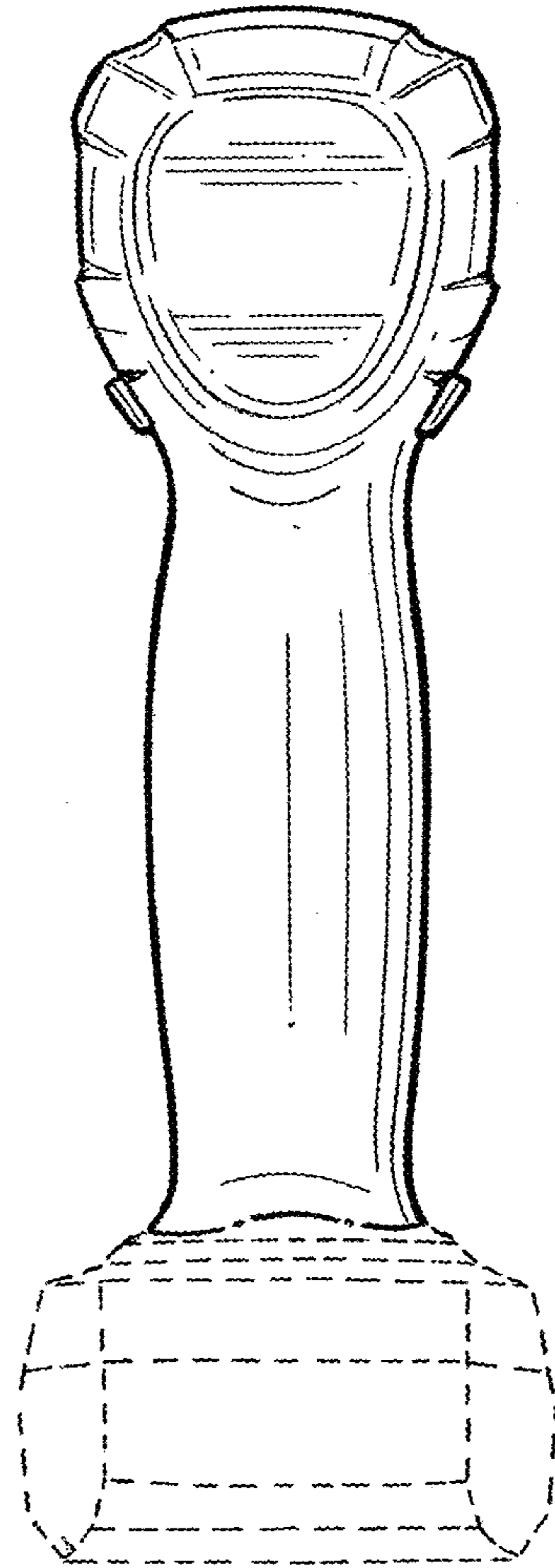


FIG. 8