



US00D779901S

(12) **United States Design Patent** (10) **Patent No.:** **US D779,901 S**
Kieu (45) **Date of Patent:** **** Feb. 28, 2017**

- (54) **BOTTLE OPENER**
- (71) Applicant: **James Thao Kieu**, San Jose, CA (US)
- (72) Inventor: **James Thao Kieu**, San Jose, CA (US)
- (**) Term: **15 Years**
- (21) Appl. No.: **29/537,656**
- (22) Filed: **Aug. 27, 2015**

2,738,117 A *	3/1956	Trindl	B67B 3/02 53/363
D292,479 S *	10/1987	Beauchan	D8/40
D420,265 S *	2/2000	Pierce	D8/18
D488,689 S *	4/2004	Smith, IV	D8/18
D501,381 S *	2/2005	Kelleghan	D8/18
D624,378 S *	9/2010	Wysopal	D8/18
D637,463 S *	5/2011	Silvers	D8/18
D654,770 S *	2/2012	Frank	D8/40
D688,542 S *	8/2013	Wysoczynski	D8/18
D751,360 S *	3/2016	Oakley	D8/18
D758,161 S *	6/2016	Oakley	D8/105

* cited by examiner

Related U.S. Application Data

- (62) Division of application No. 29/495,930, filed on Jul. 7, 2014, now Pat. No. Des. 739,194.
- (51) **LOC (10) Cl.** **07-99**
- (52) **U.S. Cl.**
USPC **D8/40**
- (58) **Field of Classification Search**
USPC D8/16, 18, 19, 33-43, 89, 98-104
CPC B67B 7/00; B67B 7/14; B67B 7/16;
B67B 7/24; B67B 7/30; B67B 7/32; B67B
7/34; B67B 7/36; B67B 7/38; B67B 7/44
See application file for complete search history.

Primary Examiner — Elizabeth Albert
(74) *Attorney, Agent, or Firm* — Douglas L. Weller

(57) **CLAIM**

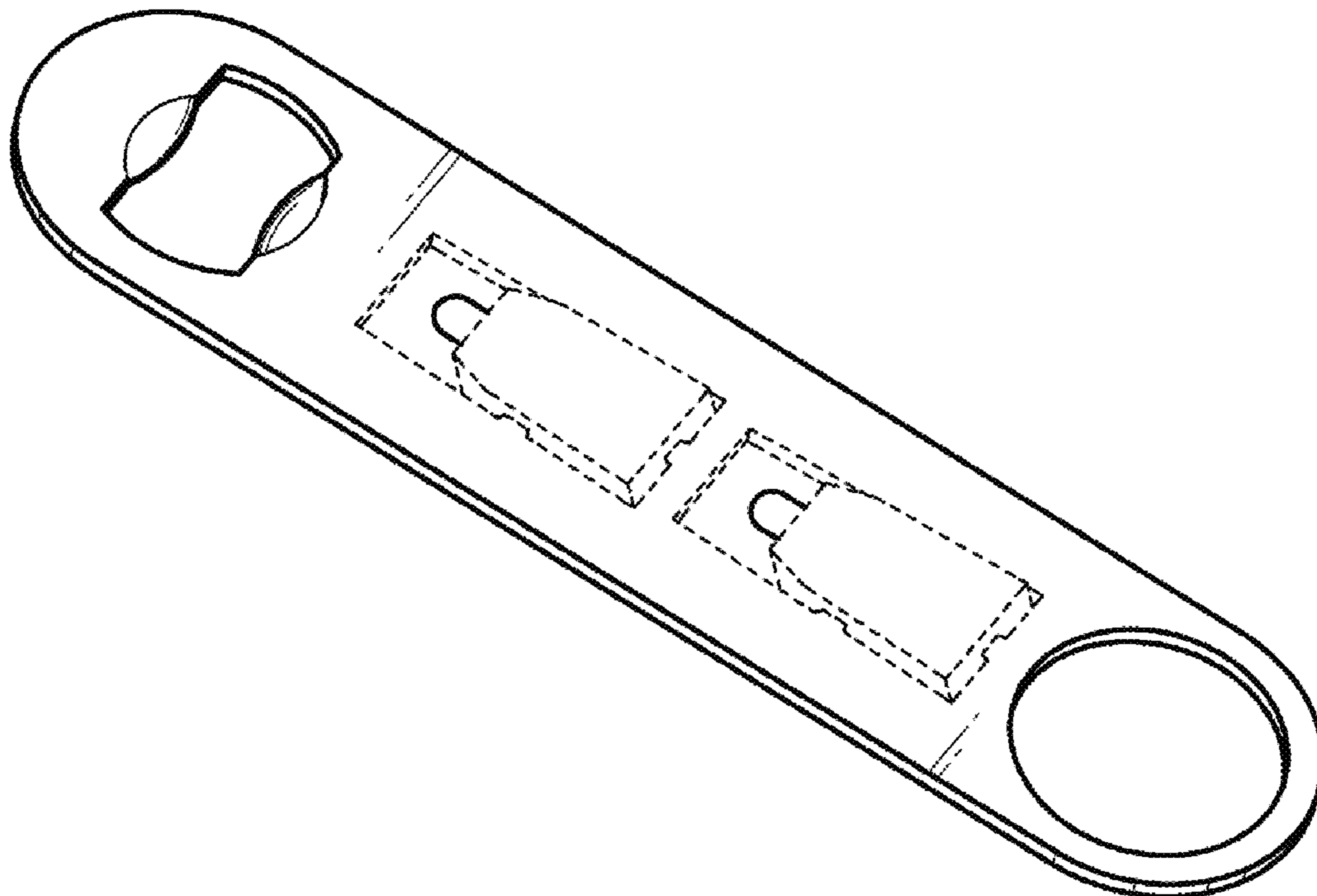
The ornamental design for a bottle opener, as shown and described.

DESCRIPTION

FIG. 1 is a top rear right perspective view of the bottle opener.
 FIG. 2 is a top plan view of the bottle opener.
 FIG. 3 is a front elevational view of the bottle opener.
 FIG. 4 is a rear elevational view of the bottle opener.
 FIG. 5 is a right side elevational view of the bottle opener; and,
 FIG. 6 is a left side elevational view of the bottle opener.
 The broken lines in FIGS. 1-6 are included to show portions of the bottle opener that form no part of the claimed design.

- (56) **References Cited**
U.S. PATENT DOCUMENTS
2,514,566 A * 7/1950 Capriccio B67B 3/02
53/363
2,559,560 A * 7/1951 Larson B67B 7/24
30/414

1 Claim, 2 Drawing Sheets



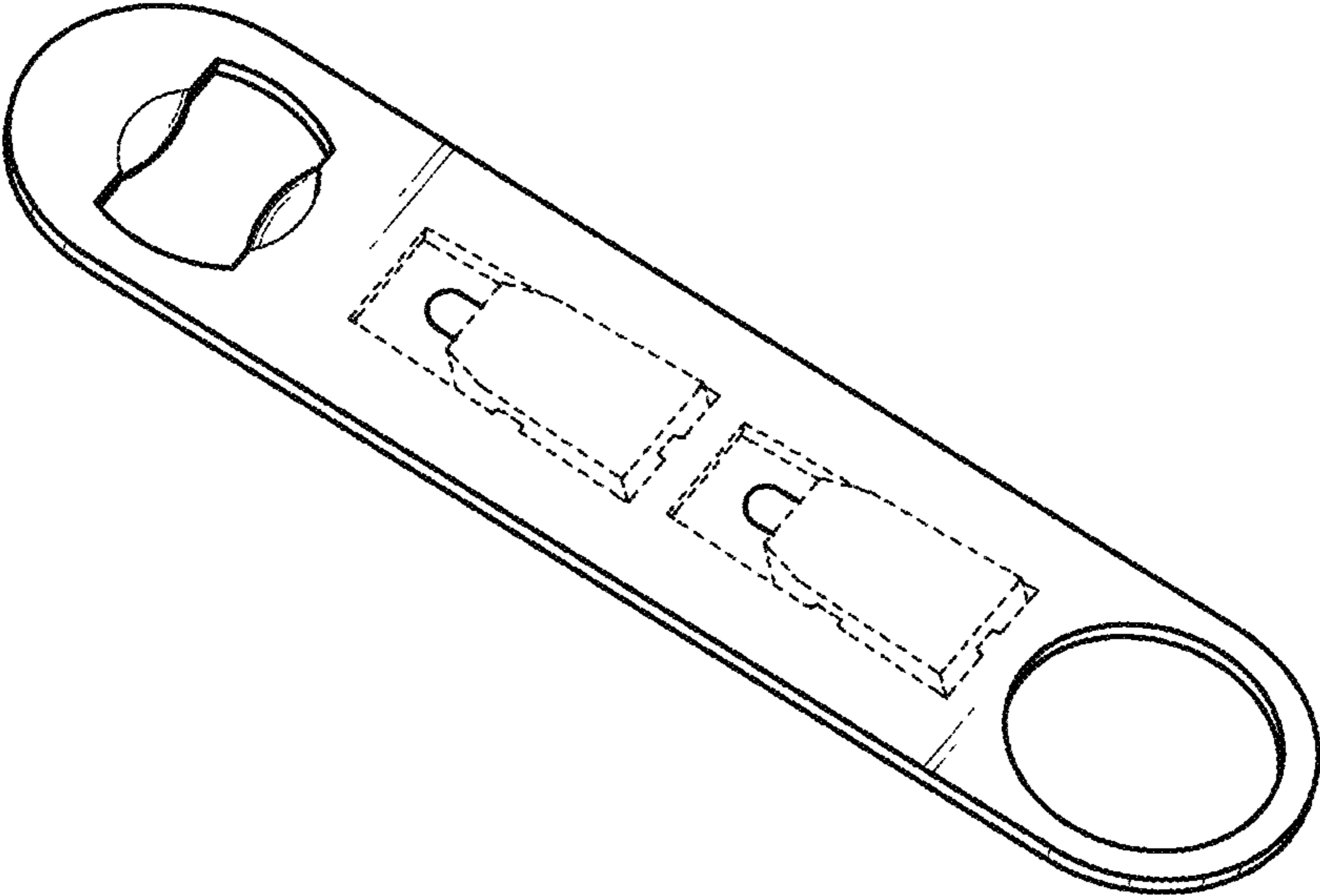


FIG. 1

FIG. 2

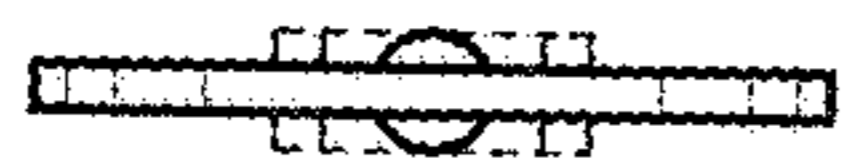
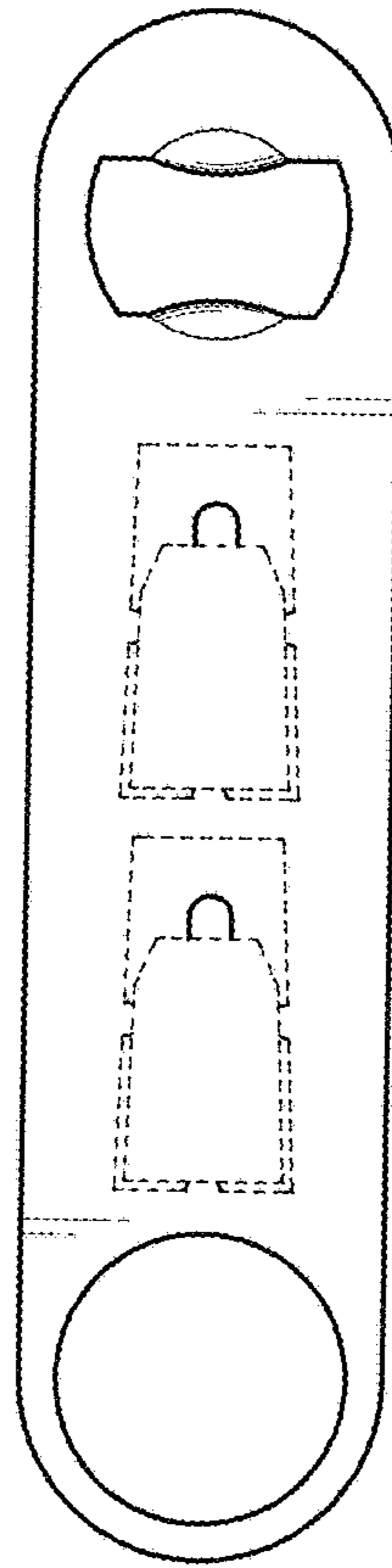


FIG. 3

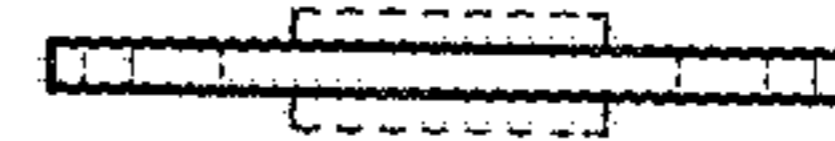


FIG. 4

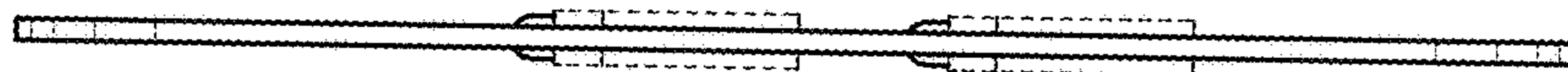


FIG. 5

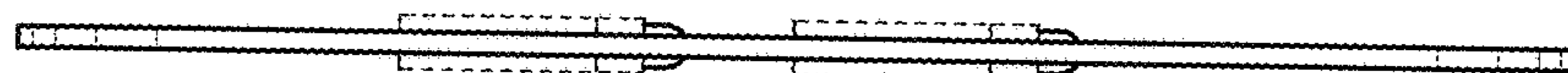


FIG. 6