



US00D779895S

(12) **United States Design Patent** (10) **Patent No.:** **US D779,895 S**
Borovicka et al. (45) **Date of Patent:** **** Feb. 28, 2017**

(54) **PIZZA STONE LIFTER** 8,579,341 B2 * 11/2013 Greer A47J 37/0786
294/131
(71) Applicant: **Charcoal Companion Incorporated,** D736,575 S * 8/2015 Tufford D7/669
Berkeley, CA (US) 2013/0055506 A1 * 3/2013 Greer A47J 45/10
7/109

(72) Inventors: **Cory Thomas Borovicka,** Oakland, CA * cited by examiner
(US); **Kwame Phillips-Solomon,**
Emeryville, CA (US) *Primary Examiner* — Terry Wallace

(73) Assignee: **Charcoal Companion Incorporated,**
Berkeley, CA (US) (74) *Attorney, Agent, or Firm* — Beeson Skinner Beverly,
LLP

(**) Term: **14 Years** (57) **CLAIM**
(21) Appl. No.: **29/518,729** The ornamental design for a pizza stone lifter, as shown and
described.

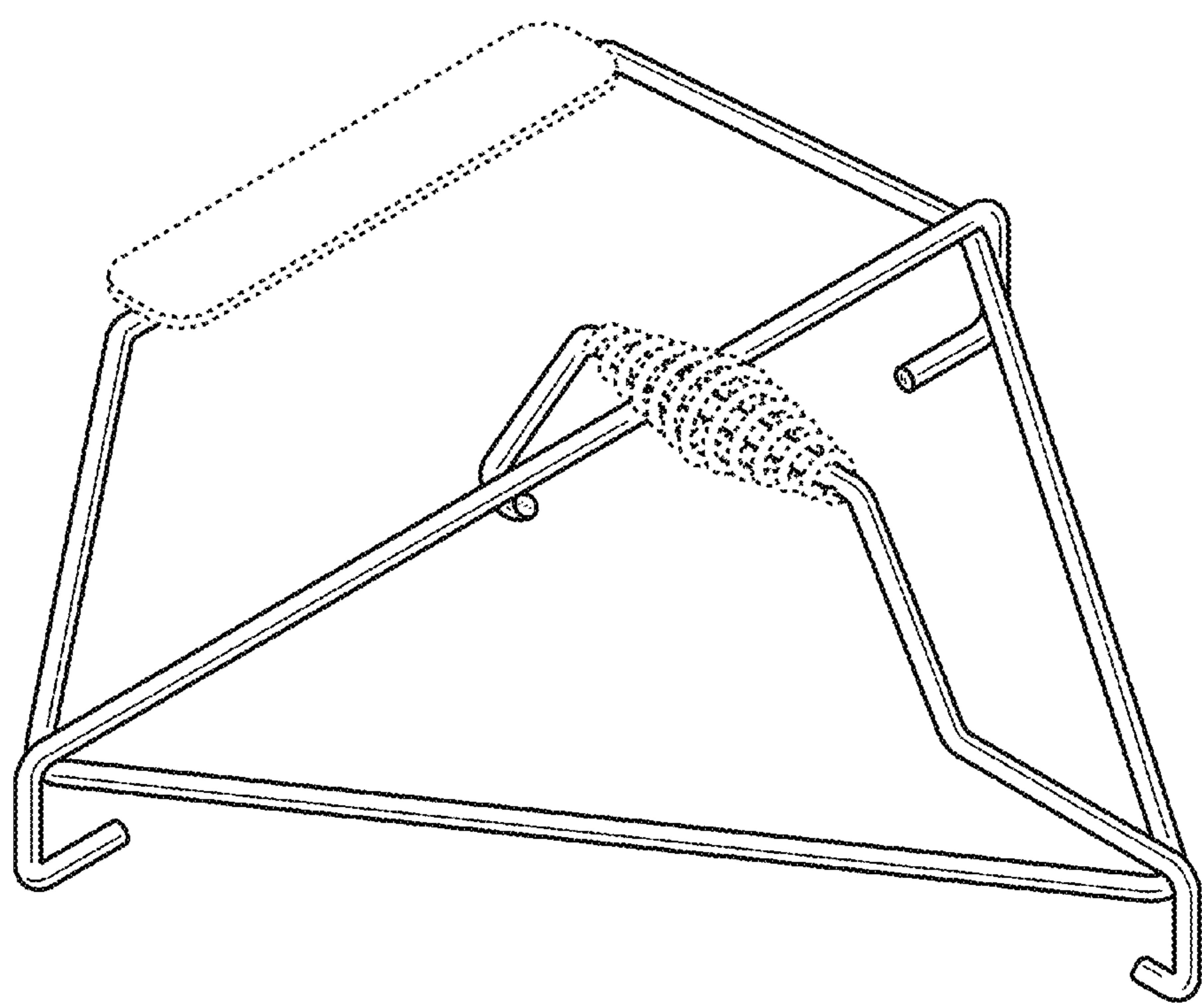
(22) Filed: **Feb. 26, 2015** (58) **Field of Classification Search**
(51) **LOC (10) Cl.** **07-04**
(52) **U.S. Cl.**
USPC **D7/688**
(58) **Field of Classification Search**
USPC D7/688, 669, 368, 387, 402; D8/51, 71,
D8/72
CPC A47J 45/10; A47J 37/0786; A47J 37/07;
A47G 23/0266
See application file for complete search history.

(56) **References Cited**
U.S. PATENT DOCUMENTS
898,010 A 9/1908 Seeland
913,015 A 2/1909 Kennedy
4,648,379 A 3/1987 Fordyce
D312,375 S * 11/1990 Hessler D7/368

DESCRIPTION

FIG. 1 is a top rear perspective view of a pizza stone lifter showing our new design;
FIG. 2 is a top plan view thereof;
FIG. 3 is a bottom plan view thereof;
FIG. 4 is a front elevational view thereof;
FIG. 5 is a rear elevational view thereof; and,
FIG. 6 is a left side elevational view thereof, the right side being a mirror image.
The broken lines shown in FIGS. 1-6 represent a front plate-like handle and a secondary spiral wire handle. Both handles can be gripped for lifting a pizza stone retained in the turned-in wire rod footings at the bottom of the pizza stone lifter. The broken line structures form no part of the claimed design.

1 Claim, 3 Drawing Sheets



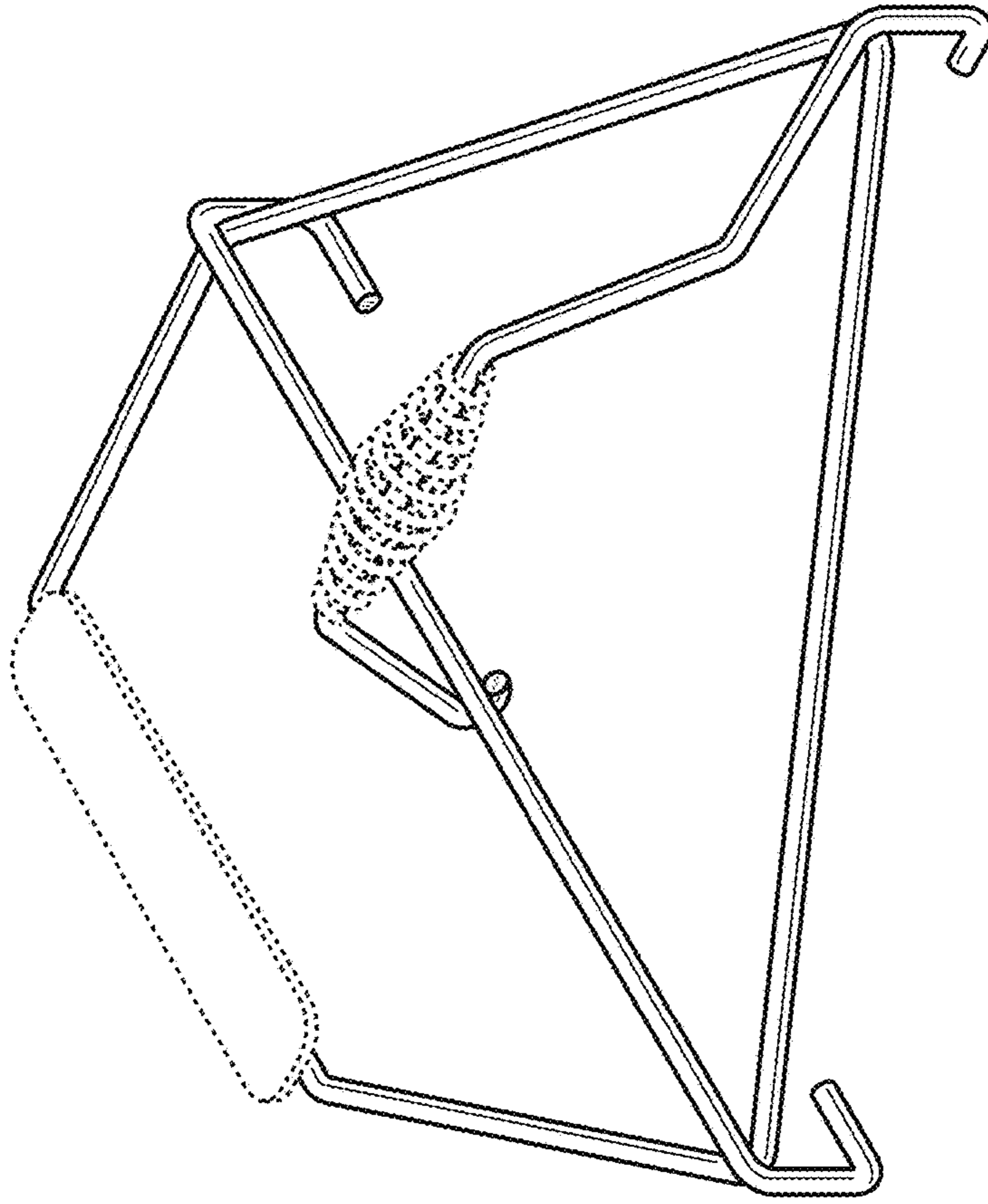


FIG. 1

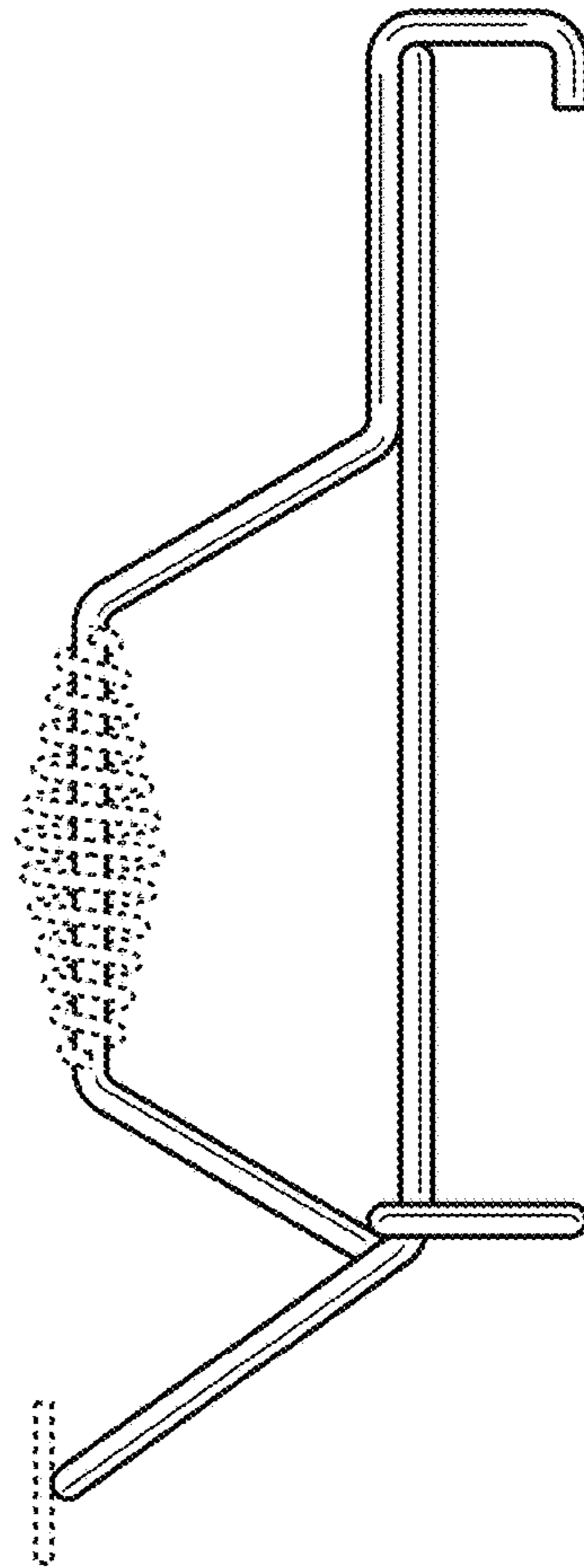


FIG. 6

FIG. 2

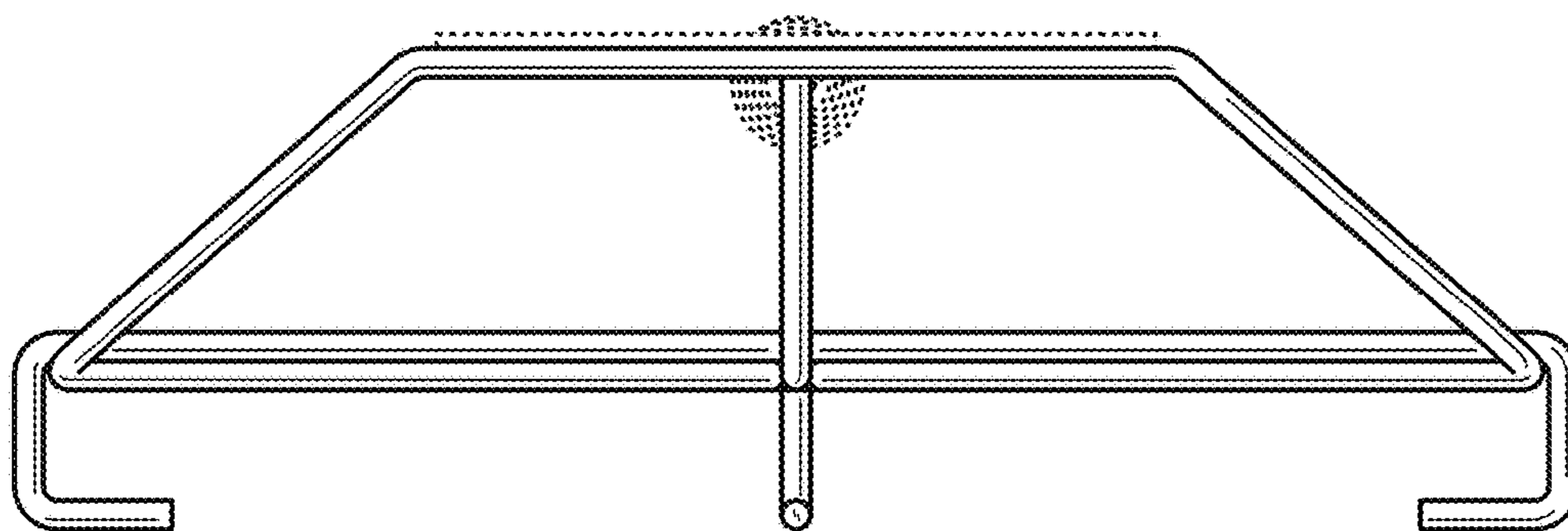
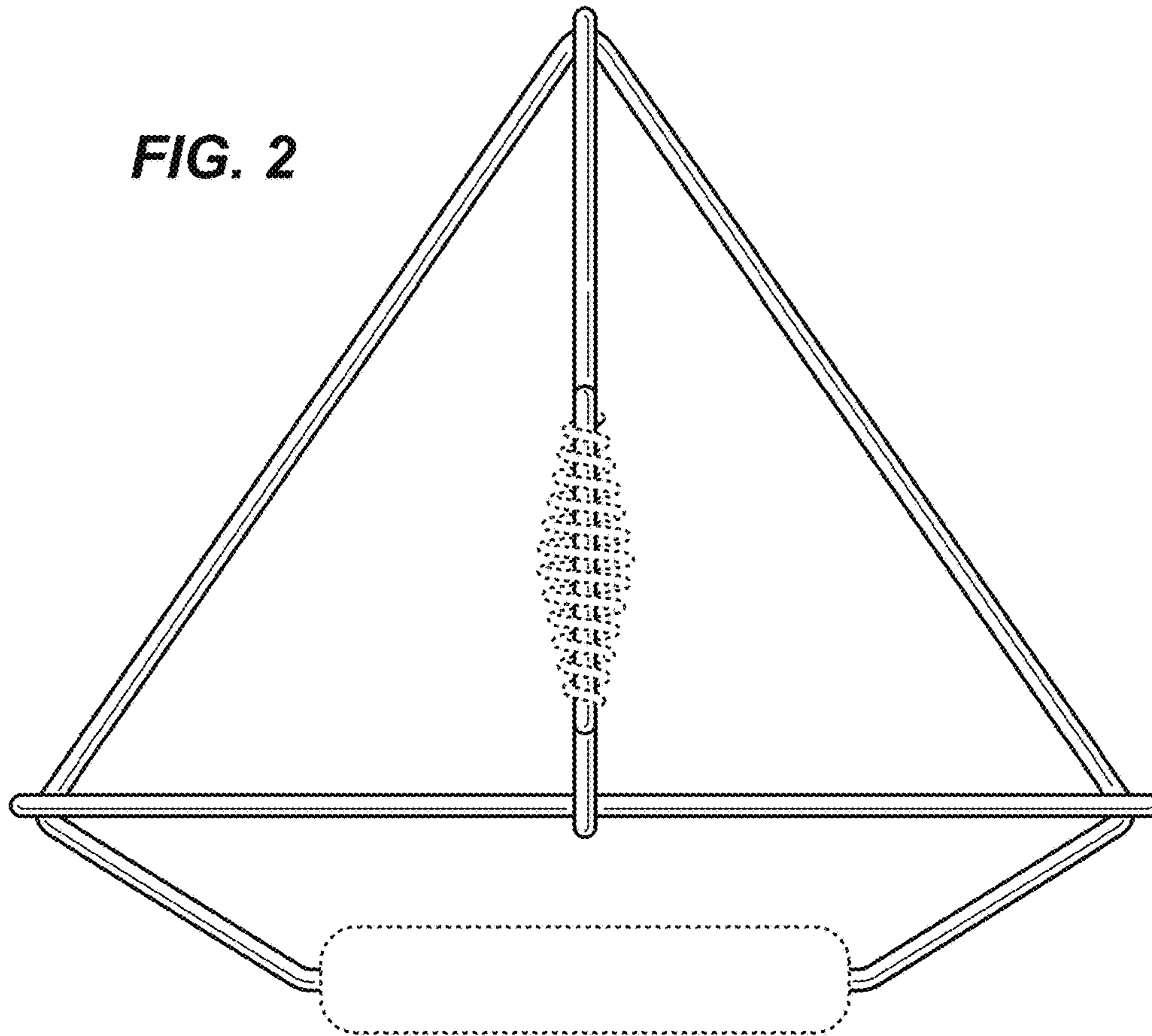


FIG. 4

FIG. 3

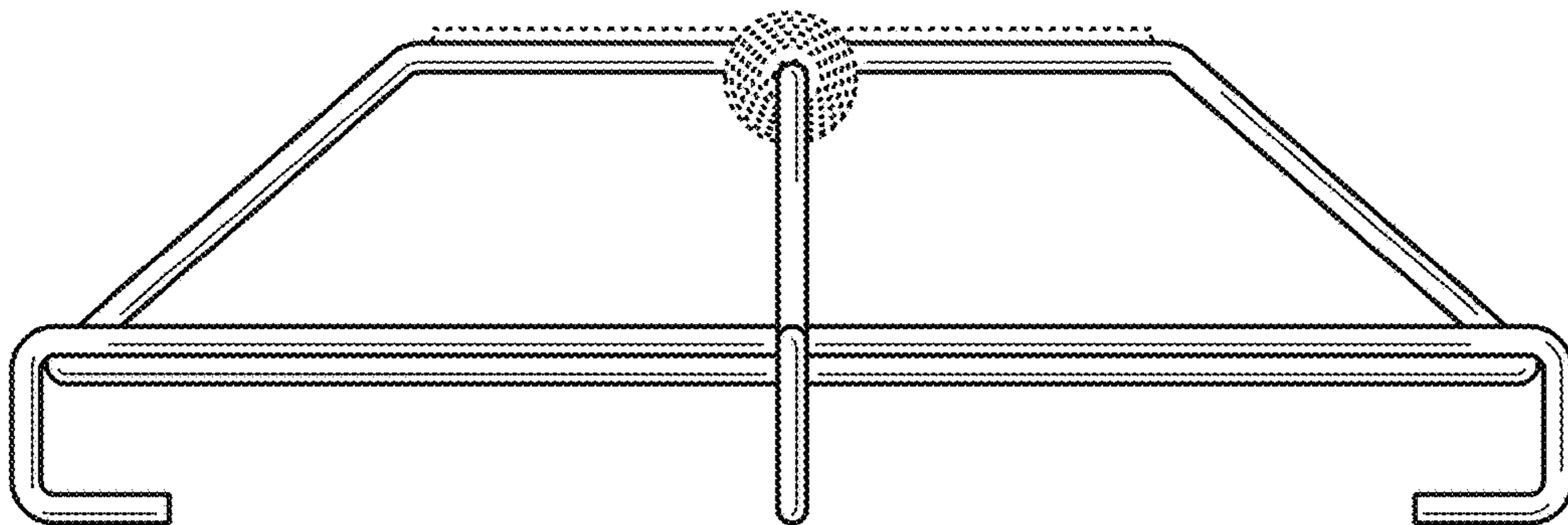
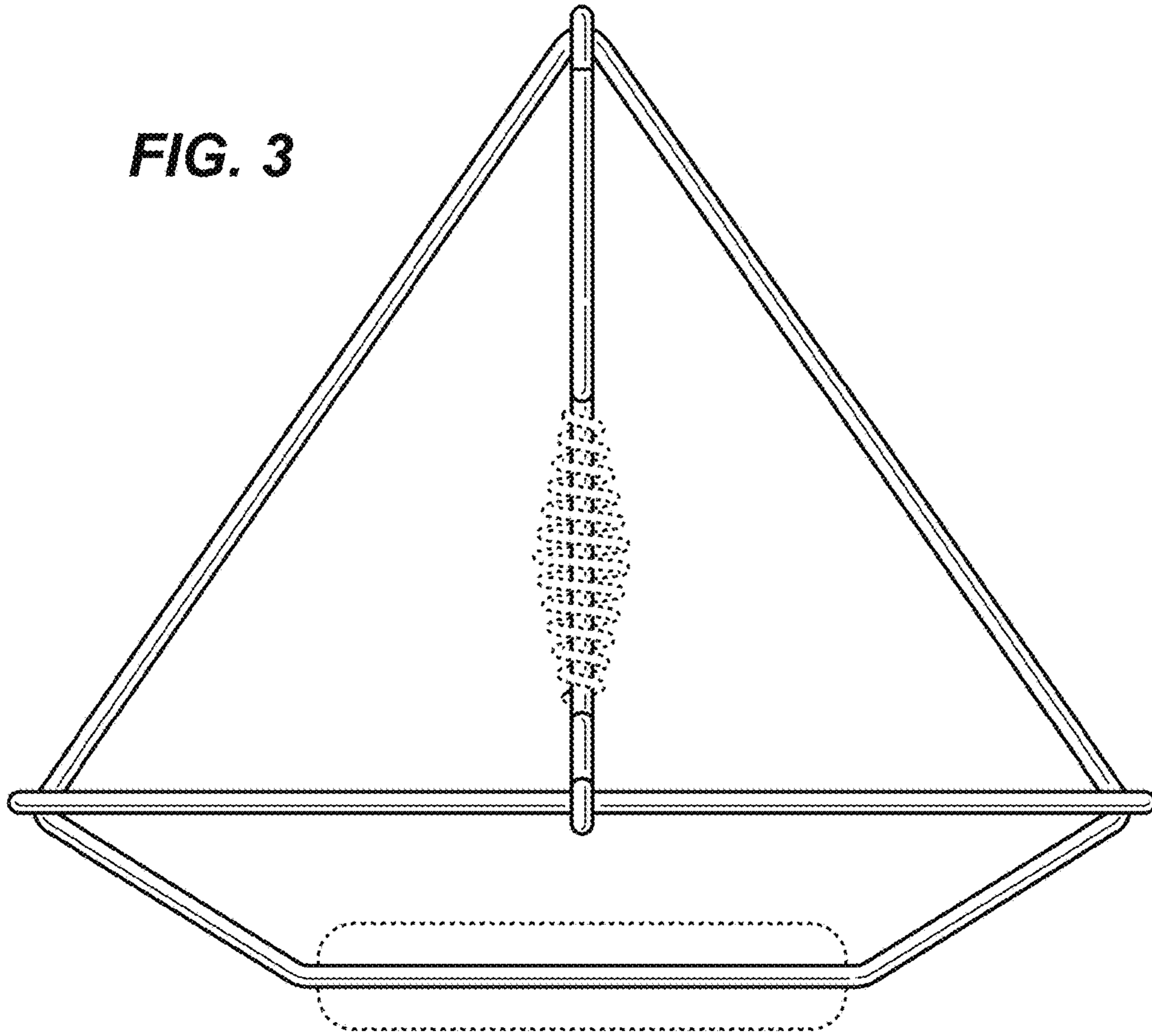


FIG. 5