



US00D779894S

(12) **United States Design Patent**  
**Davies**

(10) **Patent No.:** **US D779,894 S**  
(45) **Date of Patent:** **\*\* Feb. 28, 2017**

(54) **FLAVOR INJECTOR**  
(71) Applicant: **JOSEPH JOSEPH LTD**, London (GB)  
(72) Inventor: **Graeme Davies**, London (GB)  
(73) Assignee: **Joseph Joseph Ltd.**, London (GB)  
(\*\*) Term: **15 Years**  
(21) Appl. No.: **29/541,041**  
(22) Filed: **Sep. 30, 2015**

3,410,457 A \* 11/1968 Brown ..... A47G 21/004  
222/191  
3,530,785 A \* 9/1970 Peters ..... A22C 9/001  
604/117  
4,129,066 A \* 12/1978 Corley ..... A47J 43/16  
99/345  
D252,972 S \* 9/1979 Essig ..... D7/671

\* cited by examiner

*Primary Examiner* — Terry Wallace  
(74) *Attorney, Agent, or Firm* — Millen White Zelano & Branigan, P.C.

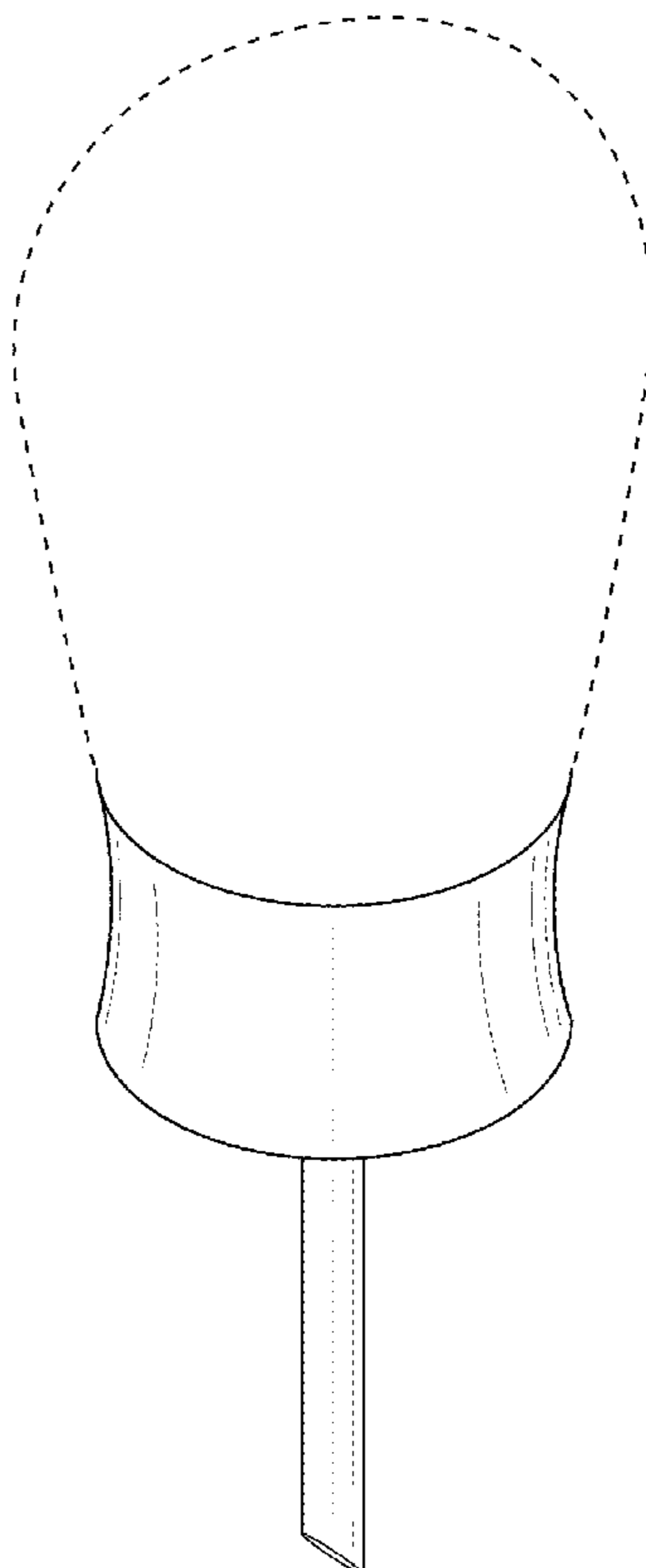
(30) **Foreign Application Priority Data**  
Apr. 13, 2015 (EM) ..... 002679845-0001  
(51) **LOC (10) Cl.** ..... **07-04**  
(52) **U.S. Cl.**  
USPC ..... **D7/669**  
(58) **Field of Classification Search**  
USPC ..... D7/669, 368, 671; D8/42, 47  
CPC ..... A23B 4/28; A22C 17/0053; A47J 43/16;  
F25C 5/043  
See application file for complete search history.

(57) **CLAIM**  
The ornamental design for a flavor injector, as shown and described.

(56) **References Cited**  
**U.S. PATENT DOCUMENTS**  
2,215,492 A \* 9/1940 Zimmer ..... F25C 5/043  
30/142  
3,082,681 A \* 3/1963 Petersen ..... A23B 4/28  
141/329

**DESCRIPTION**  
FIG. 1 is a top perspective view of the flavor injector showing my new design.  
FIG. 2 is a side view thereof.  
FIG. 3 is another side view thereof.  
FIG. 4 is another side view thereof.  
FIG. 5 is top view thereof.  
FIG. 6 is a bottom view thereof; and,  
FIG. 7 is a top perspective exploded view thereof.  
The broken lines in the drawings illustrate portions of the flavor injector which form no part of the claimed design.

**1 Claim, 7 Drawing Sheets**



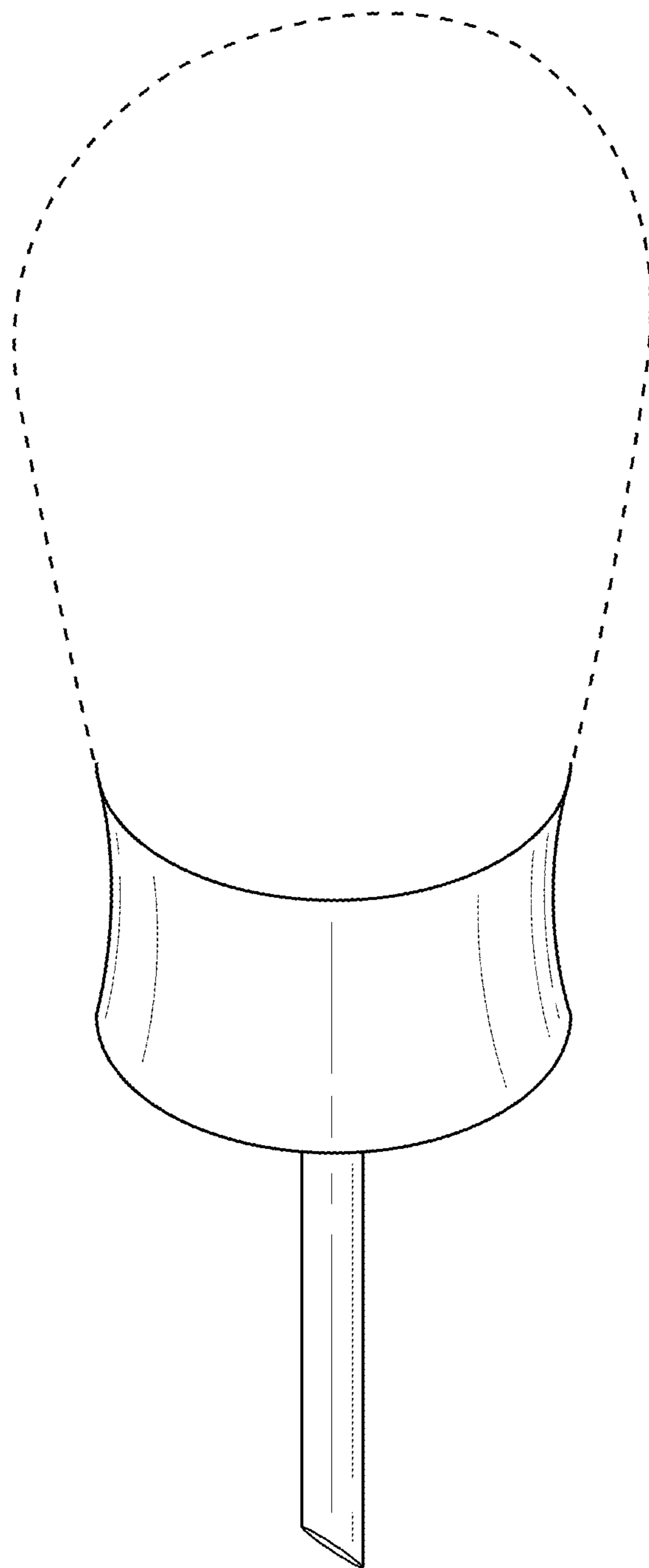


FIG. 1

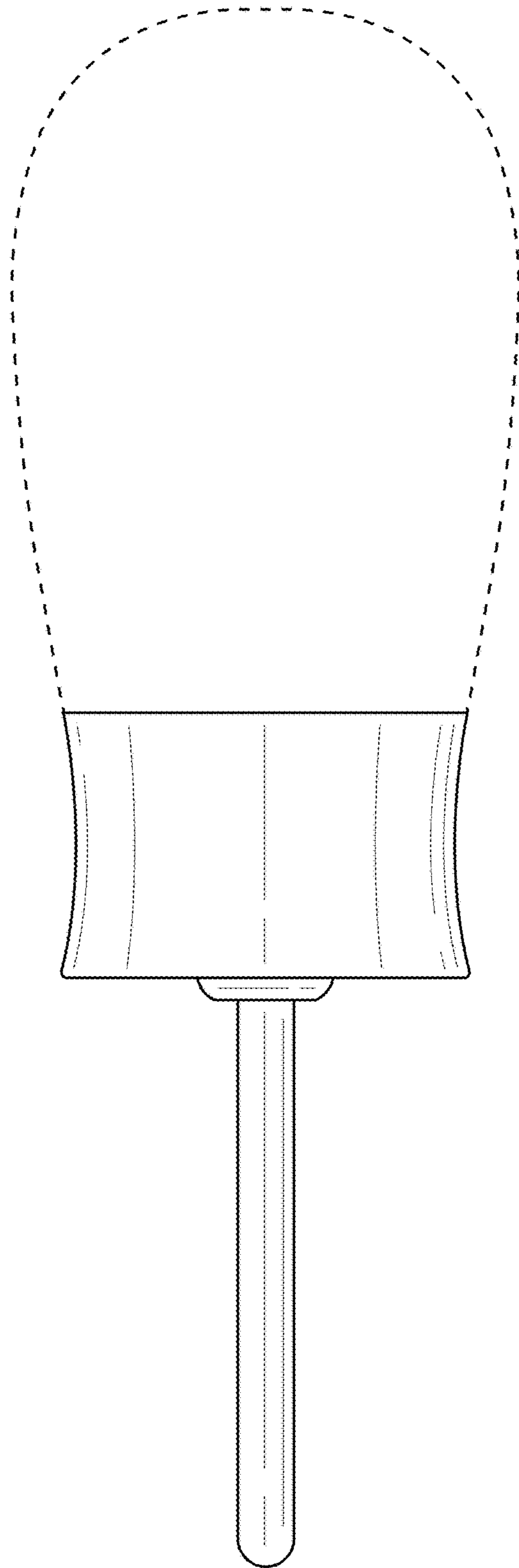


FIG. 2

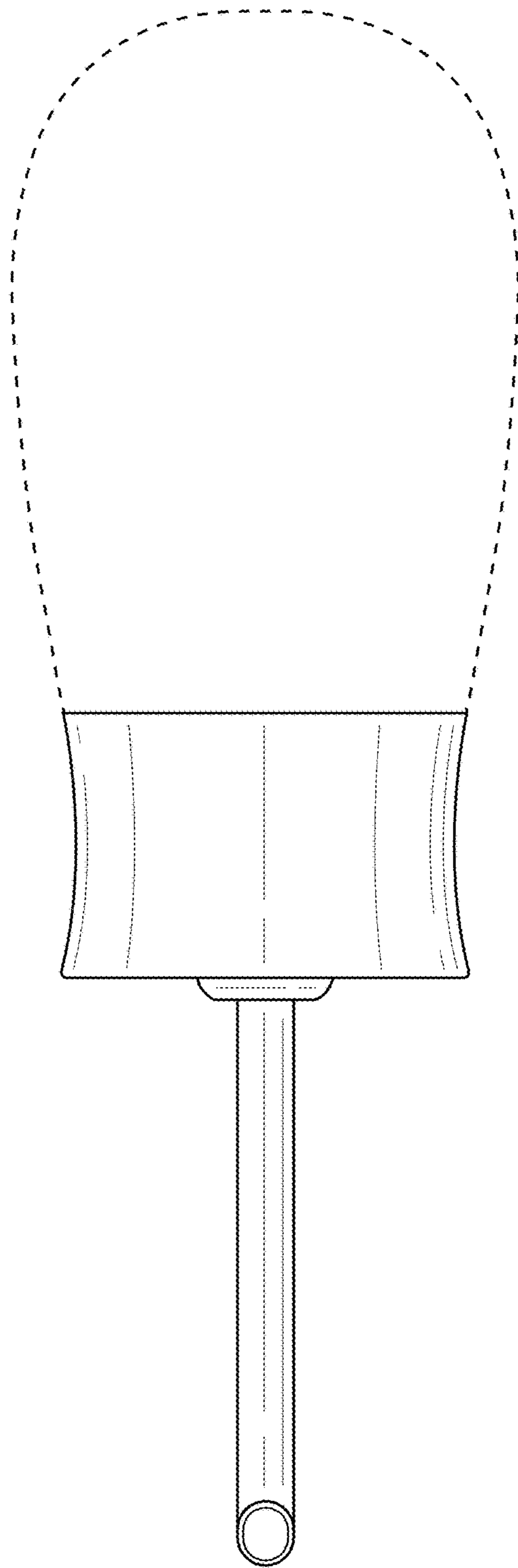


FIG. 3

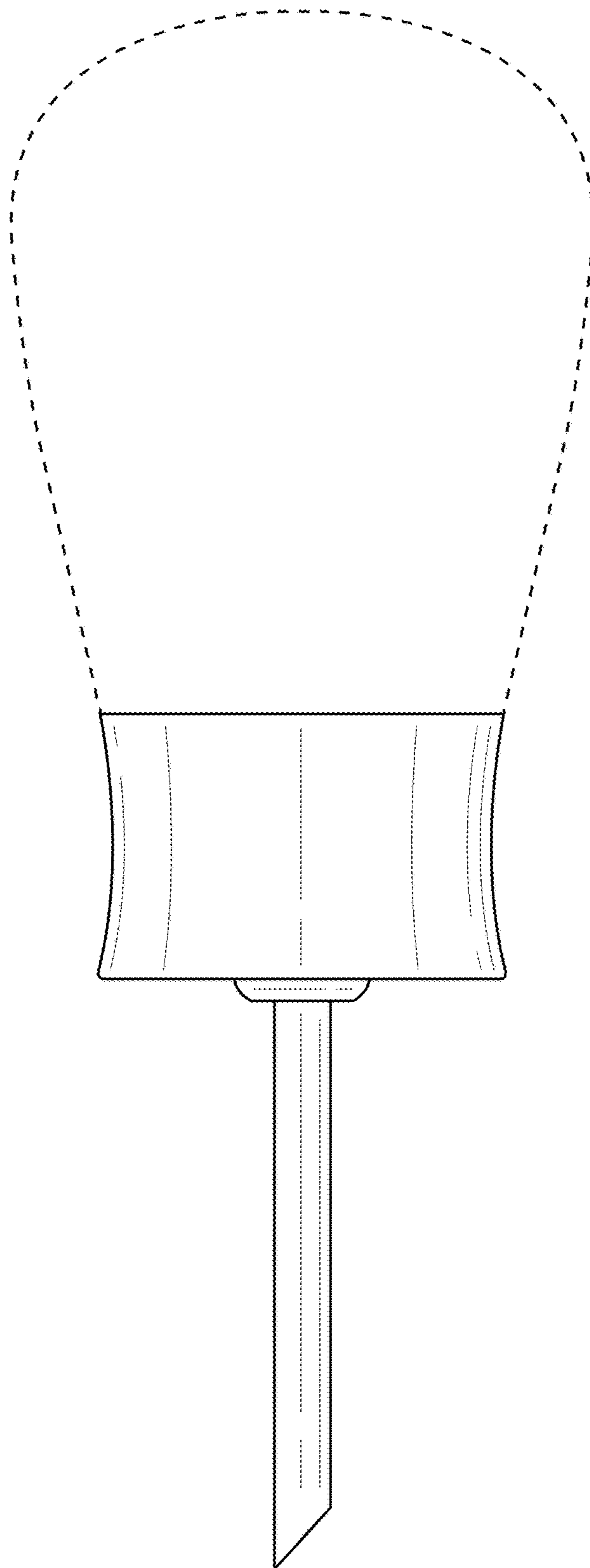


FIG. 4

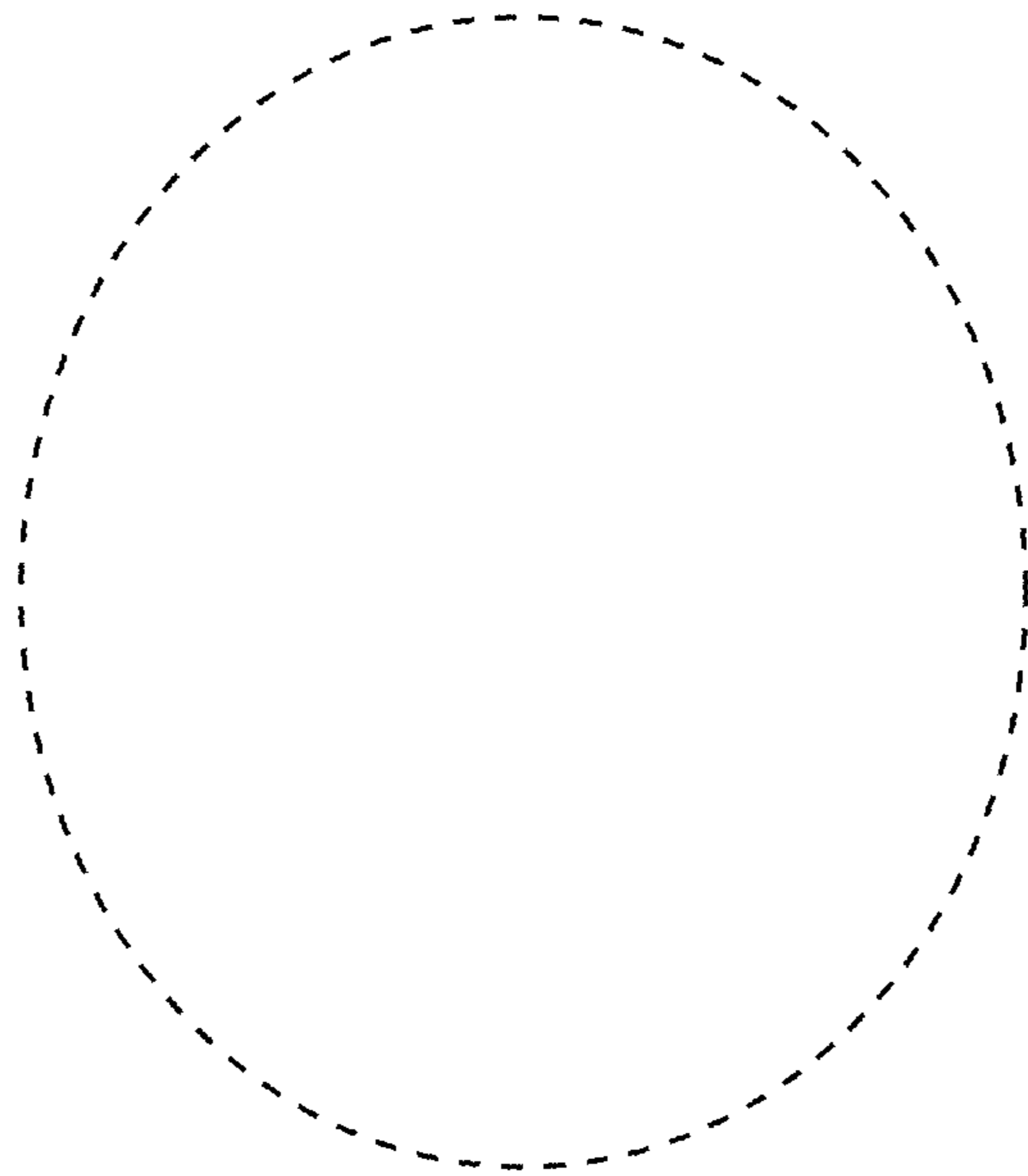


FIG. 5

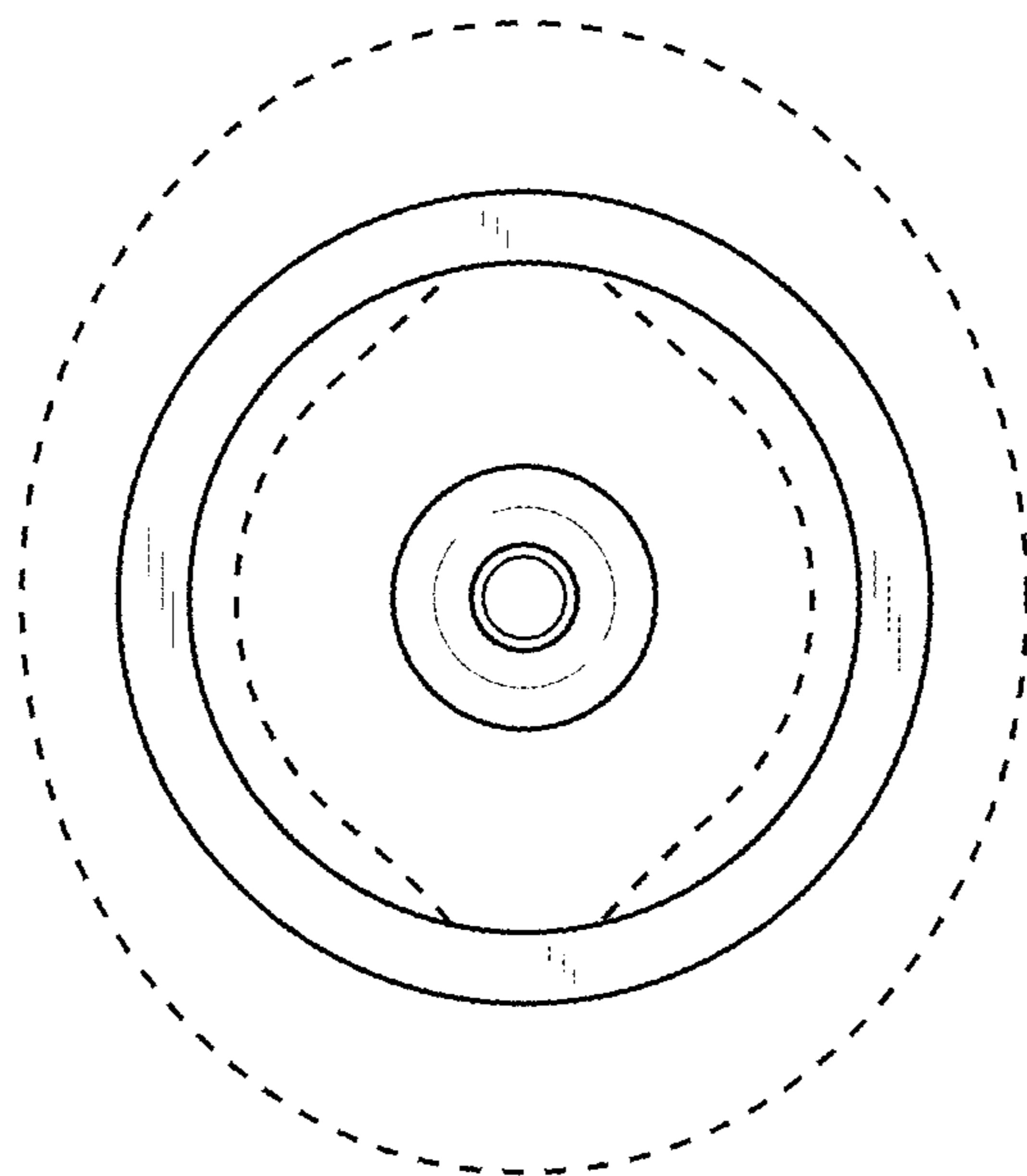


FIG. 6

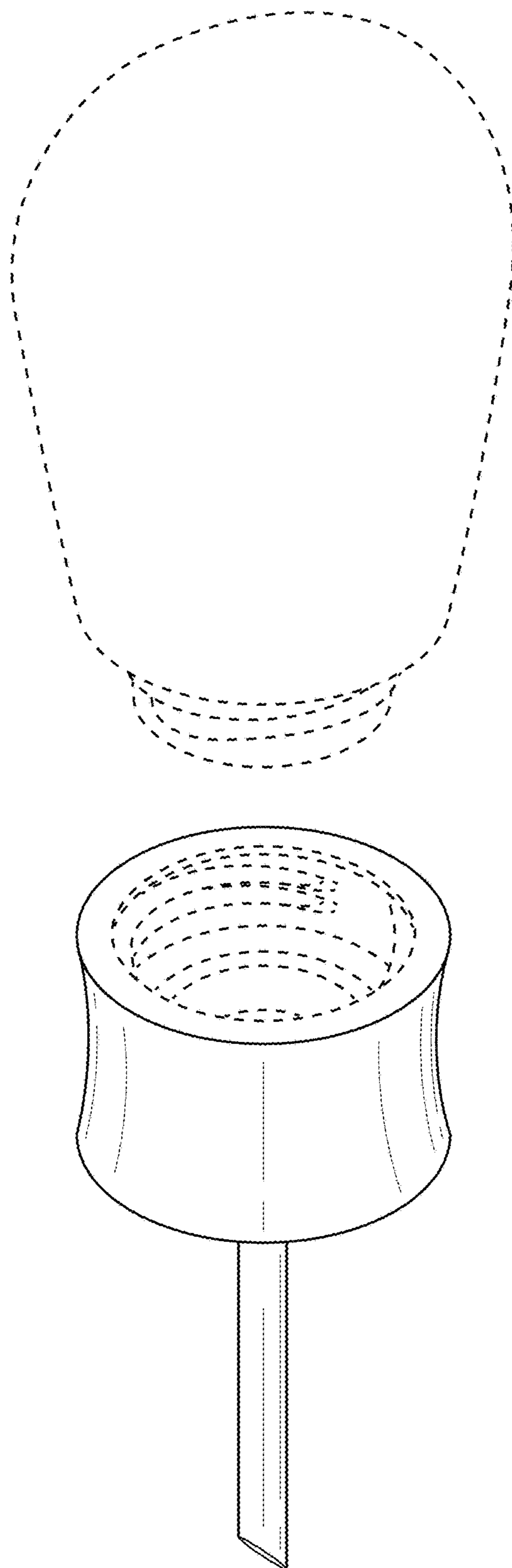


FIG. 7