



US00D779893S

(12) **United States Design Patent**
deBretton Gordon et al.

(10) **Patent No.:** **US D779,893 S**

(45) **Date of Patent:** **** Feb. 28, 2017**

(54) **KNIFE INSERT FOR DRAWER**
(71) Applicant: **Robert Welch Designs Ltd.**, Chipping
Campden, Gloucestershire (GB)
(72) Inventors: **Iain Paul deBretton Gordon**,
Shipston-on-Stour (GB); **Ian Michael**
Redfern, Frome (GB)

5,988,382 A * 11/1999 Ritchie B25H 3/04
206/372
6,230,888 B1 * 5/2001 Frieze A61B 50/22
206/370
D618,979 S * 7/2010 deBretton Gordon D8/93
7,975,857 B2 * 7/2011 Restis A47J 47/16
206/553
2010/0117498 A1 * 5/2010 Leinmuller A47L 15/502
312/228.1

(73) Assignee: **ROBERT WELCH DESIGNS LTD.**,
Chipping Campden, Gloucestershire
(GB)

(**) Term: **14 Years**

(21) Appl. No.: **29/508,813**

(22) Filed: **Nov. 11, 2014**

(30) **Foreign Application Priority Data**

May 19, 2014 (EM) 001411938-0001

(51) **LOC (10) Cl.** **07-99**

(52) **U.S. Cl.**
USPC **D7/637**

(58) **Field of Classification Search**
USPC D7/509, 523, 558, 584, 631, 637-641;
211/1.53, 56, 58, 60, 70, 70.7, 77, 78,
211/131.1, 163; 248/37.3, 37.6
CPC A47F 5/15; A47F 7/00; A47G 21/00;
A47G 21/14; B26B 3/00; B26B 27/00
See application file for complete search history.

(56) **References Cited**

U.S. PATENT DOCUMENTS

3,135,383 A * 6/1964 Bloch A47G 21/14
206/553
D411,718 S * 6/1999 Davis D7/637
5,961,927 A * 10/1999 Isaacs B01L 9/54
211/60.1

OTHER PUBLICATIONS

Mundial Solid Wood In-Drawer Knife Storage Tray, announced
May 2005, [online], site visited Jul. 20, 2016. Available from
Internet, <URL: <http://www.amazon.com>>.*

* cited by examiner

Primary Examiner — Ian Simmons

Assistant Examiner — Janice Lim

(74) *Attorney, Agent, or Firm* — MacMillan, Sobanski &
Todd, LLC

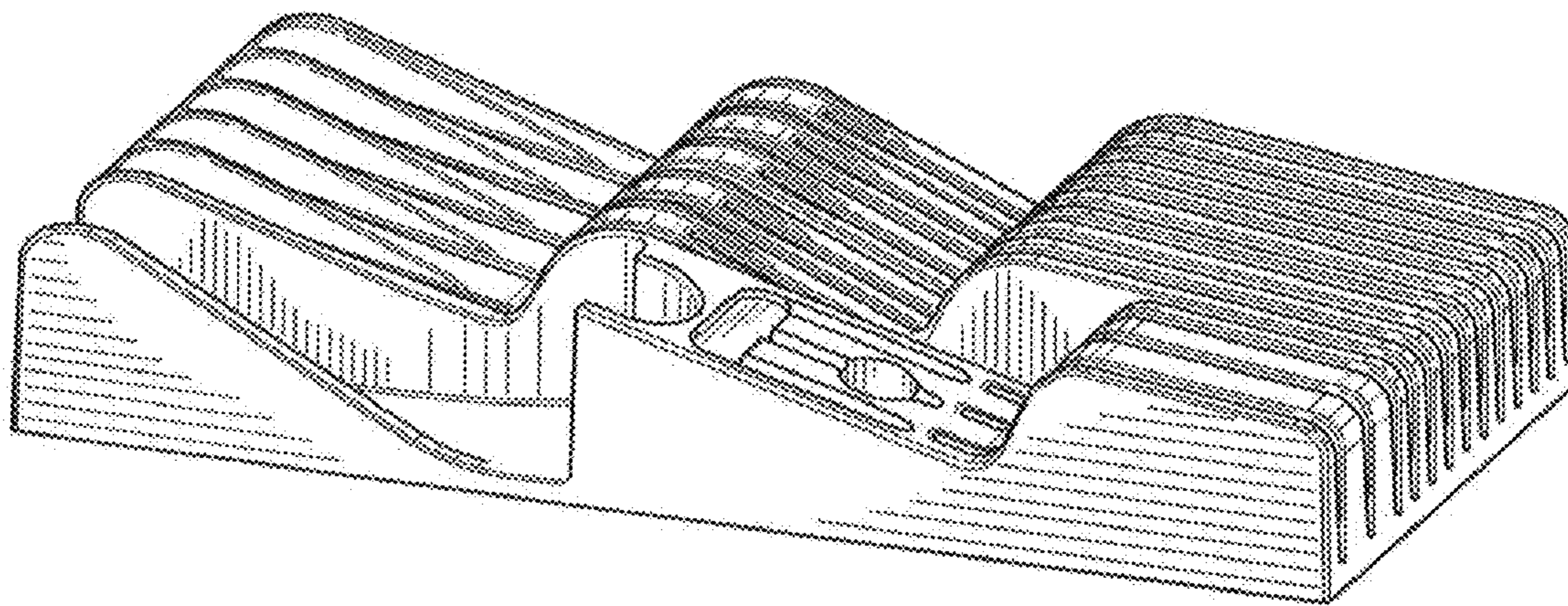
(57) **CLAIM**

The ornamental design for a knife insert for drawer, as show
and described.

DESCRIPTION

FIG. 1 is a top, front, right side perspective view of a knife
insert for drawer showing our new design;
FIG. 2 is a right side elevational view thereof;
FIG. 3 is a left side elevational view thereof;
FIG. 4 is a top view thereof;
FIG. 5 is a bottom view thereof;
FIG. 6 is a front view thereof; and,
FIG. 7 is a back view thereof.
The broken line portions are included to show unclaimed
subject matter only and form no part of the claimed design.

1 Claim, 5 Drawing Sheets



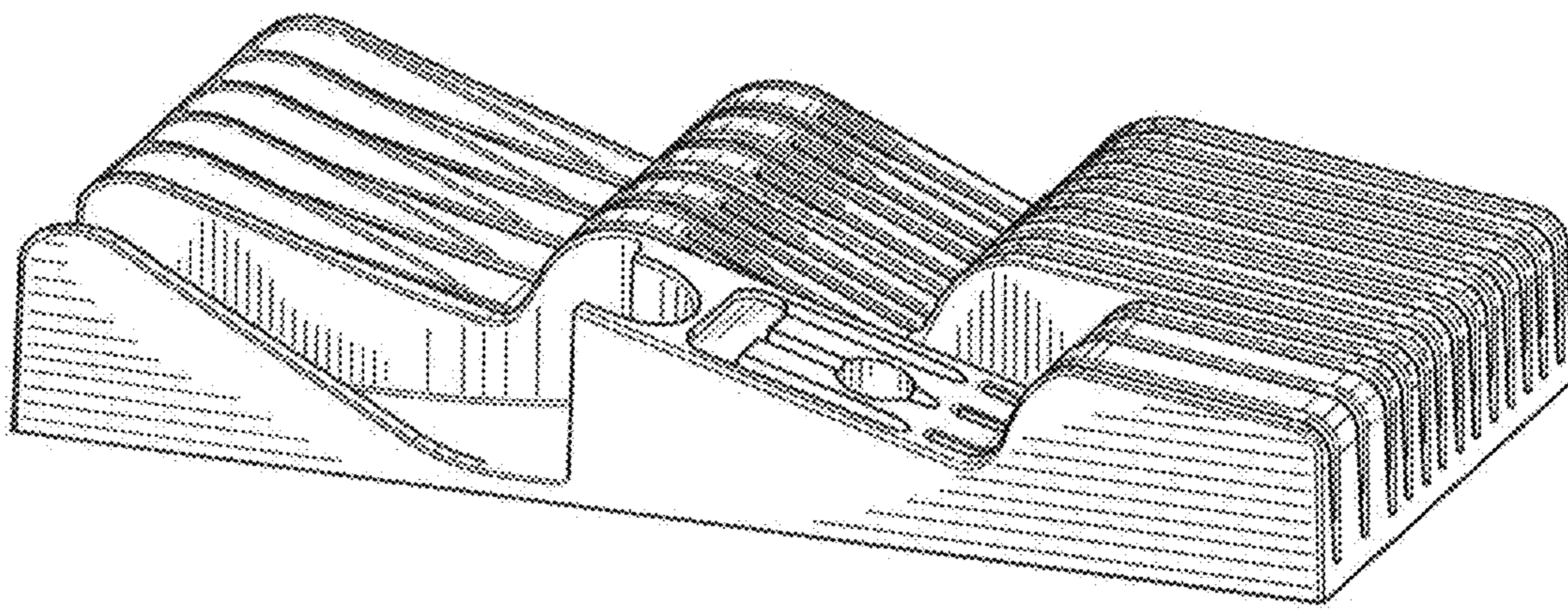


FIG. 1

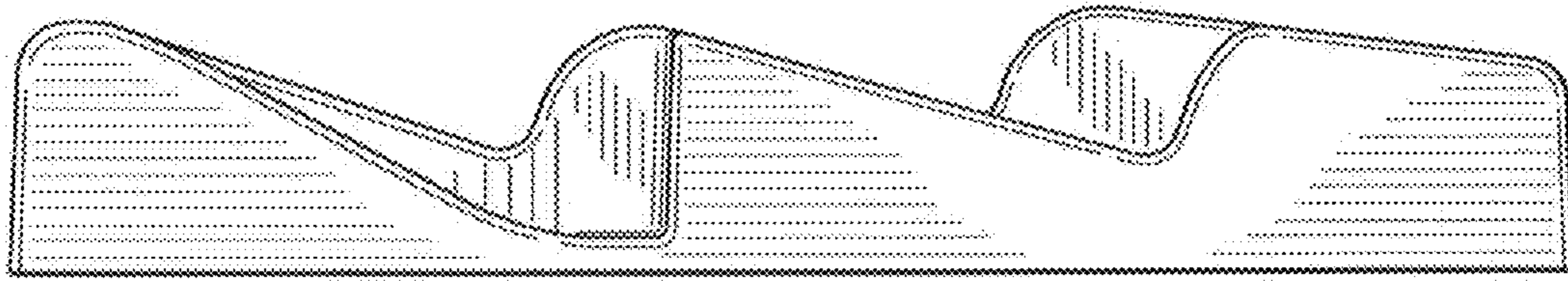


FIG. 2

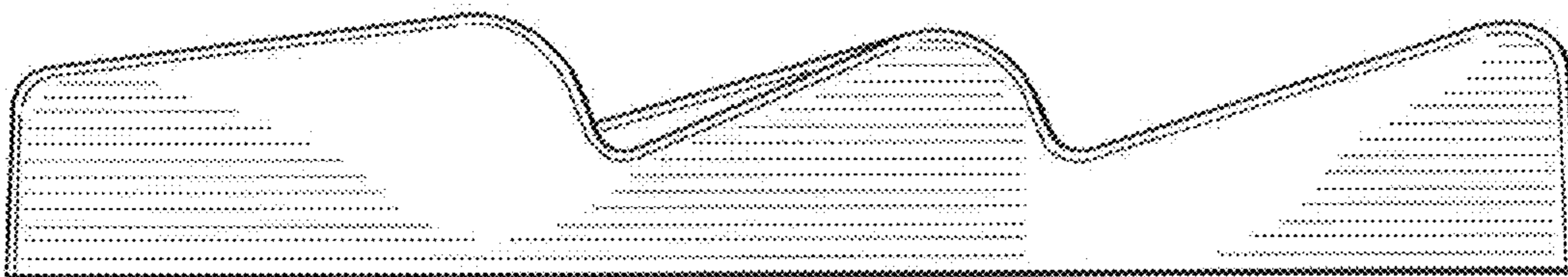


FIG. 3

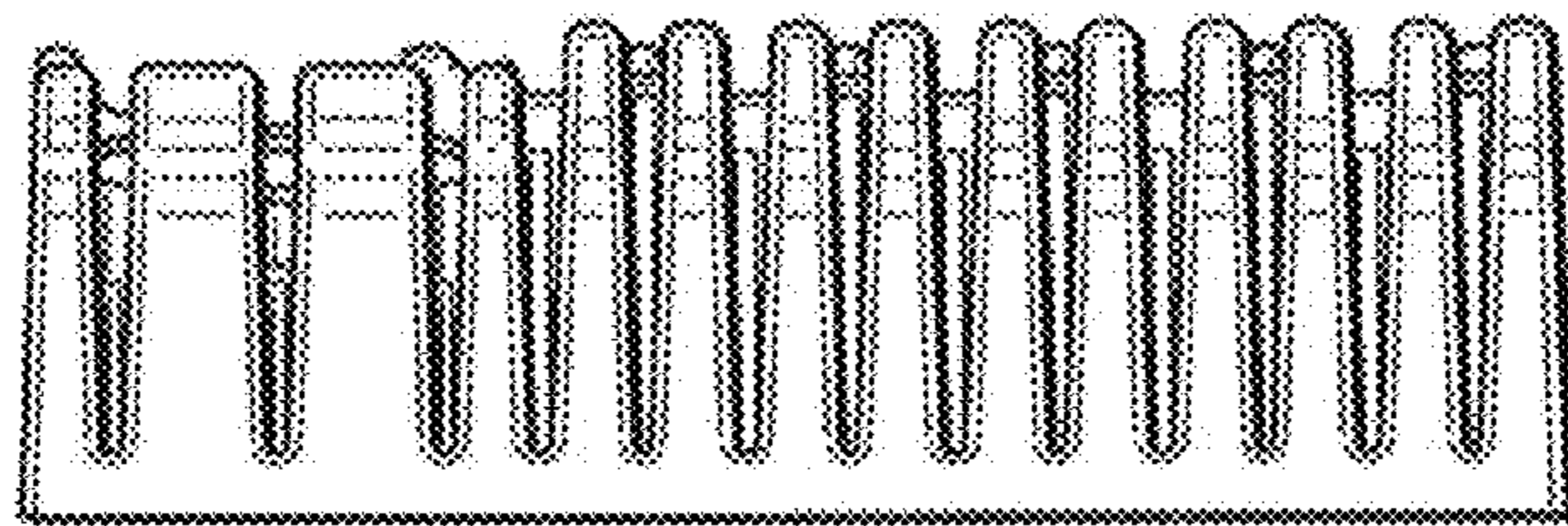


FIG. 4

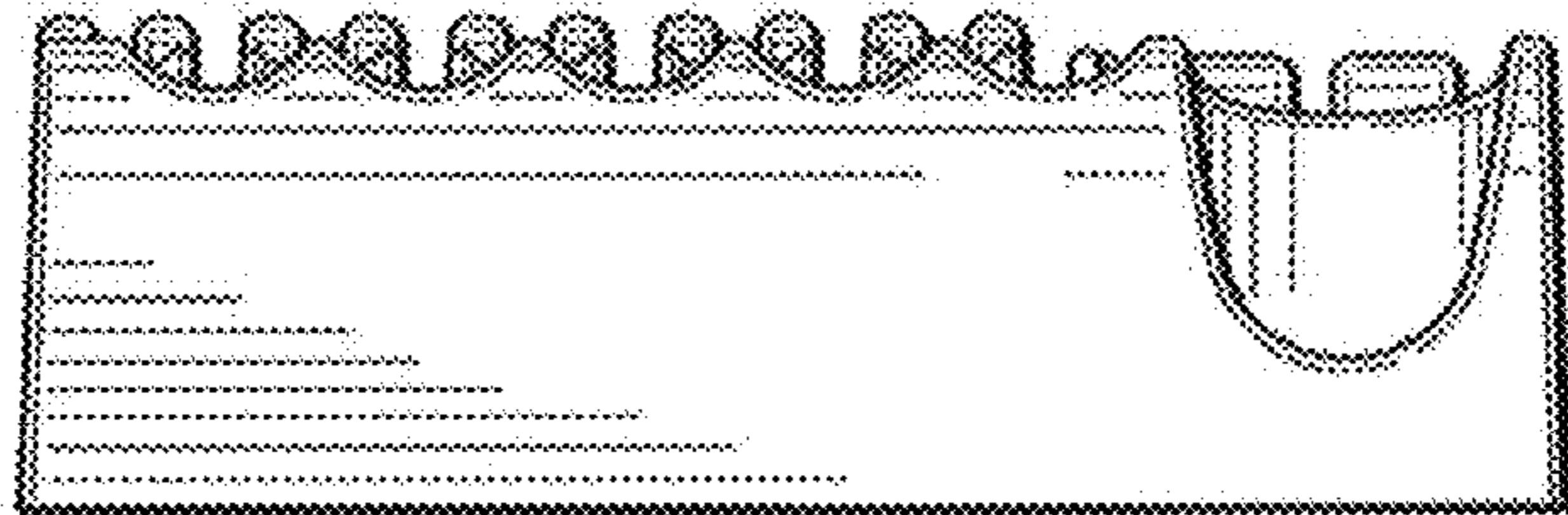


FIG. 5

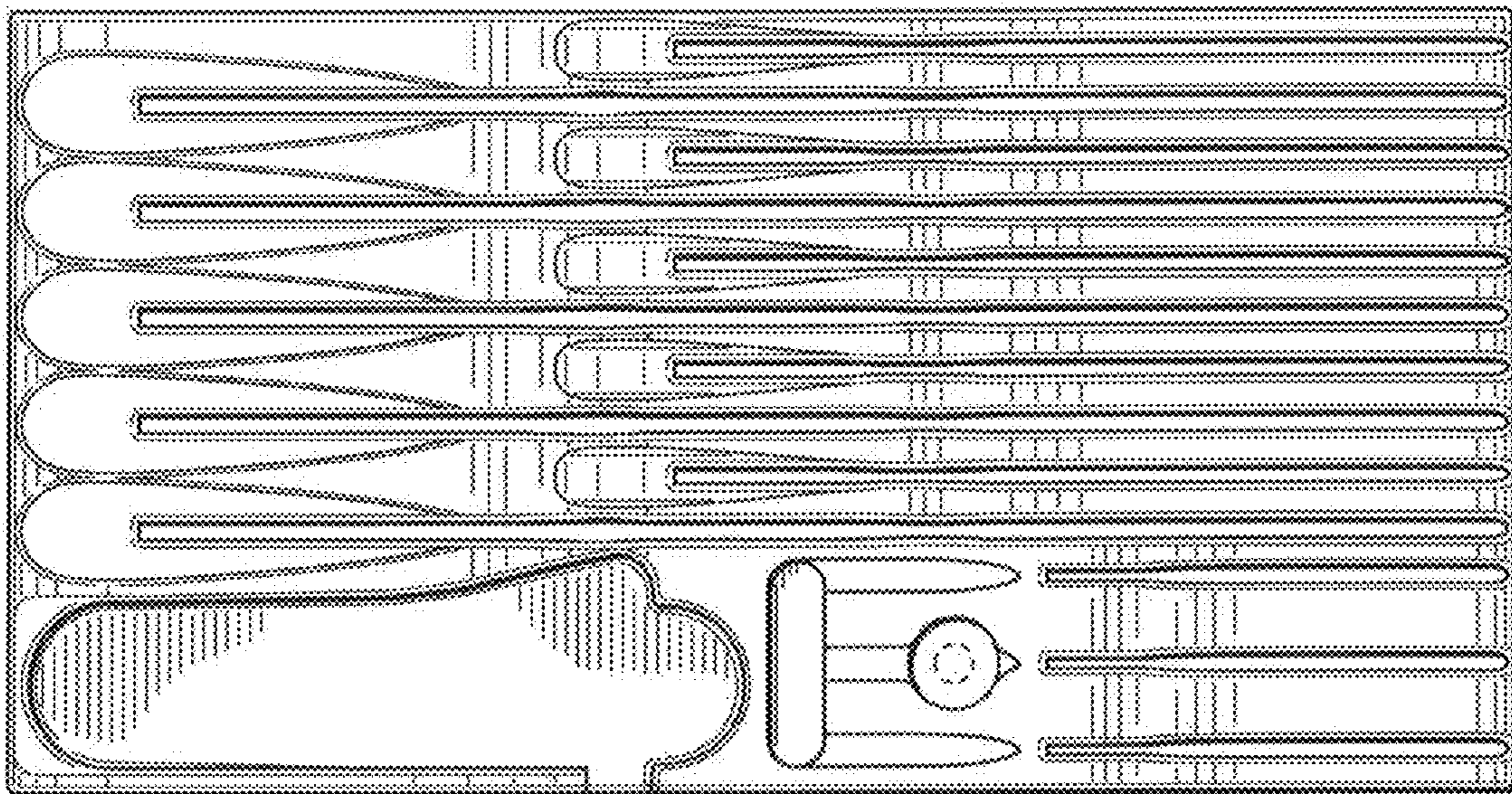


FIG. 6

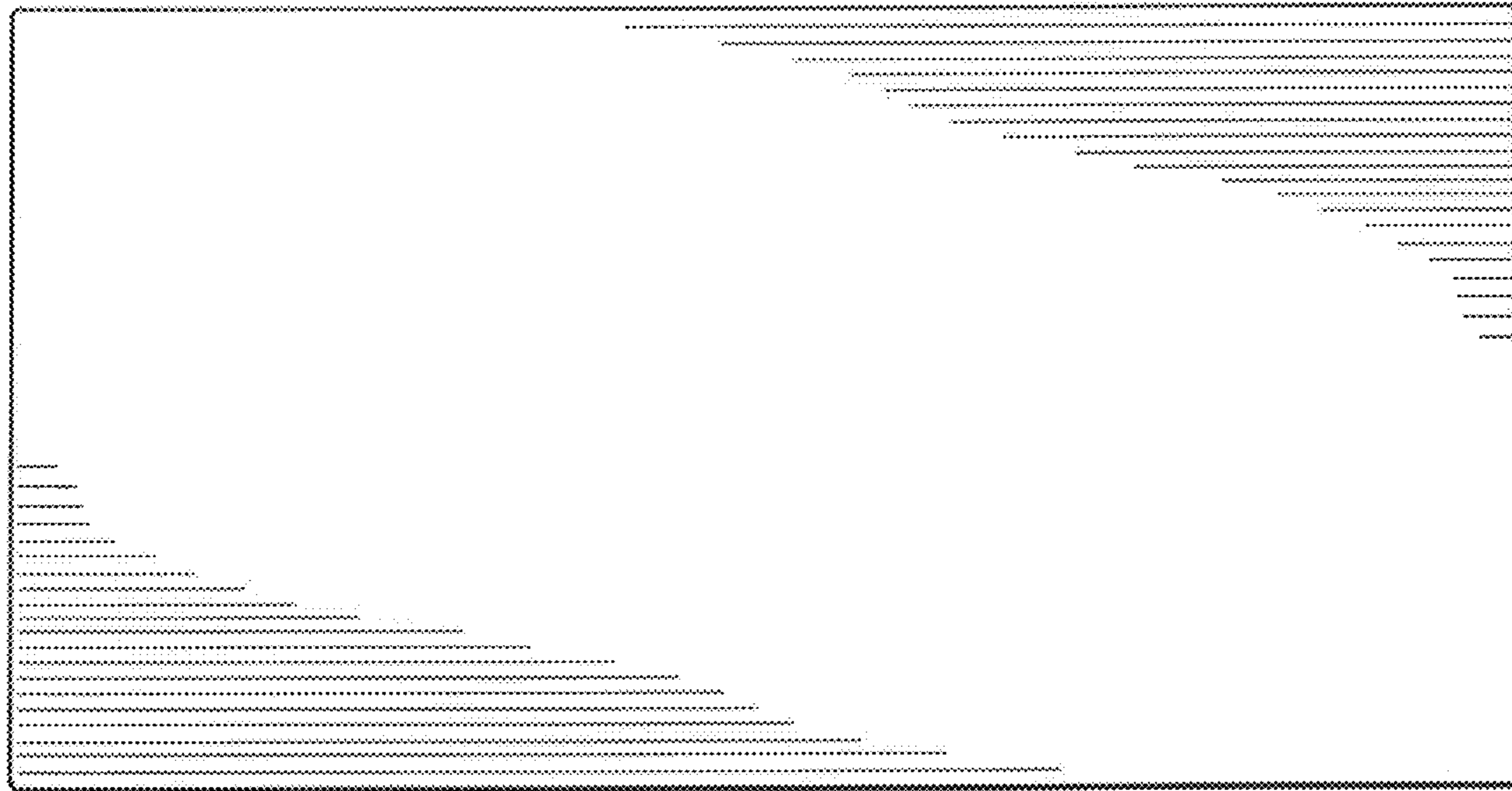


FIG. 7