



US00D779890S

(12) **United States Design Patent** (10) **Patent No.:** **US D779,890 S**  
**Muller et al.** (45) **Date of Patent:** **\*\* Feb. 28, 2017**

(54) **HOPPER**  
 (71) Applicant: **STARBUCKS CORPORATION**,  
 Seattle, WA (US)  
 (72) Inventors: **Elisabeth G. M. Coolen Muller**,  
 Seattle, WA (US); **Andre Y. Kim**,  
 Seattle, WA (US)  
 (73) Assignee: **Starbucks Corporation**, Seattle, WA  
 (US)

D238,456 S 1/1976 Mouwen et al.  
 3,933,282 A 1/1976 Stevens, Jr.  
 D252,655 S 8/1979 Dibling  
 D264,594 S \* 5/1982 Lyons ..... D20/7  
 D267,856 S \* 2/1983 Smith ..... D7/313  
 D273,330 S \* 4/1984 Rouch ..... D23/209  
 D275,829 S \* 10/1984 Starke ..... D7/589  
 4,790,239 A 12/1988 Hewitt  
 D330,746 S \* 11/1992 Zazulia ..... D23/209  
 D375,872 S 11/1996 Romero et al.  
 D395,206 S 6/1998 Romero et al.

(Continued)

(\*\*) Term: **15 Years**

**OTHER PUBLICATIONS**

(21) Appl. No.: **29/540,114**

Photo of Larry's Beans Coffee display, downloaded from <http://triangleexplorer.com/2010/02/28/picture-of-the-week-larrys-beans/>, posted Feb. 28, 2010, site visited Aug. 13, 2015.

(22) Filed: **Sep. 21, 2015**

(Continued)

(51) **LOC (10) Cl.** ..... **07-06**

(52) **U.S. Cl.**  
 USPC ..... **D7/589**

(58) **Field of Classification Search**  
 USPC ..... D7/300, 300.1, 301, 302, 303, 305, 307,  
 D7/308, 309, 310, 312, 313, 314, 315,  
 D7/316, 320, 321, 322, 589, 590, 598,  
 D7/599, 600, 601, 602, 387, 397, 398,  
 D7/399, 400, 401.1, 412, 700, 369, 370,  
 D7/371, 372, 373, 376, 679; D23/209,  
 D23/210, 365; 99/275, 323.3  
 CPC ..... A47J 42/00; A47J 42/50; A47J 31/42;  
 A47J 31/404; A47J 31/44; A47J  
 31/60; A47J 47/01; A47J 47/02; A47J  
 47/04; A47J 47/08; A47J 47/00; B67C  
 11/00; B67C 11/02

*Primary Examiner* — Ian Simmons  
*Assistant Examiner* — Shannon Morgan  
 (74) *Attorney, Agent, or Firm* — Knobbe Martens Olson  
 & Bear LLP

See application file for complete search history.

(56) **References Cited**

**U.S. PATENT DOCUMENTS**

D28,609 S \* 5/1898 Merriam ..... D7/412  
 1,168,988 A 1/1916 Zimmermann  
 2,746,646 A 5/1956 Hall  
 D187,413 S 3/1960 Marsh et al.  
 D187,414 S 3/1960 Marsh et al.  
 D190,205 S \* 4/1961 Christoffersen ..... D7/397  
 3,593,649 A 7/1971 Novi et al.

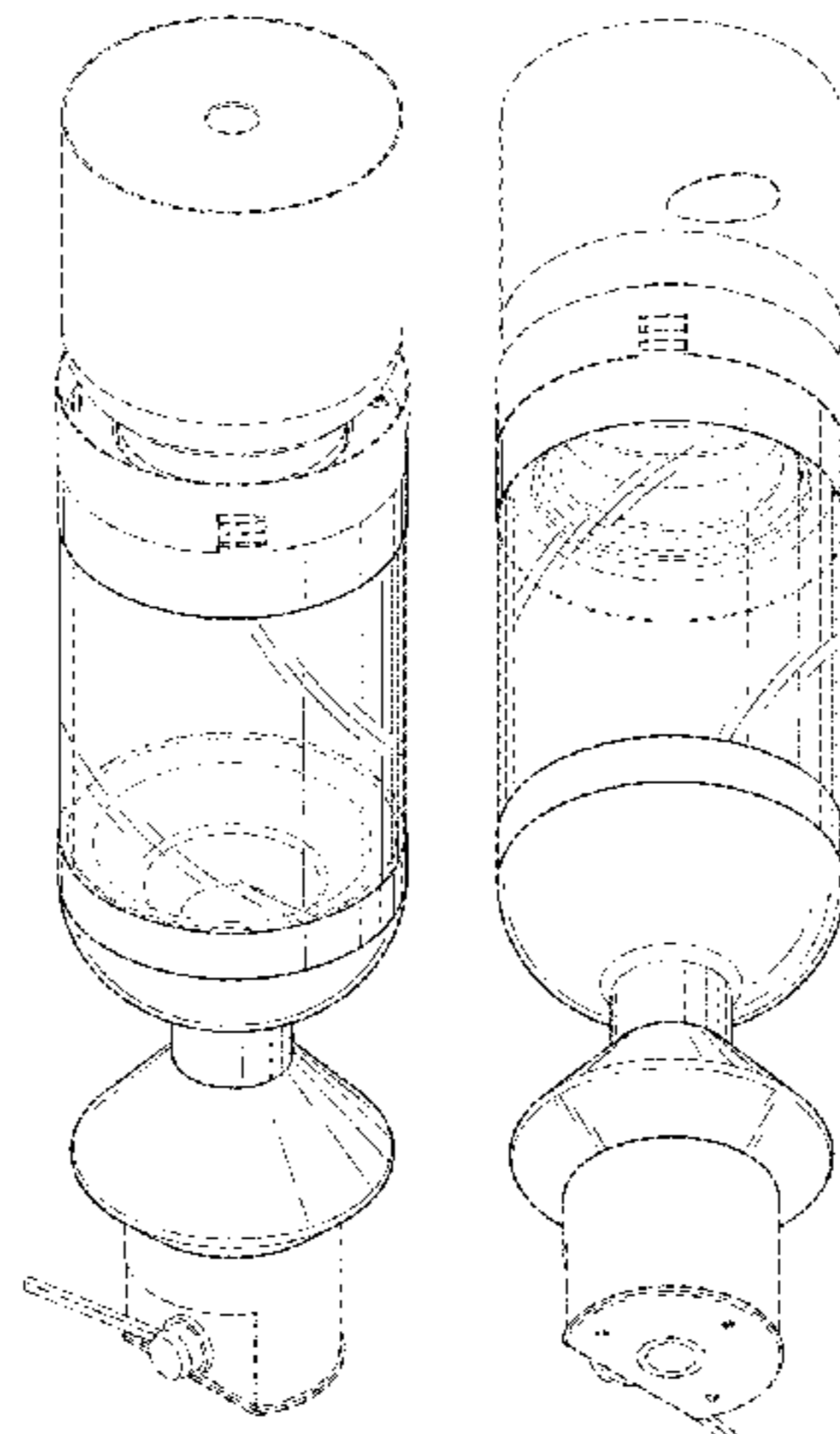
(57) **CLAIM**

We claim the ornamental design for a hopper, as shown and described.

**DESCRIPTION**

FIG. 1 is a top, front, and left side perspective view of a hopper showing our new design;  
 FIG. 2 is a rear, bottom, and left side perspective view thereof;  
 FIG. 3 is a front view thereof;  
 FIG. 4 is a rear view thereof;  
 FIG. 5 is a left side view thereof;  
 FIG. 6 is a right side view thereof;  
 FIG. 7 is a top view thereof; and,  
 FIG. 8 is a bottom view thereof.  
 The broken lines shown in FIGS. 1-8 represent portions of the hopper that form no part of the claimed design.

**1 Claim, 7 Drawing Sheets**



(56)

**References Cited**

U.S. PATENT DOCUMENTS

D396,995 S \* 8/1998 Miltenberger ..... D7/397  
D397,913 S \* 9/1998 Miliani ..... D7/589  
D507,936 S \* 8/2005 Gold ..... D7/589  
D530,968 S \* 10/2006 Bodum ..... D7/300.1  
D536,916 S 2/2007 Payne  
D557,977 S \* 12/2007 Neace ..... D7/397  
D606,805 S \* 12/2009 Neace ..... D7/399  
D640,084 S \* 6/2011 Sheppard ..... D7/316  
D645,288 S \* 9/2011 Kusch ..... D7/300  
D671,786 S \* 12/2012 Lin ..... D7/300.1  
D677,100 S \* 3/2013 Amundson ..... D7/301  
D699,498 S \* 2/2014 Vultaggio ..... D7/301  
D699,512 S \* 2/2014 Stellmach ..... D7/398  
D709,322 S \* 7/2014 Ross ..... D7/399  
D726,475 S \* 4/2015 Wittke ..... D7/300.1  
D744,784 S \* 12/2015 Zachry ..... D7/589

OTHER PUBLICATIONS

Lee, H., "Coffee Galore Original Alternatives to Chain Stores,"  
Korea Times, downloaded from [http://koreatimes.co.kr/www/news/culture/2007/05/135\\_2305.html](http://koreatimes.co.kr/www/news/culture/2007/05/135_2305.html), posted May 3, 2007, site visited Aug. 13, 2015.

\* cited by examiner

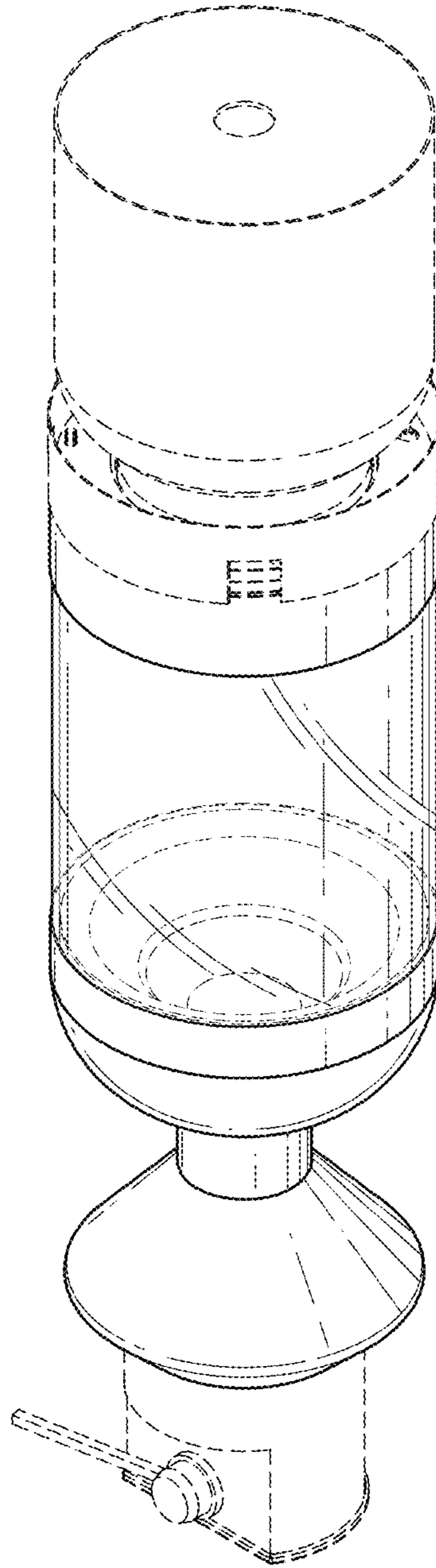


FIG. 1

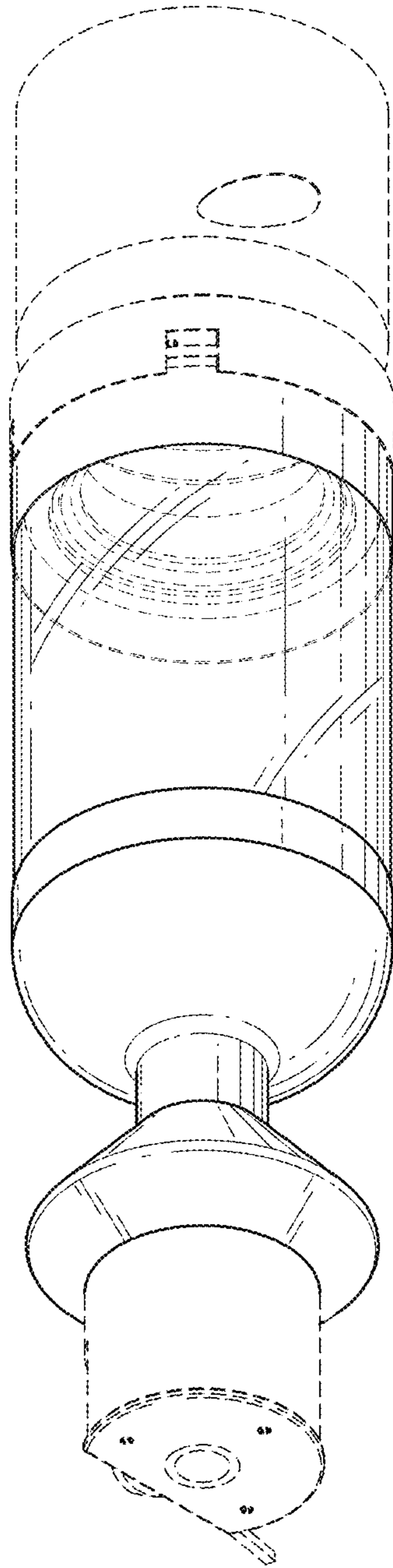


FIG. 2

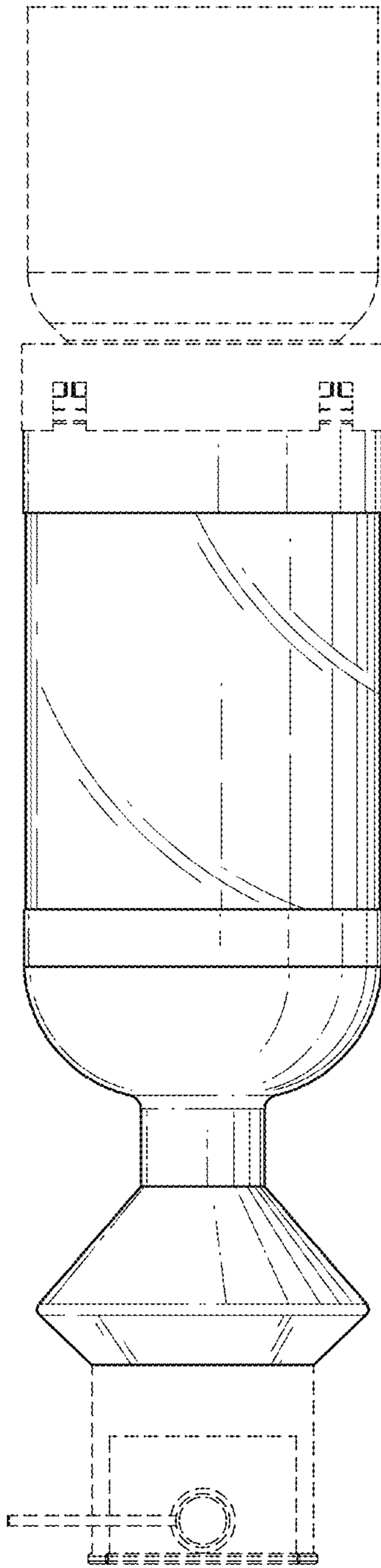


FIG. 3

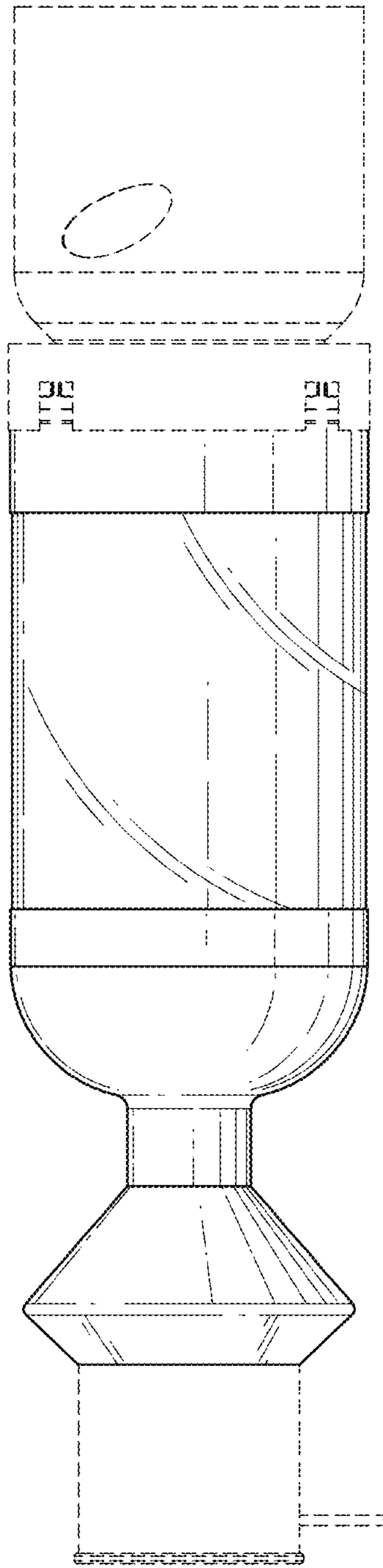


FIG. 4

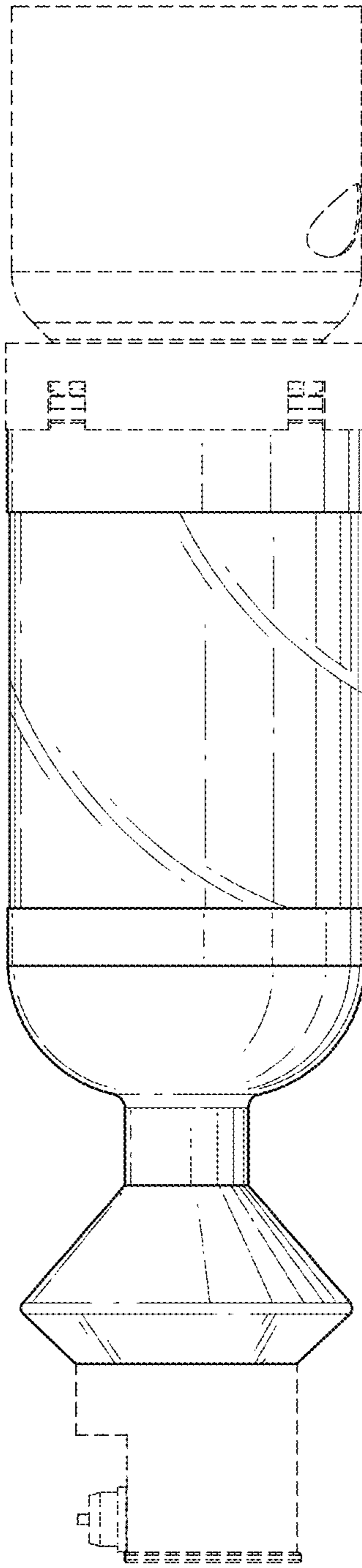


FIG. 5

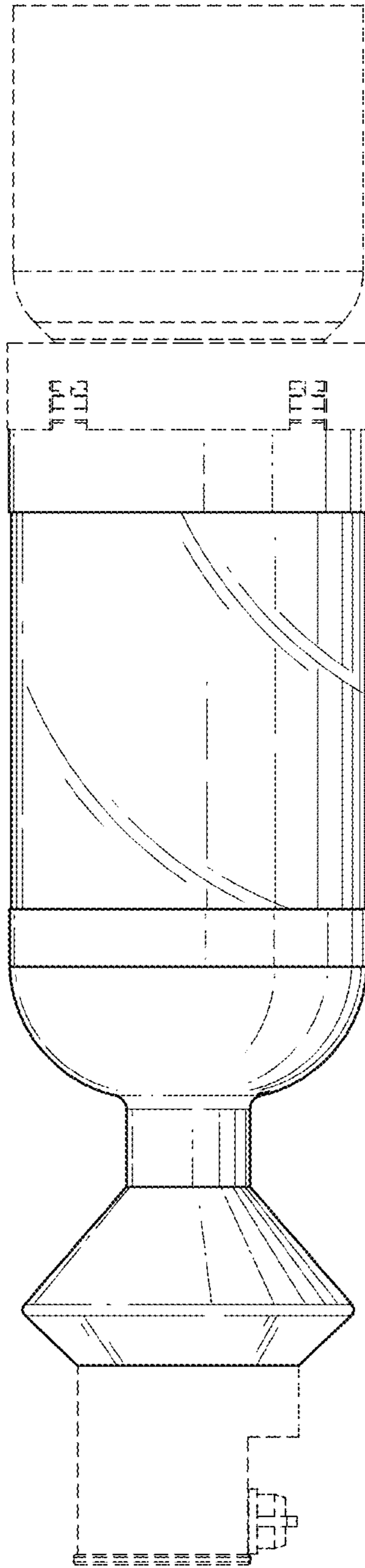
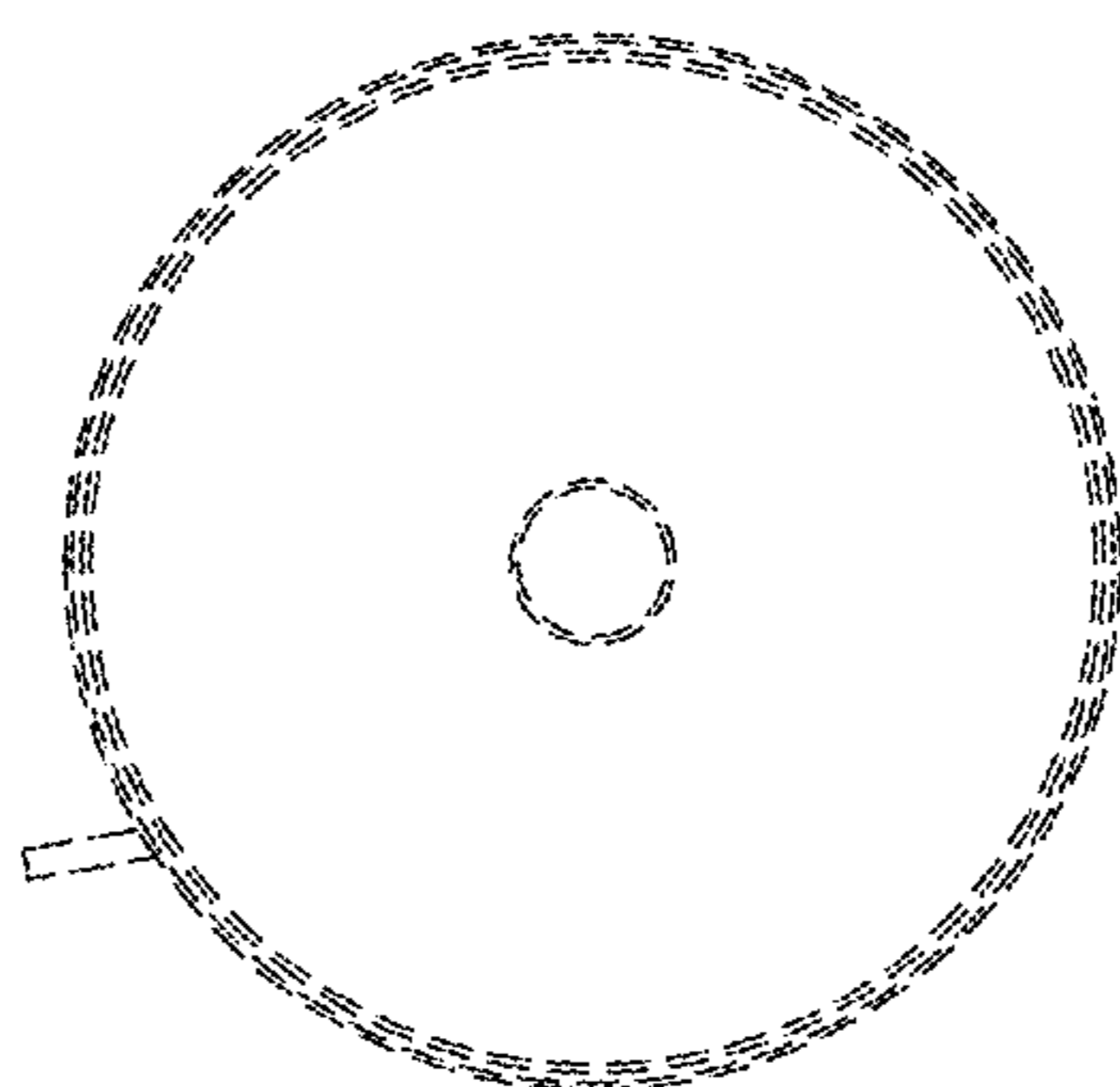
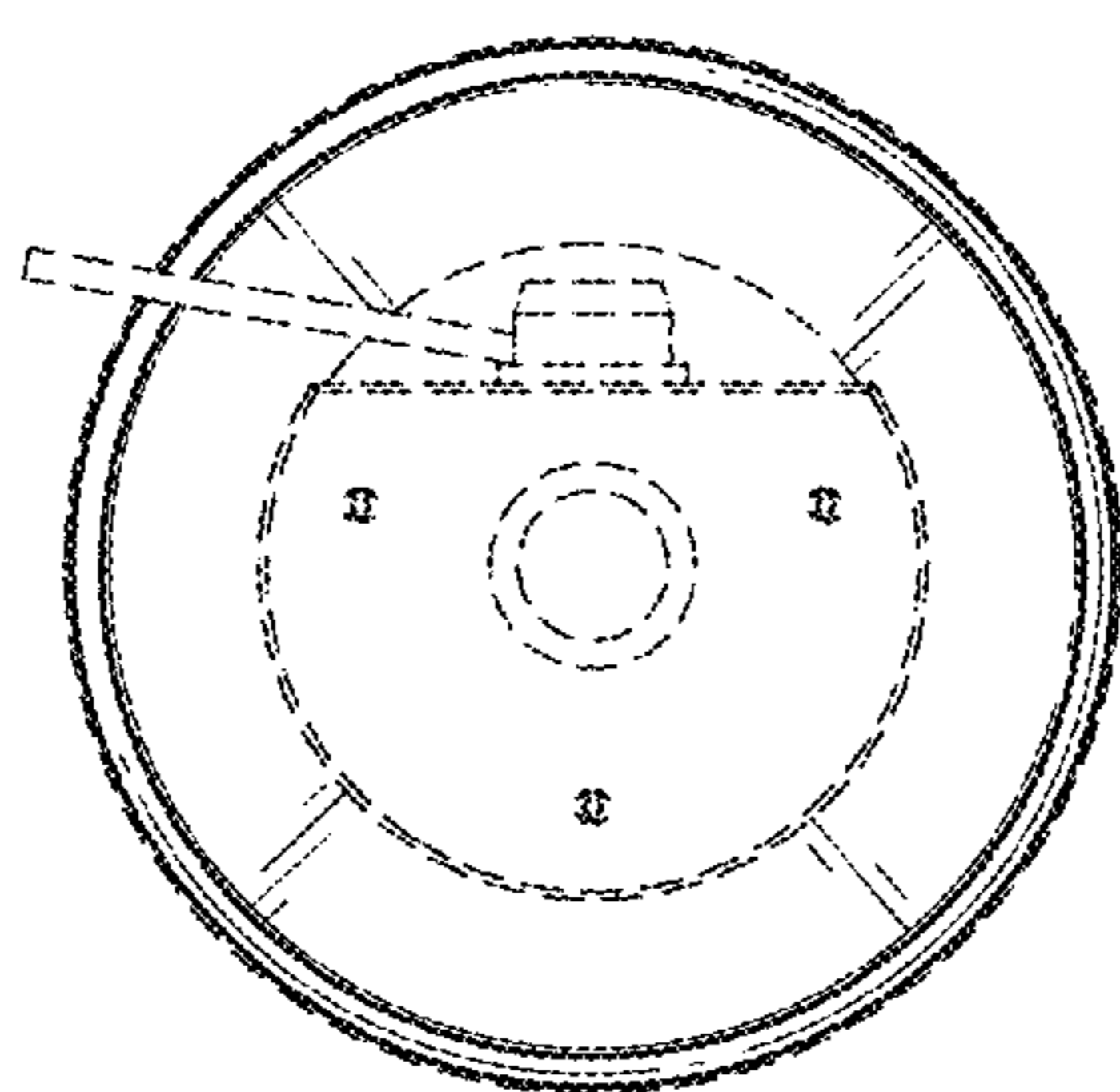


FIG. 6





*FIG. 7*



*FIG. 8*