



US00D779889S

(12) **United States Design Patent** (10) **Patent No.:** **US D779,889 S**
Muller et al. (45) **Date of Patent:** **** Feb. 28, 2017**

(54) **HOPPER**
(71) Applicant: **STARBUCKS CORPORATION**,
Seattle, WA (US)
(72) Inventors: **Elisabeth G. M. Coolen Muller**,
Seattle, WA (US); **Andre Y. Kim**,
Seattle, WA (US)
(73) Assignee: **Starbucks Corporation**, Seattle, WA
(US)

D238,456 S 1/1976 Mouwen et al.
3,933,282 A 1/1976 Stevens, Jr.
D252,655 S 8/1979 Dibling
D264,594 S * 5/1982 Lyons D20/7
D267,856 S * 2/1983 Smith D7/313
D273,330 S * 4/1984 Rouch D23/209
D275,829 S * 10/1984 Starke D7/589
4,790,239 A 12/1988 Hewitt
D330,746 S * 11/1992 Zazulia D23/209
D375,872 S 11/1996 Romero et al.
D395,206 S 6/1998 Romero et al.

(Continued)

(**) Term: **15 Years**

OTHER PUBLICATIONS

(21) Appl. No.: **29/540,110**

Photo of Larry's Beans Coffee display, downloaded from <http://triangleexplorer.com/2010/02/28/picture-of-the-week-larrys-beans/>, posted Feb. 28, 2010, site visited Aug. 13, 2015.

(22) Filed: **Sep. 21, 2015**

(Continued)

(51) **LOC (10) Cl.** **07-06**

(52) **U.S. Cl.**
USPC **D7/589**

Primary Examiner — Ian Simmons

Assistant Examiner — Shannon Morgan

(58) **Field of Classification Search**

USPC D7/300, 300.1, 301, 302, 303, 305, 307,
D7/308, 309, 310, 312, 313, 314, 315,
D7/316, 320, 321, 322, 589, 590, 598,
D7/599, 600, 601, 602, 387, 397, 398,
D7/399, 400, 401.1, 412, 700, 369, 370,
D7/371, 372, 373, 376, 679; D23/209,
D23/210, 365; 99/275, 323.3
CPC A47J 42/00; A47J 42/50; A47J 31/42;
A47J 31/404; A47J 31/44; A47J
31/60; A47J 47/01; A47J 47/02; A47J
47/04; A47J 47/08; A47J 47/00; B67C
11/00; B67C 11/02

(74) *Attorney, Agent, or Firm* — Knobbe Martens Olson
& Bear LLP

See application file for complete search history.

(57) **CLAIM**

We claim the ornamental design for a hopper, as shown and described.

(56) **References Cited**

DESCRIPTION

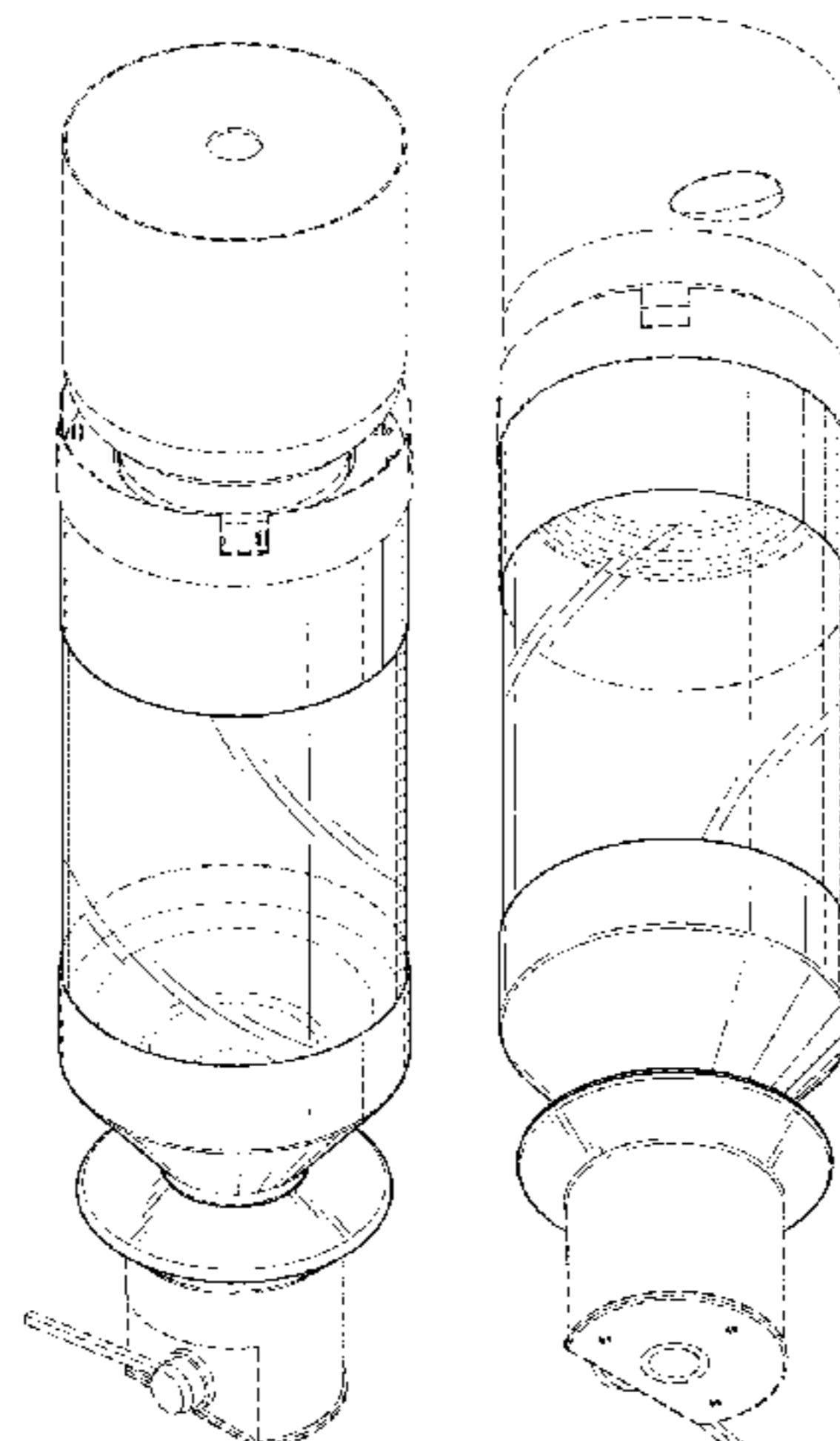
U.S. PATENT DOCUMENTS

D28,609 S * 5/1898 Merriam D7/412
1,168,988 A 1/1916 Zimmermann
2,746,646 A 5/1956 Hall
D187,413 S 3/1960 Marsh et al.
D187,414 S 3/1960 Marsh et al.
D190,205 S * 4/1961 Christoffersen D7/397
3,593,649 A 7/1971 Novi et al.

FIG. 1 is a top, front, and left side perspective view of a hopper showing our new design;
FIG. 2 is a rear, bottom, and left side perspective view thereof;
FIG. 3 is a front view thereof;
FIG. 4 is a rear view thereof;
FIG. 5 is a left side view thereof;
FIG. 6 is a right side view thereof;
FIG. 7 is a top view thereof; and,
FIG. 8 is a bottom view thereof.

The broken lines shown in FIGS. 1-8 represent portions of the hopper that form no part of the claimed design.

1 Claim, 7 Drawing Sheets



(56)

References Cited

U.S. PATENT DOCUMENTS

D396,995	S	*	8/1998	Miltenberger	D7/397
D397,913	S	*	9/1998	Miliani	D7/589
D507,936	S	*	8/2005	Gold	D7/589
D530,968	S	*	10/2006	Bodum	D7/300.1
D536,916	S		2/2007	Payne		
D557,977	S	*	12/2007	Neace	D7/397
D606,805	S	*	12/2009	Neace	D7/399
D640,084	S	*	6/2011	Sheppard	D7/316
D645,288	S	*	9/2011	Kusch	D7/300
D671,786	S	*	12/2012	Lin	D7/300.1
D677,100	S	*	3/2013	Amundson	D7/301
D699,498	S	*	2/2014	Vultaggio	D7/301
D699,512	S	*	2/2014	Stellmach	D7/398
D709,322	S	*	7/2014	Ross	D7/399
D726,475	S	*	4/2015	Wittke	D7/300.1
D744,784	S	*	12/2015	Zachry	D7/589

OTHER PUBLICATIONS

Lee, H., "Coffee Galore Original Alternatives to Chain Stores," Korea Times, downloaded from http://koreatimes.co.kr/www/news/culture/2007/05/135_2305.html, posted May 3, 2007, site visited Aug. 13, 2015.

* cited by examiner

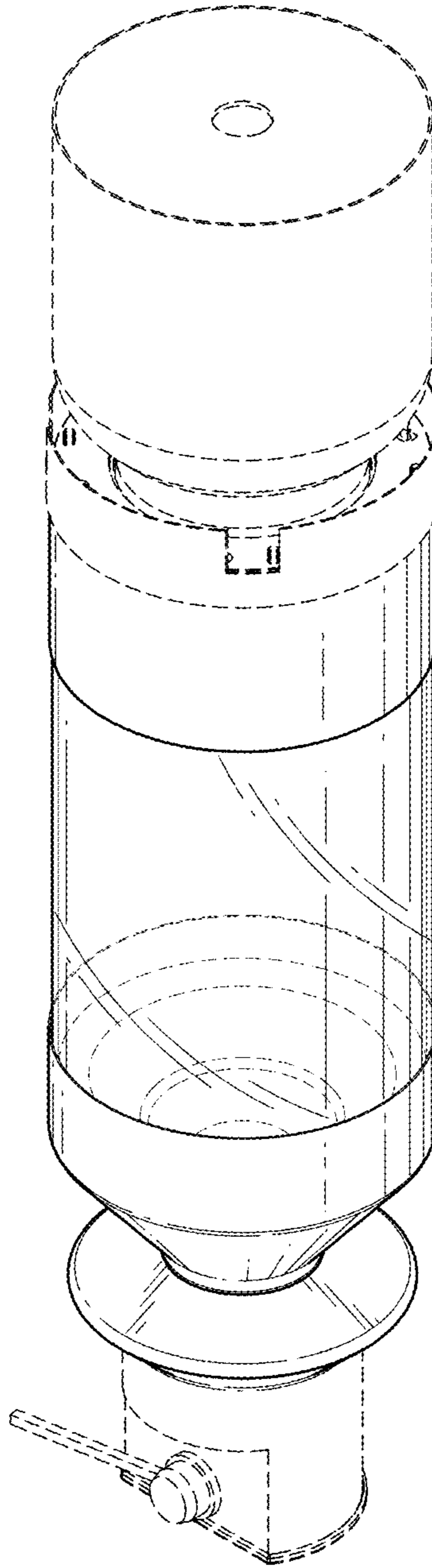


FIG. 1

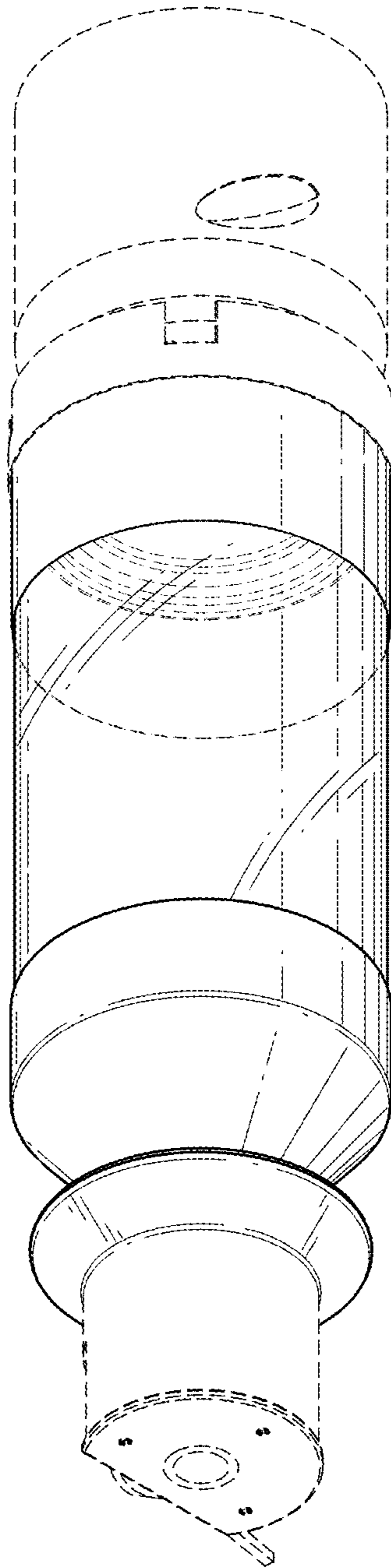


FIG. 2

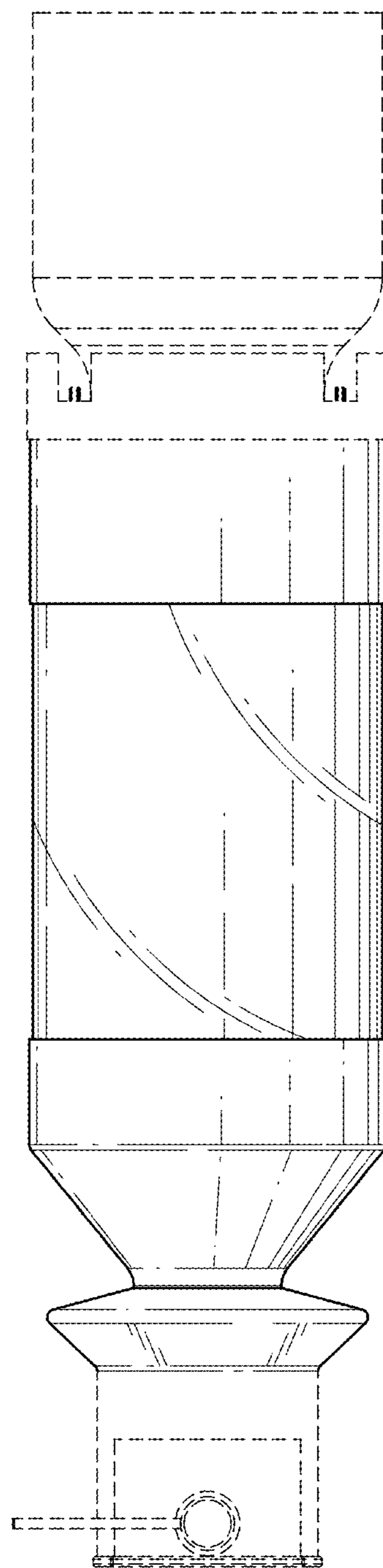


FIG. 3

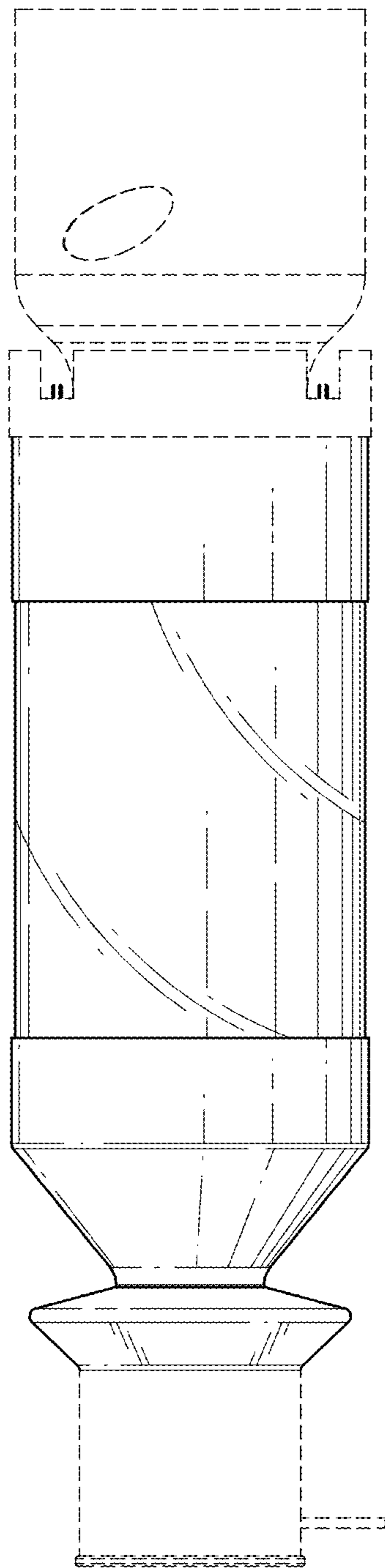


FIG. 4

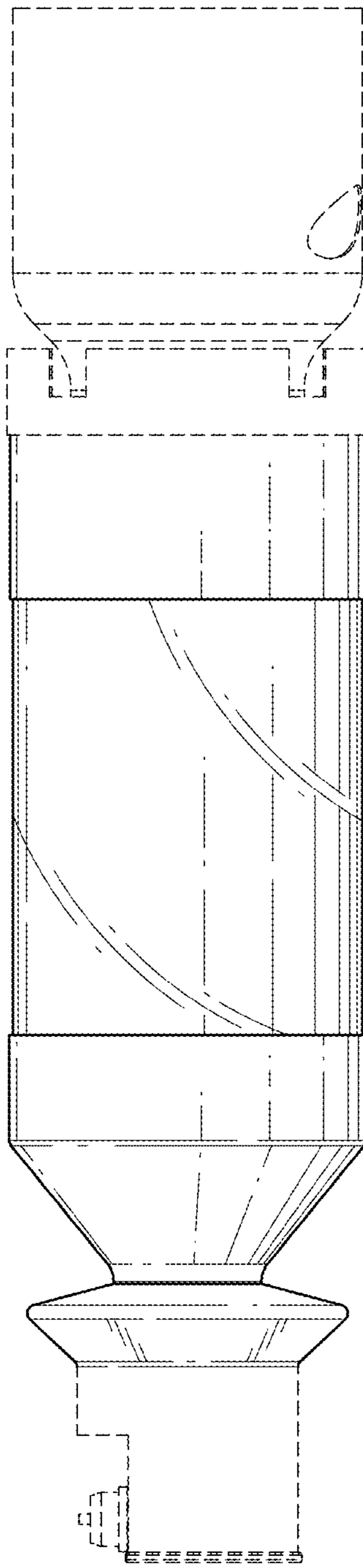


FIG. 5

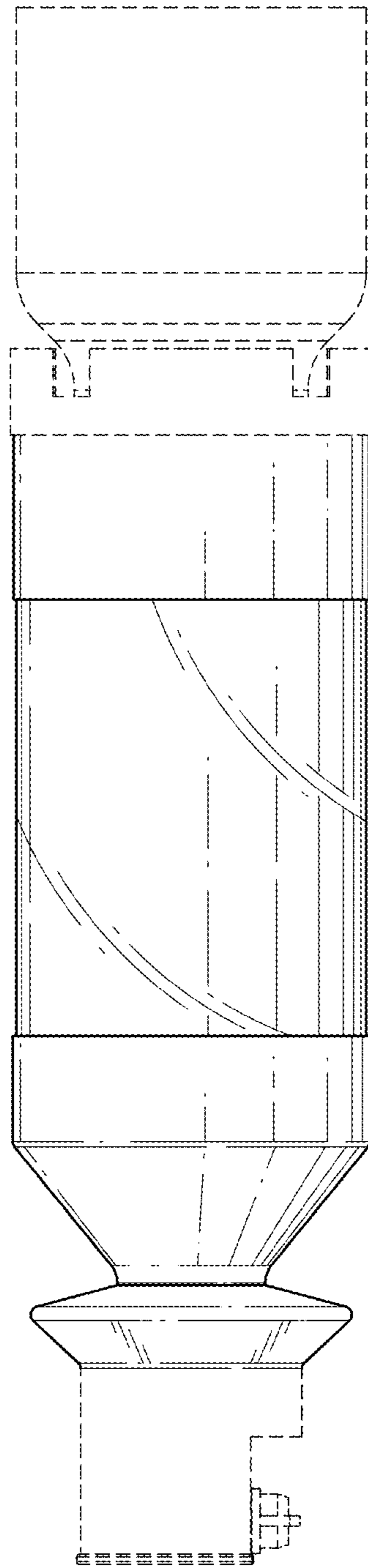


FIG. 6

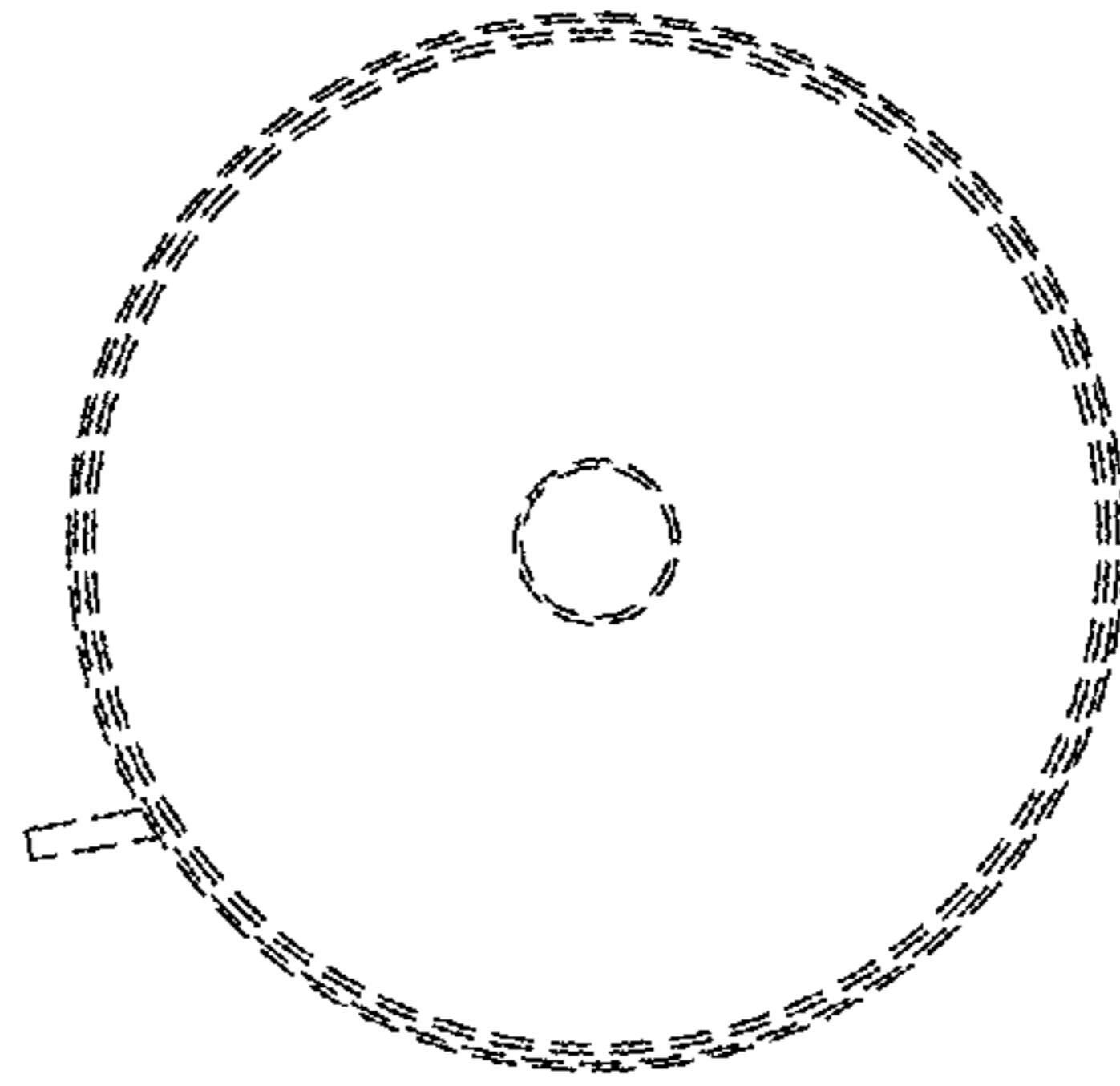


FIG. 7

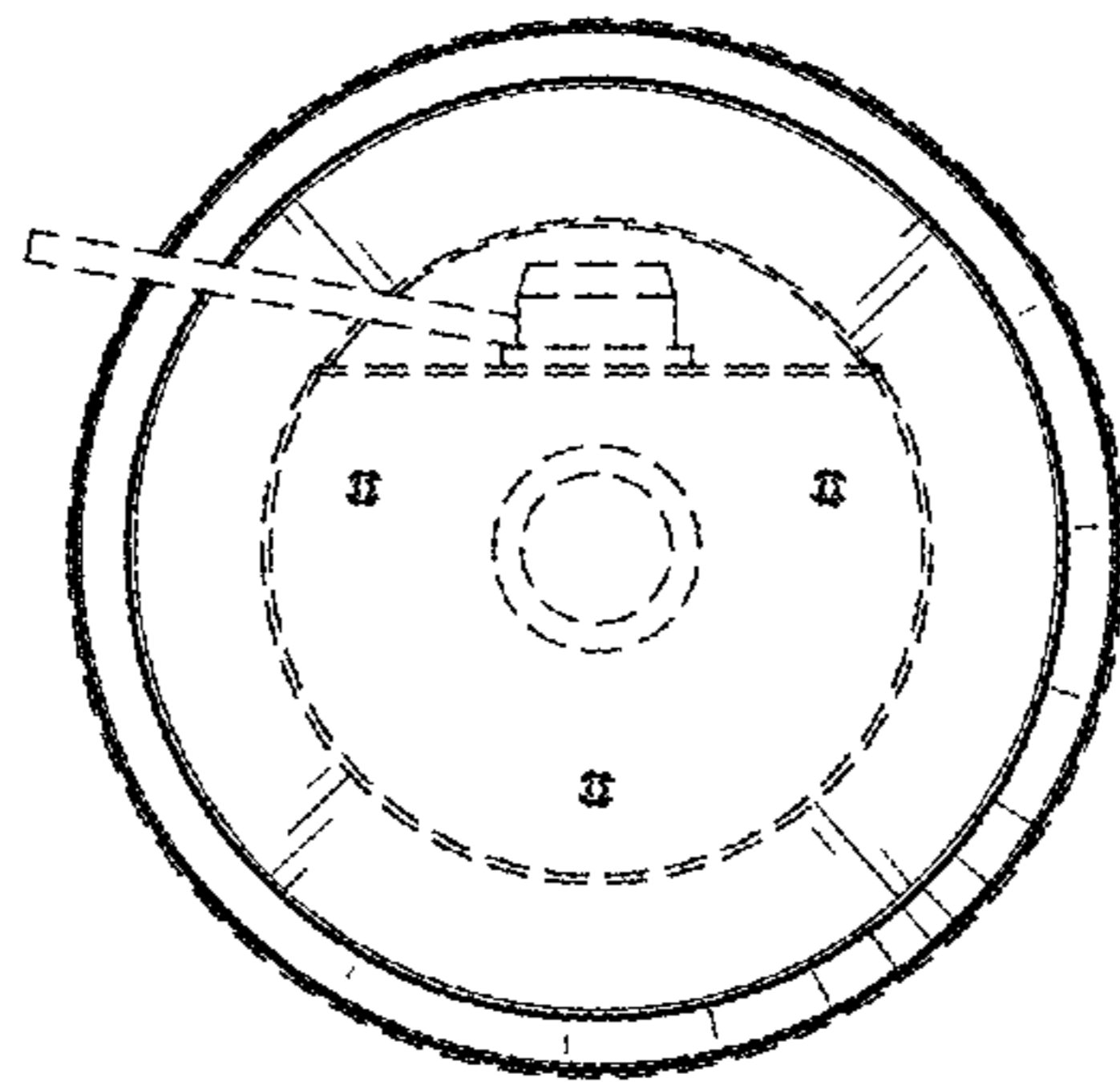


FIG. 8