



US00D779887S

(12) **United States Design Patent**
Alleyne

(10) **Patent No.:** **US D779,887 S**

(45) **Date of Patent:** **** Feb. 28, 2017**

(54) **CUP CARRIER TRAY**

(71) Applicant: **Camille Alleyne**, Lawrenceville, GA
(US)

(72) Inventor: **Camille Alleyne**, Lawrenceville, GA
(US)

(**) Term: **15 Years**

(21) Appl. No.: **29/561,013**

(22) Filed: **Apr. 12, 2016**

Related U.S. Application Data

(63) Continuation-in-part of application No. 29/530,695,
filed on Jun. 18, 2015, now Pat. No. Des. 769,676.

(51) **LOC (10) Cl.** **07-01**

(52) **U.S. Cl.**
USPC **D7/553.8**

(58) **Field of Classification Search**
USPC D7/550.1, 552.2, 553.2, 553.5, 553.8,
D7/554.3, 601-602, 397, 401.1; D9/415,
D9/418, 759-761
CPC B65D 1/243; B65D 2501/24019;
B65D 2501/24165; B65D 11/18; B65D
85/30

See application file for complete search history.

(56) **References Cited**

U.S. PATENT DOCUMENTS

2,920,804 A * 1/1960 Minton A47G 19/06
215/395
D286,250 S * 10/1986 Prescott D7/557

D297,799 S * 9/1988 Hammer D7/507
D303,194 S * 9/1989 Darby D7/507
5,249,700 A * 10/1993 Dumke A47G 19/065
220/23.86
D344,436 S 2/1994 Walls et al.
5,292,028 A * 3/1994 Patterson A47G 19/065
206/217
D353,977 S 1/1995 Muschett
D363,644 S * 10/1995 Wyatt D7/553.6
D389,020 S * 1/1998 LaJoie D7/555
D393,775 S * 4/1998 Otero D7/553.6
D399,704 S 10/1998 Cousins
D413,488 S 9/1999 Foley
D534,816 S * 1/2007 Newton D9/755
D557,072 S * 12/2007 Lim D7/505
D591,560 S 5/2009 Lackey et al.
D625,960 S 10/2010 Lipfert et al.
D651,048 S 12/2011 Gold

* cited by examiner

Primary Examiner — Kelley Donnelly

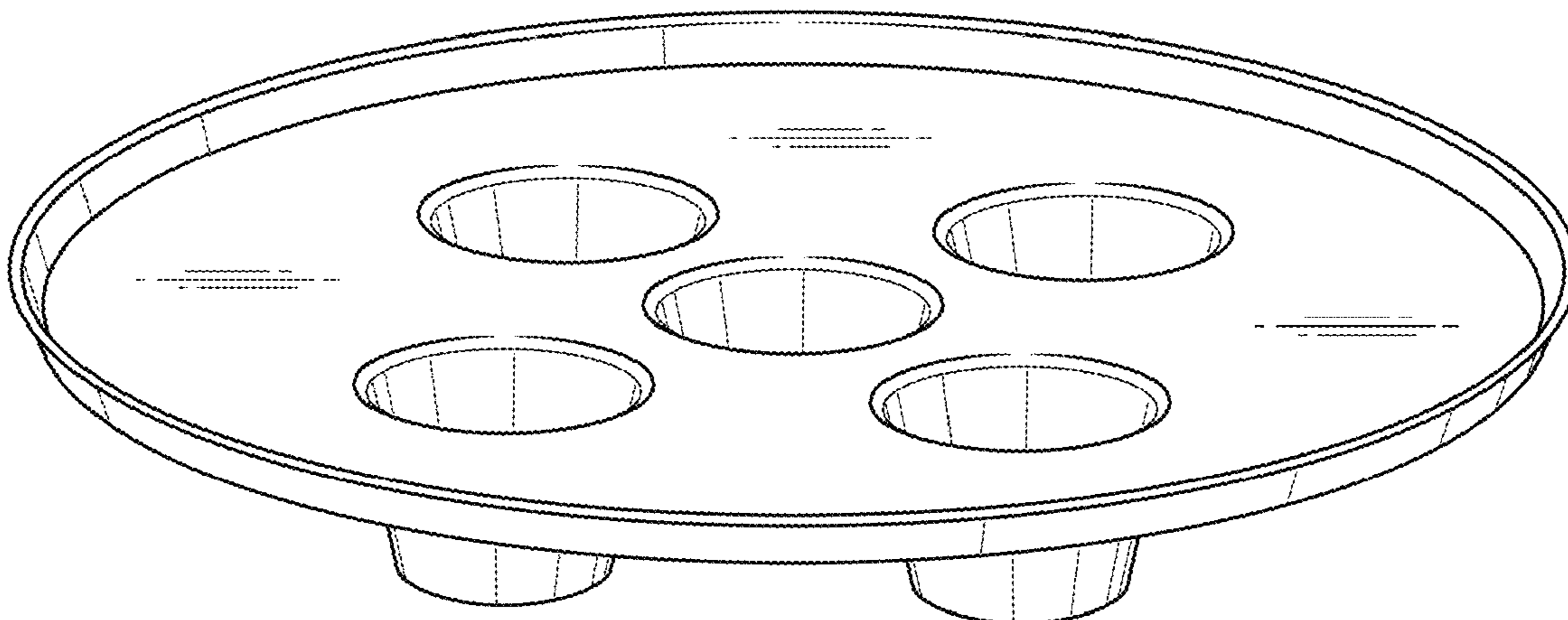
(57) **CLAIM**

The ornamental design for a cup carrier tray, as shown and described.

DESCRIPTION

FIG. 1 is a top perspective view of a cup carrier tray;
FIG. 2 is a top plan view thereof;
FIG. 3 is a side view of a cup carrier tray;
FIG. 4 is a bottom plan view of a cup carrier tray; and,
FIG. 5 is a side cut away view of the cup carrier tray of FIG.
2, as illustrated by the arrows on FIG. 2.

1 Claim, 4 Drawing Sheets



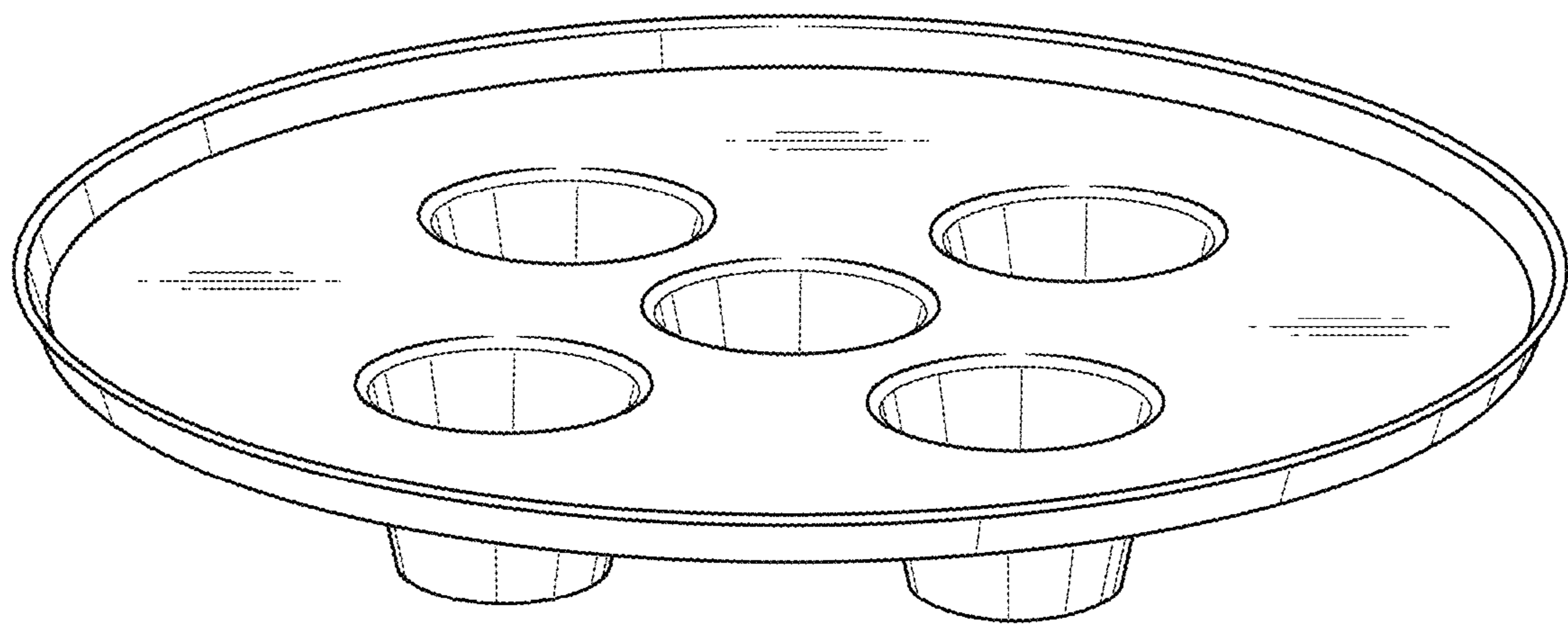


FIG. 1

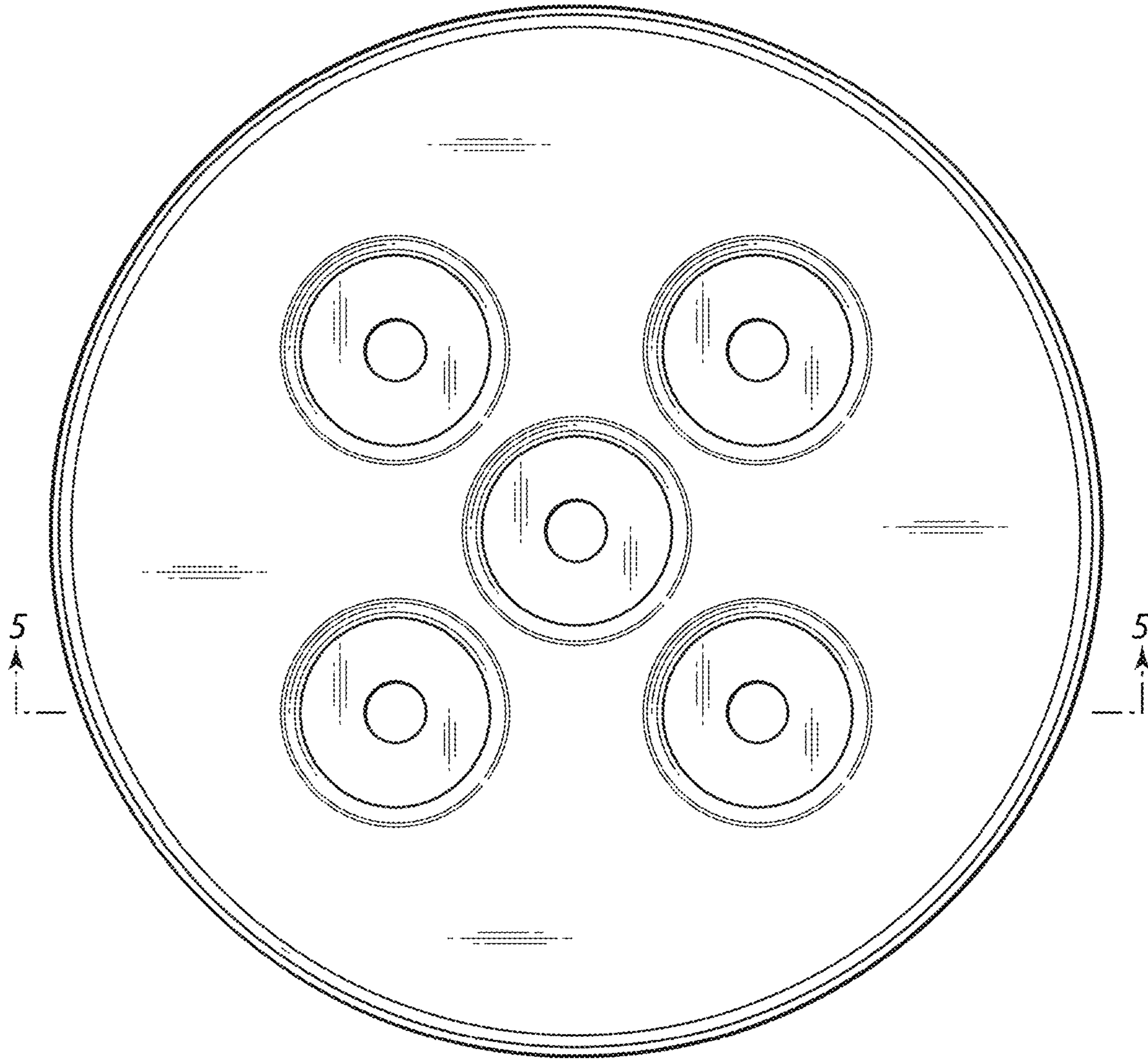


FIG. 2

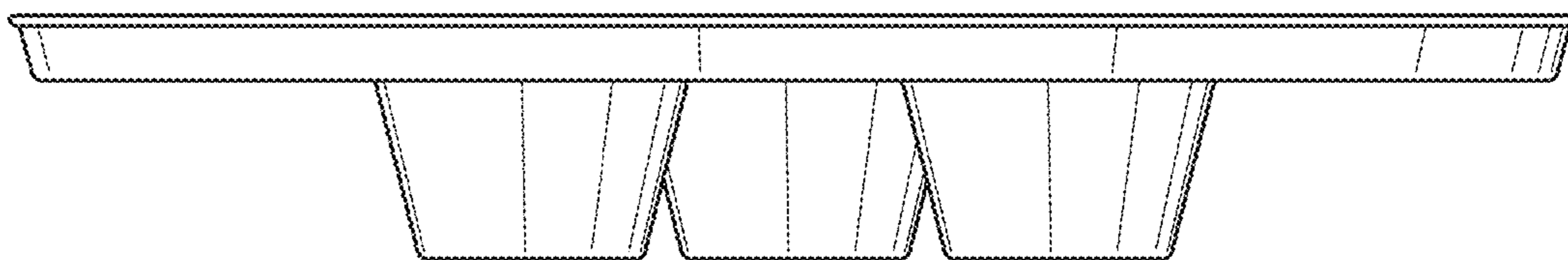


FIG. 3

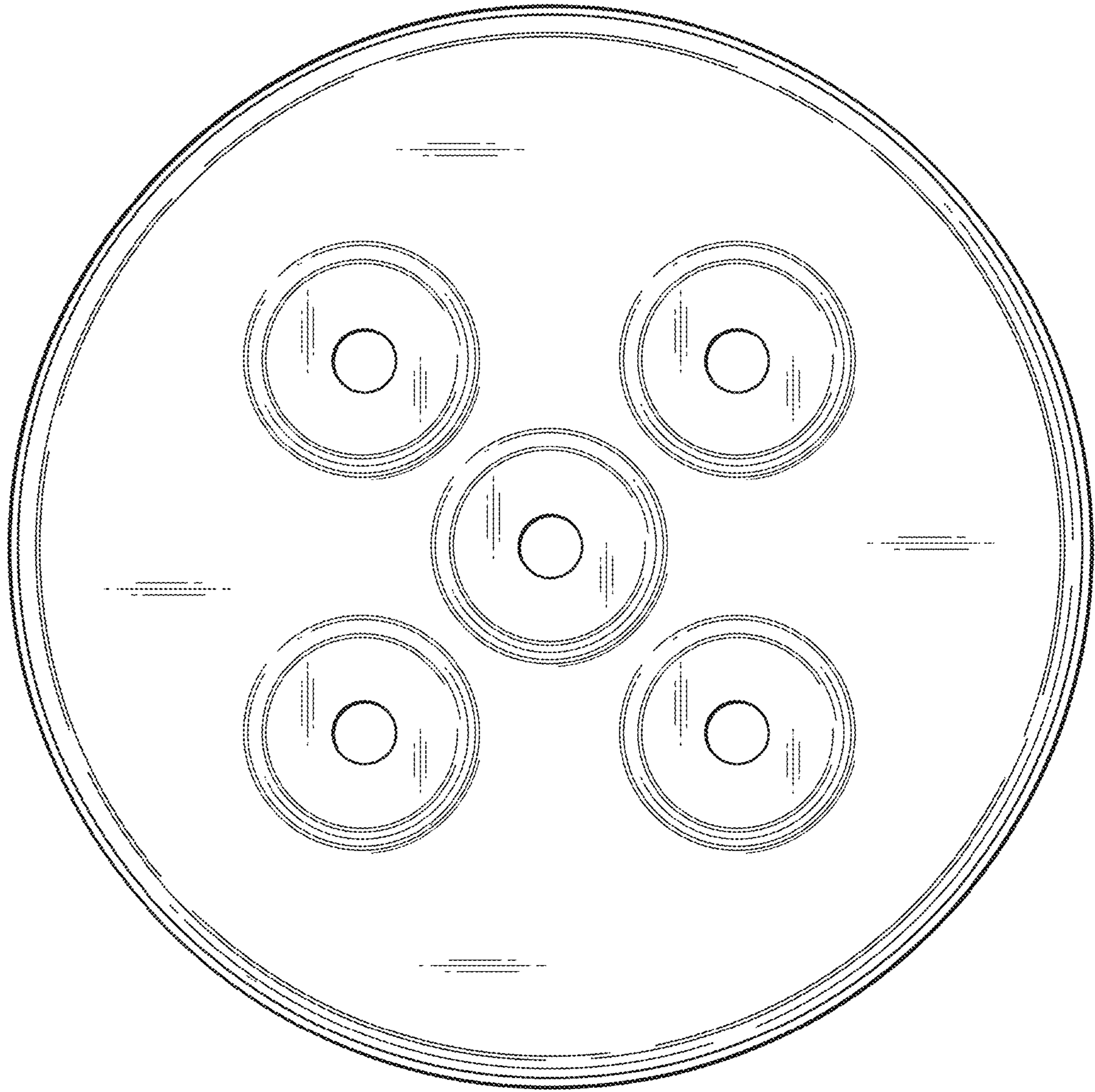


FIG. 4

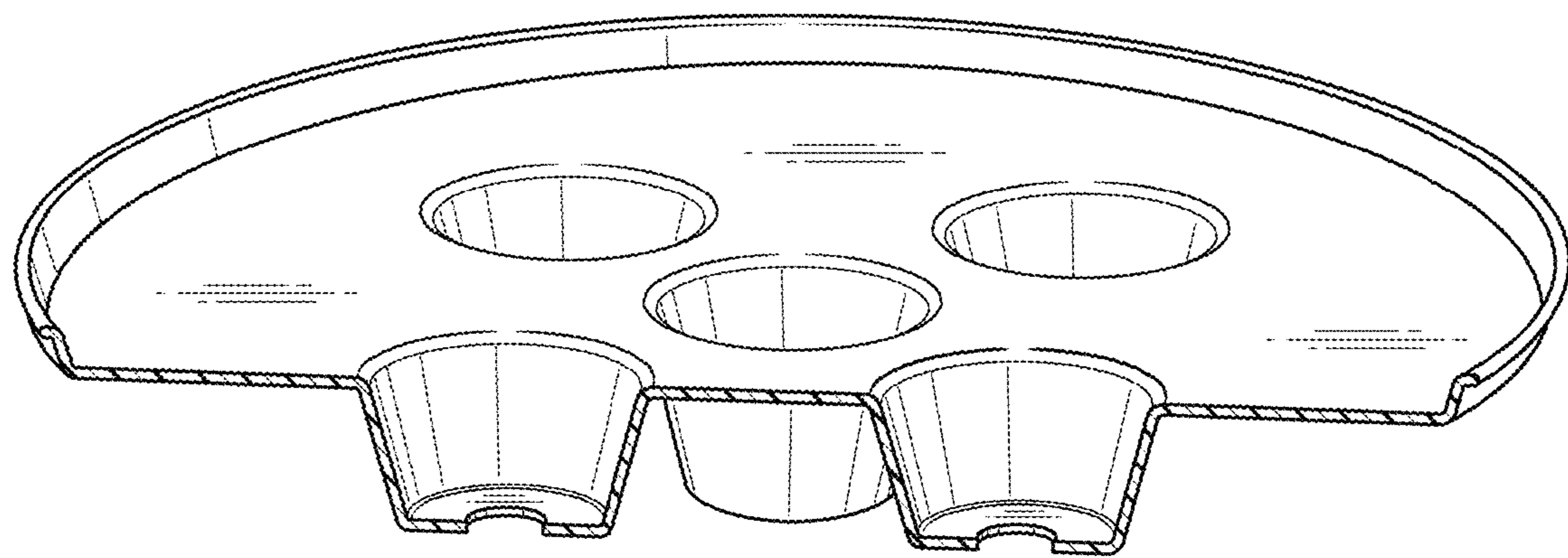


FIG. 5