



US00D779886S

(12) **United States Design Patent**
Singlaub

(10) **Patent No.:** **US D779,886 S**

(45) **Date of Patent:** **** Feb. 28, 2017**

(54) **BEVERAGE CONTAINER**

(71) Applicant: **Hannovation, LLC**, Bend, OR (US)

(72) Inventor: **Niki Singlaub**, Bend, OR (US)

(73) Assignee: **Hydaway, LLC**, Bend, OR (US)

(**) Term: **15 Years**

(21) Appl. No.: **29/547,794**

(22) Filed: **Dec. 8, 2015**

(51) **LOC (10) Cl.** **07-01**

(52) **U.S. Cl.**

USPC **D7/532**; D7/523; D7/512

(58) **Field of Classification Search**

USPC D7/500, 501, 505, 507, 509, 510, 511,
D7/512, 523, 532, 534, 608, 607, 550.1,
D7/553.1, 553.2, 554.3, 555, 669, 667;
D9/414, 430, 431, 740, 759, 756, 440,
D9/551, 556, 559, 562, 569, 504, 503,
D9/447; D3/203.3, 203.2, 205, 283, 202,
D3/288, 903, 901; D28/77, 83, 4;
D19/77, 92, 81, 90, 95, 65, 102, 103,
D19/105, 106, 107, 109; D6/301;
215/388; 220/703, 669, 667, 62.12,
220/592.16, 592.17, 666; D24/197
CPC .. A47G 19/30; A47G 19/022; A47G 23/0608;
A47G 23/0633; A47G 23/06; A47G
2019/2277; A45F 2003/205; B65D
21/086; B65D 1/0292; Y10S 215/90
See application file for complete search history.

(56) **References Cited**

U.S. PATENT DOCUMENTS

781,939 A * 2/1905 Fulton B65D 88/02
138/30
2,410,010 A * 10/1946 Brant B01D 23/28
210/314

D154,999 S * 8/1949 Eratico D9/503
3,143,429 A * 8/1964 Swanson A61J 9/005
215/11.3
3,270,905 A * 9/1966 Kroekel B21D 51/24
220/581
3,353,700 A * 11/1967 Kalina B65D 7/04
220/6
3,434,589 A 3/1969 Vattri
3,471,058 A * 10/1969 Latham B65D 21/086
190/107
3,939,888 A 2/1976 Scarnato
D242,416 S * 11/1976 Achenbach D7/532
D243,816 S * 3/1977 Achenbach D7/532
4,873,100 A * 10/1989 Dirksing B29C 49/48
215/311
D330,993 S * 11/1992 Robbins, III D7/510

(Continued)

Primary Examiner — Marianne Pandozzi

Assistant Examiner — Jae Liang

(74) *Attorney, Agent, or Firm* — Antoinette M. Tease

(57) **CLAIM**

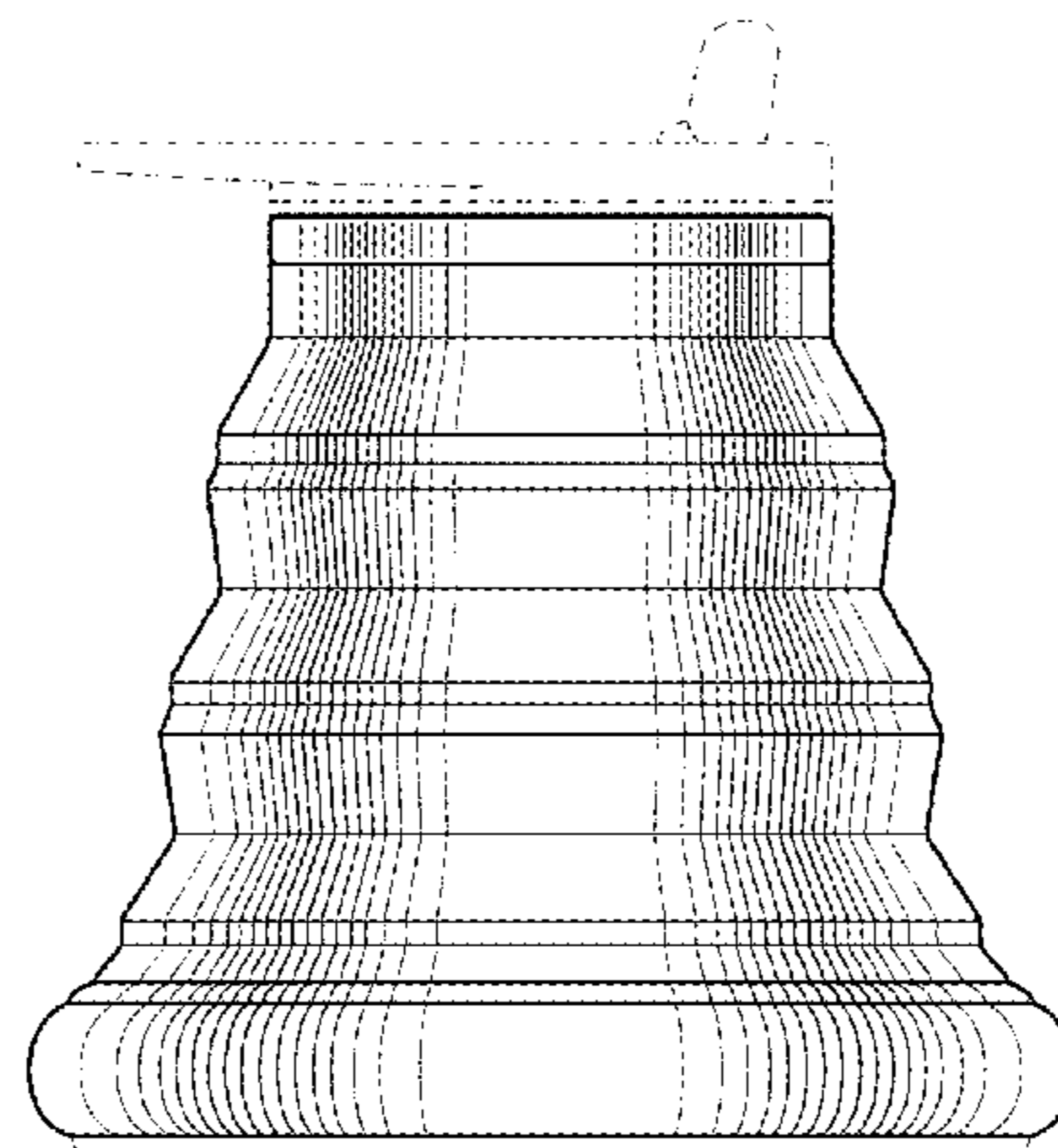
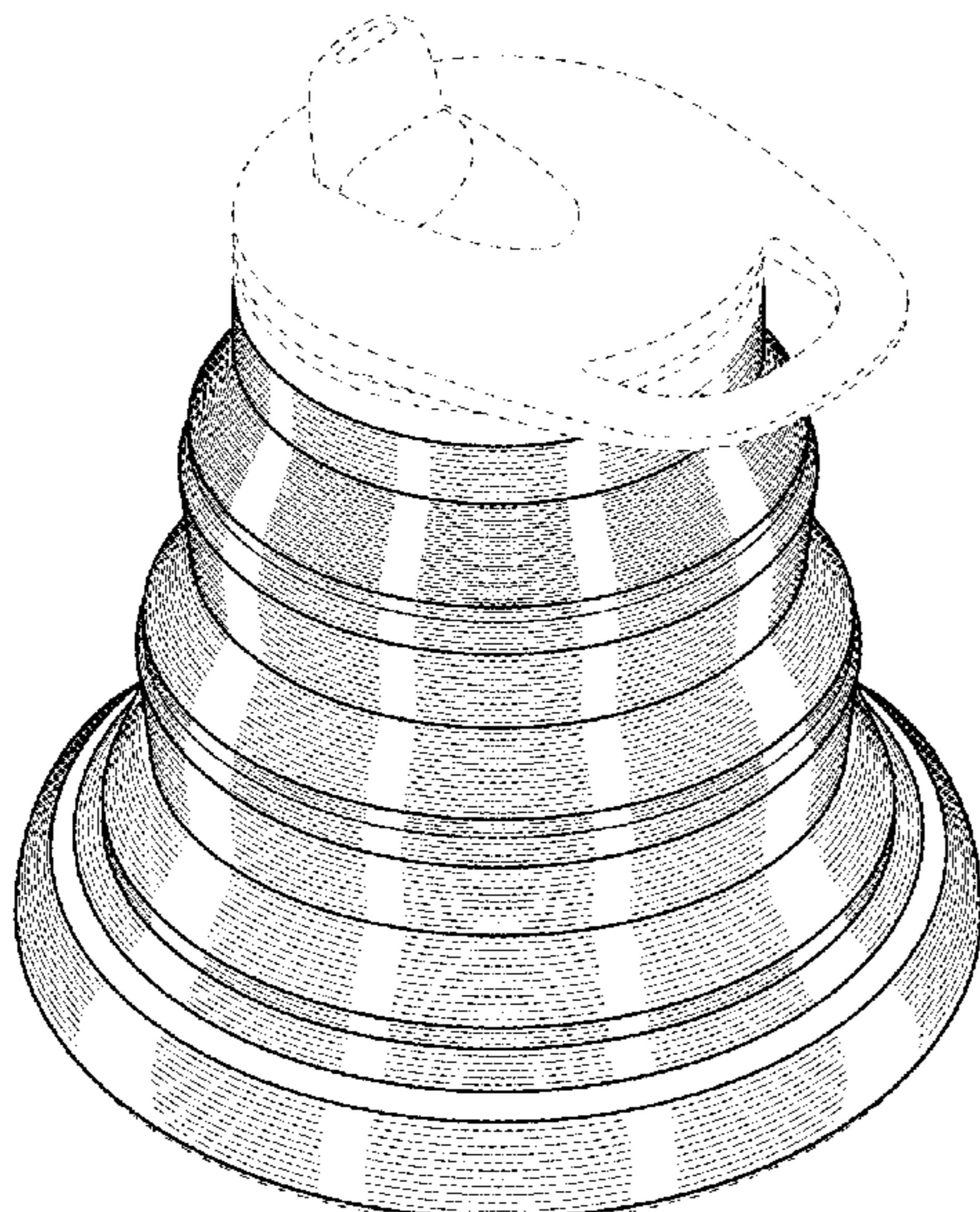
The ornamental design for a beverage container, as shown and described.

DESCRIPTION

FIG. 1 is a top perspective view of a beverage container showing my new design;
FIG. 2 is a bottom perspective view thereof;
FIG. 3 is a top view thereof;
FIG. 4 is a bottom view thereof;
FIG. 5 is a first side view thereof;
FIG. 6 is a second side view thereof;
FIG. 7 is a front view thereof; and,
FIG. 8 is a rear view thereof.

The broken lines in the drawing depict portions of the beverage container that form no part of the claimed design.

1 Claim, 3 Drawing Sheets



(56)

References Cited

U.S. PATENT DOCUMENTS

5,310,072 A * 5/1994 Matusovsky A47G 23/0216
220/23.83
5,439,128 A 8/1995 Fishman
5,447,110 A * 9/1995 Brown B65D 1/0292
141/114
5,573,129 A * 11/1996 Nagata B65D 1/0292
215/382
5,584,413 A * 12/1996 Jung B65D 1/0292
215/382
D388,509 S * 12/1997 Hsiao D23/328
D394,212 S 5/1998 Mazda
D397,930 S 9/1998 Mazda
D397,931 S 9/1998 Mazda
D397,932 S 9/1998 Mazda
D397,933 S 9/1998 Mazda
D432,359 S * 10/2000 Madden-Askew D7/532
D483,225 S * 12/2003 Gain D7/512
6,666,329 B1 * 12/2003 Charbonneau A61J 7/0046
206/218
6,811,051 B2 * 11/2004 Higuchi B65D 1/165
220/666
D503,073 S * 3/2005 Lapsker D7/523
D522,809 S * 6/2006 Kusuma B65D 21/086
D7/545

D544,303 S * 6/2007 Strepkoff D7/512
D545,137 S * 6/2007 Furlong D7/629
D608,161 S 1/2010 Olivari
7,654,402 B2 * 2/2010 Kusuma B65D 21/086
220/666
D614,446 S * 4/2010 King D7/507
7,819,263 B1 10/2010 DiCarlo-Nelson
D633,266 S * 2/2011 Tuan D32/53
D642,433 S * 8/2011 Tuan D7/400
8,118,182 B1 * 2/2012 Licari A45F 3/20
215/11.1
D664,003 S * 7/2012 Nagoya D7/400
D675,482 S * 2/2013 Heggestad D7/400
D680,377 S * 4/2013 Romley D7/523
8,485,388 B2 * 7/2013 Tuan A47G 19/12
206/218
8,556,099 B2 * 10/2013 Perlman A45F 3/20
206/217
8,887,942 B2 * 11/2014 Miksovsky A45F 3/20
206/218
D729,005 S * 5/2015 Lee D7/399
9,044,082 B2 * 6/2015 Kusuma A45F 3/20
D756,705 S * 5/2016 Abrams D7/510
2010/0140294 A1 6/2010 Bourguignon et al.
2012/0152885 A1 6/2012 Munoz
2012/0227860 A1 9/2012 Jeremiah
2013/0277364 A1 10/2013 Kusuma et al.

* cited by examiner

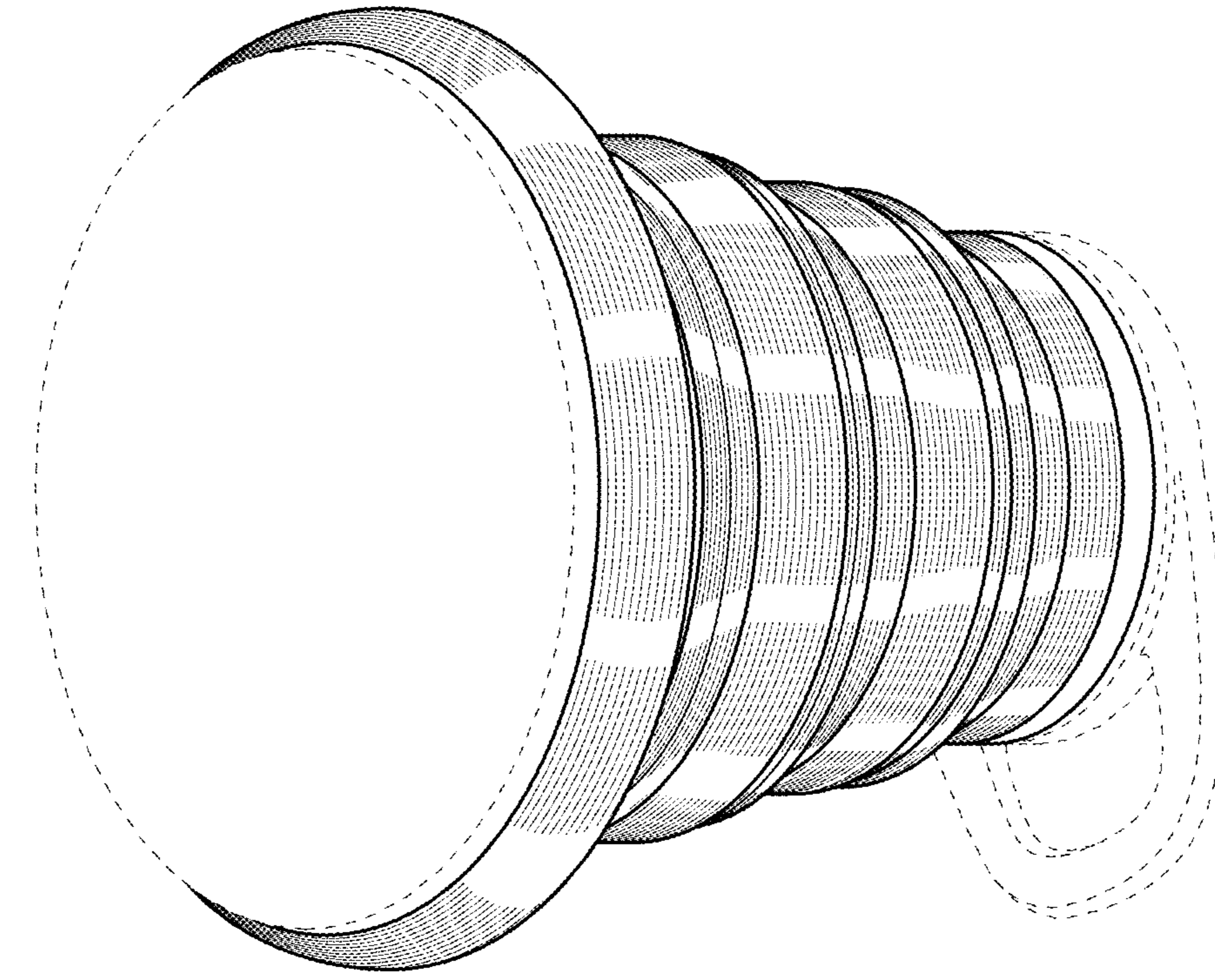


Fig.1

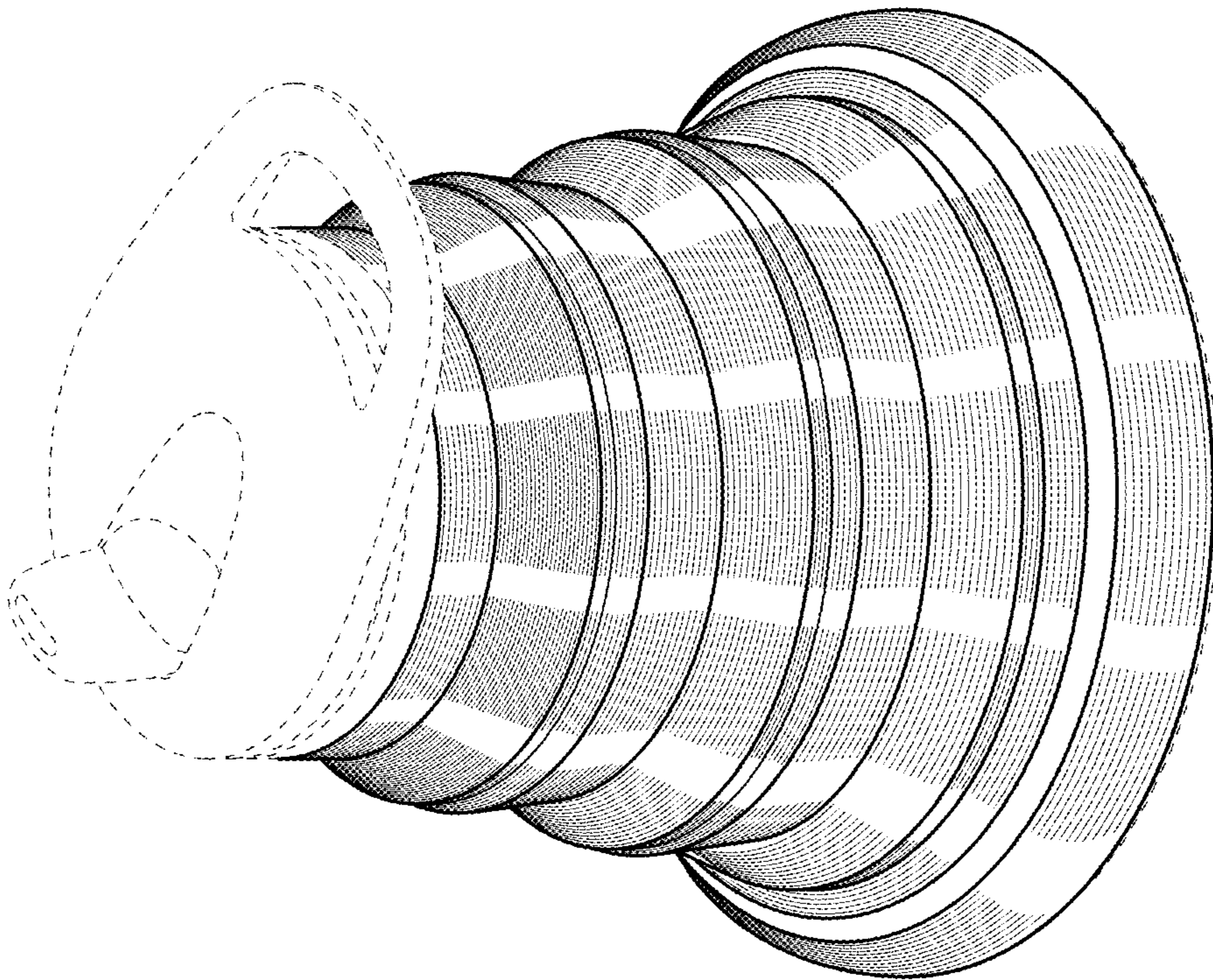


Fig.2

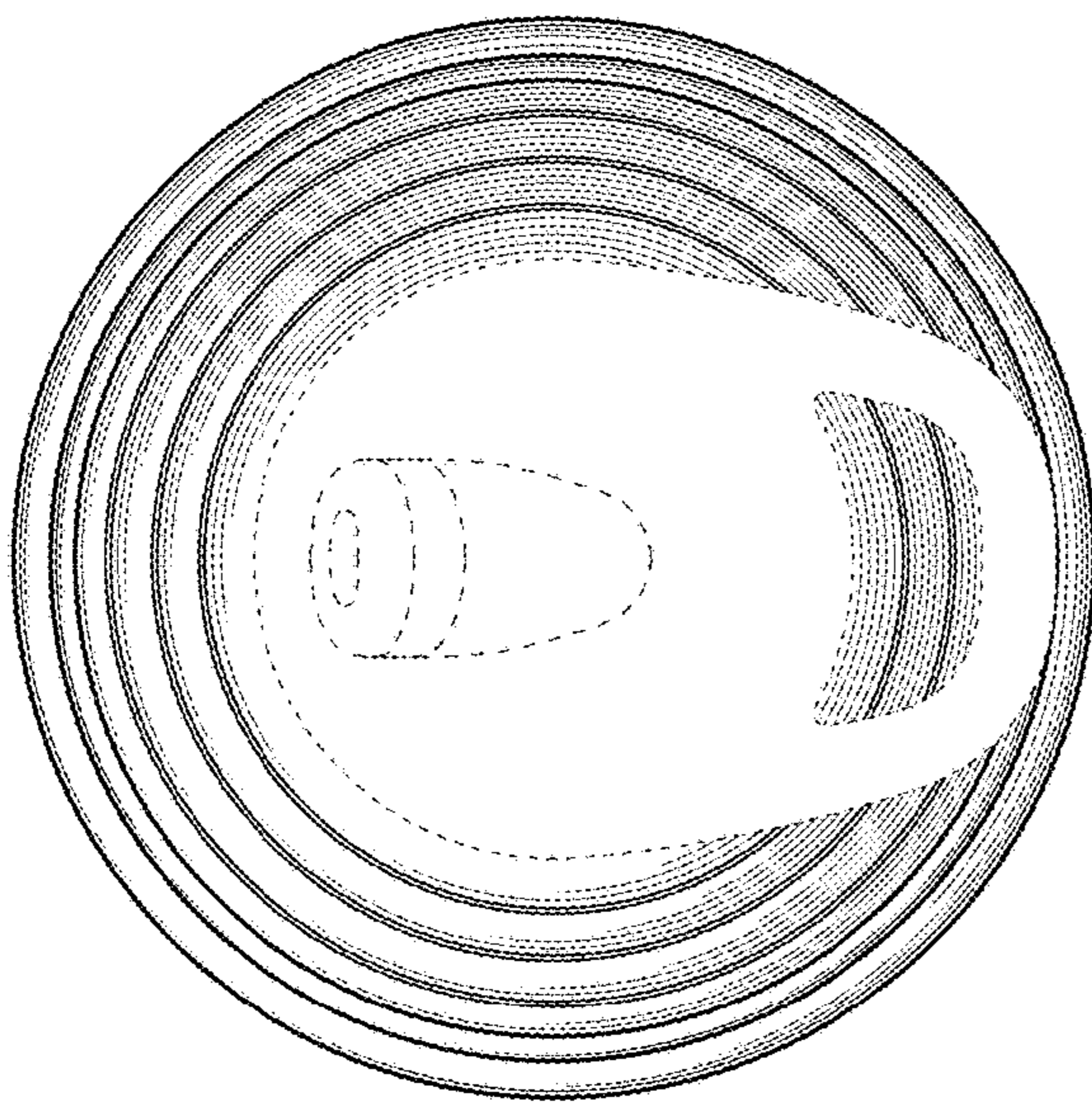


Fig. 3

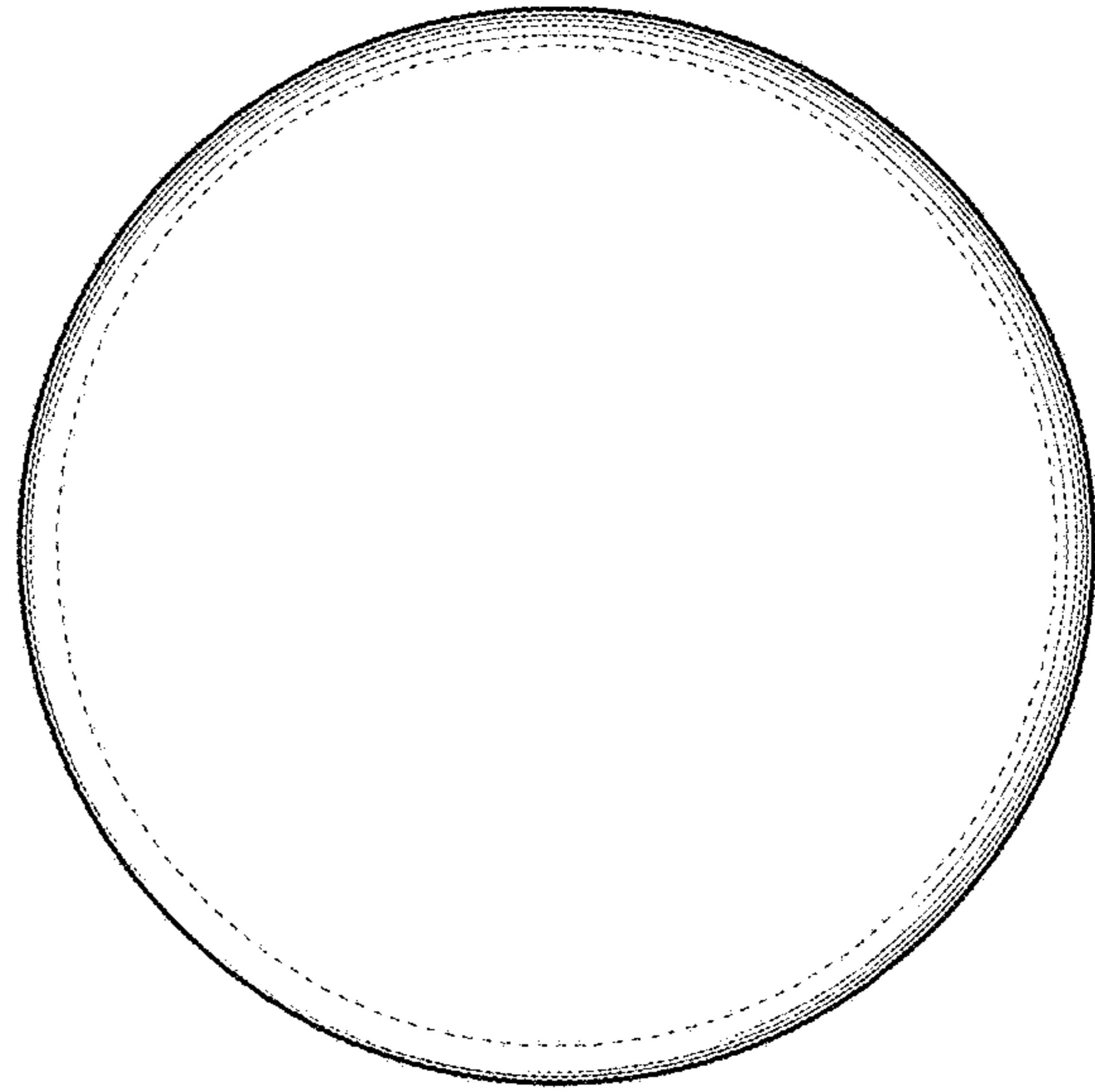


Fig. 4

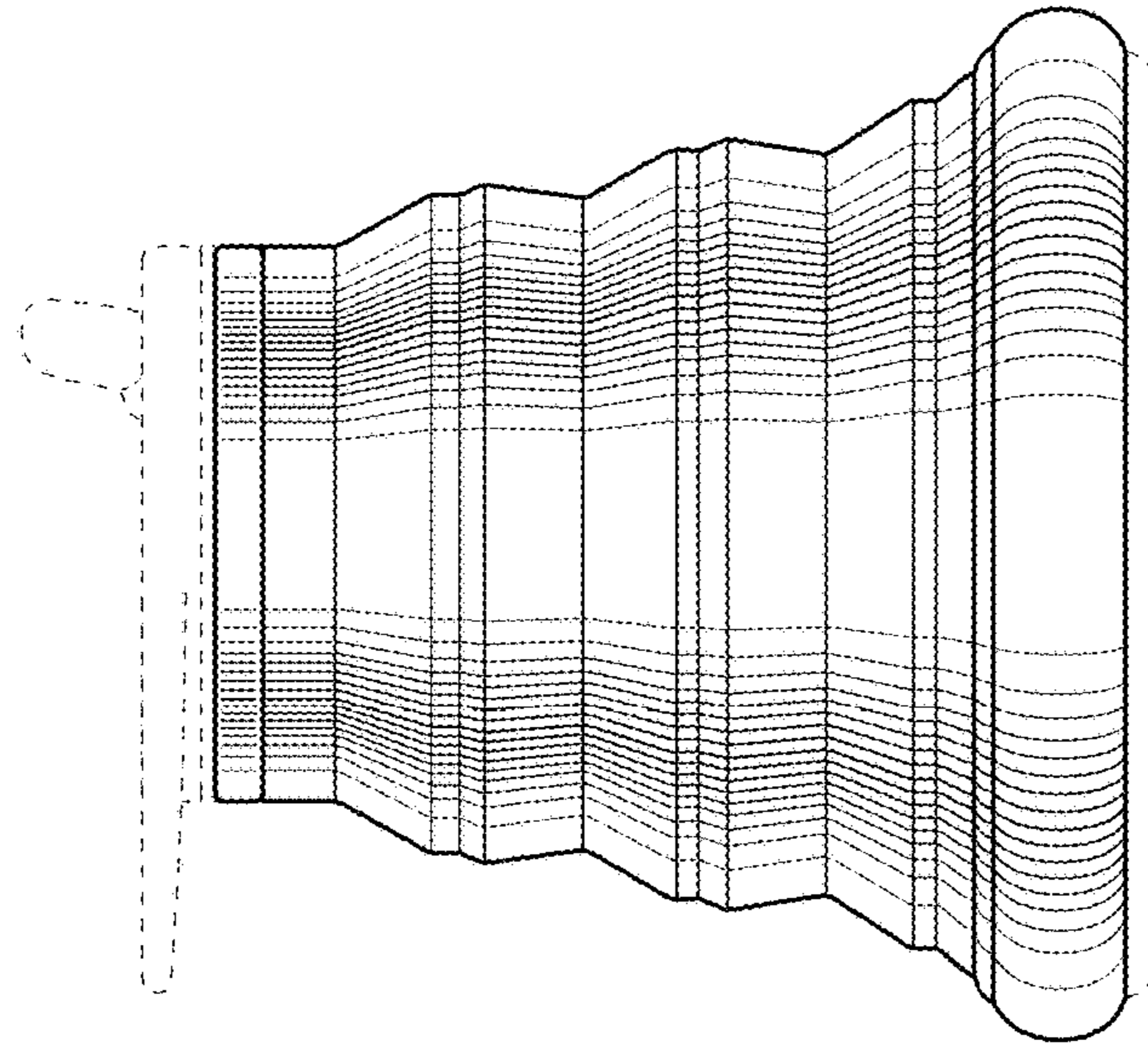


Fig. 5

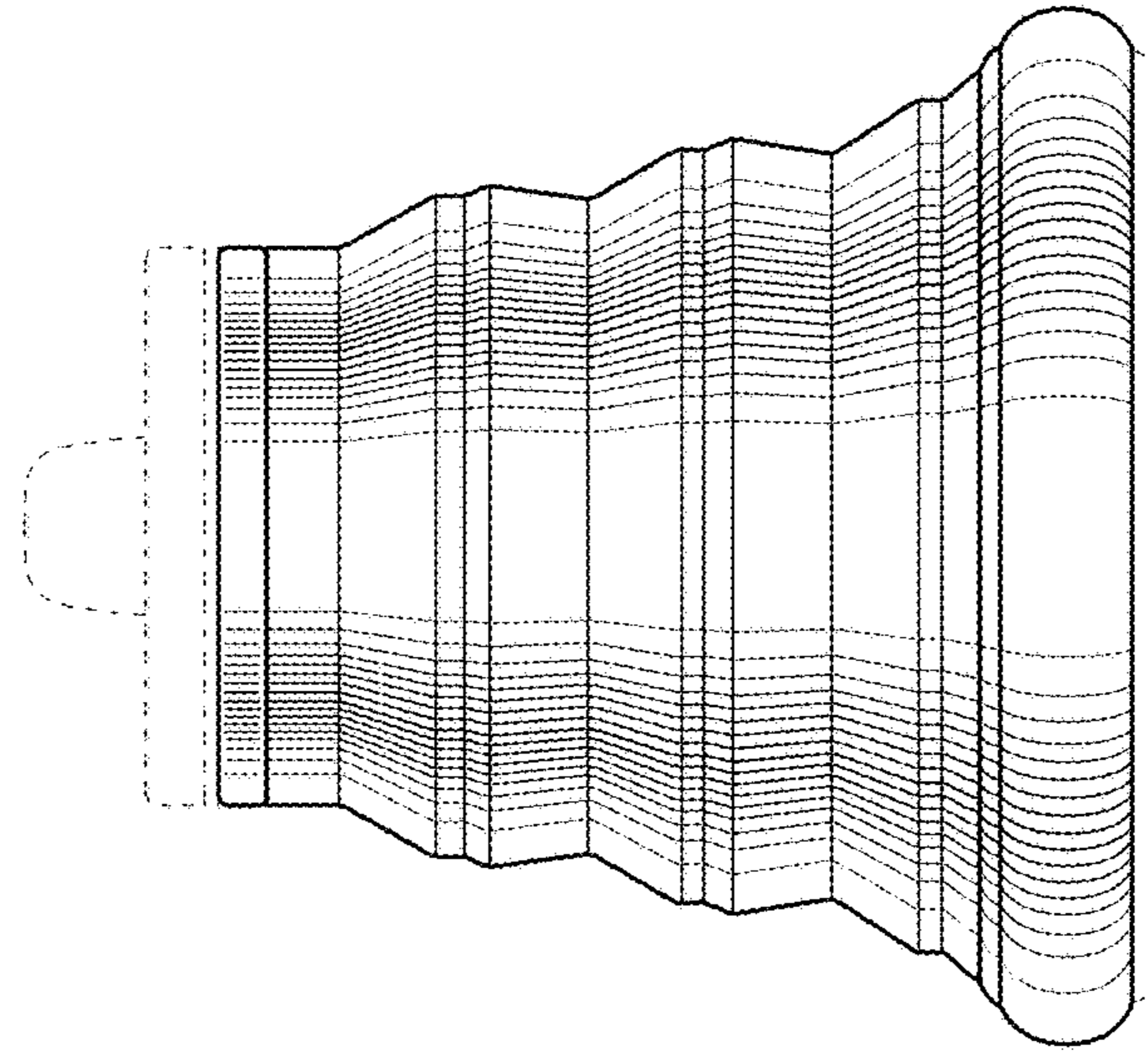


Fig. 6

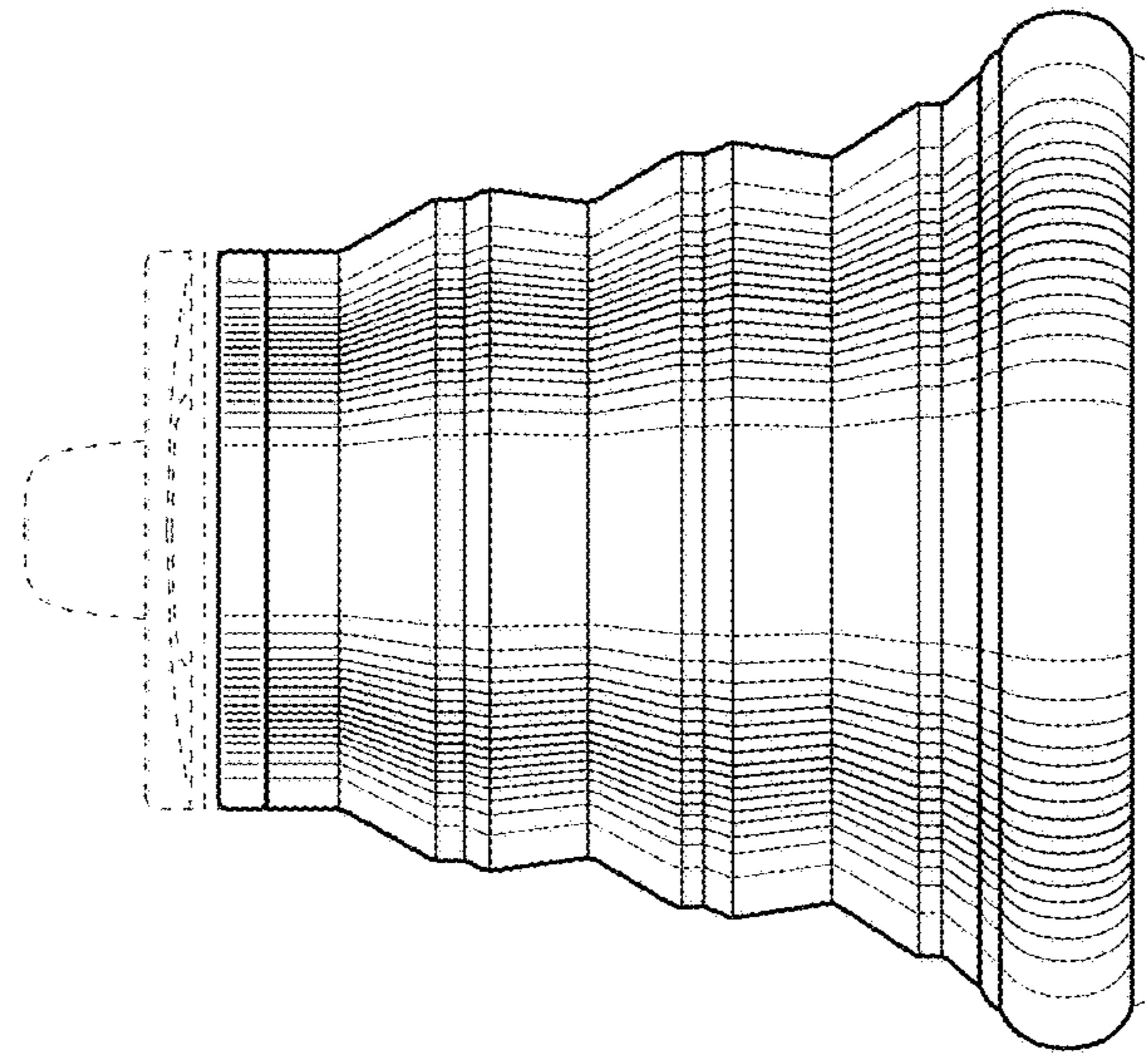


Fig. 7

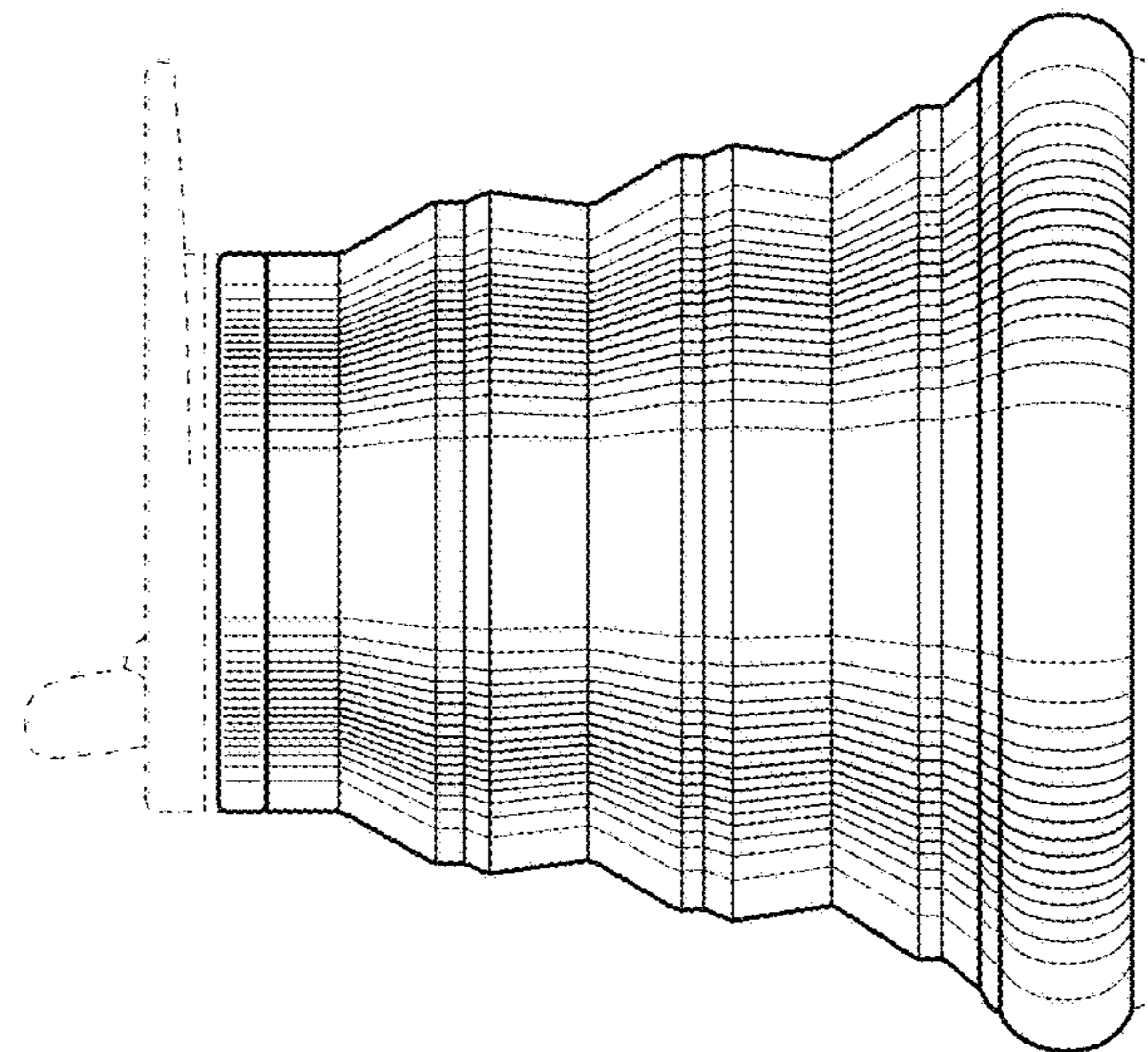


Fig. 8