



US00D779885S

(12) **United States Design Patent**
Crowder et al.

(10) **Patent No.:** **US D779,885 S**
(45) **Date of Patent:** **** Feb. 28, 2017**

(54) **WATER BOTTLE**

(71) Applicant: **IBD Bikes UK Limited**, Poole, Dorset (GB)

(72) Inventors: **Rebecca Crowder**, Somerset (GB);
Nicholas Larsen, Somerset (GB);
Ashley Clark, Dorset (GB)

(73) Assignee: **IBD Bikes UK Limited**, Poole, Dorset (GB)

(**) Term: **14 Years**

(21) Appl. No.: **29/510,736**

(22) Filed: **Dec. 2, 2014**

(51) **LOC (10) Cl.** **07-01**

(52) **U.S. Cl.**

USPC **D7/532**; D7/529; D9/570; D9/571

(58) **Field of Classification Search**

USPC D7/507–512, 523, 529–533, 536, 300,
D7/300.1, 591, 608, 629, 630, 400, 624.1,
D7/624.2, 395, 396.2, 393; D9/500, 501,
D9/502, 522, 556, 567, 569, 571, 554,
D9/776, 763, 767, 772, 432, 429, 702,
D9/710, 707; D8/90, 93, 321, 107;
220/592.16, 592.17, 592.12, 592.14,
220/592.15, 62.12, 62.13, 669, 751;
215/387, 18, 42; D3/201, 202, 314;
D30/127

CPC A47G 19/22; A47G 19/2227; A47G 19/02;
A47G 19/025; A47G 19/2288; Y10S
220/903

See application file for complete search history.

(56) **References Cited**

U.S. PATENT DOCUMENTS

5,484,128 A 1/1996 Franco, Sr.
D448,976 S * 10/2001 McDonough D7/509

6,942,131 B2 9/2005 Trautman
D529,761 S * 10/2006 Trombly D7/509
7,296,702 B2 * 11/2007 Tanaka B65D 23/0878
215/379
D565,417 S * 4/2008 Lee D9/541

(Continued)

OTHER PUBLICATIONS

JRFOTO Water Bottle Cage—printout from Amazon.com on Dec. 2, 2014; product available at least as early as Sep. 29, 2014.

(Continued)

Primary Examiner — Marianne Pandozzi

Assistant Examiner — Jae Liang

(74) *Attorney, Agent, or Firm* — Brian G. Gilpin; James A. Joyce; Godfrey & Kahn, S.C.

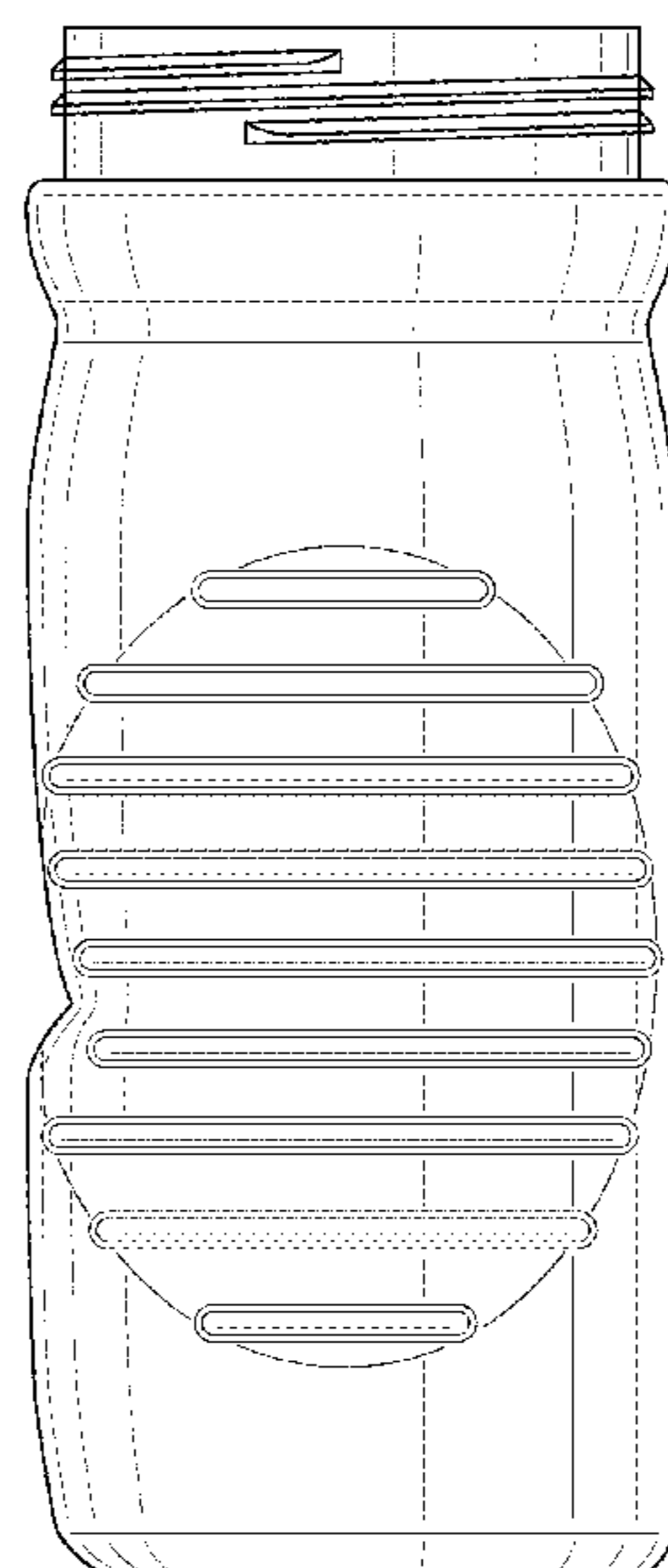
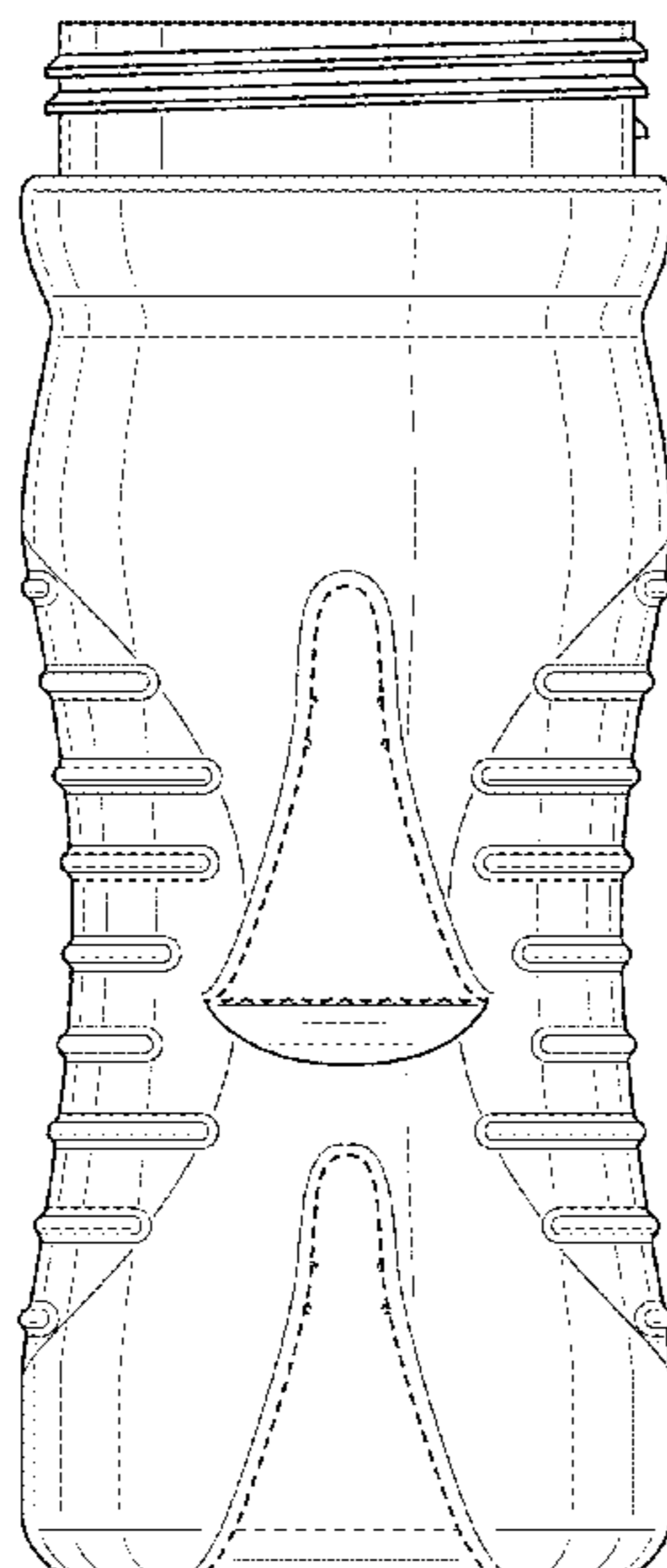
(57) **CLAIM**

We claim the ornamental design for a water bottle, as shown and described.

DESCRIPTION

FIG. 1 is a perspective view of a water bottle showing our new design;
FIG. 2 is a front view of the water bottle of FIG. 1;
FIG. 3 is a rear view of the water bottle of FIG. 1;
FIG. 4 is a right side elevational view of the water bottle of FIG. 1;
FIG. 5 is a left side elevational view of the water bottle of FIG. 1;
FIG. 6 is a top view of the water bottle of FIG. 1; and,
FIG. 7 is a bottom view of the water bottle of FIG. 1.
The broken lines in the drawings depict portions of the water bottle that form no part of the claimed design.

1 Claim, 6 Drawing Sheets



(56)

References Cited

U.S. PATENT DOCUMENTS

D597,365 S * 8/2009 Oas D7/300.1
D598,296 S * 8/2009 Serrano Diaz D9/570
D610,908 S * 3/2010 Kuzma D9/521
D650,687 S * 12/2011 Schriener D9/530
D651,520 S * 1/2012 Teitelbaum D9/541
D683,588 S * 6/2013 Dunn D24/197
8,469,248 B2 6/2013 Weng
D737,683 S * 9/2015 Staten D9/541
D751,343 S * 3/2016 Chen D7/509
D754,479 S * 4/2016 Tae D7/509
2011/0139672 A1* 6/2011 Burgess B65D 1/14
206/557

OTHER PUBLICATIONS

Photographs and webpage printouts of prior art bottle designs, all available on or before Dec. 1, 2014.

* cited by examiner

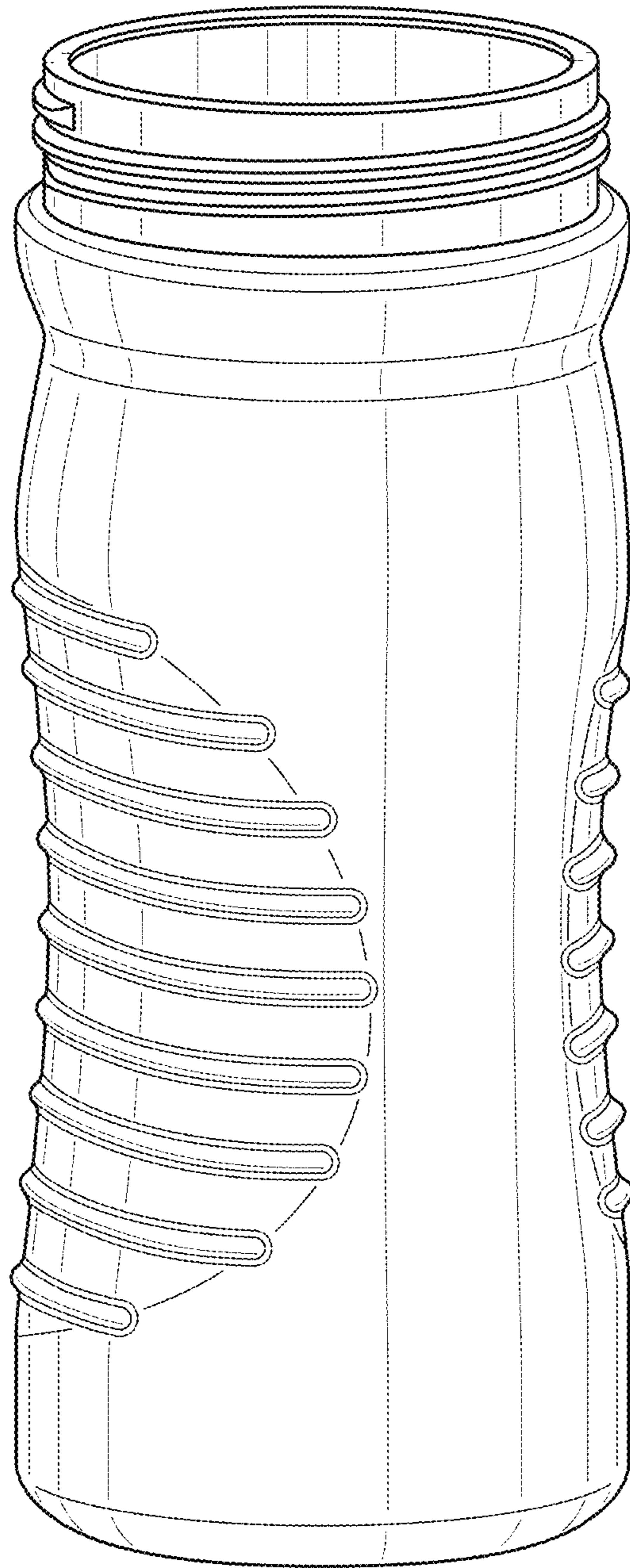


FIG. 1

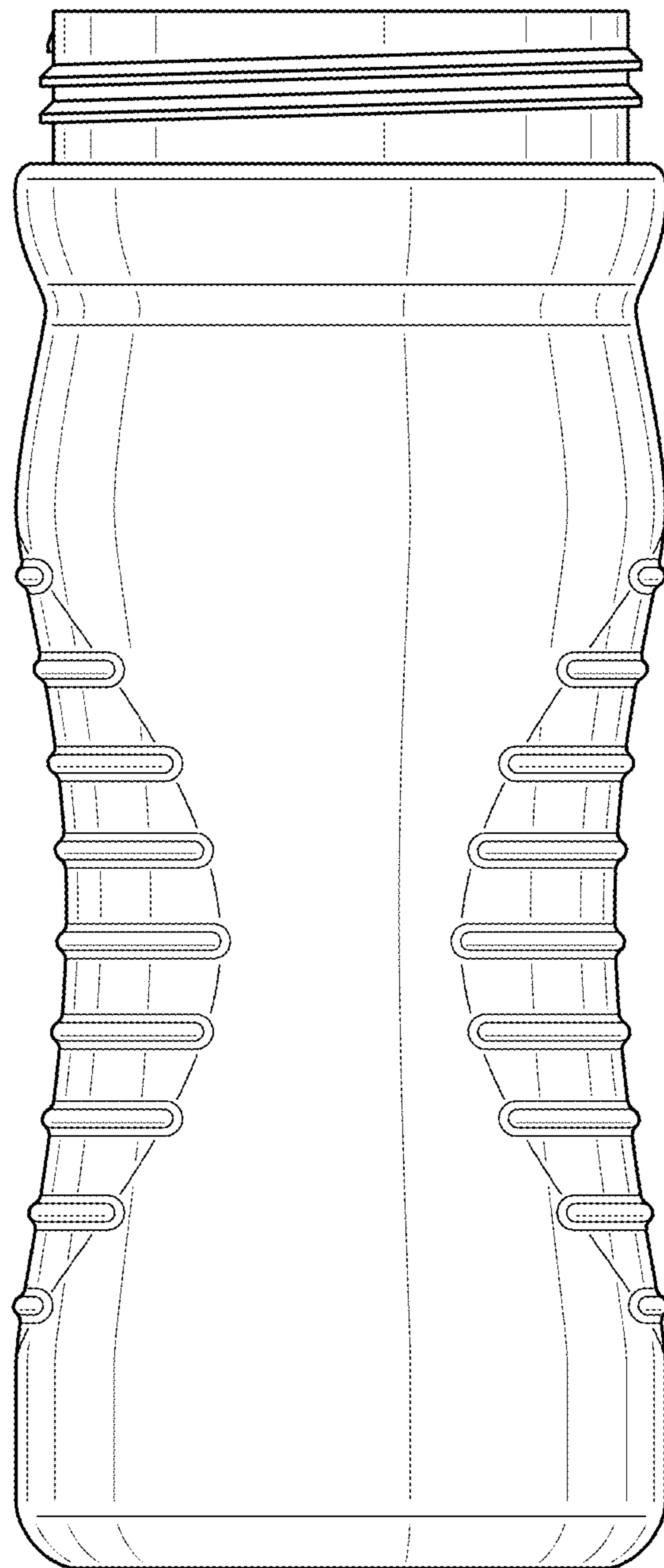


FIG. 2

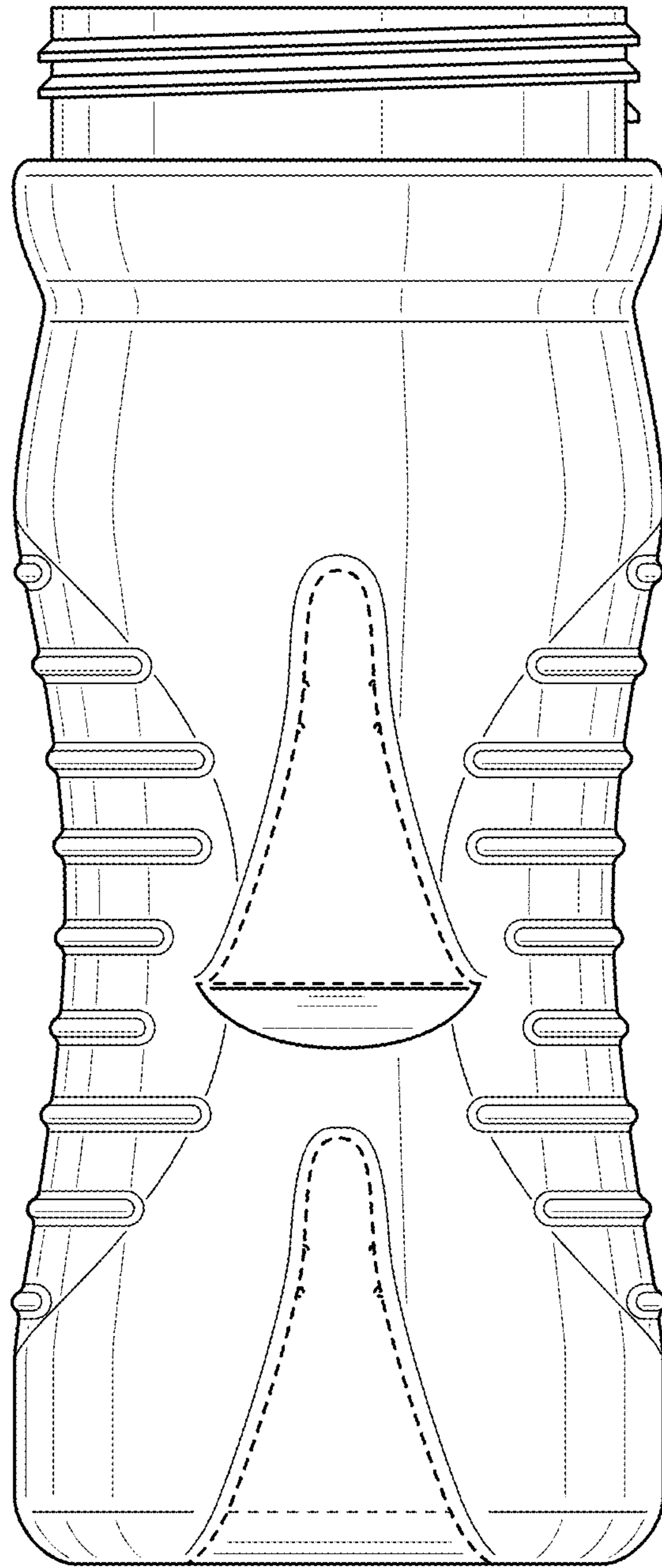


FIG. 3

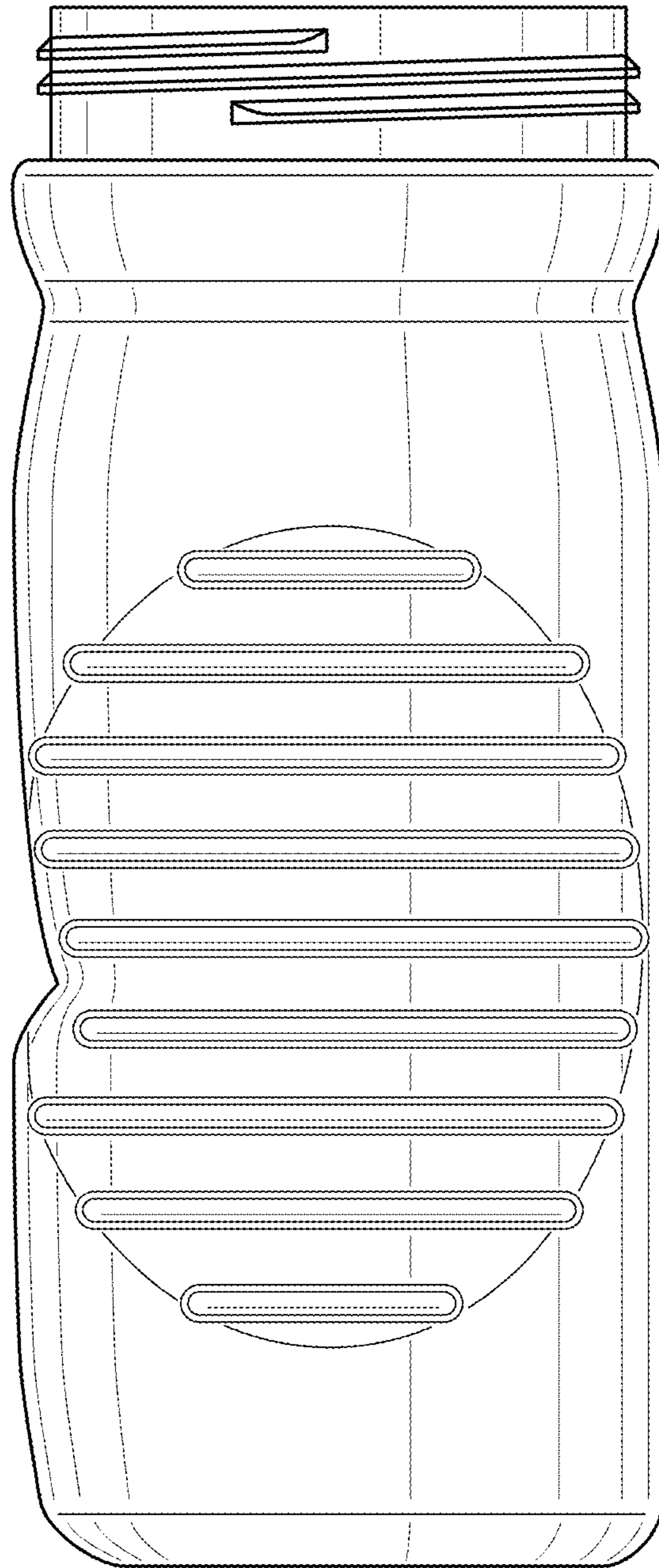


FIG. 4

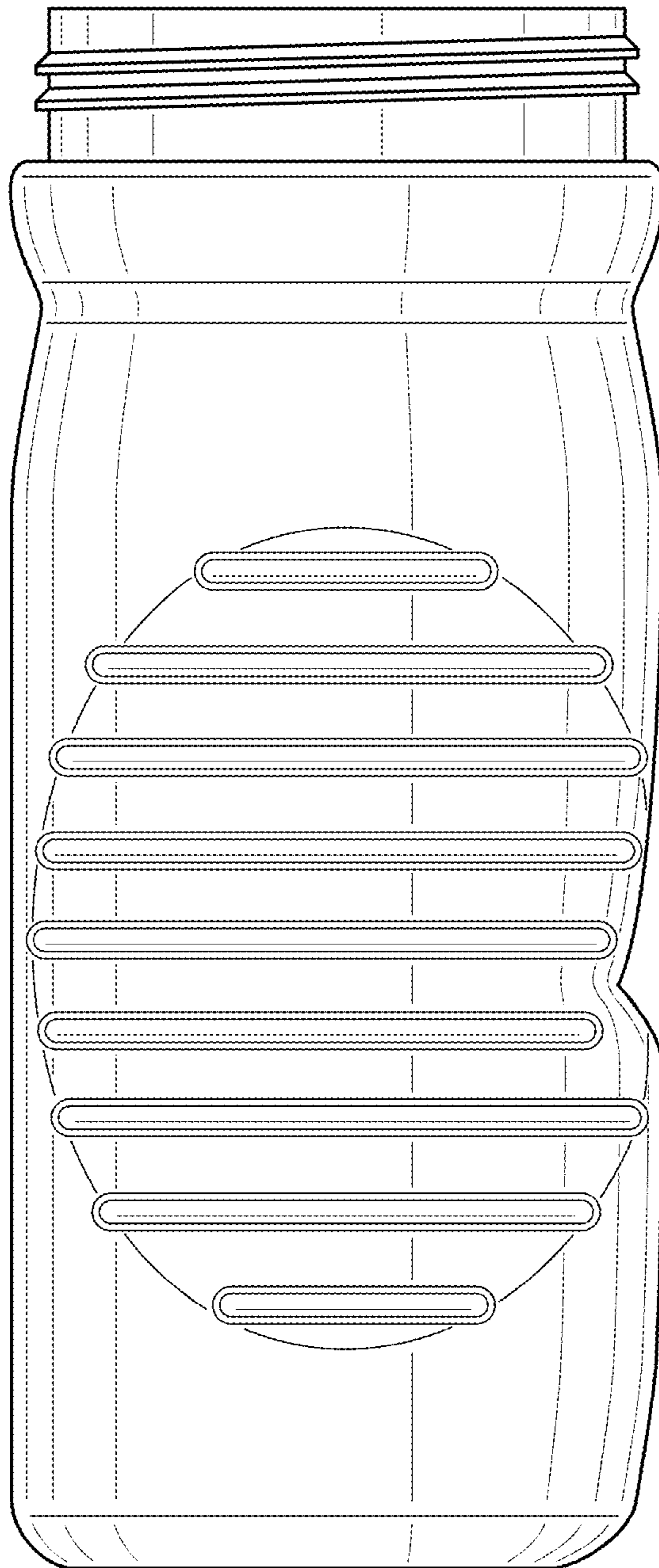


FIG. 5

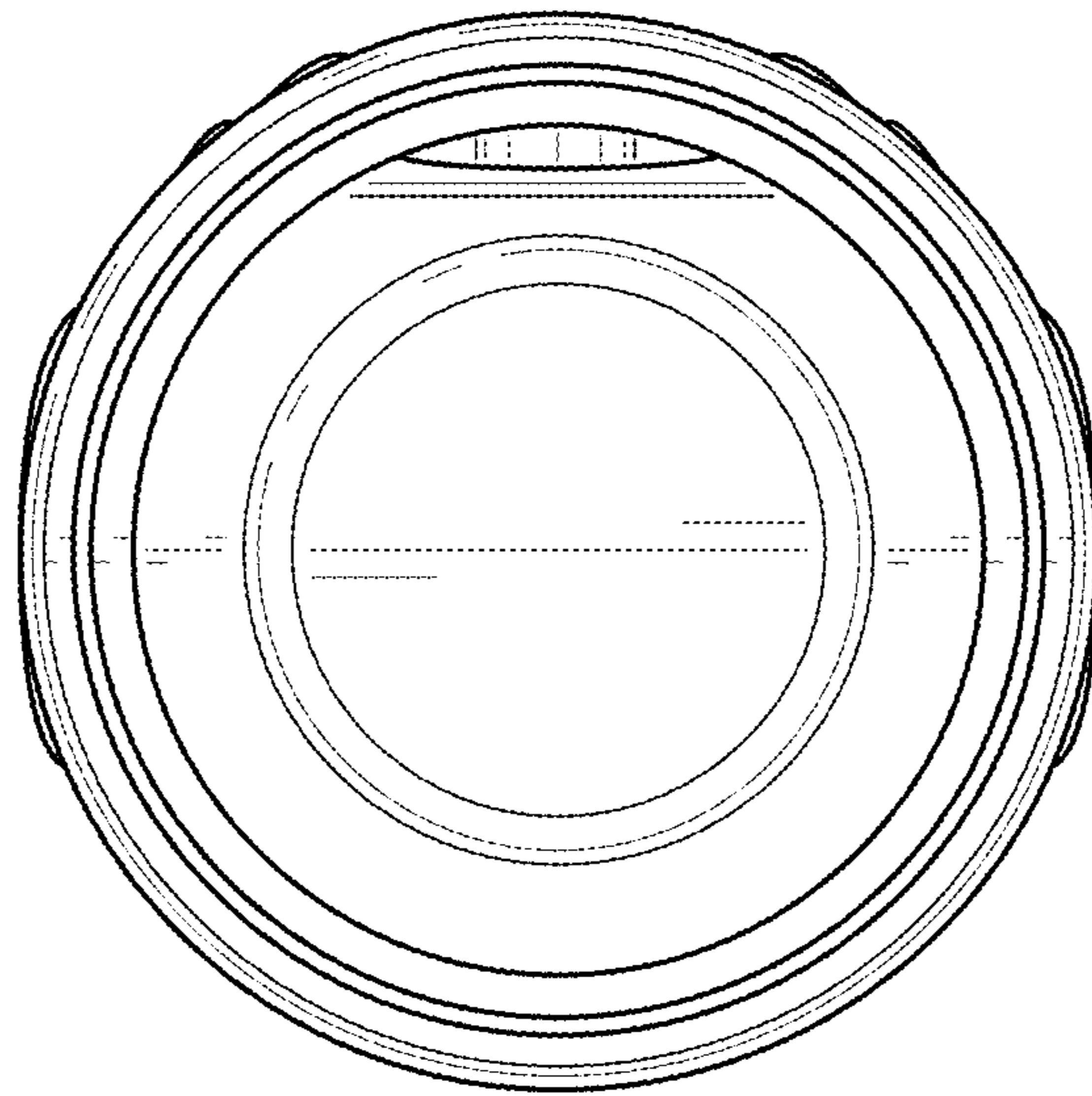


FIG. 6

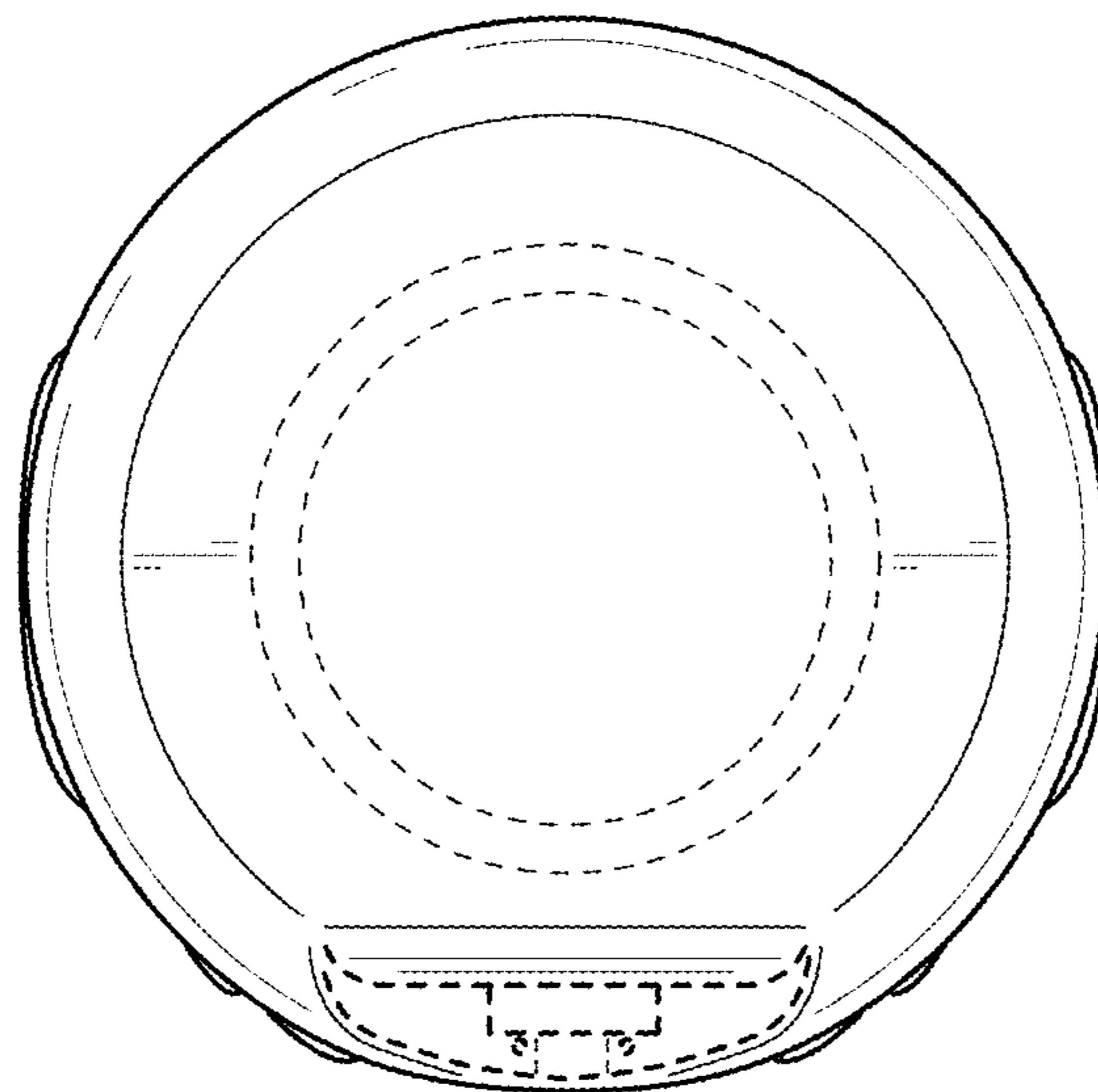


FIG. 7