



US00D779882S

(12) **United States Design Patent**
Plott et al.

(10) **Patent No.:** **US D779,882 S**

(45) **Date of Patent:** **** Feb. 28, 2017**

- (54) **BEVERAGE CONTAINER**
- (71) Applicant: **Flipsi, Ltd.**, Clay, MI (US)
- (72) Inventors: **Jeffrey S. Plott**, Clay, MI (US);
Christopher J. Plott, Dexter, MI (US)
- (73) Assignee: **FLIPSI, LTD.**, Clay, MI (US)
- (**) Term: **15 Years**
- (21) Appl. No.: **29/538,499**
- (22) Filed: **Sep. 3, 2015**
- (51) **LOC (10) Cl.** **07-01**
- (52) **U.S. Cl.**
USPC **D7/511; D7/510; D7/529**
- (58) **Field of Classification Search**
USPC D7/505, 507, 510, 511, 529, 533, 536,
D7/300.1, 589, 591, 608, 396.2, 392.1,
D7/900; D9/434, 435, 442, 447, 449, 526,
D9/517; 220/592.16, 592.17, 495.03, 509,
220/62.12, 220/703, 705; 215/388, 387;
D10/46.2; D24/197
CPC A47J 43/27; A47J 31/002; A47J 31/005;
A47J 43/0722; B01F 13/0022; B01F
15/00512; B01F 15/00564; B01F 11/0005;
B01F 2215/0022; A23G 9/52
See application file for complete search history.

- 6,332,704 B1 * 12/2001 Gasser A47J 43/27
220/568
- 6,644,846 B2 * 11/2003 Willat A47G 19/2205
206/520
- D501,361 S * 2/2005 Tollman D7/510
- D538,939 S * 3/2007 Conaway D24/197
- D601,429 S * 10/2009 Handy D9/520
- D608,589 S * 1/2010 Ingman D7/509
- D644,334 S * 8/2011 Py D24/197
- D655,618 S * 3/2012 Oates D9/690
- D663,038 S * 7/2012 Enghard D24/197
- D686,740 S * 7/2013 Boonprasop D24/197
- D692,765 S * 11/2013 Oates D9/517
- D692,766 S * 11/2013 Oates D9/517
- D730,694 S * 6/2015 Elsaden D7/511
- D753,482 S * 4/2016 Serrano D9/428

* cited by examiner

Primary Examiner — Marianne Pandozzi

Assistant Examiner — Jae Liang

(74) *Attorney, Agent, or Firm* — Foley & Lardner LLP

(57) **CLAIM**

We claim the ornamental design for a beverage container, as shown and described.

DESCRIPTION

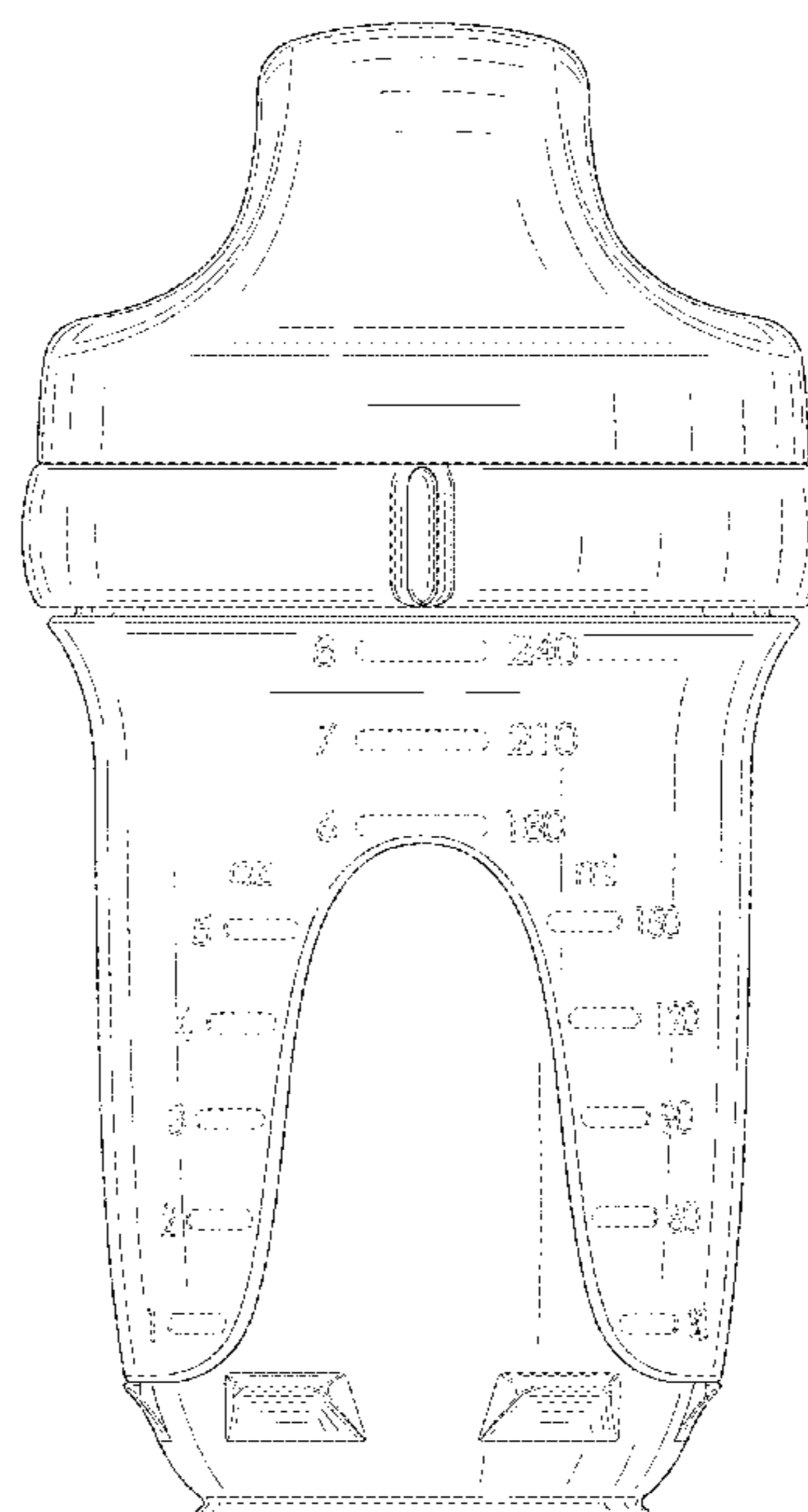
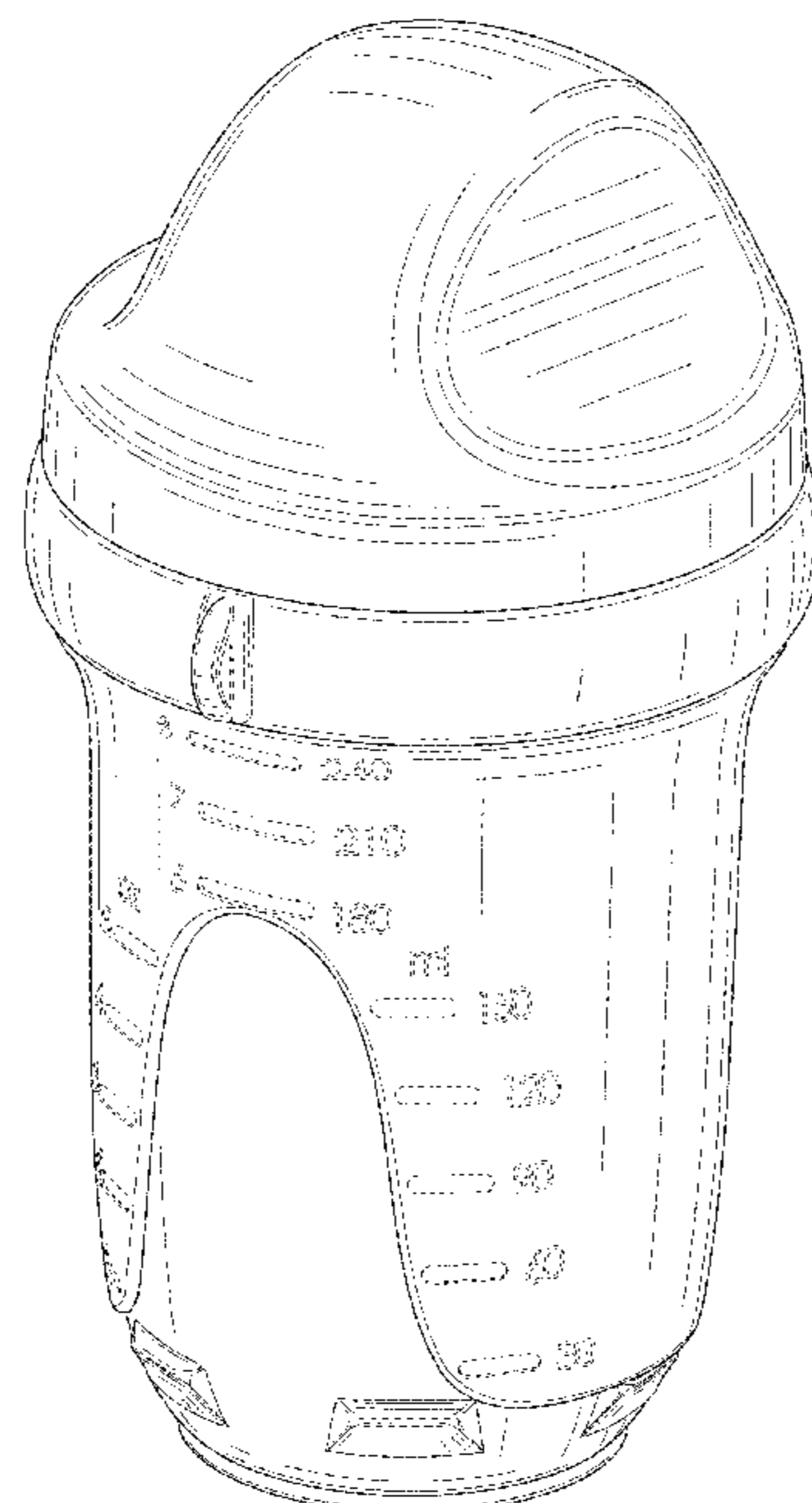
FIG. 1 is a top, front, right side perspective view of a beverage container showing our new design; FIG. 2 is a front elevational view thereof; FIG. 3 is a rear elevational view thereof; FIG. 4 is a right side elevational view thereof; FIG. 5 is a left side elevational view thereof; FIG. 6 is a top plan view thereof; and, FIG. 7 is a bottom plan view thereof. The broken lines in the drawing depict portions of the beverage container that form no part of the claimed design.

1 Claim, 7 Drawing Sheets

(56) **References Cited**

U.S. PATENT DOCUMENTS

- 3,760,972 A * 9/1973 McKirnan A47G 19/12
206/515
- D260,078 S * 8/1981 Casoni D7/505
- D379,429 S * 5/1997 Weiss D9/447
- 6,053,363 A * 4/2000 Revenu B05B 11/0054
222/183



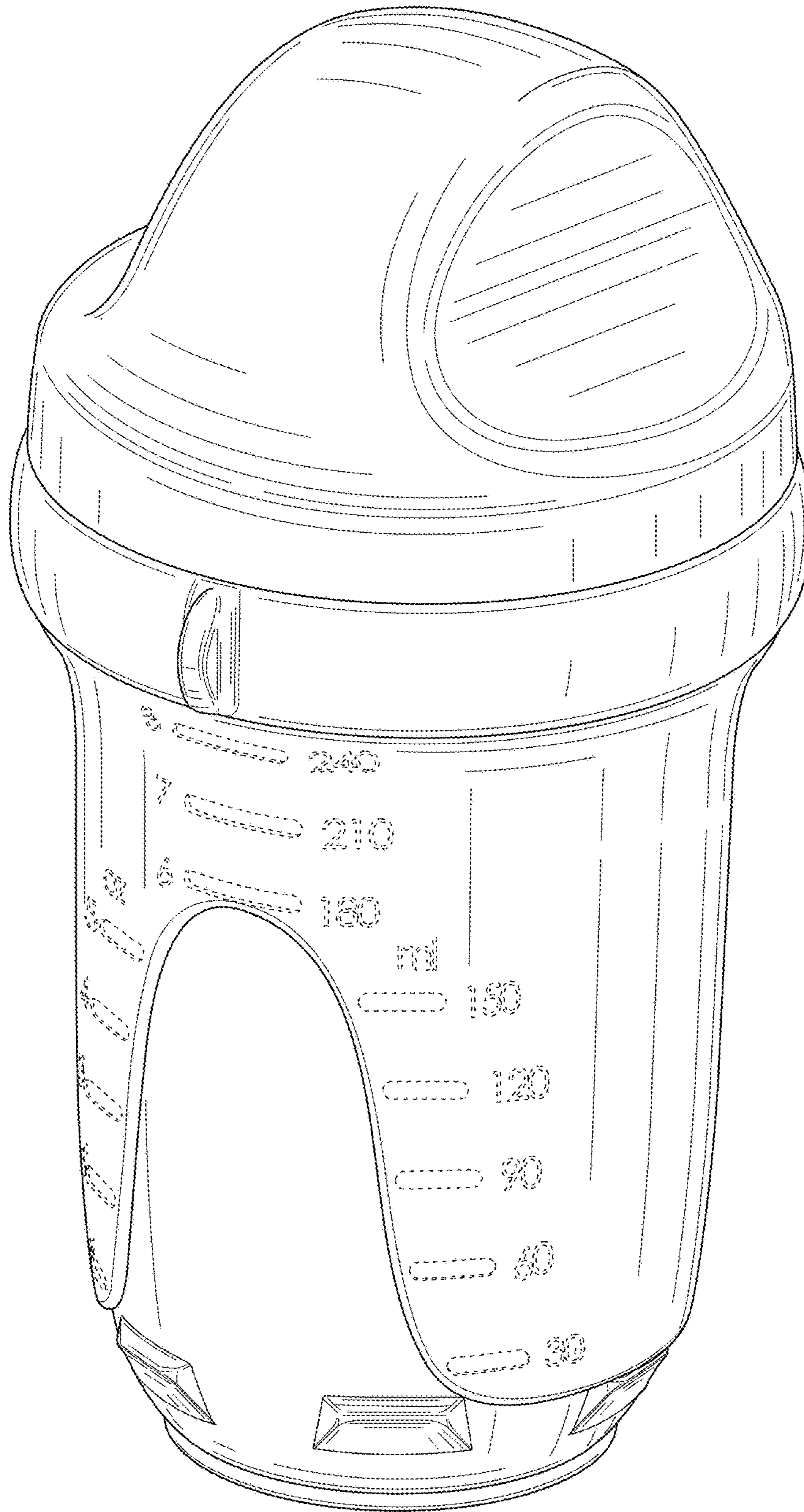


FIG. 1

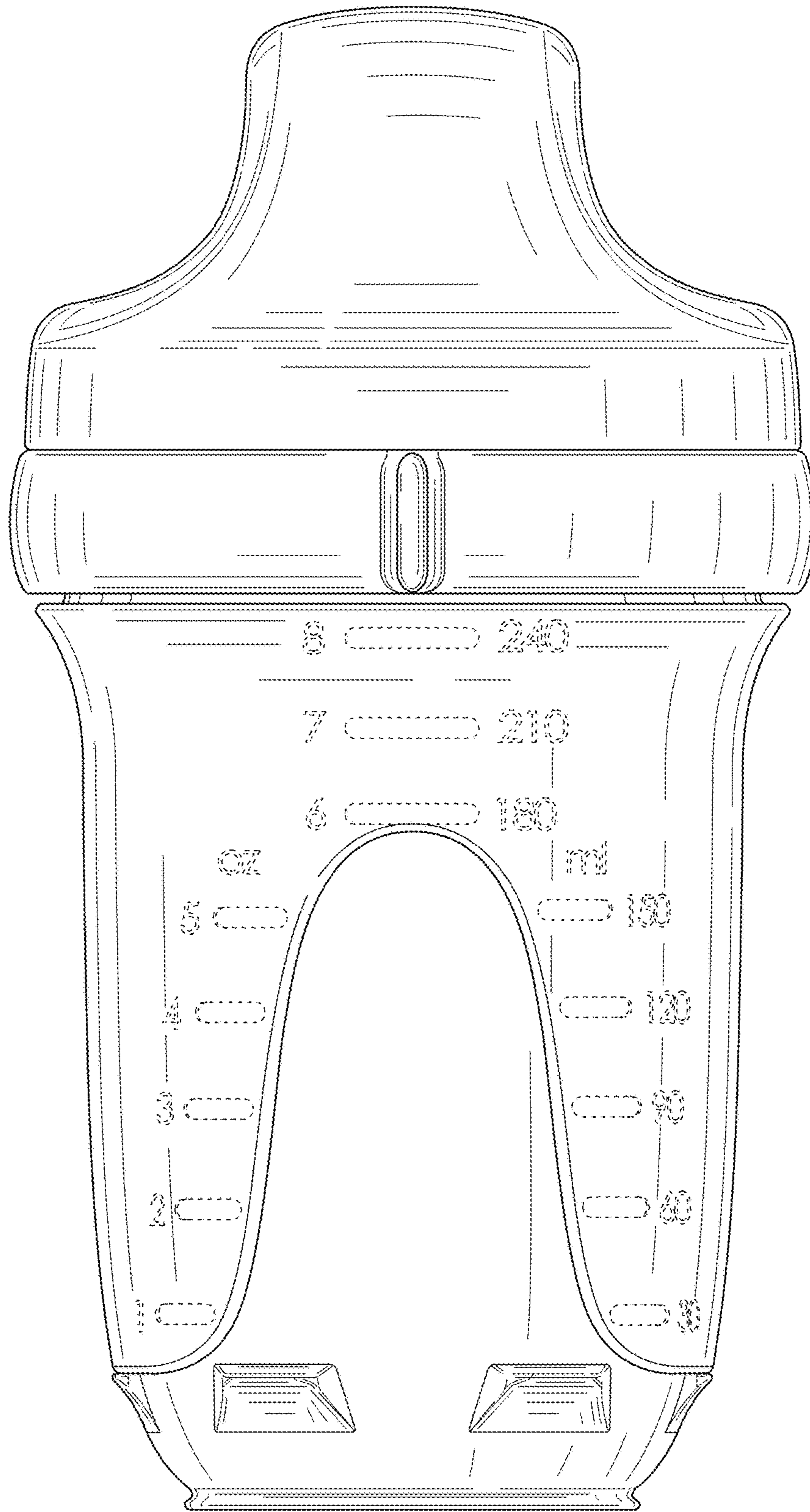


FIG. 2

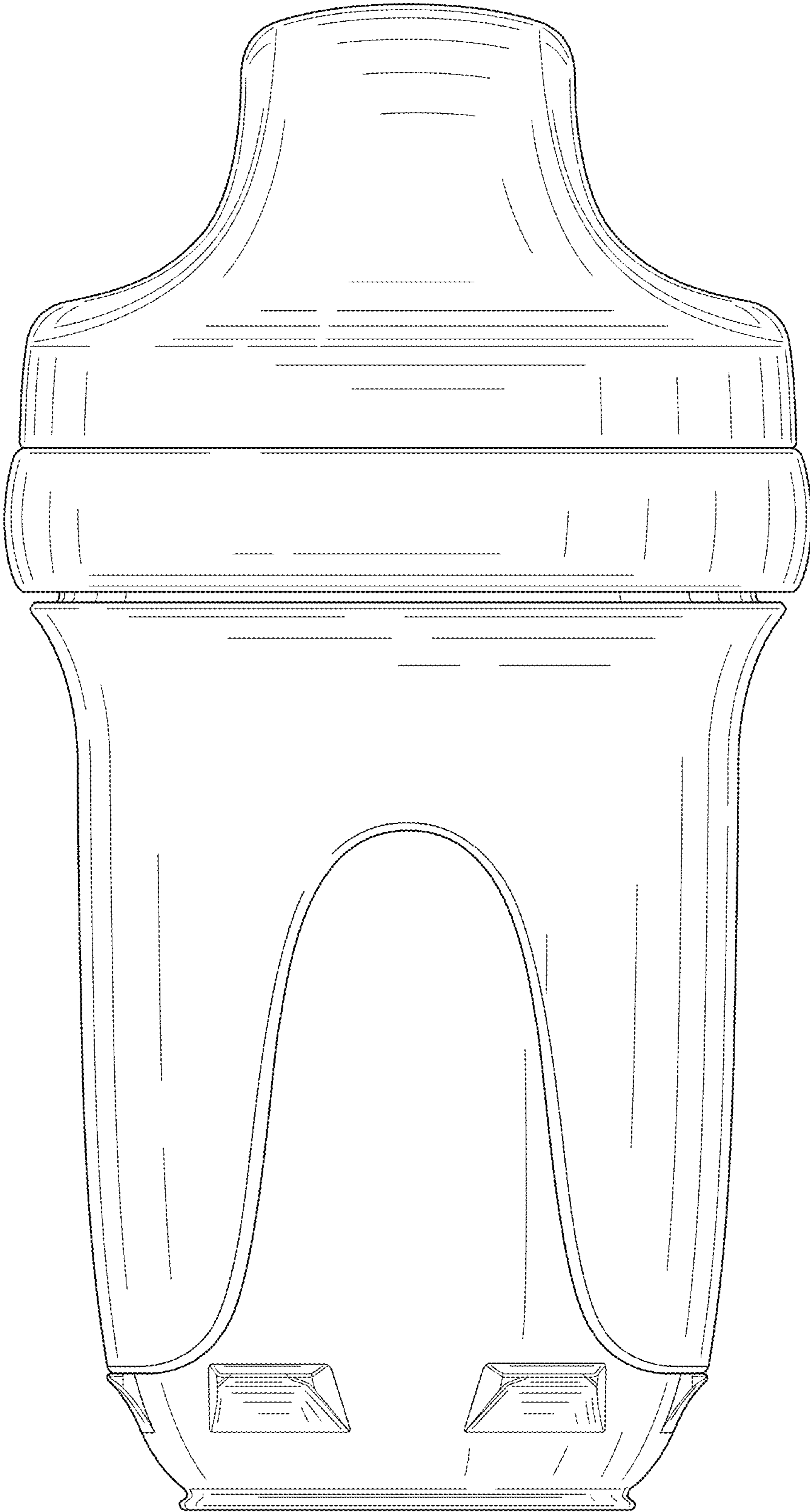


FIG. 3

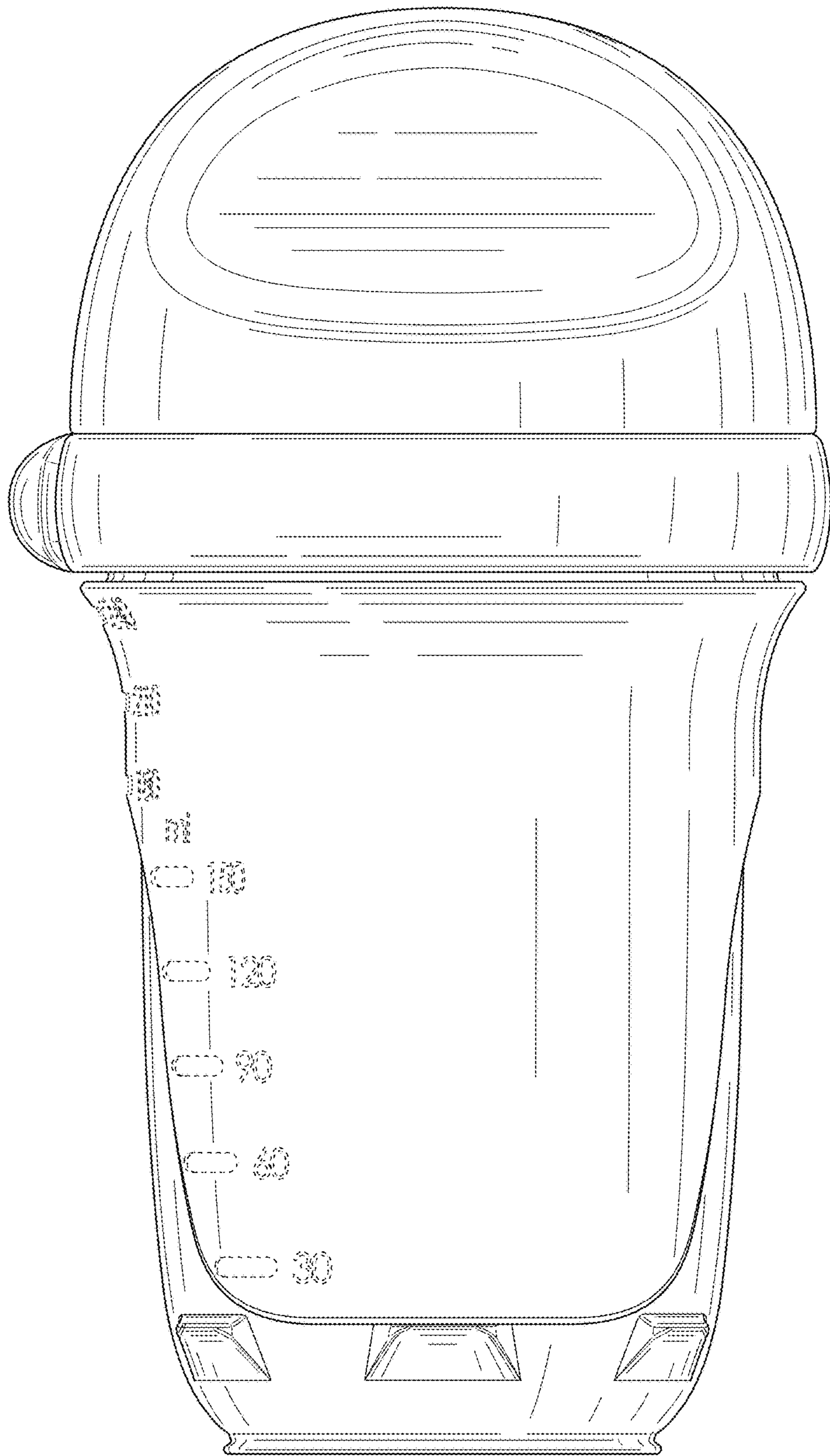


FIG. 4

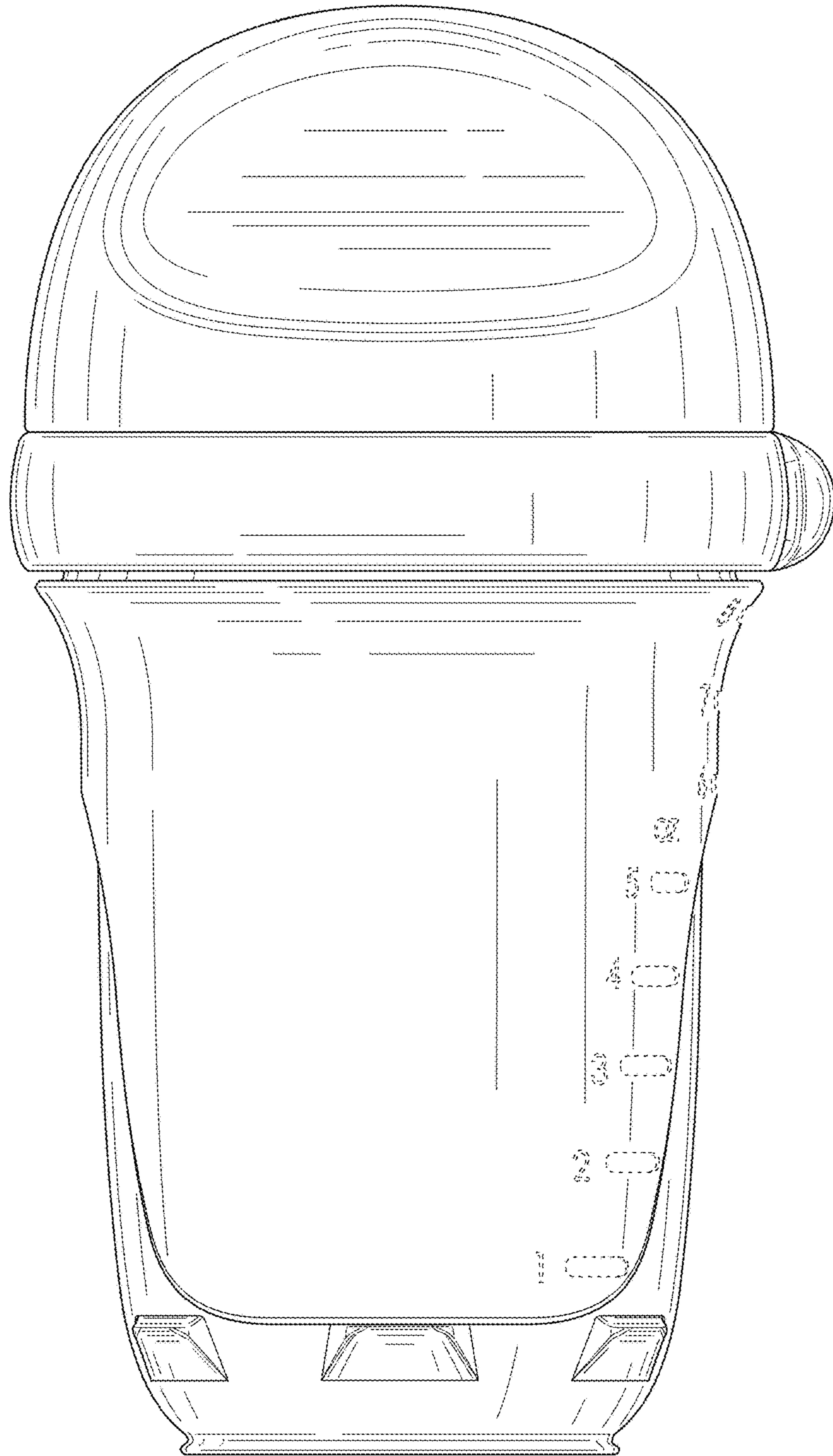


FIG. 5

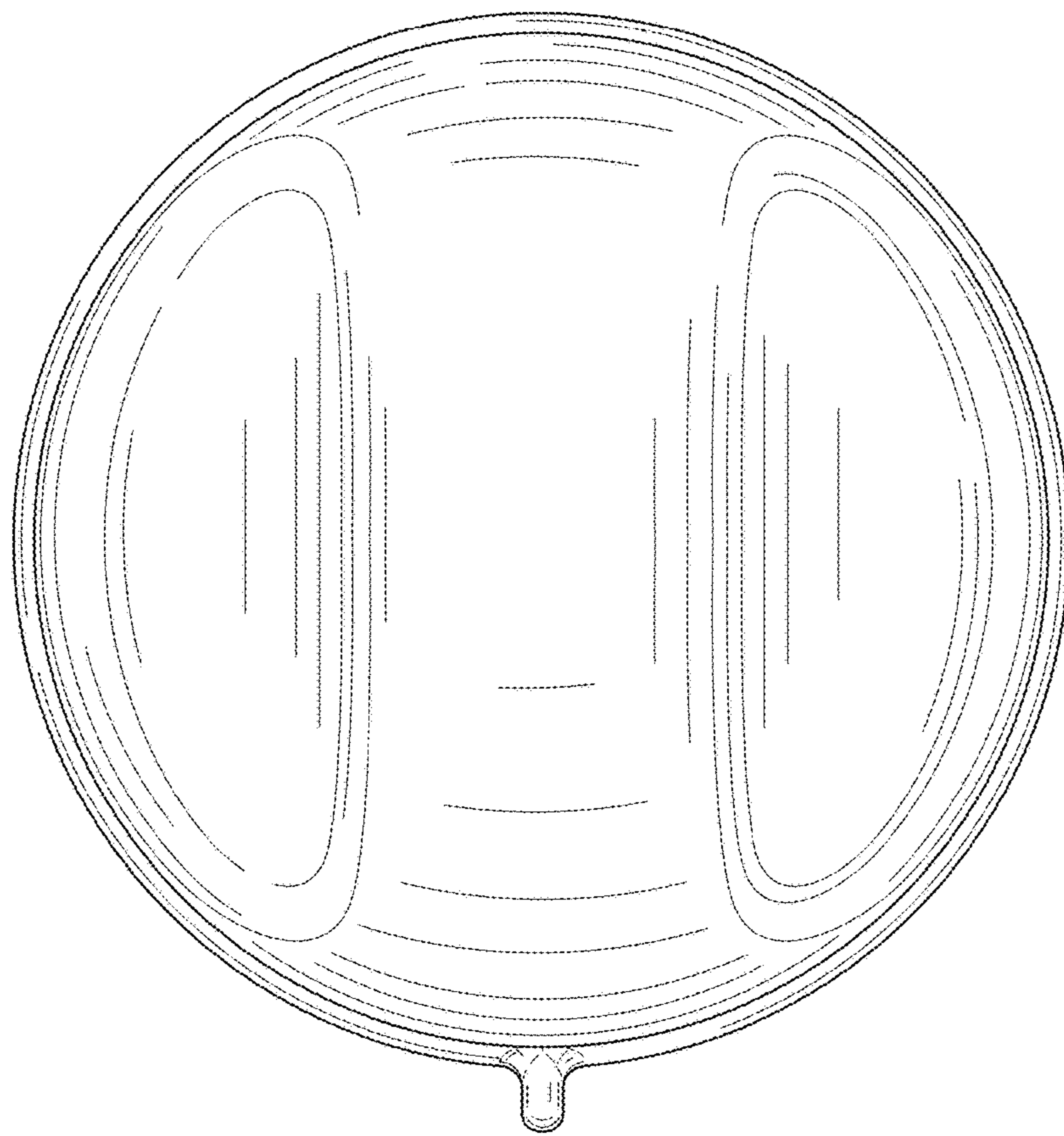


FIG. 6

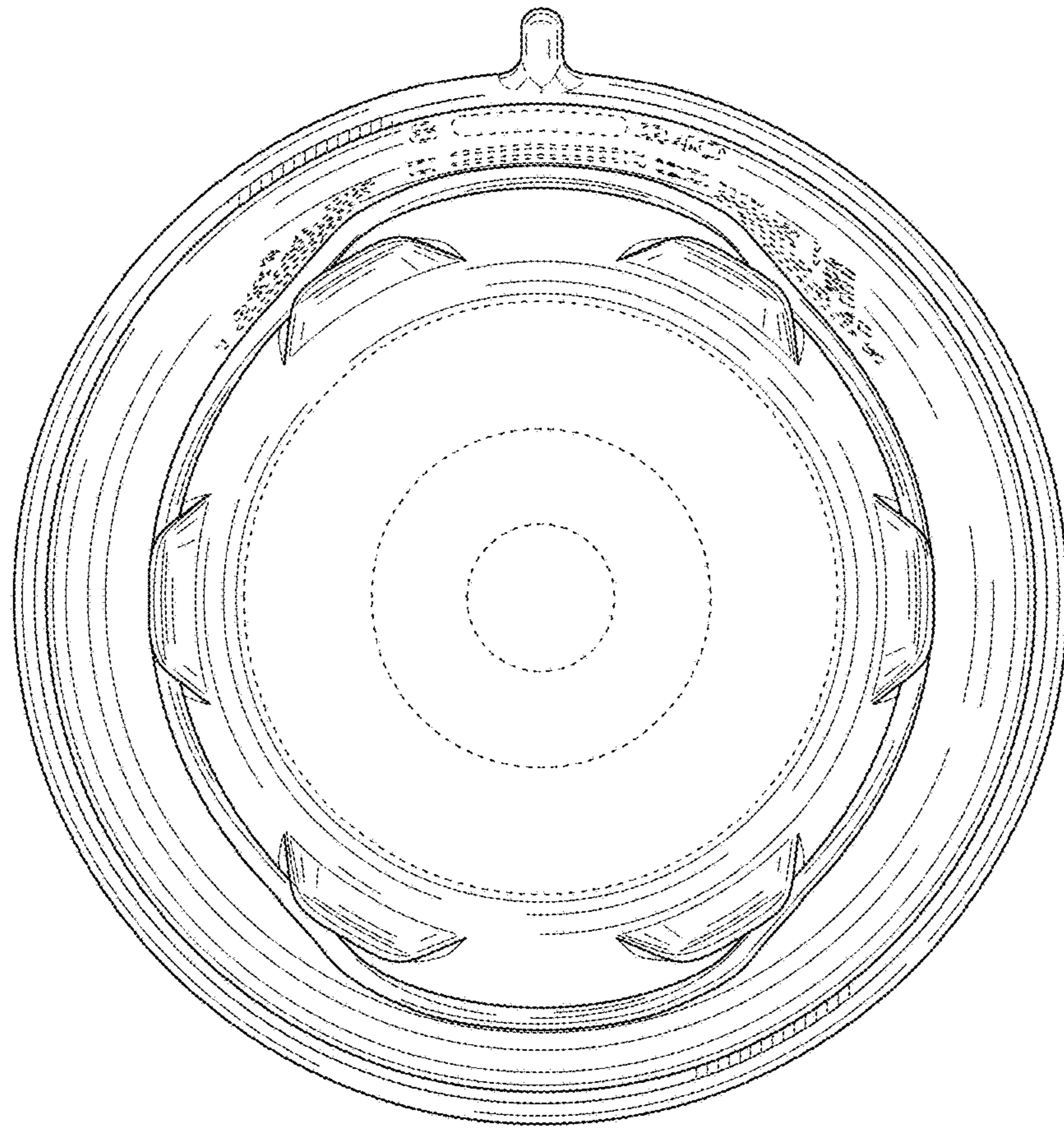


FIG. 7