



US00D779879S

(12) **United States Design Patent**
Walker

(10) **Patent No.:** **US D779,879 S**

(45) **Date of Patent:** **** Feb. 28, 2017**

- (54) **TRAY SET**
- (71) Applicant: **Target Brands, Inc.**, Minneapolis, MN (US)
- (72) Inventor: **Douglas Le'Spencer Walker**, Minneapolis, MN (US)
- (73) Assignee: **Target Brands, Inc.**, Minneapolis, MN (US)
- (**) Term: **14 Years**
- (21) Appl. No.: **29/522,616**
- (22) Filed: **Apr. 1, 2015**
- (51) **LOC (10) Cl.** **07-01**
- (52) **U.S. Cl.**
USPC **D7/507; D7/553.1; D7/553.2; D7/550.1; D19/77**

- 2,099,279 A * 11/1937 Schnider A47K 5/03
132/314
 - D148,455 S * 1/1948 Bleich D19/92
 - D149,105 S * 3/1948 Barnett D28/73
 - D155,124 S * 9/1949 Carver D19/22
 - D156,974 S * 1/1950 Knowles D19/103
 - D159,130 S * 6/1950 Auger D24/229
 - D163,587 S * 6/1951 Eddleman D12/423
 - D164,157 S * 8/1951 Chrzanowski D19/78
 - D165,128 S * 11/1951 Blacher D19/103
 - 2,614,399 A * 10/1952 Roethel F25C 1/24
220/23.4
 - D171,199 S * 12/1953 Edwards D19/75
 - D181,340 S * 11/1957 Breneman D28/77
 - 3,273,700 A * 9/1966 Moreau B44D 3/04
206/1.7
 - 3,305,126 A * 2/1967 Cease B65D 1/36
206/508
 - D208,317 S * 8/1967 Broder 108/26
 - D225,556 S * 12/1972 Cyr D7/505
 - 4,279,354 A * 7/1981 Conti A47G 19/02
206/501
 - D276,444 S * 11/1984 Battle D19/75
- (Continued)

- (58) **Field of Classification Search**
USPC D7/500, 501, 505, 507, 509, 510, 511, D7/512, 523, 532, 534, 608, 607, 550.1, D7/553.1, 553.2, 554.3, 555, 543; D9/414, 430, 431, 740, 759, 756, 520, D9/540, 552, 554, 555, 558, 503, 504, D9/432; D3/203.3, 203.2, 205, 283, 202, D3/288, 903, 901, 304, 313, 319; D28/77, D28/83; D19/77, 92, 81, 90, 95, 65, D19/102, 103, 105, 106, 107, 109; D6/301, 705, 706; 215/388; 220/703, 529, 220/507, 500, 495.03, 4.31, 4.26, 3.7, 220/3.94, 4.21; D12/414.1; D11/144
CPC .. A47G 19/30; A47G 19/022; A47G 23/0608; A47G 23/0633; A47G 23/06
See application file for complete search history.

- (56) **References Cited**
U.S. PATENT DOCUMENTS
D20,487 S * 1/1891 McBride D7/555
1,511,265 A * 10/1924 Chilson A47G 23/06
220/23.8

OTHER PUBLICATIONS

<http://cdn.insideout.com.au/images/16730/jan15-desk-accessories-3-set-of-trays-20141223154741~q75,dx1920y-u1r1g0,c--.jpg>, Oct. 26, 2014.*

Primary Examiner — Marianne Pandozzi
Assistant Examiner — Jae Liang
(74) *Attorney, Agent, or Firm* — Leanne Taveggia Farrell; Westman, Champlin & Koehler, P.A.

(57) **CLAIM**
The ornamental design for a tray set, as shown and described.

DESCRIPTION
FIG. 1 is a perspective view of a tray set showing my new design;
FIG. 2 is a front view thereof;
FIG. 3 is a rear view thereof;
FIG. 4 is a left side view thereof;
(Continued)

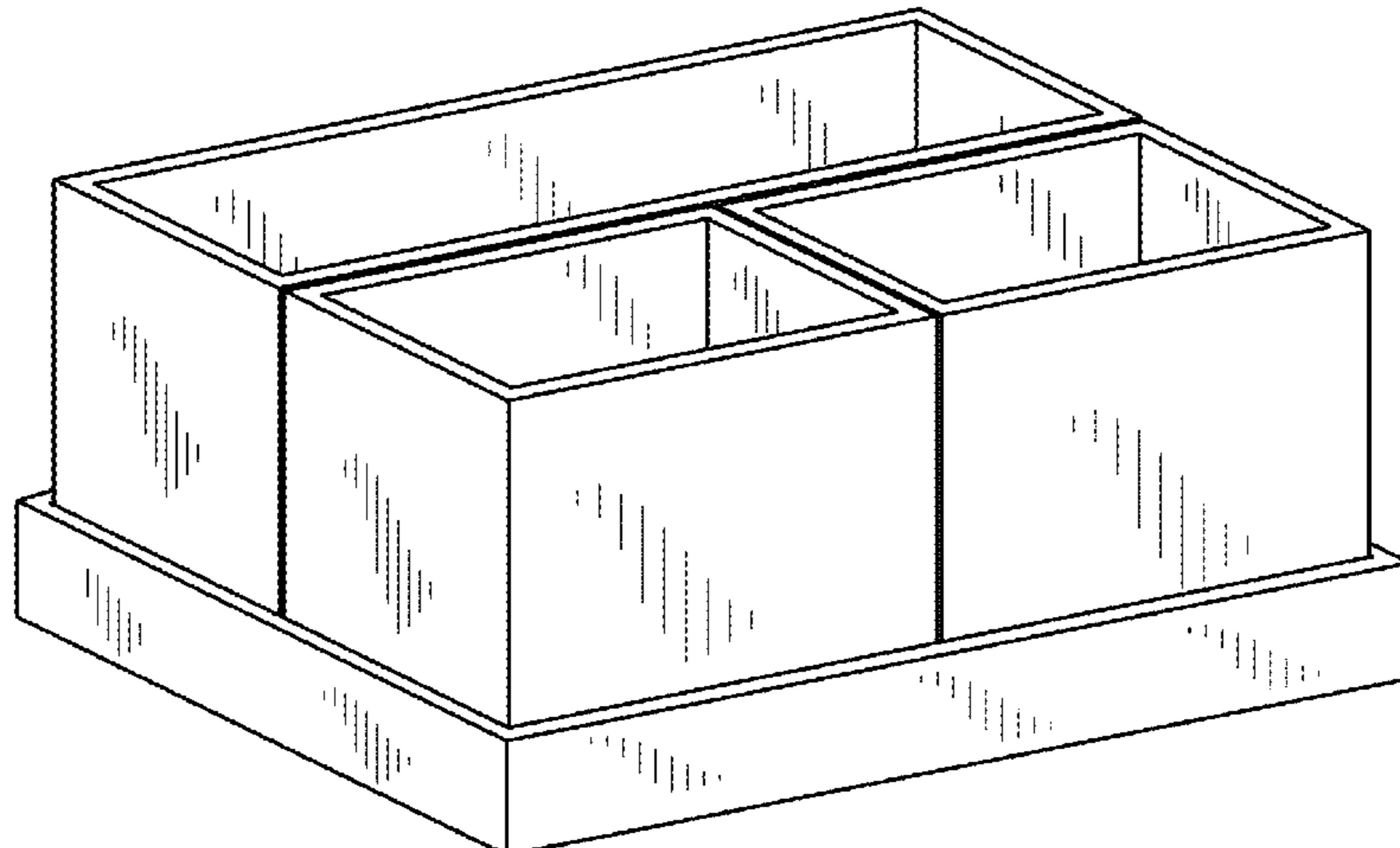


FIG. 5 is a right side view thereof;
 FIG. 6 is a top view thereof;
 FIG. 7 is a bottom view thereof; and,
 FIG. 8 is an exploded perspective view thereof.

1 Claim, 5 Drawing Sheets

(56)

References Cited

U.S. PATENT DOCUMENTS

D292,768 S * 11/1987 Kearney D7/553.5
 D301,642 S * 6/1989 Bakic D28/78
 4,966,296 A * 10/1990 Farrell A47G 23/06
 206/820
 5,007,552 A * 4/1991 Sage A47F 3/14
 220/23.4
 D331,942 S * 12/1992 Kirchner D19/75
 5,215,205 A * 6/1993 Behlman B60R 7/02
 220/4.31
 D338,135 S * 8/1993 Anderson D7/549
 D338,808 S * 8/1993 Anderson D7/549
 D352,203 S * 11/1994 Campbell D7/546
 D355,333 S * 2/1995 Campbell D7/553.2
 5,458,271 A * 10/1995 Allen B65D 75/525
 211/72
 D363,856 S * 11/1995 Westbrooks, Jr. D7/553.2
 D376,953 S * 12/1996 Dunn D7/549
 D378,726 S * 4/1997 Dunn D7/549
 D404,767 S * 1/1999 Joun D19/75
 D405,610 S * 2/1999 Rasmussen D3/305
 5,890,589 A * 4/1999 Lorens A47G 23/06
 206/232
 D474,688 S * 5/2003 Litts D3/295
 6,871,921 B2 * 3/2005 Ernst A47B 88/20
 220/529
 D526,492 S * 8/2006 Sakaguchi D6/301
 D527,914 S * 9/2006 Sakaguchi D6/301
 D561,408 S * 2/2008 Marsh D30/130

7,326,428 B2 * 2/2008 Weir A47J 47/10
 220/23.88
 D568,687 S * 5/2008 Lovett D7/553.3
 D573,193 S * 7/2008 Lau D19/65
 D581,598 S * 11/2008 Buechler D28/83
 D586,623 S * 2/2009 Dunn D7/541
 D591,111 S * 4/2009 Rzeczkowski D7/548
 D594,903 S * 6/2009 Lau D19/65
 D605,896 S * 12/2009 Zalewski D7/553.1
 7,624,886 B2 * 12/2009 Huang A45C 5/045
 220/507
 D609,031 S * 2/2010 Miyakawa D6/301
 D611,697 S * 3/2010 Hay D3/205
 D615,822 S * 5/2010 Klein D7/392.1
 D648,176 S * 11/2011 Filbrun D7/501
 D659,632 S * 5/2012 Jordan D12/414.1
 D660,086 S * 5/2012 Buchman D7/553.2
 D672,395 S * 12/2012 Chuang D19/77
 D693,180 S * 11/2013 Peterson D7/555
 D702,761 S * 4/2014 Foley D19/77
 8,807,373 B1 * 8/2014 Russell A47G 23/06
 220/359.1
 D713,196 S * 9/2014 Sarnoff D7/354
 D727,623 S * 4/2015 Nickell D3/313
 D731,323 S * 6/2015 O'Neill D9/721
 D735,531 S * 8/2015 Wilson D7/505
 D737,099 S * 8/2015 Marshall D7/500
 9,332,814 B2 * 5/2016 Brock A45C 11/008
 9,353,989 B2 * 5/2016 Furr F25D 25/025
 D761,153 S * 7/2016 Agar D11/143
 D763,683 S * 8/2016 O'Neill D9/432
 D763,684 S * 8/2016 O'Neill D9/432
 D763,706 S * 8/2016 Shum D9/737
 D767,409 S * 9/2016 Nickell D9/737
 2006/0124647 A1 * 6/2006 Rosenberg A47B 88/20
 220/500
 2008/0099485 A1 * 5/2008 Holbrook B65D 75/245
 220/507
 2008/0121641 A1 * 5/2008 Rankin B65D 25/04
 220/507
 2011/0121002 A1 * 5/2011 Stiller A45C 11/20
 220/504

* cited by examiner

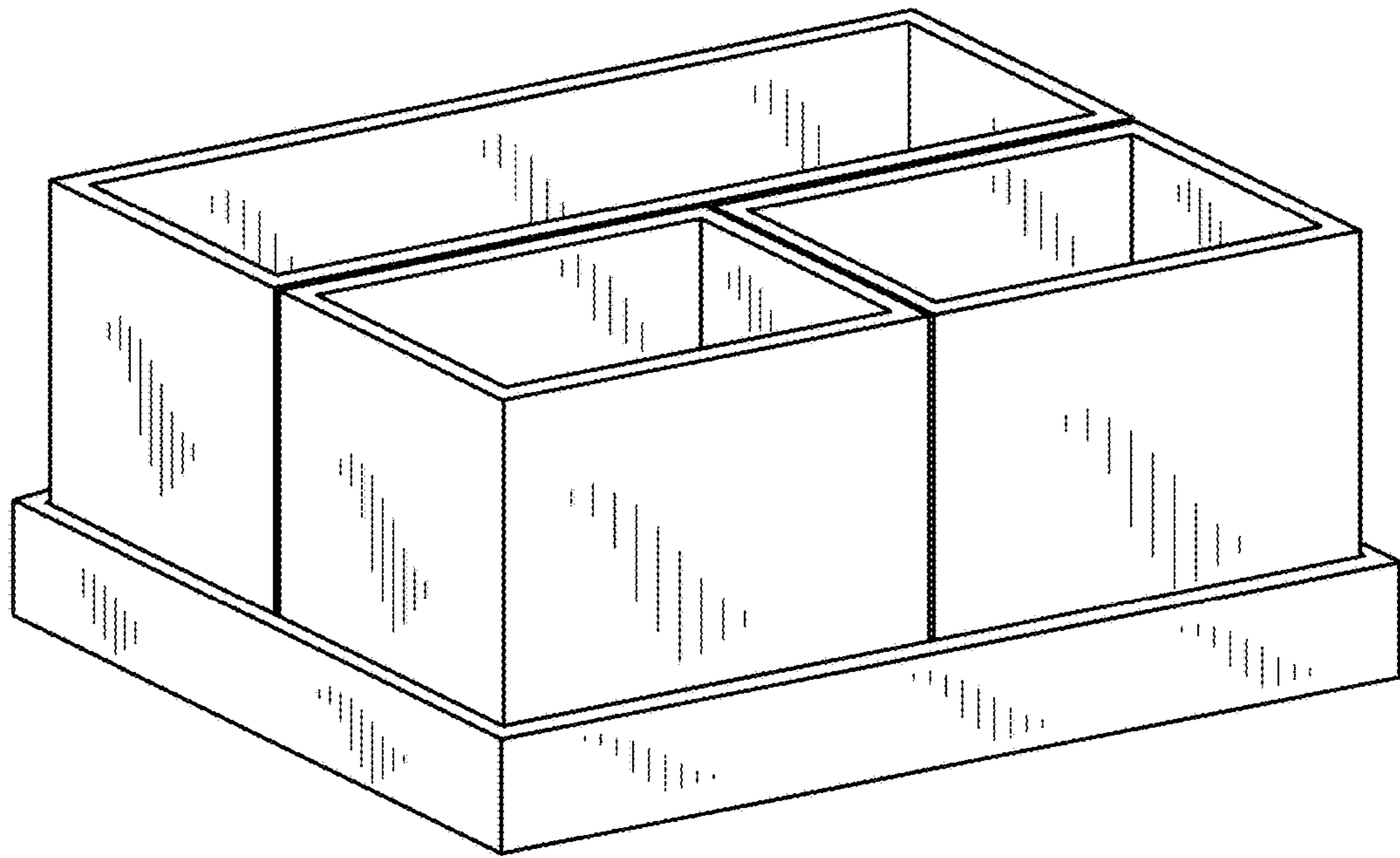


FIG. 1

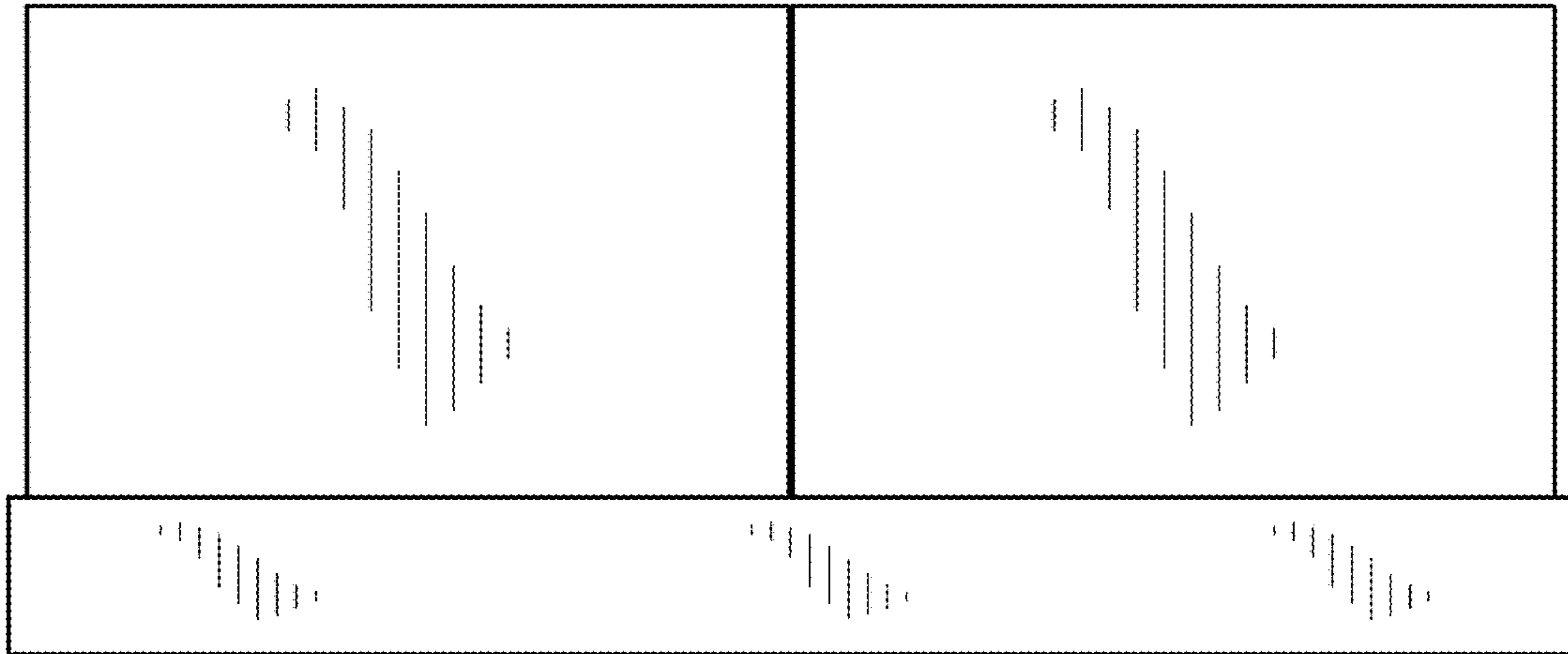


FIG. 2

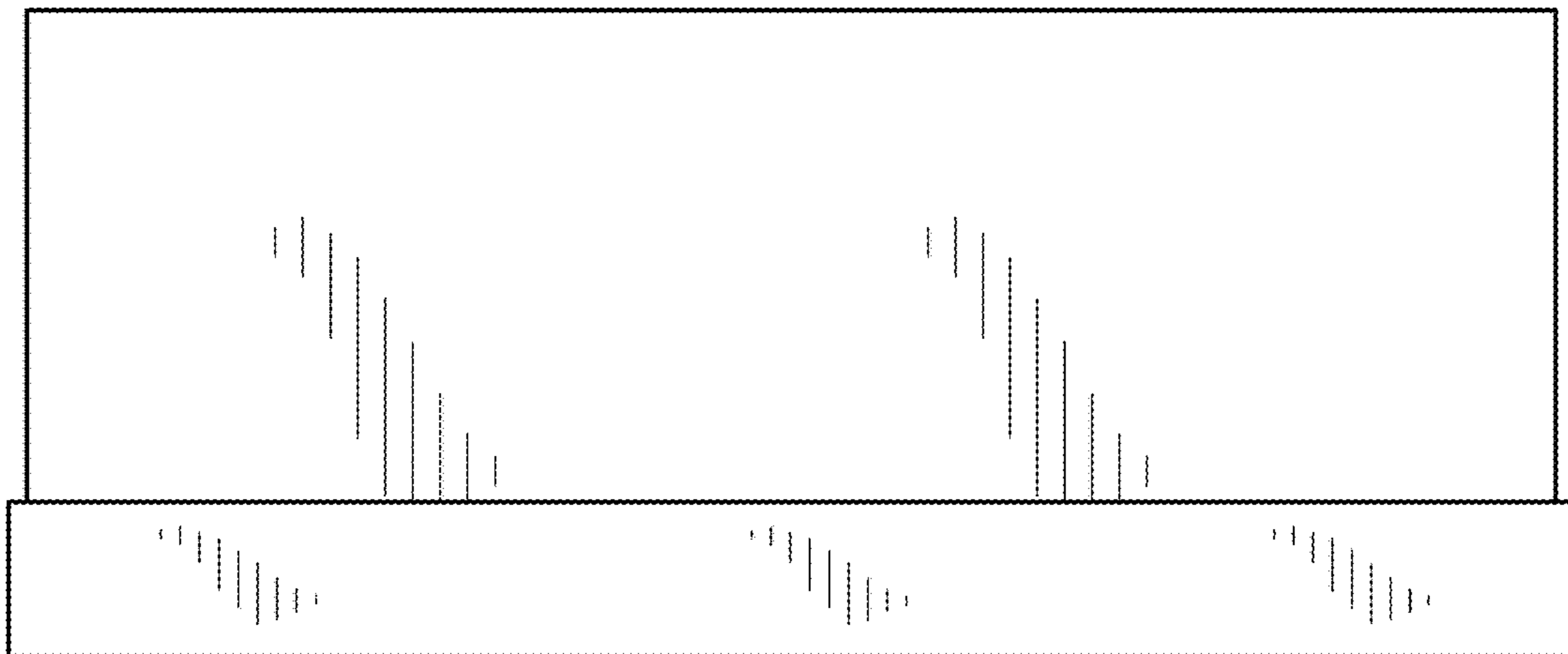


FIG. 3

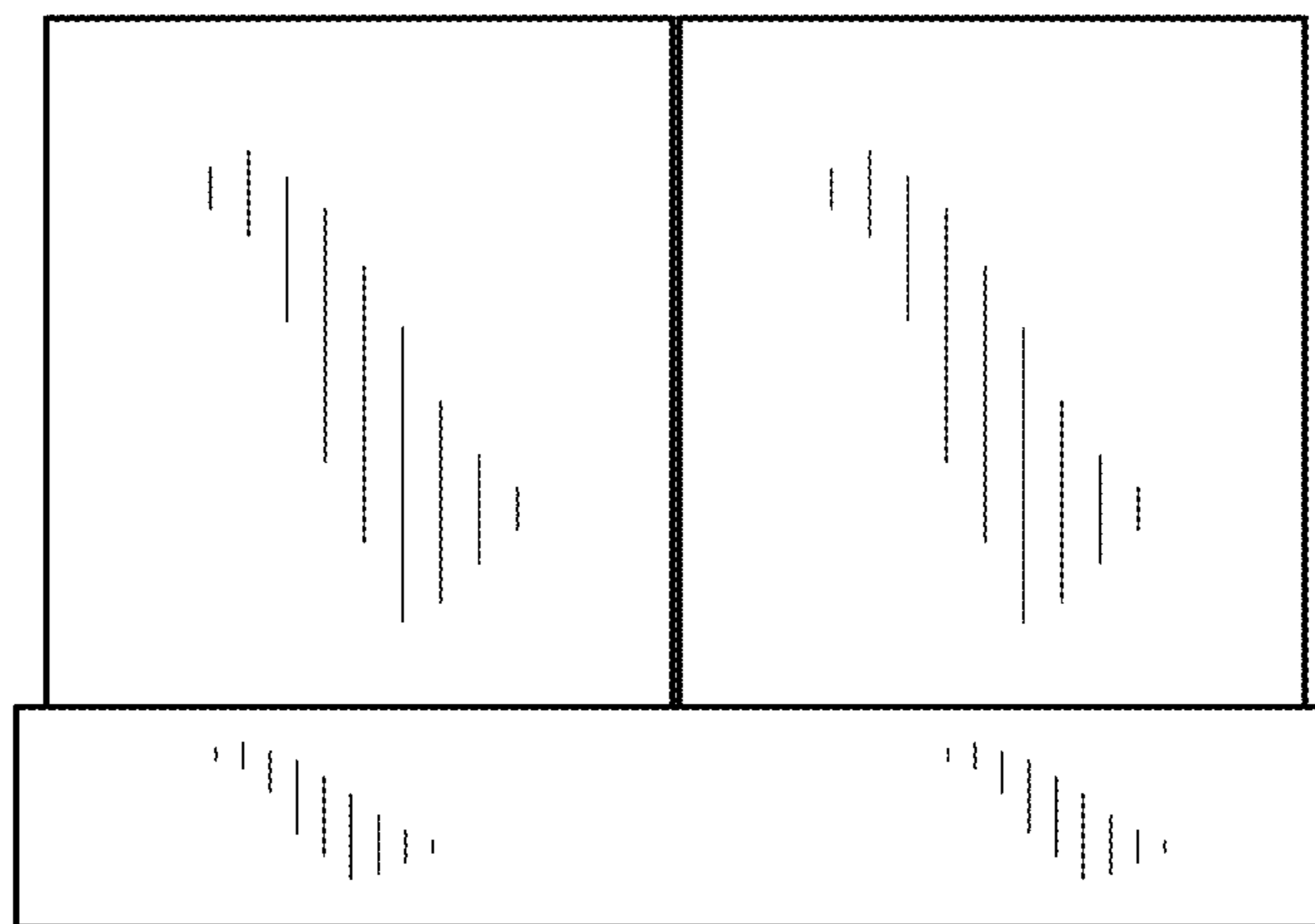


FIG. 4

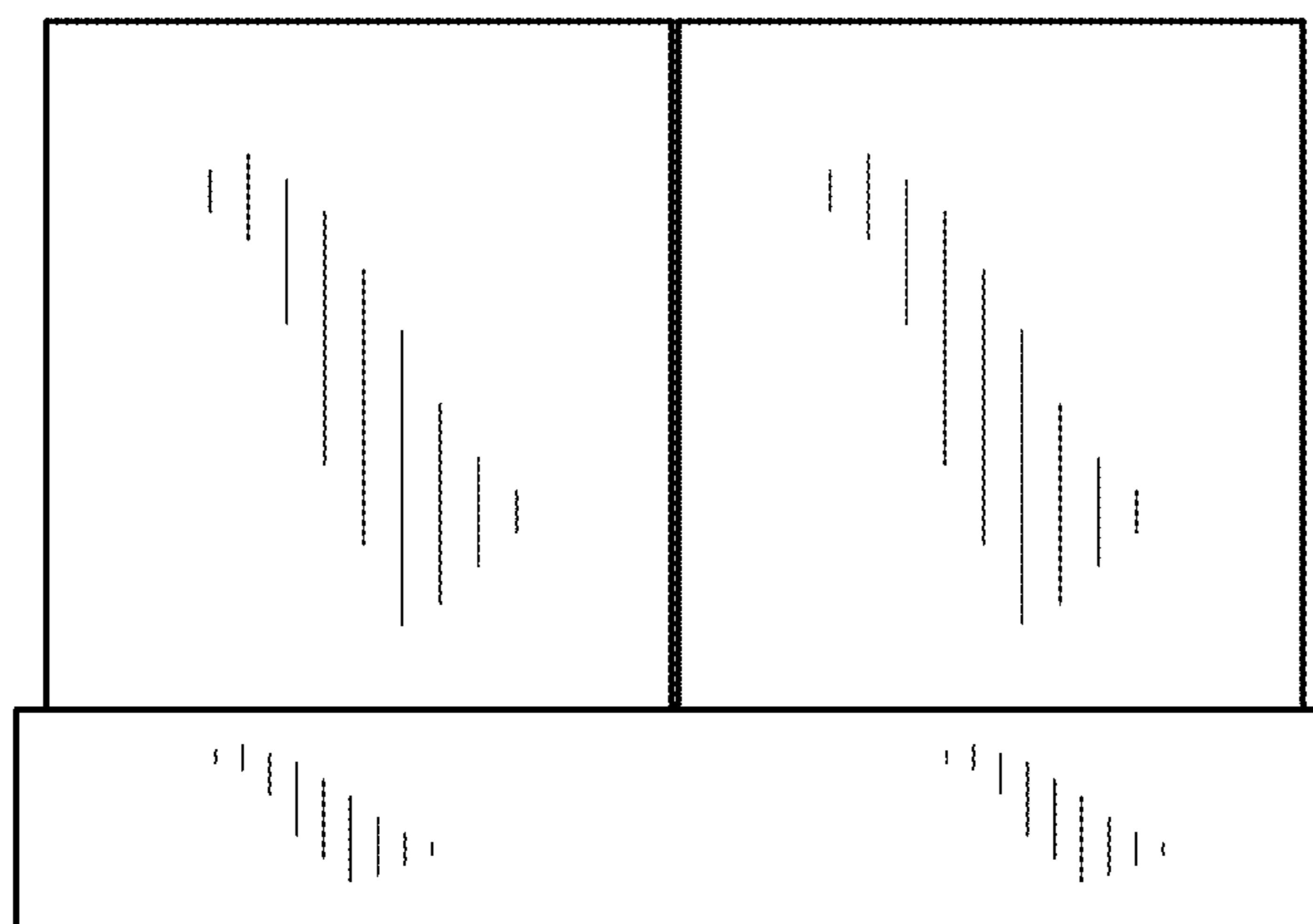


FIG. 5

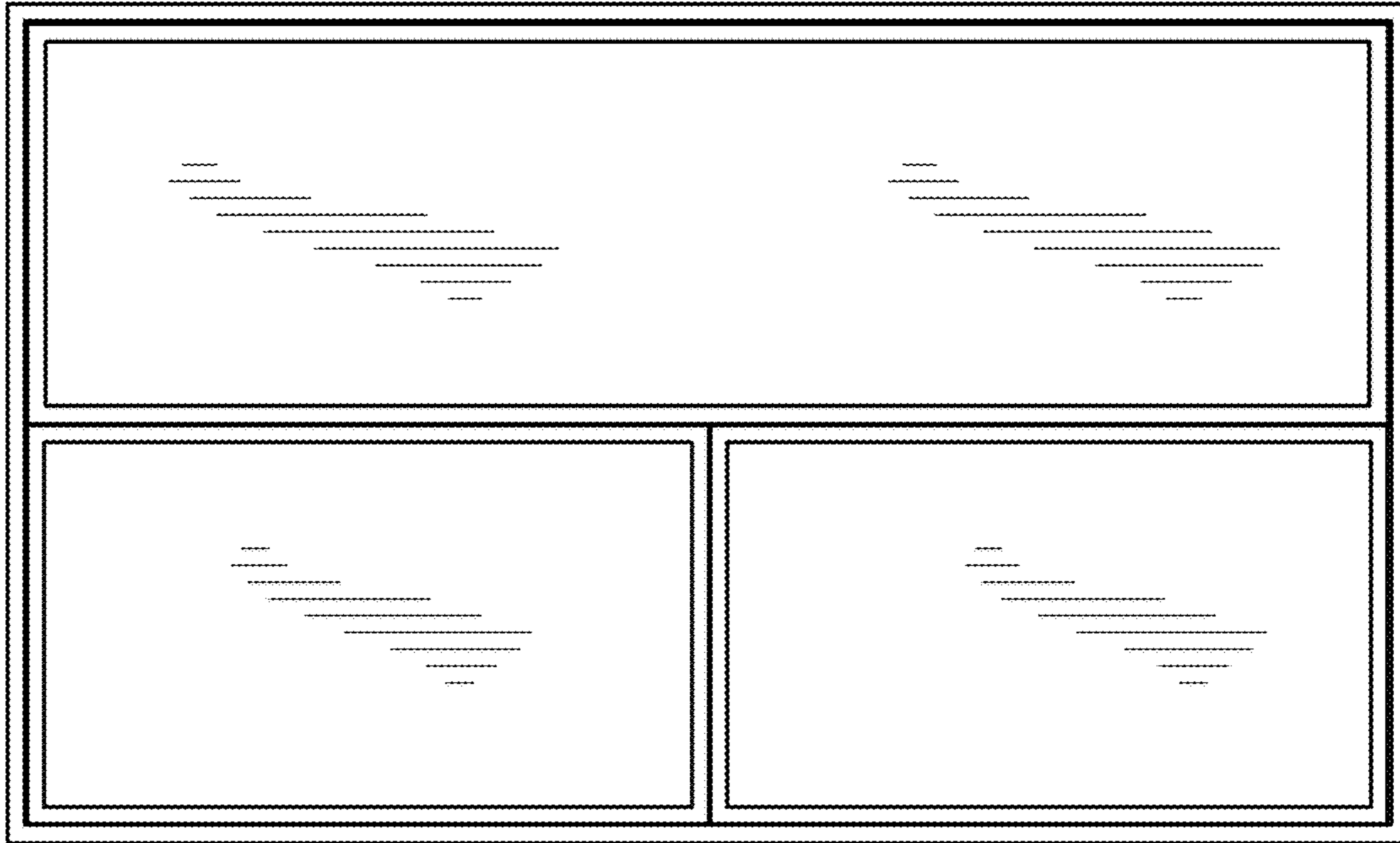


FIG. 6

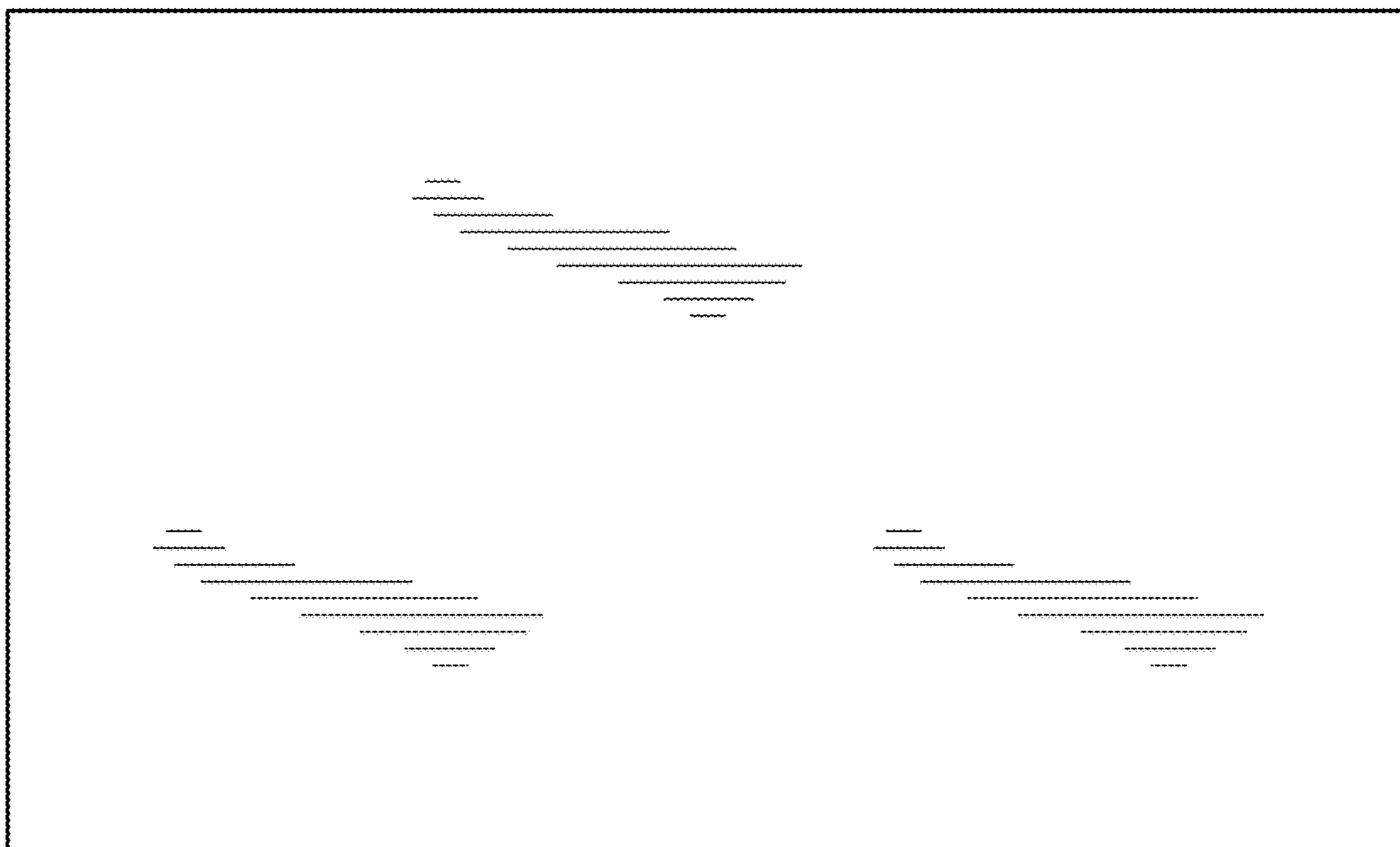


FIG. 7

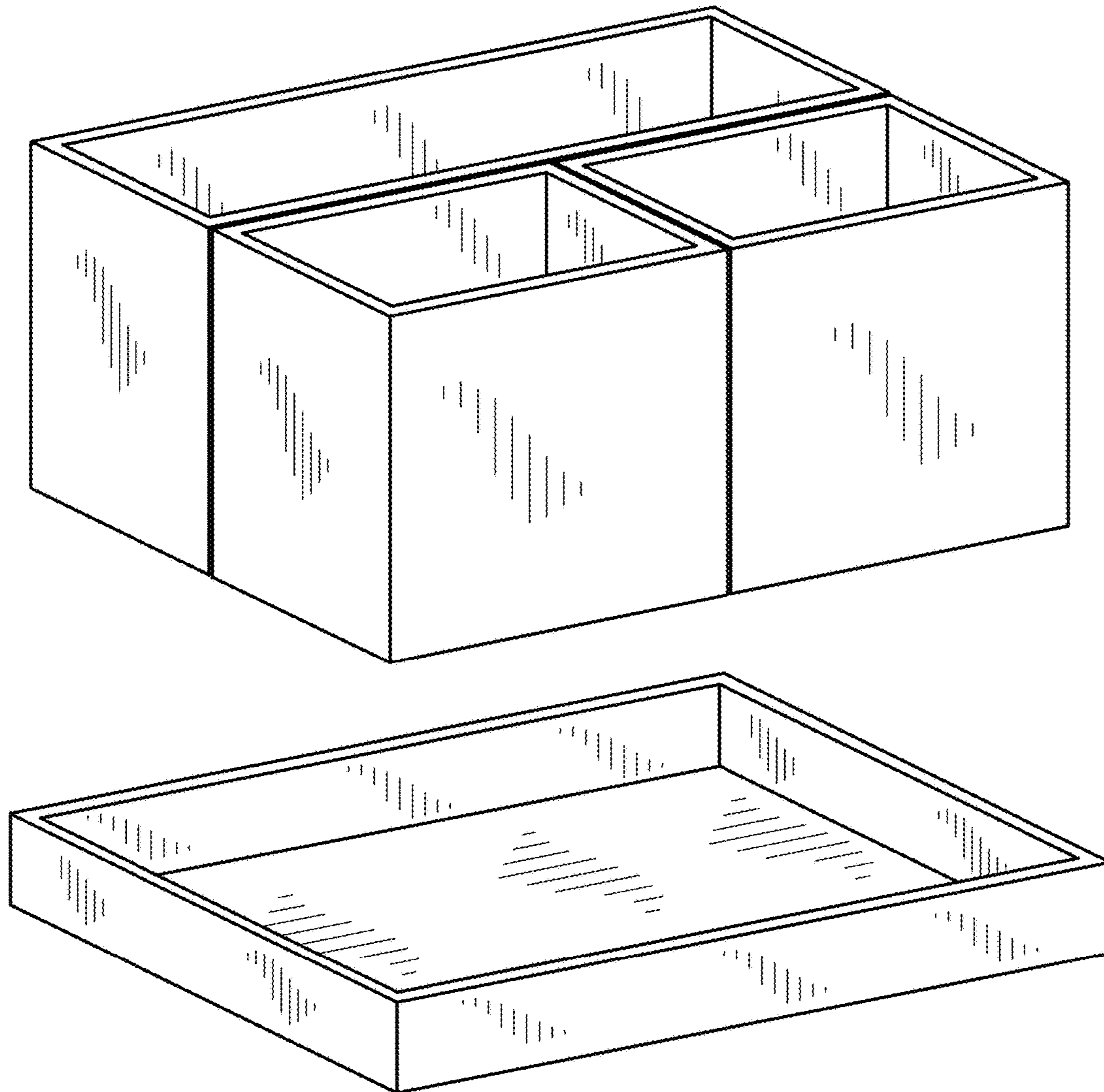


FIG. 8