



US00D779877S

(12) **United States Design Patent** (10) **Patent No.:** **US D779,877 S**
Atlaw et al. (45) **Date of Patent:** **** Feb. 28, 2017**

(54) **COOKING SUPPORT**

(71) Applicant: **Yohannes Atlaw**, Fremont, CA (US)
(72) Inventors: **Yohannes Atlaw**, Fremont, CA (US);
John Andrew Moulds, Encinitas, CA (US); **Jeffery Mullaly**, La Mesa, CA (US)

(73) Assignee: **Yohannes Atlaw**, Fremont, CA (US)

(**) Term: **15 Years**

(21) Appl. No.: **29/544,454**

(22) Filed: **Nov. 3, 2015**

Related U.S. Application Data

(63) Continuation of application No. 14/180,812, filed on Feb. 14, 2014, now Pat. No. 9,204,757.

(51) **LOC (10) Cl.** **07-02**

(52) **U.S. Cl.**
USPC **D7/409**

(58) **Field of Classification Search**
USPC D7/323, 332, 335-337, 354-355,
D7/359-364, 387-388, 402, 407-409;
D23/365

CPC A21B 2/00; A21B 3/00; A21B 3/13;
A21B 3/15; A21B 5/00; A21B
5/02; A23N 12/06; A23N 12/08; A23N
12/10; A47J 37/00; A47J 37/04; A47J
37/041; A47J 37/042; A47J 37/06; A47J
37/067; A47J 37/0688; A47J
37/0694; A47J 37/07; A47J
37/0704; A47J 37/0786; A47J
37/10; A47J 47/20; A47J 2037/00; A47J
2037/06; A47J 2037/0611; A47J
2037/07; A47J 2037/0786; A47J
2037/0795; B65D 65/44; E04G
11/54; F24C 15/10; F24C 15/12; F24C
15/14; F24C 15/16; F24C 15/164; F24C
15/18

See application file for complete search history.

(56) **References Cited**

U.S. PATENT DOCUMENTS

1,337,043 A 4/1920 Child
2,001,181 A 5/1935 Burcham
2,744,624 A * 5/1956 Hoogstoel B65D 65/44
156/208

(Continued)

FOREIGN PATENT DOCUMENTS

AU 750958 B2 8/2002
JP 2011254955 A 12/2011
RU 113126 U1 2/2012

OTHER PUBLICATIONS

PCT/US 2014/016946—International Search Report and the Written Opinion of the International Search Authority mailed Jun. 19, 2014, pp. 1-6.

(Continued)

Primary Examiner — Ricky Pham

(74) *Attorney, Agent, or Firm* — James F. Hann; Haynes Beffel & Wolfeld LLP

(57) **CLAIM**

The ornamental design for a cooking support, as shown and described.

DESCRIPTION

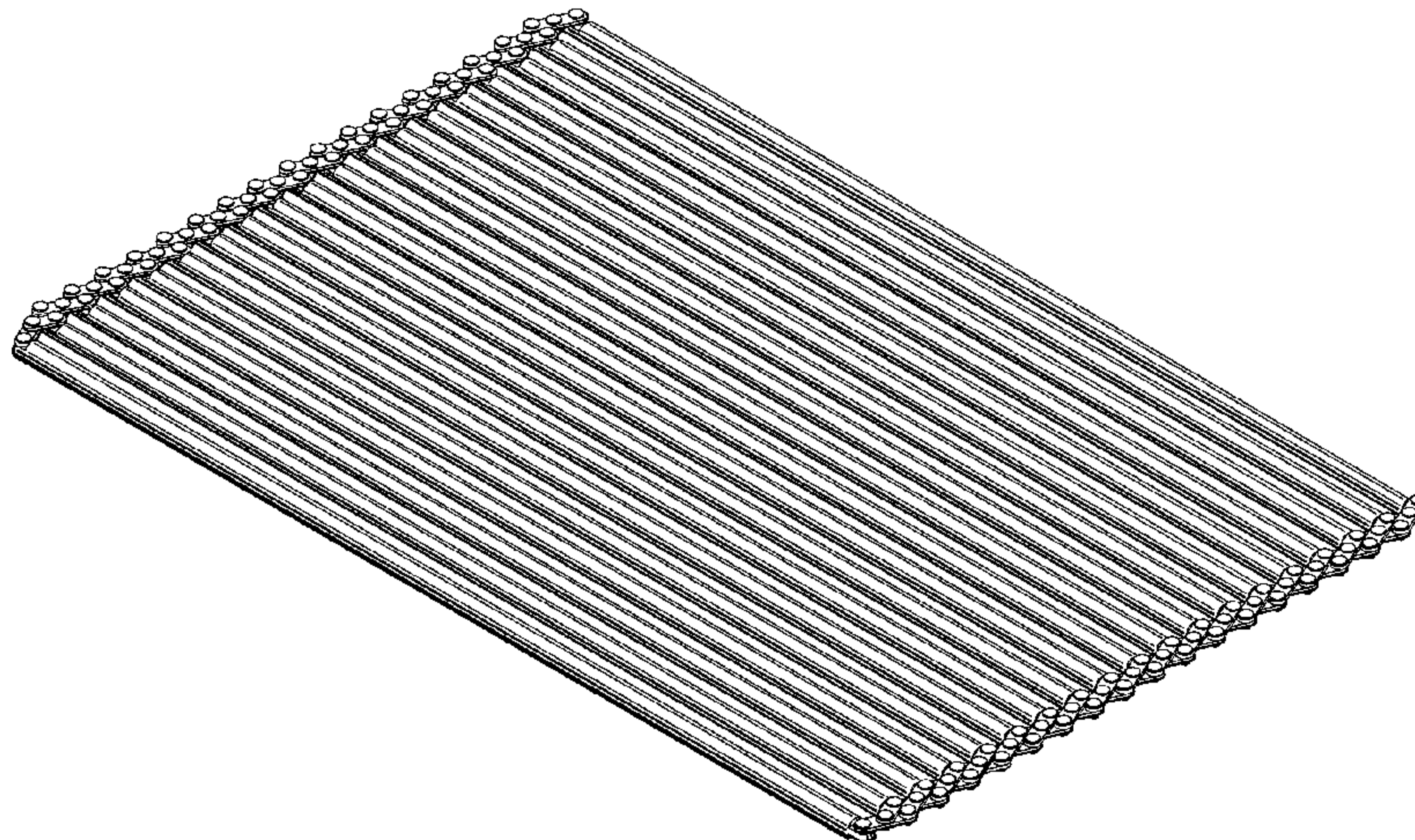
FIG. 1 is a top, front, right side view of a cooking support showing our new design, the top, rear, left side view being identical; and,

FIG. 2 is an enlarged view of a portion of the cooking support at the front, right side corner.

Features and views not shown in the drawings, including bottom views, form no part of the claimed design.

The cooking support is used as a support during cooking, such as to support food cooked on a barbecue grill.

1 Claim, 2 Drawing Sheets



(56)

References Cited

U.S. PATENT DOCUMENTS

3,149,623 A 9/1964 Orr, Jr.
 3,288,050 A 11/1966 Saiki
 3,811,376 A 5/1974 Mills
 4,553,523 A 11/1985 Stohrer, Jr.
 4,598,634 A * 7/1986 Van Horn, II A47J 37/067
 99/340
 4,703,746 A 11/1987 Hitch
 4,750,469 A 6/1988 Biggs
 4,936,202 A * 6/1990 Lin A47J 37/0786
 99/425
 5,105,725 A * 4/1992 Haglund A47J 37/0704
 126/25 R
 D340,835 S * 11/1993 Lupa D7/402
 5,355,868 A 10/1994 Haen
 5,437,221 A 8/1995 Schwod
 5,974,954 A * 11/1999 Rigney A47J 37/0786
 99/396
 6,016,741 A 1/2000 Tsai et al.
 6,314,868 B1 11/2001 Christensen et al.
 6,448,542 B2 9/2002 Wong et al.
 6,945,160 B2 9/2005 Christensen et al.
 D579,719 S * 11/2008 King D7/409

D610,405 S * 2/2010 McConnell D7/409
 D655,804 S * 3/2012 Platt D23/365
 8,276,874 B2 * 10/2012 Schwoerer E04G 11/54
 249/18
 D706,577 S * 6/2014 Funnell, II D7/354
 8,813,738 B2 * 8/2014 Ahmed A47J 37/0694
 126/152 R
 D722,821 S * 2/2015 Liu D7/409
 9,204,757 B2 12/2015 Atlaw et al.
 2004/0031477 A1 2/2004 Yeh
 2008/0287052 A1 11/2008 Cook et al.
 2009/0173332 A1 7/2009 Lott
 2010/0132689 A1 6/2010 Contarino, Jr.
 2010/0242943 A1 9/2010 Laporta et al.
 2011/0132205 A1 6/2011 Brown
 2014/0230666 A1 8/2014 Atlaw et al.

OTHER PUBLICATIONS

EP 147549190—Search Report dated Feb. 9, 2016, 4 pages.
 EP 14754919.0—Examination Report dated Mar. 18, 2016, 7 pages.
 EP 14754919.0—Response to first Examination Report dated Mar. 18, 2016 filed Sep. 28, 2016, 17 pages.

* cited by examiner

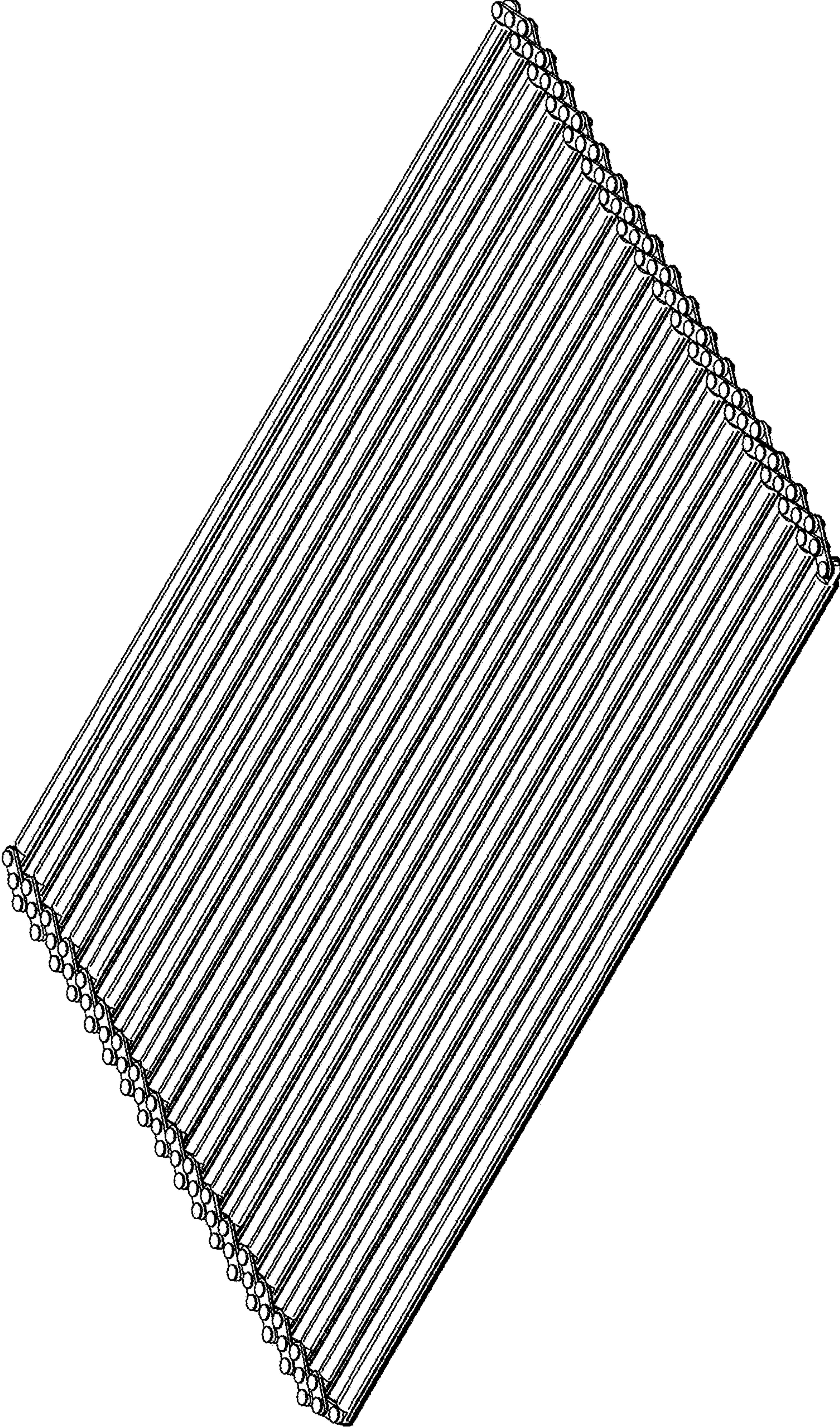


FIG. 1

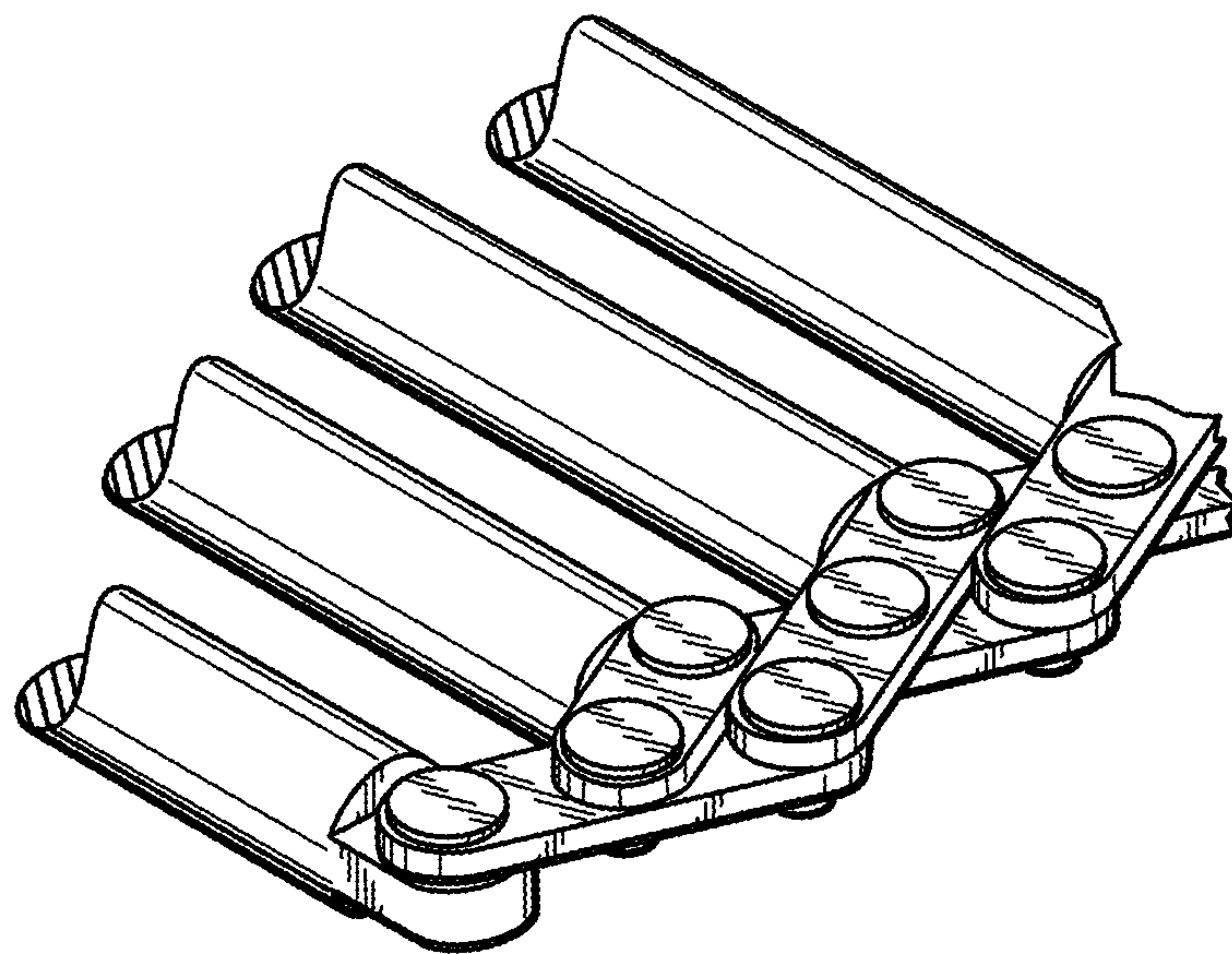


FIG. 2