



US00D779876S

(12) **United States Design Patent**  
**Chung et al.**

(10) **Patent No.:** **US D779,876 S**  
(45) **Date of Patent:** **\*\* Feb. 28, 2017**

(54) **OVEN RANGE**

(71) Applicant: **LG ELECTRONICS INC.**, Seoul (KR)

(72) Inventors: **Jae Hun Chung**, Seoul (KR); **In Hwan Ryu**, Seoul (KR); **Sang Woo Kim**, Seoul (KR)

(73) Assignee: **LG ELECTRONICS INC.**, Seoul (KR)

(\*\*) Term: **14 Years**

(21) Appl. No.: **29/525,196**

(22) Filed: **Apr. 28, 2015**

(30) **Foreign Application Priority Data**

Nov. 13, 2014 (KR) ..... 30-2014-0054713

(51) **LOC (10) Cl.** ..... **07-02**

(52) **U.S. Cl.**  
USPC ..... **D7/405**

(58) **Field of Classification Search**  
USPC ..... D7/402, 403-408, 351, 350.4, D7/350.1-350.3, 323, 339-340, 346-349, D7/394  
CPC .... H05B 6/763; H05B 6/6414; H05B 6/6408; Y02B 40/14; Y02B 40/143; Y02B 40/146; F24C 15/02; F24C 1/00; F24C 14/00; F24C 3/00; F24C 5/00; F24C 7/00  
See application file for complete search history.

(56) **References Cited**

**U.S. PATENT DOCUMENTS**

D295,356 S \* 4/1988 Nambu ..... D7/351  
D352,866 S \* 11/1994 Kindley ..... D7/351  
D535,141 S \* 1/2007 Lee ..... D7/351  
D535,516 S \* 1/2007 Lee ..... D7/351  
D603,210 S \* 11/2009 Davis ..... D7/350.1

D646,111 S \* 10/2011 Kim ..... D7/348  
D651,034 S \* 12/2011 Eades ..... D7/323  
D651,036 S \* 12/2011 Kim ..... D7/349  
D653,071 S \* 1/2012 Kim ..... D7/349

(Continued)

**OTHER PUBLICATIONS**

Whirlpool Countertop Microwave, review by—pat, Buzzillions [online], published Nov. 16, 2011, [retrieved on Mar. 8, 2016]. Retrieved from the Internet <URL: <http://www.buzzillions.com/reviews/whirlpool-0-5-cu-ft-countertop-microwave-add-30-seconds-option-reviews#readReviews>>.\*

*Primary Examiner* — Sheryl Lane  
*Assistant Examiner* — Nicole Shiflet

(74) *Attorney, Agent, or Firm* — Birch, Stewart, Kolasch & Birch, LLP

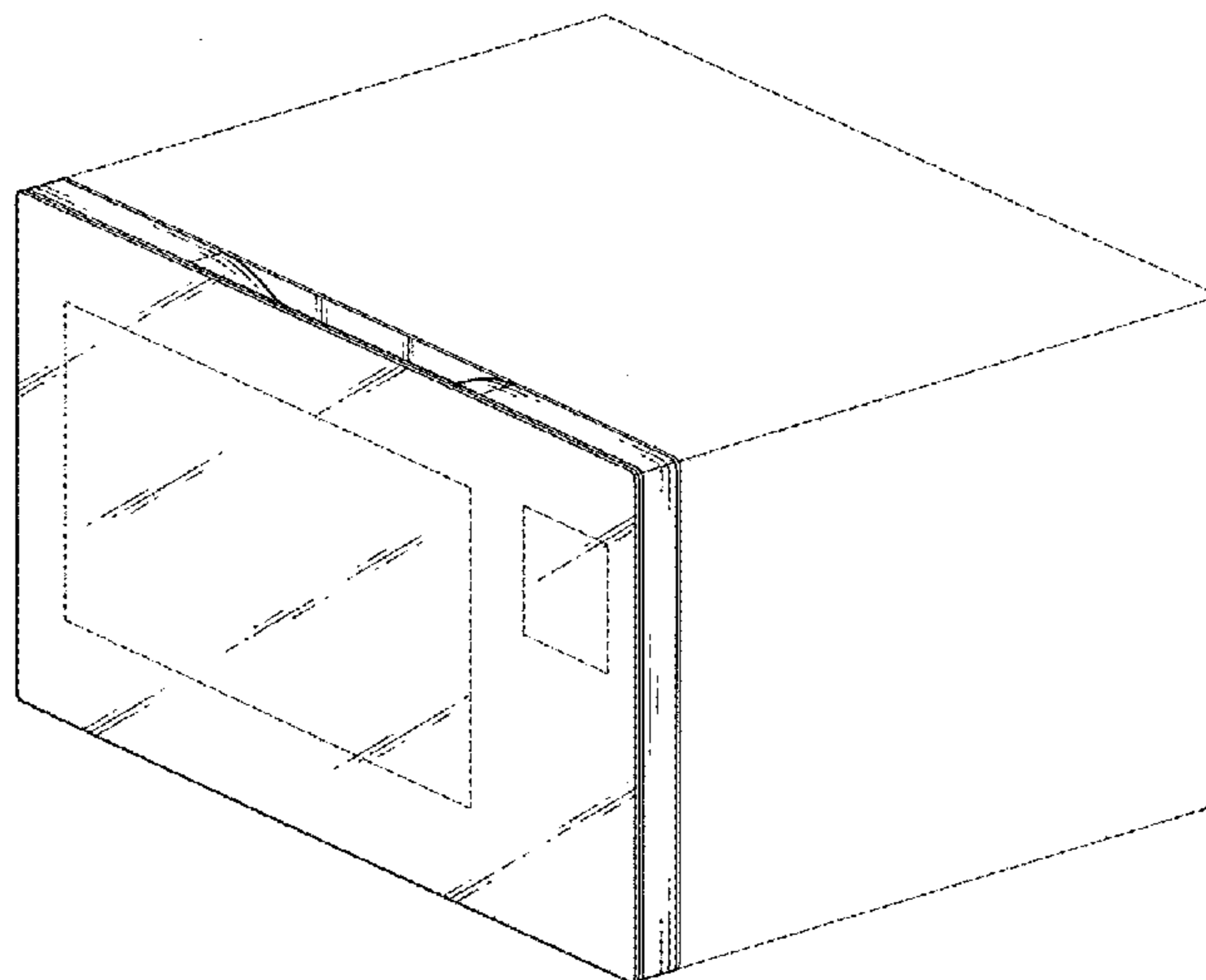
(57) **CLAIM**

We claim the ornamental design for an oven range, as shown and described.

**DESCRIPTION**

FIG. 1 is a perspective view of an oven range showing our new design;  
FIG. 2 is a front elevation view thereof;  
FIG. 3 is a rear elevation view thereof;  
FIG. 4 is a left-side elevation view thereof;  
FIG. 5 is a right-side elevation view thereof;  
FIG. 6 is a top plan view thereof;  
FIG. 7 is a bottom plan view thereof; and,  
FIG. 8 is a perspective view of an oven range, showing a second embodiment of our new design.  
The broken lines in the drawing figures are included for the purpose of illustrating environment and form no part of the claimed design. FIG. 8 is the only view showing the second embodiment. Therefore, the second embodiment includes only what is shown in FIG. 8.

**1 Claim, 5 Drawing Sheets**



(56)

**References Cited**

U.S. PATENT DOCUMENTS

D708,469 S \* 7/2014 Kim ..... D7/351  
9,220,362 B2 \* 12/2015 Eades ..... A47J 27/004

\* cited by examiner

FIG. 1

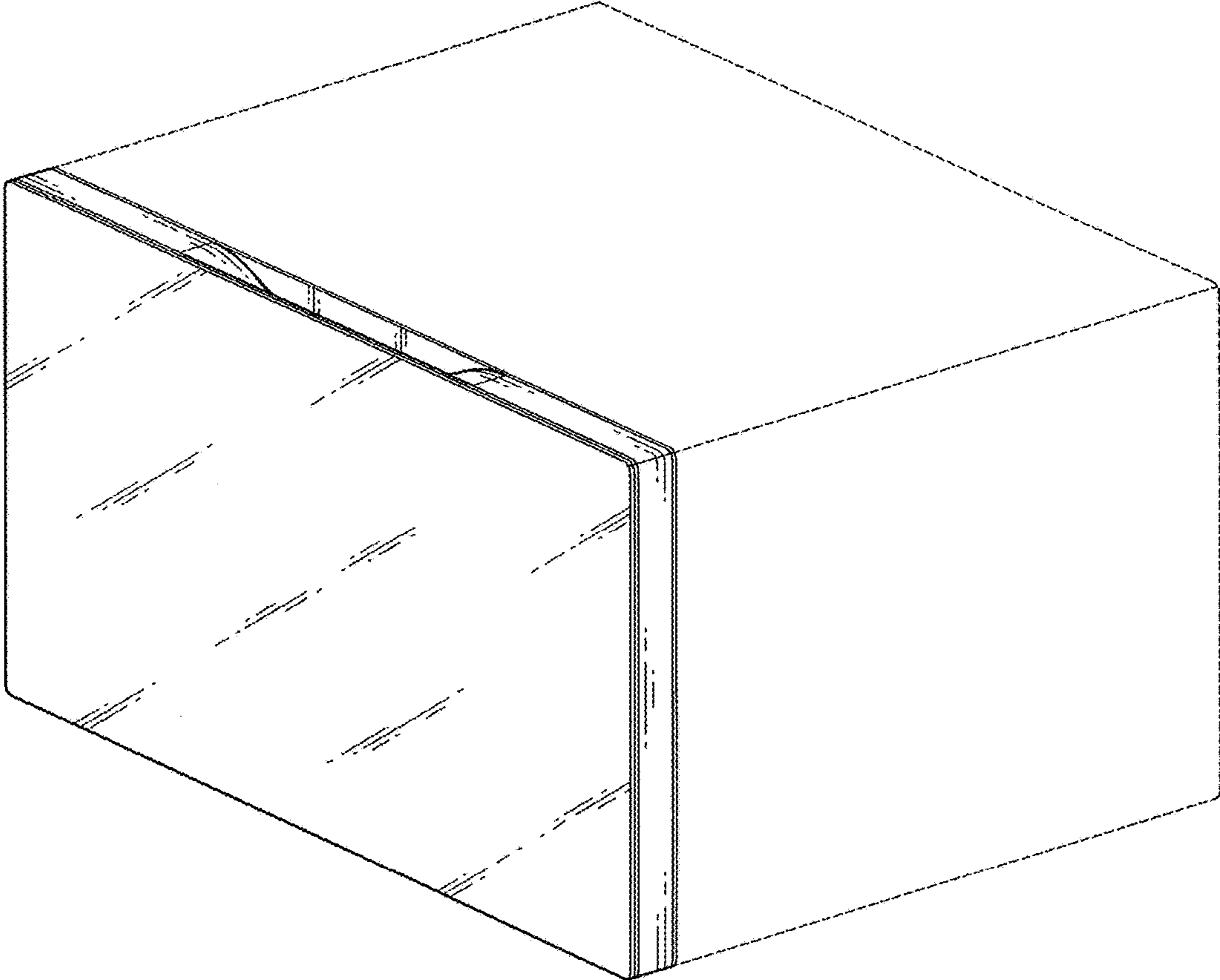


FIG. 2

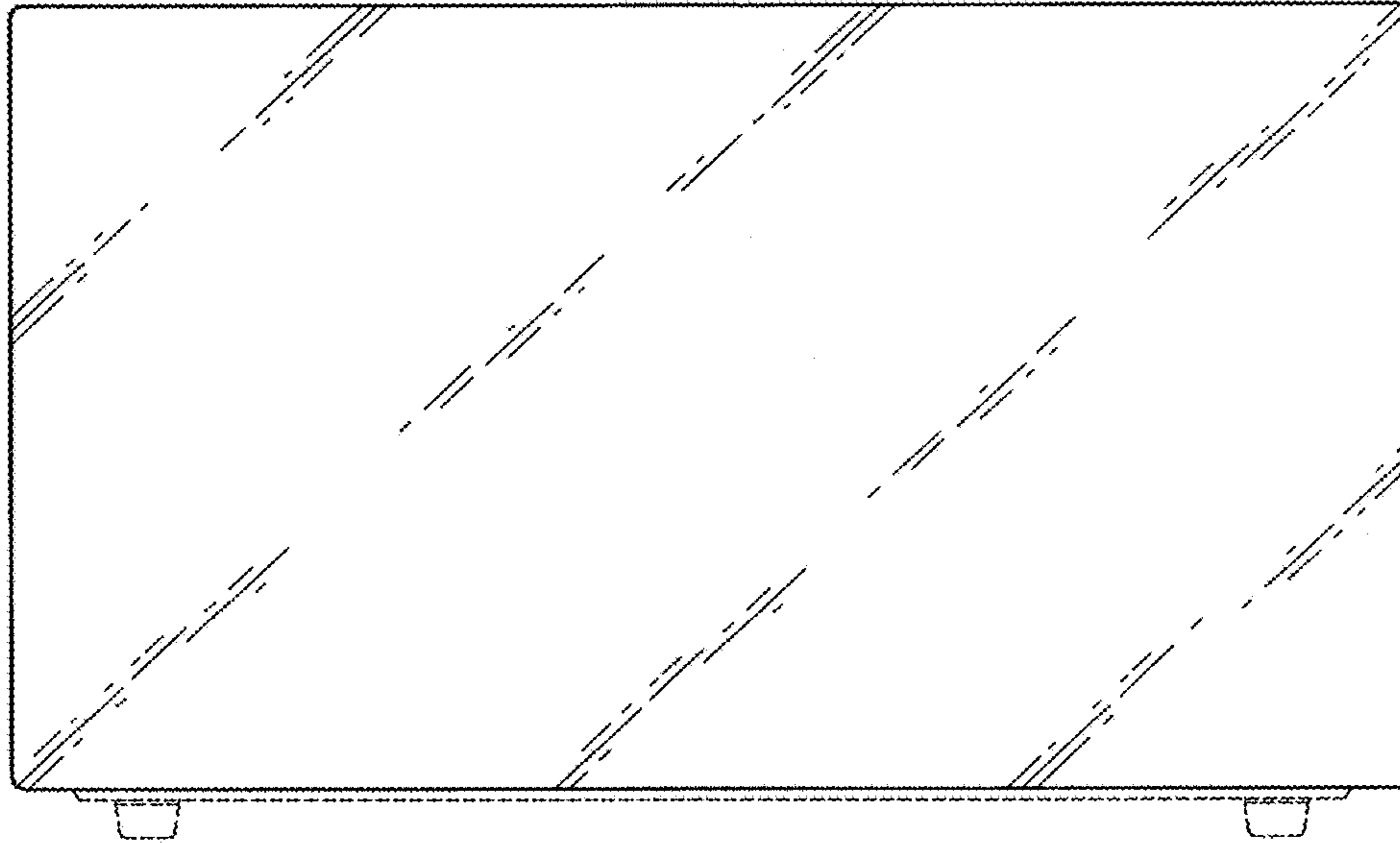


FIG. 3

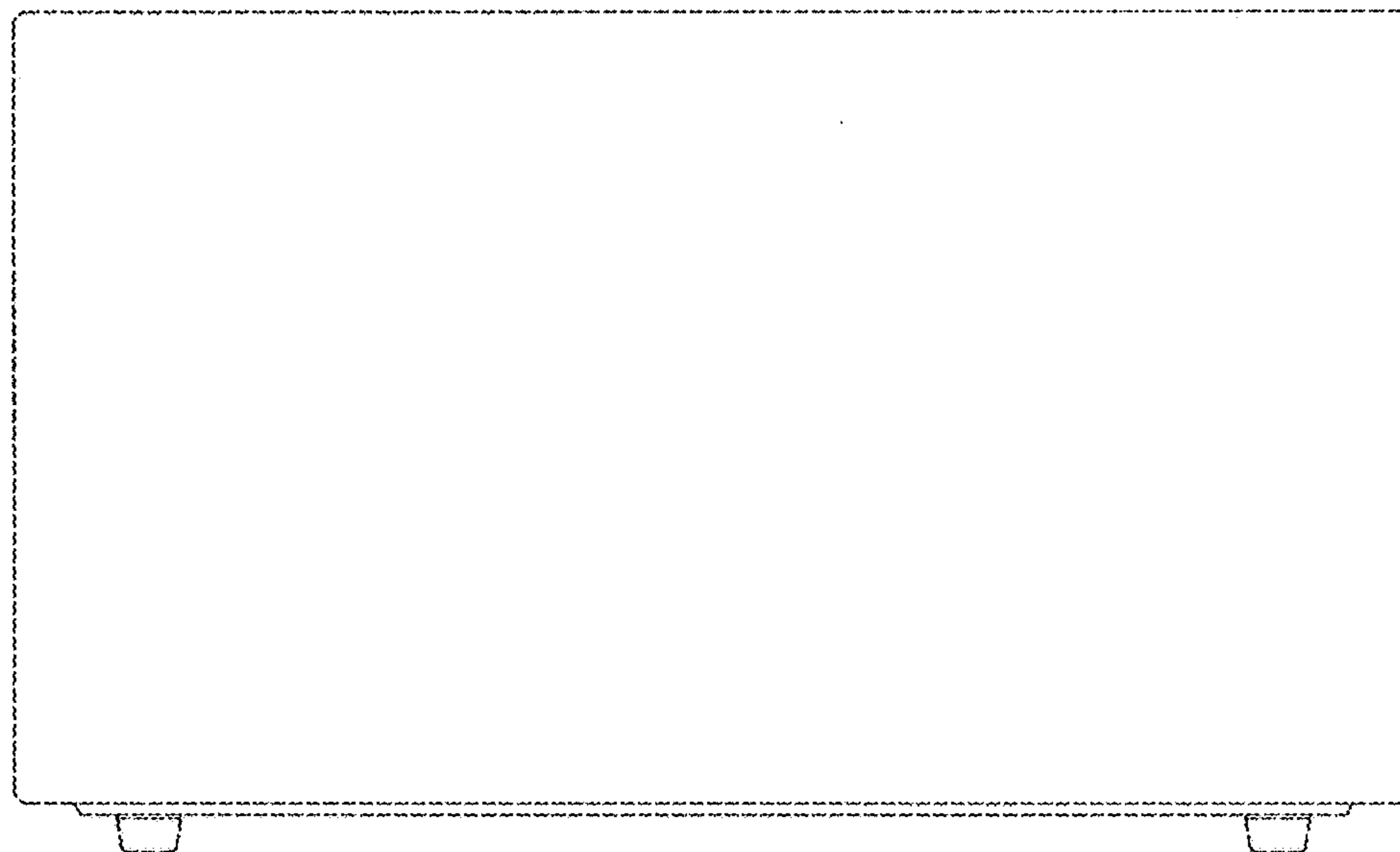


FIG. 4

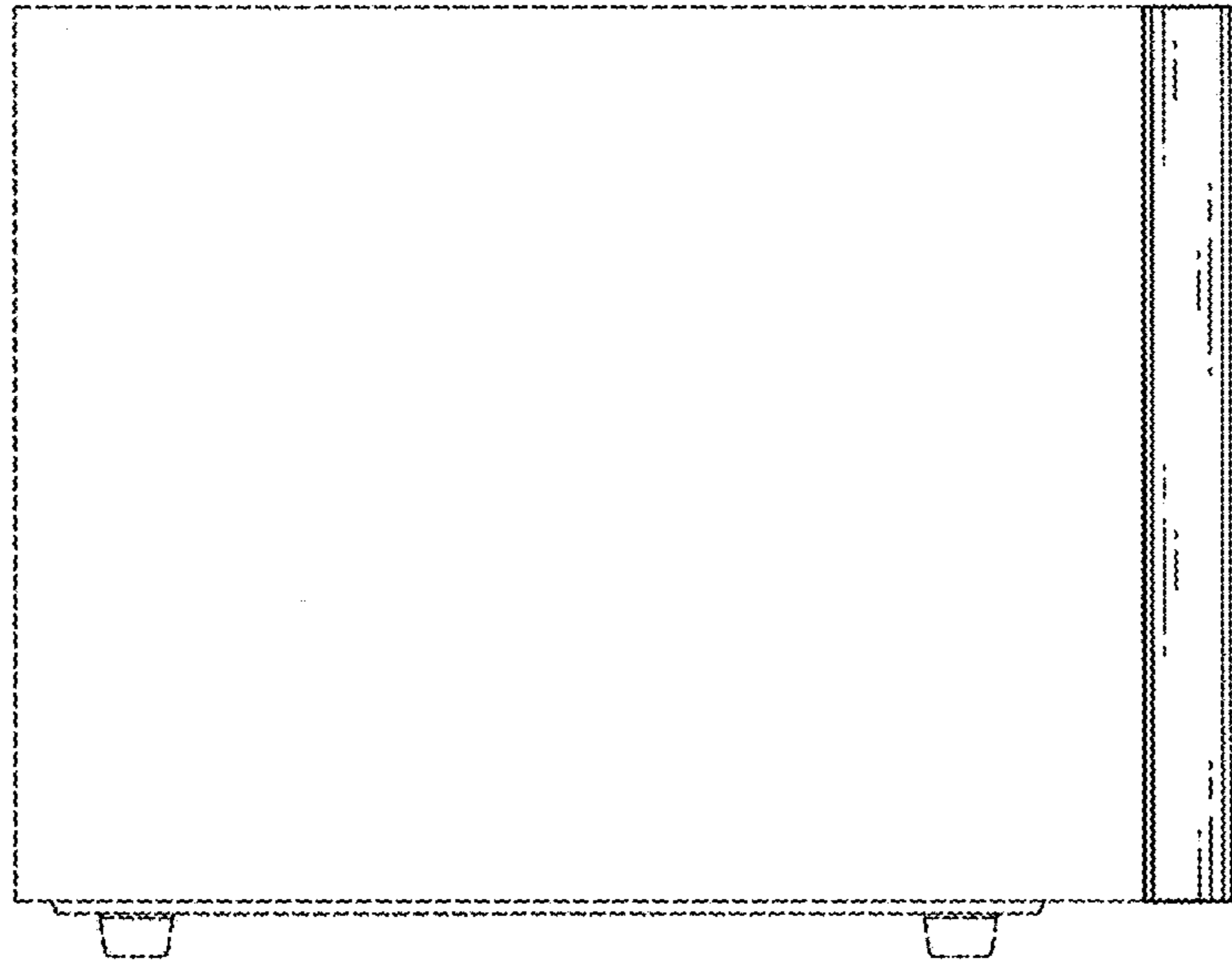


FIG. 5

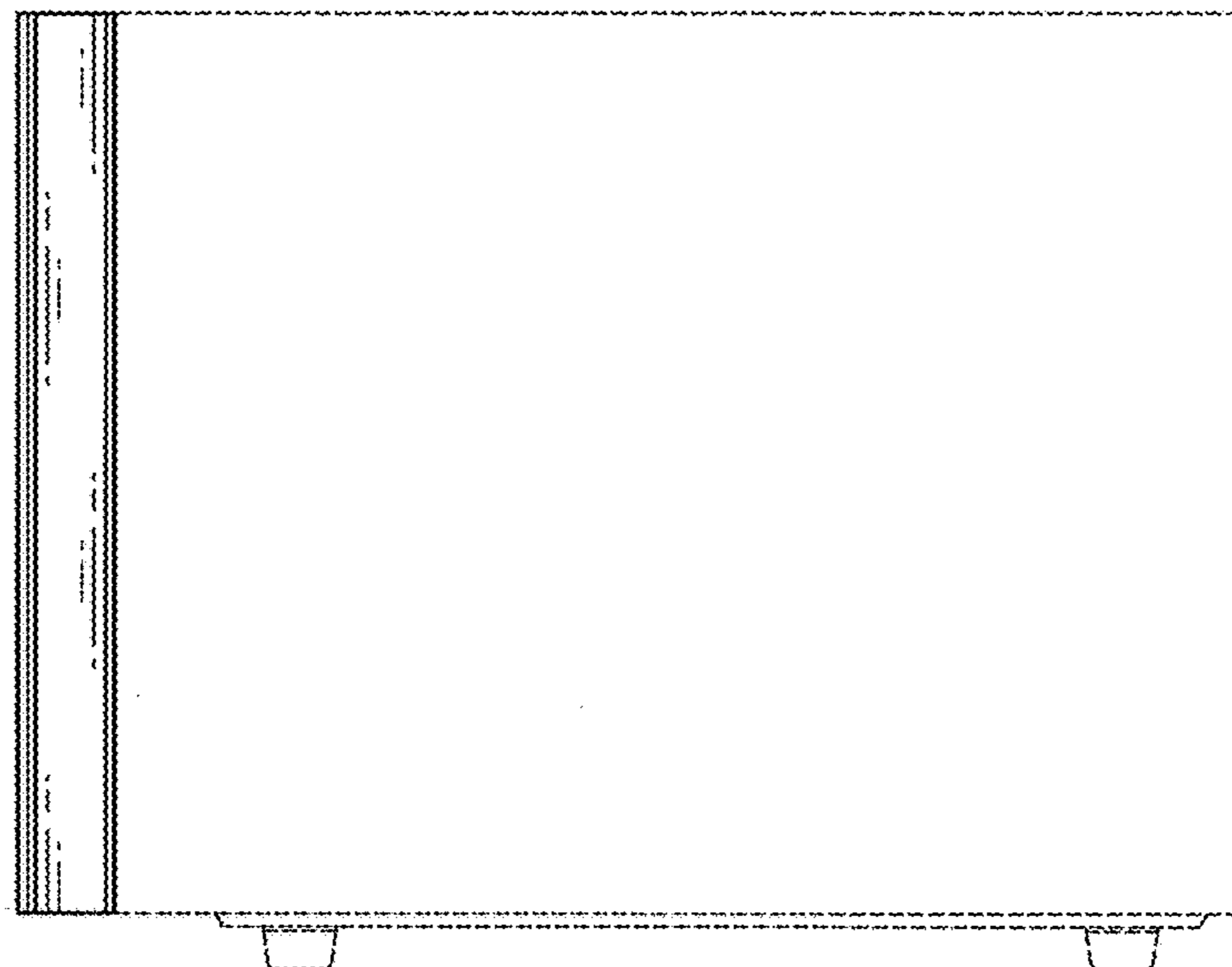


FIG. 6

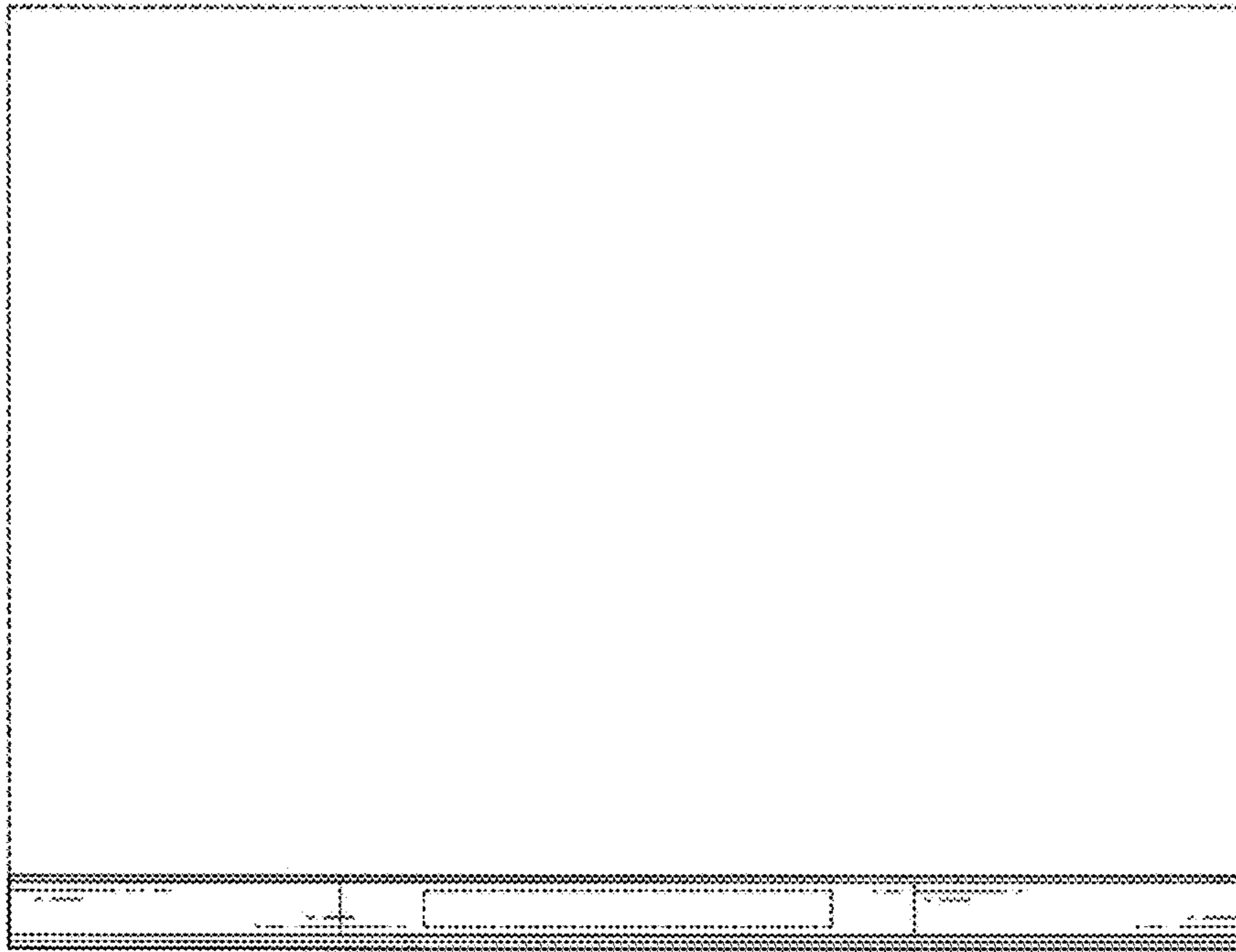


FIG. 7

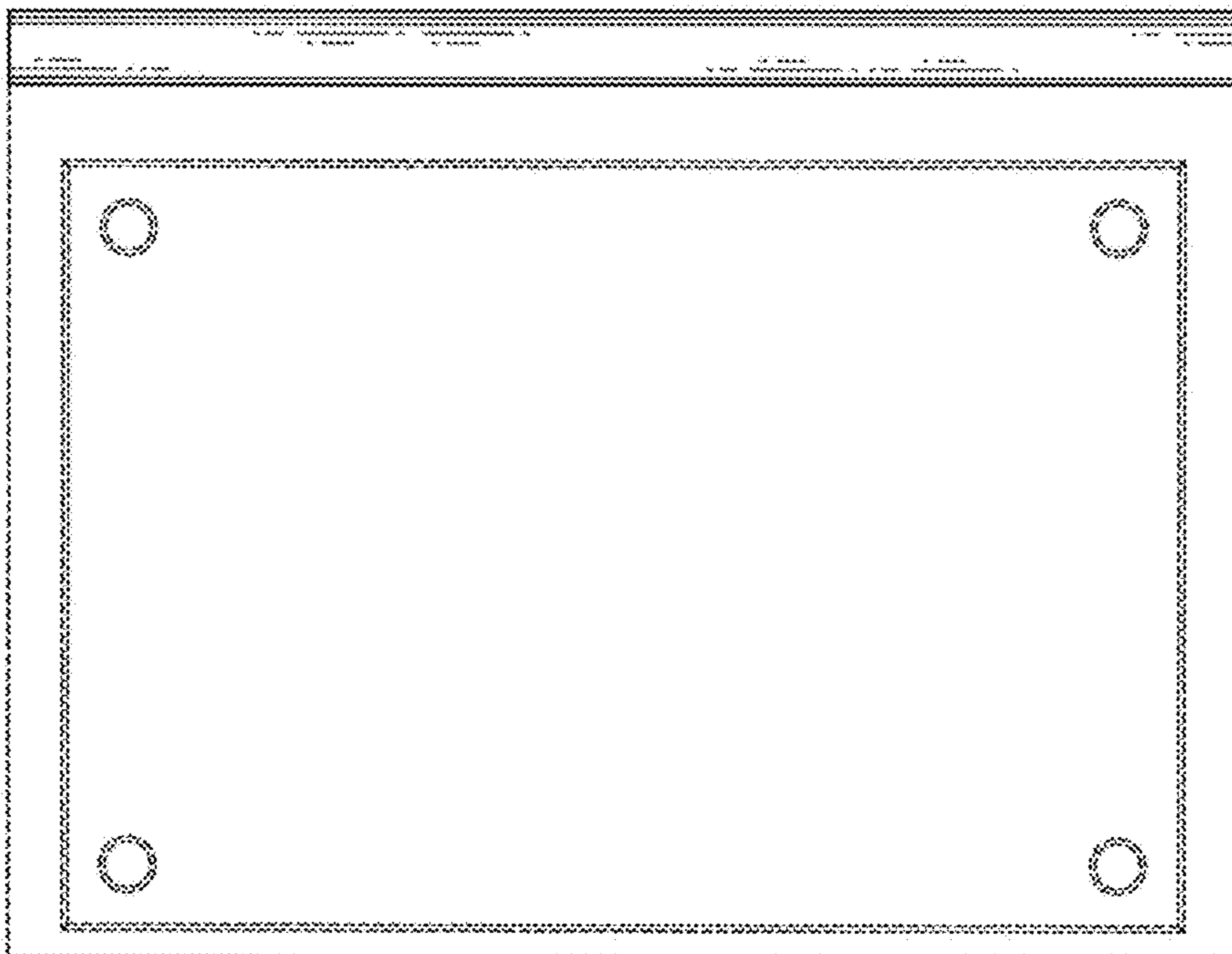


FIG.8

