



US00D779875S

(12) **United States Design Patent** (10) **Patent No.:** **US D779,875 S**
Gross et al. (45) **Date of Patent:** **** Feb. 28, 2017**

- (54) **COLD BREW FILTER BASKET**
- (71) Applicant: **Eternal East (HK) Ltd.**, Hong Kong (CN)
- (72) Inventors: **Charles Brian Gross**, Greeley, CO (US); **Derek Tyler Berthold**, Noblesville, IN (US)
- (73) Assignee: **ETERNAL EAST (HK) LTD.**, Hong Kong (CN)
- (**) Term: **15 Years**
- (21) Appl. No.: **29/536,453**
- (22) Filed: **Aug. 17, 2015**
- (51) **LOC (10) Cl.** **07-99**
- (52) **U.S. Cl.**
USPC **D7/400; D7/397**
- (58) **Field of Classification Search**
USPC .. D7/399, 400, 667, 700, 515, 397, D7/506, D7/507, 668; D9/607, 429; D23/209; 99/322, 99/295
CPC .. B65D 25/24; B65D 85/8046; A47J 31/0636; A47J 27/16; A47G 19/00; A47G 21/04; A47G 19/16
See application file for complete search history.

- 6,354,449 B1 * 3/2002 Smith A61J 11/04 215/11.1
- D628,883 S 12/2010 Stephens
- 8,221,813 B2 * 7/2012 Boul A47J 31/08 210/455
- D689,768 S 9/2013 Inderbitzin
- D694,579 S * 12/2013 Khubani D7/400
- D695,066 S * 12/2013 Nakajima D23/261
- D707,489 S * 6/2014 Hertaus D7/397
- D708,057 S 7/2014 Hansen
- 8,906,440 B2 12/2014 Otto
- D724,906 S * 3/2015 Kent D7/700
- D730,111 S * 5/2015 Beller D7/387
- D750,449 S * 3/2016 Kostler D7/667
- D757,537 S 5/2016 Trombetta
- D762,470 S 8/2016 Cassens et al.
- D764,865 S * 8/2016 Hertaus D7/400
- D771,434 S * 11/2016 Burrows D7/399
- 2013/0340626 A1 12/2013 Oh
- 2014/0318380 A1 10/2014 Doglioni Majer

(Continued)

Primary Examiner — Marianne Pandozzi
(74) *Attorney, Agent, or Firm* — Polson Intellectual Property Law, PC; Margaret Polson

(57) **CLAIM**

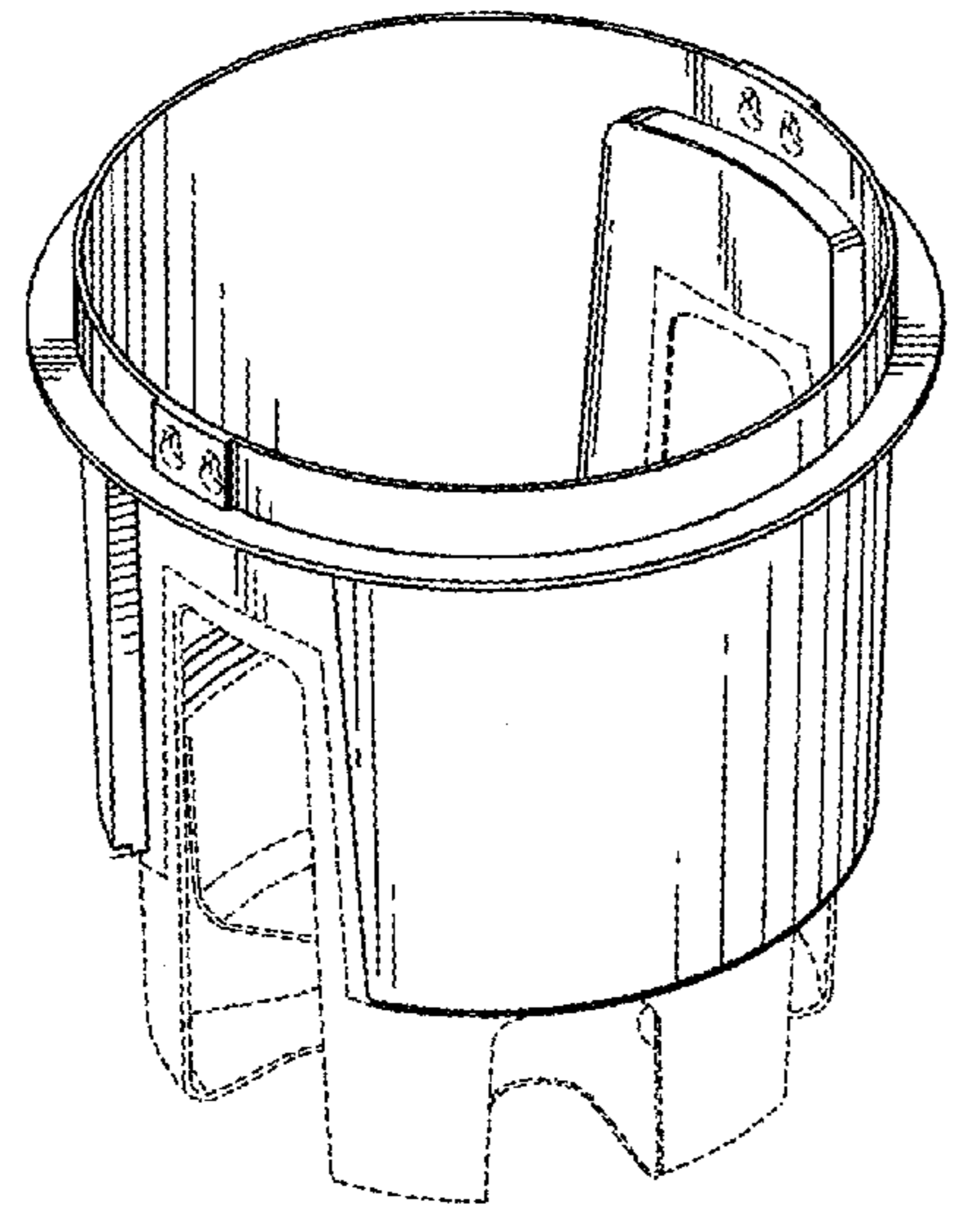
The ornamental design for a cold brew filter basket, as shown and described.

DESCRIPTION

FIG. 1 is a perspective view of a cold brew filter basket showing our new design;
FIG. 2 is a front view of FIG. 1, the rear view being a mirror image thereof;
FIG. 3 is a left side view of FIG. 1, the right side view being a mirror image thereof;
FIG. 4 is a top plan view of FIG. 1; and,
FIG. 5 is a bottom plan view of FIG. 1.
The broken lines in the drawing depict portions of the cold brew filter basket that form no part of the claimed design.

1 Claim, 3 Drawing Sheets

- (56) **References Cited**
U.S. PATENT DOCUMENTS
- 1,368,640 A * 2/1921 Melchior B67C 11/02 141/340
- D239,906 S * 5/1976 Hauenstein D7/391
- 4,963,262 A 10/1990 Johnstone
- D332,891 S 2/1993 Cumberland
- D334,874 S * 4/1993 Mealey D7/388
- D340,382 S 10/1993 Bannigan
- 5,791,503 A * 8/1998 Lyons A61J 9/00 215/11.1



(56)

References Cited

U.S. PATENT DOCUMENTS

2015/0359377 A1 12/2015 Graham
2015/0368033 A1 12/2015 Krug et al.
2016/0016727 A1 1/2016 Katz

* cited by examiner

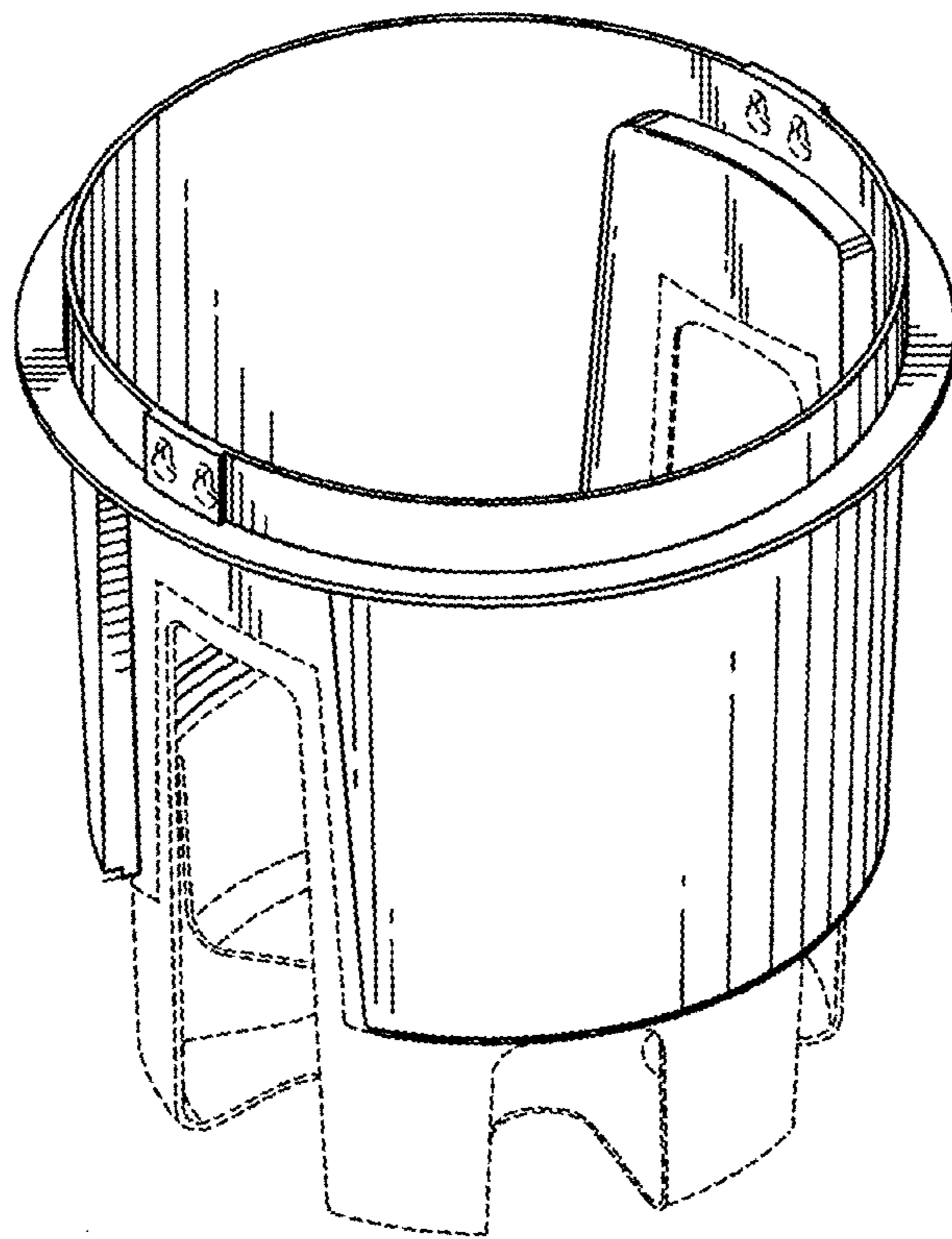


FIG. 1

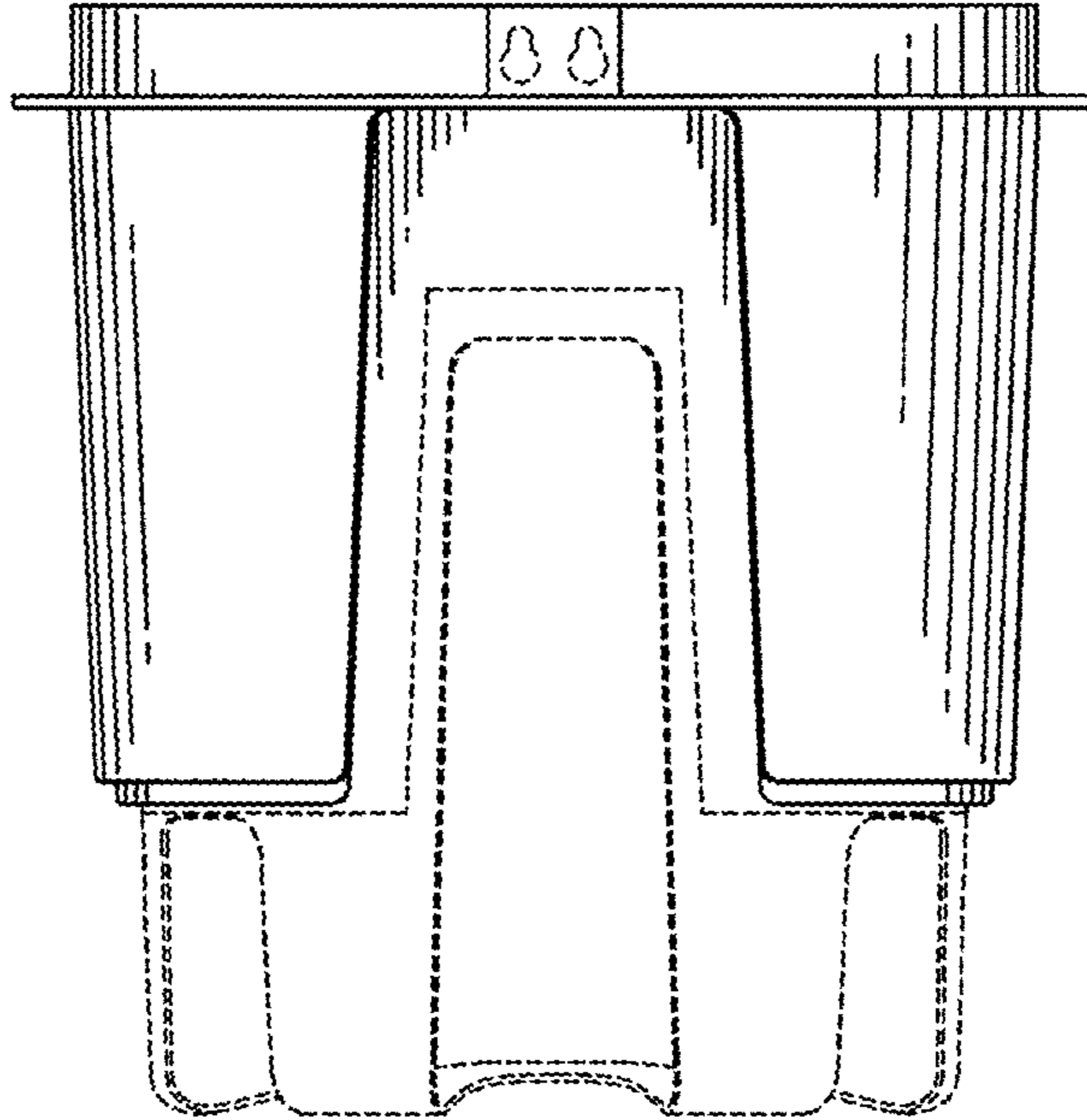


FIG. 2

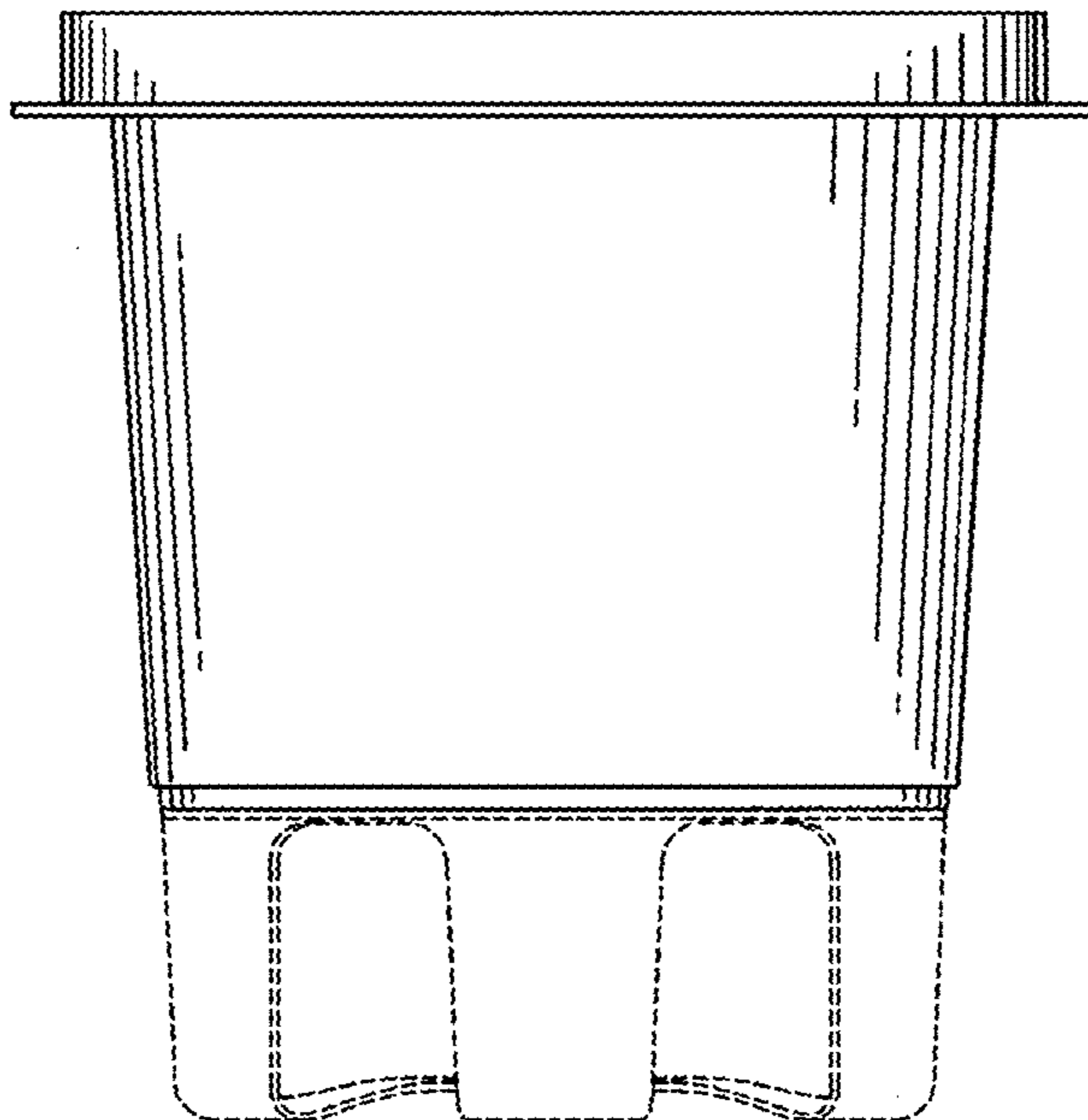


FIG. 3

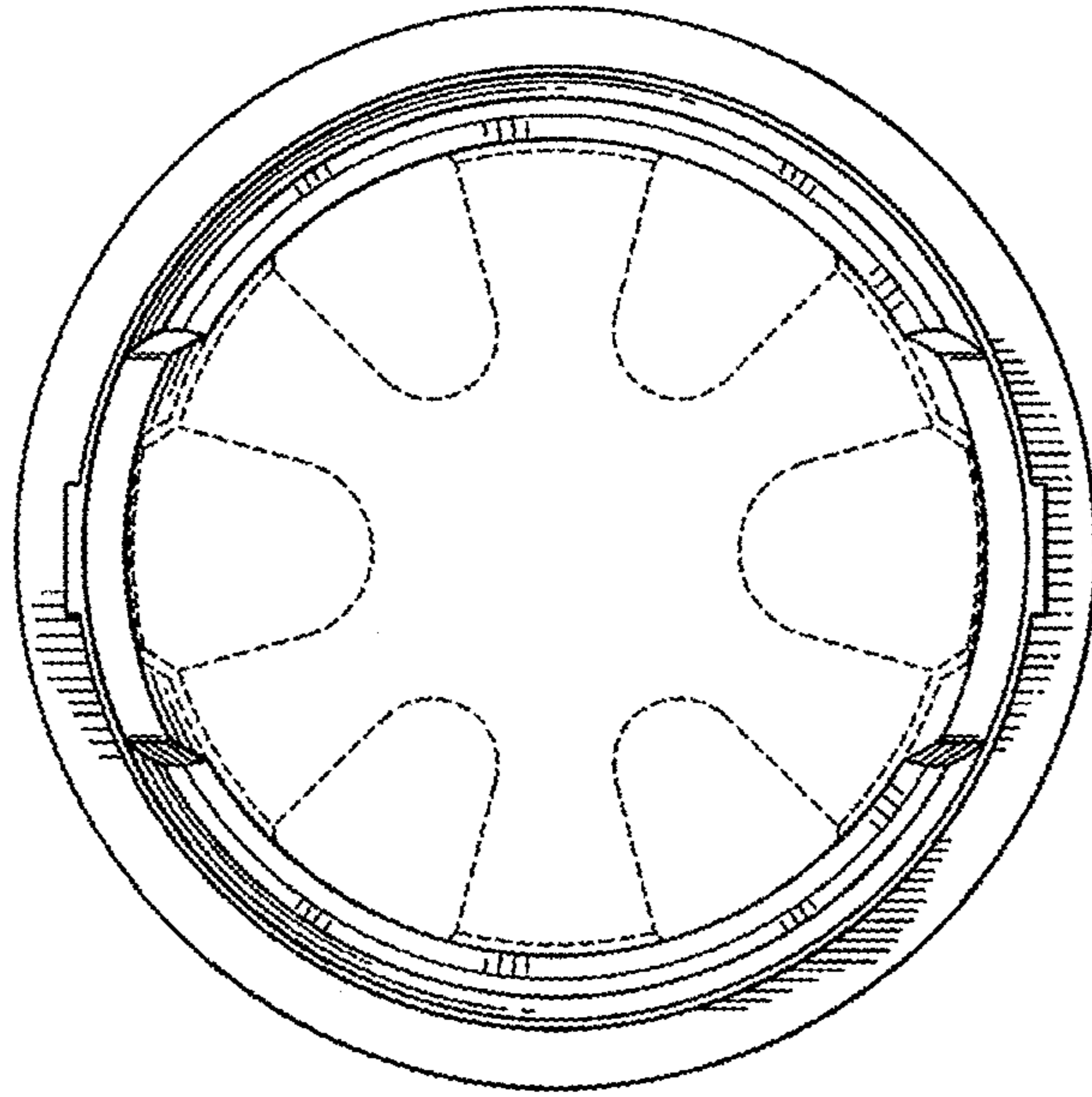


FIG.4

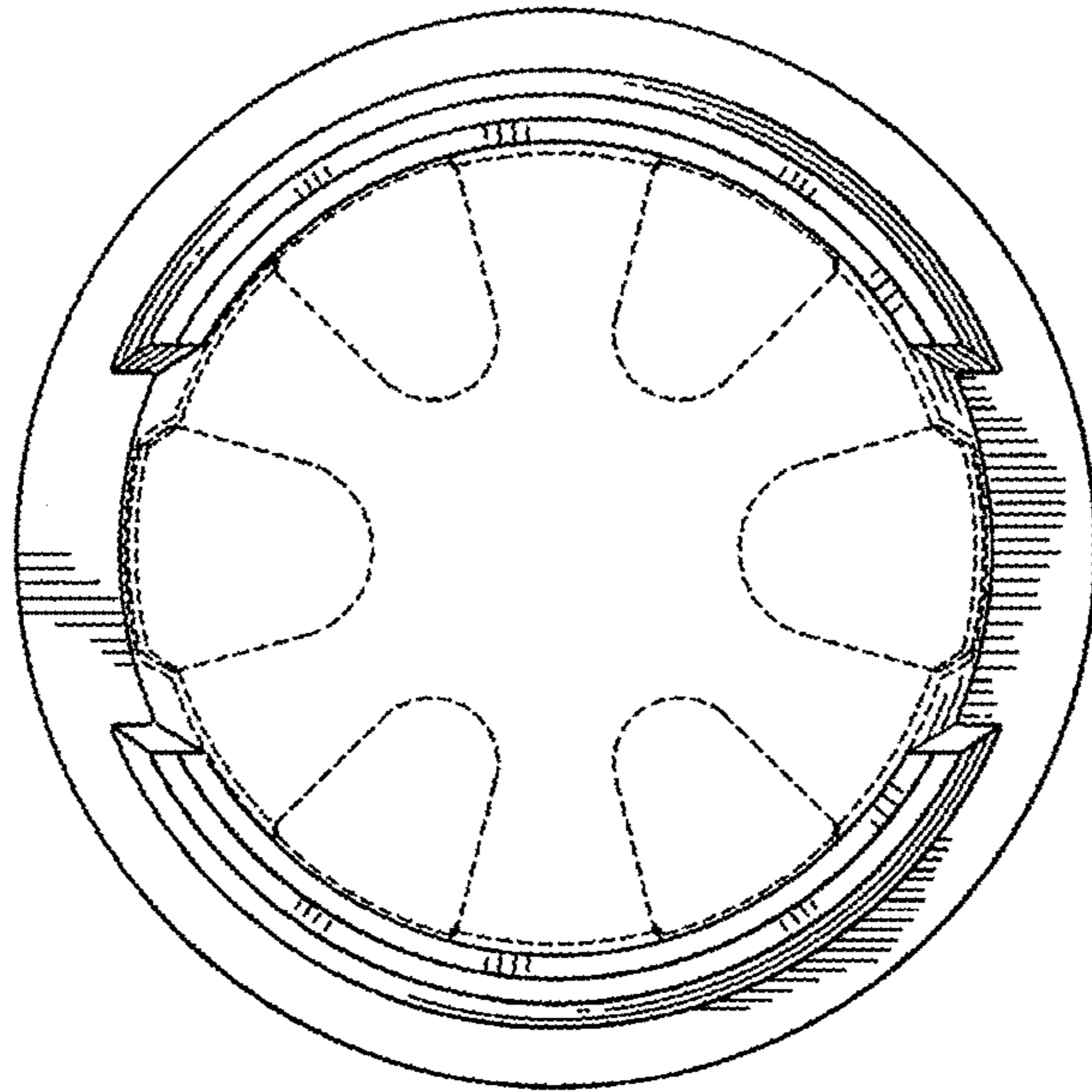


FIG.5