



US00D779872S

(12) **United States Design Patent**
Bergström

(10) **Patent No.:** **US D779,872 S**

(45) **Date of Patent:** **** Feb. 28, 2017**

(54) **LID FOR A SHAKER BOTTLE**

(71) Applicant: **DevPat AB**, Västerås (SE)

(72) Inventor: **Mikael Bergström**, Västerås (SE)

(73) Assignee: **DevPat AB**, Västerås (SE)

(**) Term: **15 Years**

(21) Appl. No.: **29/532,844**

(22) Filed: **Jul. 10, 2015**

(30) **Foreign Application Priority Data**

Aug. 4, 2015 (EM) 002677336

(51) **LOC (10) Cl.** **07-99**

(52) **U.S. Cl.**
USPC **D7/392.1**; D7/900; D7/396.2; D9/446;
D9/447; D9/449

(58) **Field of Classification Search**

USPC D7/507, 510, 511, 529, 533, 536, 300.1,
D7/589, 591, 608, 396.2, 392.1, 900, 523,
D7/531, 532, 629, 387, 396.3; D9/434,
D9/435, 442, 447, 449, 526, 517, 503,
D9/436, 440, 446, 905, 454, 427;
220/592.16, 592.17, 495.03, 509, 62.12,
220/703, 705, 200; 215/388, 387, 45,
215/206, 224, 240, 305; 206/154, 156
CPC A47J 43/27; A47J 31/002; A47J 31/005;
A47J 43/0722; B01F 13/0022; B01F
15/00512; B01F 15/00564; B01F
11/0005; B01F 2215/0022; A23G 9/52
See application file for complete search history.

(56) **References Cited**

U.S. PATENT DOCUMENTS

D510,235 S * 10/2005 Sorensen D7/510
D644,065 S * 8/2011 Llerena D7/300.1

D646,919 S * 10/2011 Nilsson D7/300.1
D655,131 S * 3/2012 Nilsson
D656,357 S * 3/2012 Enghard D7/300.1
D687,661 S * 8/2013 Cetera D7/300.1
D690,989 S * 10/2013 Cetera D7/392.1
D696,551 S * 12/2013 Meyers D7/392.1
D699,996 S * 2/2014 De Leo D7/300.1
8,672,164 B2 * 3/2014 Honeyghan A47G 19/22
215/235
8,695,830 B2 * 4/2014 Meyers B65D 51/242
215/228
D739,674 S * 9/2015 Bergstrom D7/300.1
D742,230 S * 11/2015 Charles D7/396.2
D747,624 S * 1/2016 Walker D7/392.1
D748,478 S * 2/2016 Sorensen D9/443
D752,382 S * 3/2016 Ksiazek D7/392.1
D752,390 S * 3/2016 Ksiazek D7/300.1

(Continued)

Primary Examiner — Marianne Pandozzi

Assistant Examiner — Jae Liang

(74) *Attorney, Agent, or Firm* — Dilworth & Barrese,
LLP

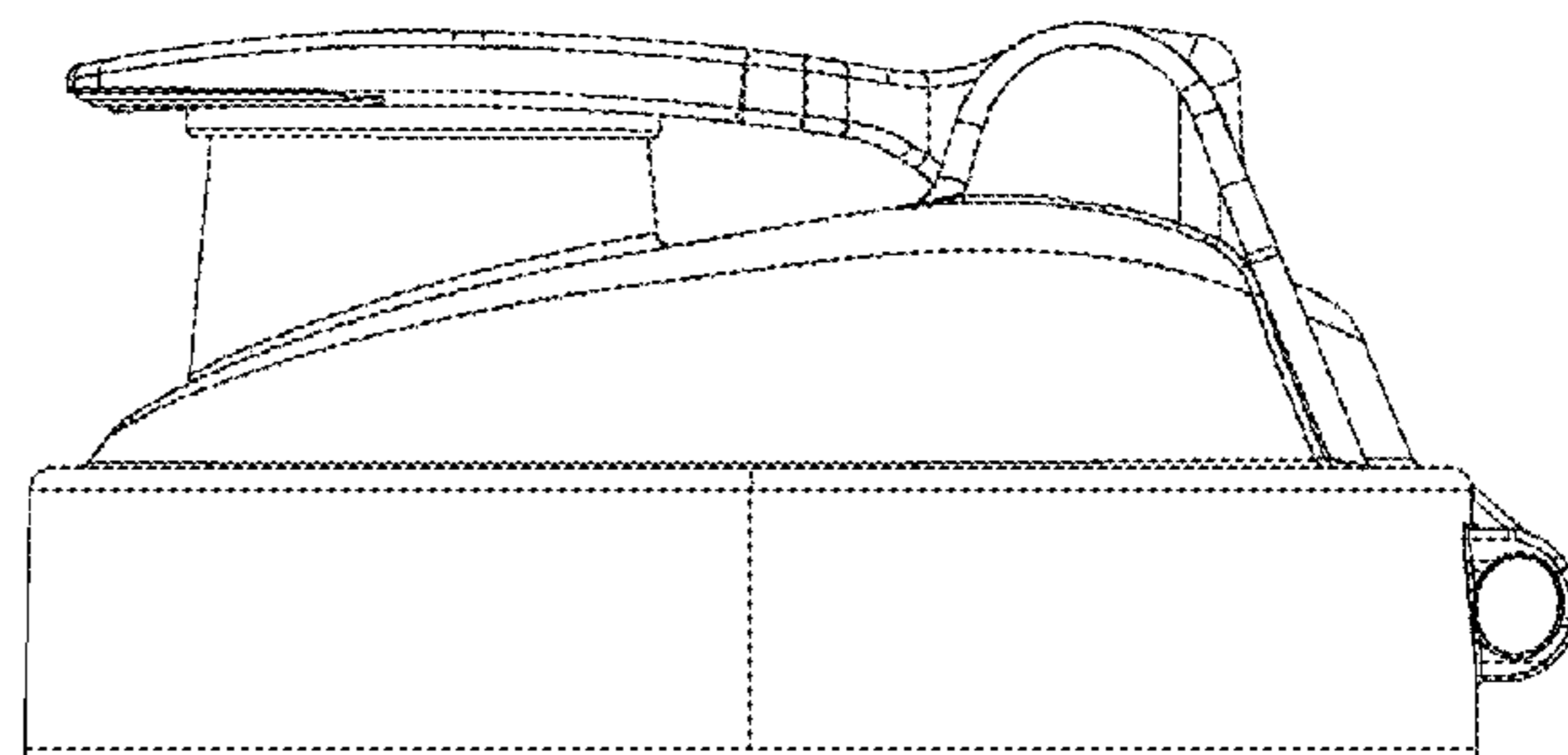
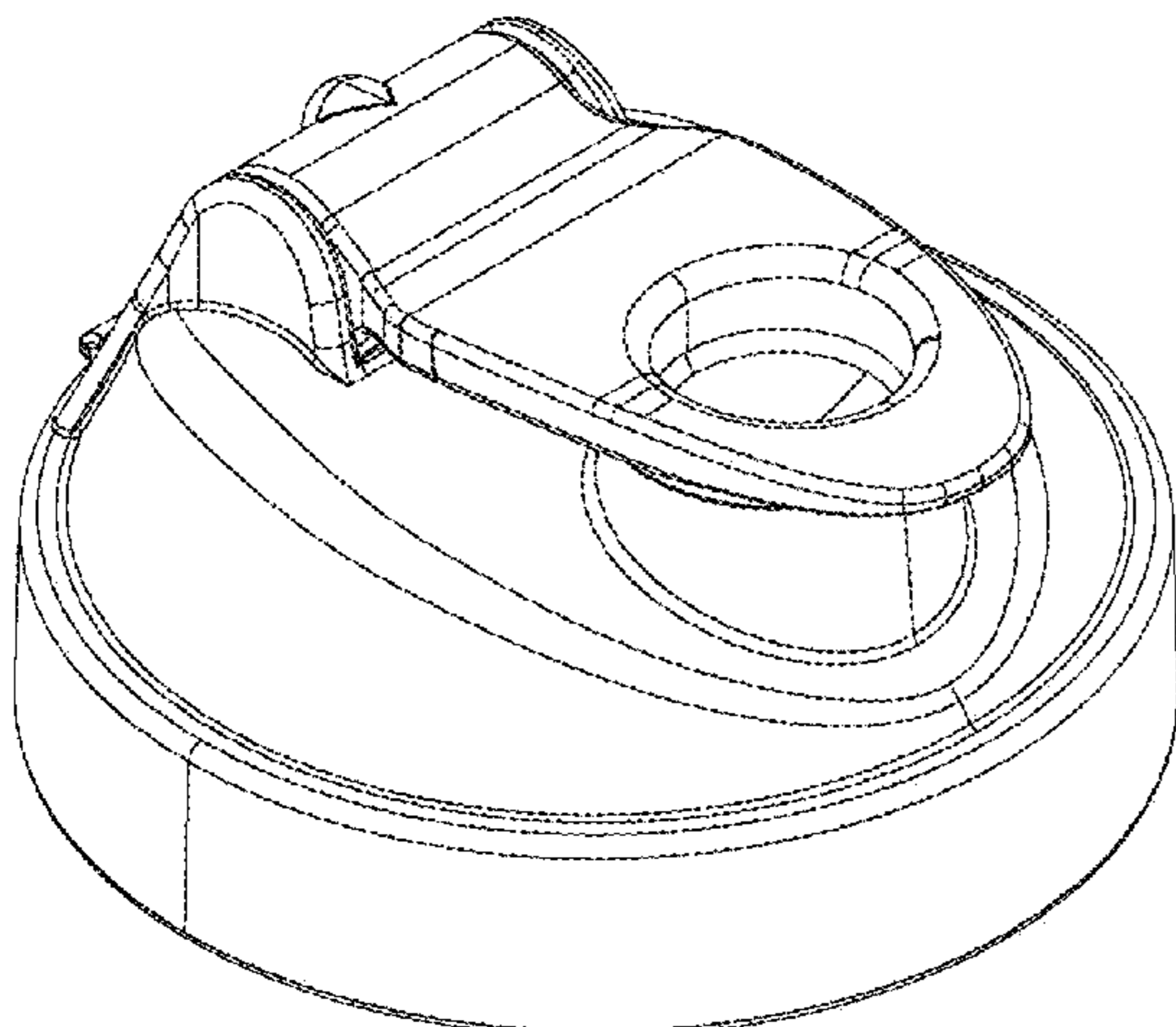
(57) **CLAIM**

The ornamental design for a lid for a shaker bottle, as shown and described.

DESCRIPTION

FIG. 1 is a left, front side perspective view of a lid for a shaker bottle showing my new design; FIG. 2 is a front elevational view thereof; FIG. 3 is a rear elevational view thereof; FIG. 4 is a right side elevational view thereof; FIG. 5 is a left side elevational view thereof; FIG. 6 is a top plan view thereof; and, FIG. 7 is a bottom plan view thereof. The broken lines in the drawing depict portions of the lid for a shaker bottle that form no part of the claimed design.

1 Claim, 7 Drawing Sheets



(56)

References Cited

U.S. PATENT DOCUMENTS

D758,127 S * 6/2016 Zhao D7/392.1
D766,029 S * 9/2016 Lin D7/300.1
2010/0282703 A1* 11/2010 Yang B65D 51/242
215/228
2012/0061398 A1* 3/2012 Nilsson B65D 47/148
220/568
2014/0360908 A1* 12/2014 Sorensen B65D 21/0228
206/501

* cited by examiner

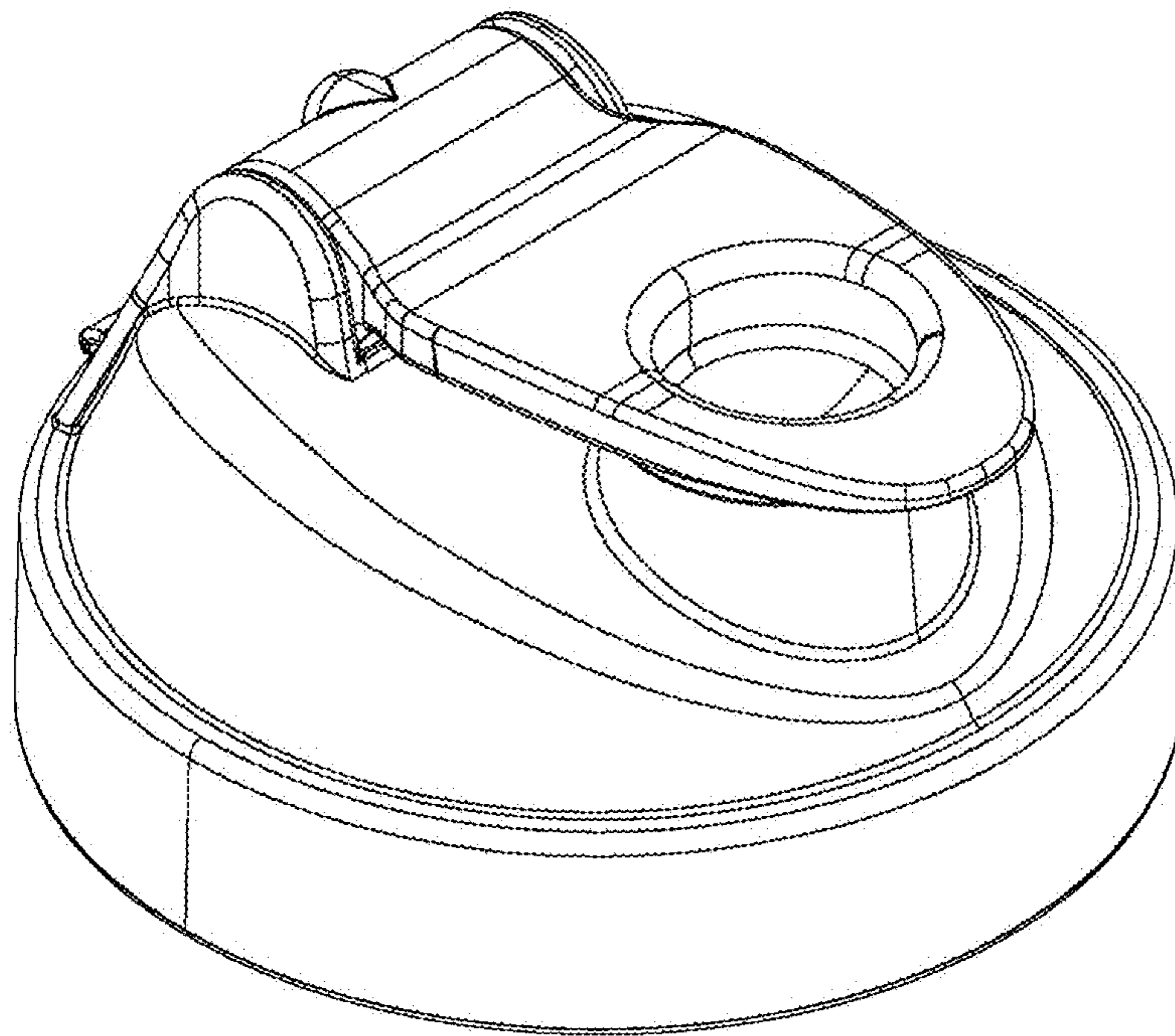


FIG. 1

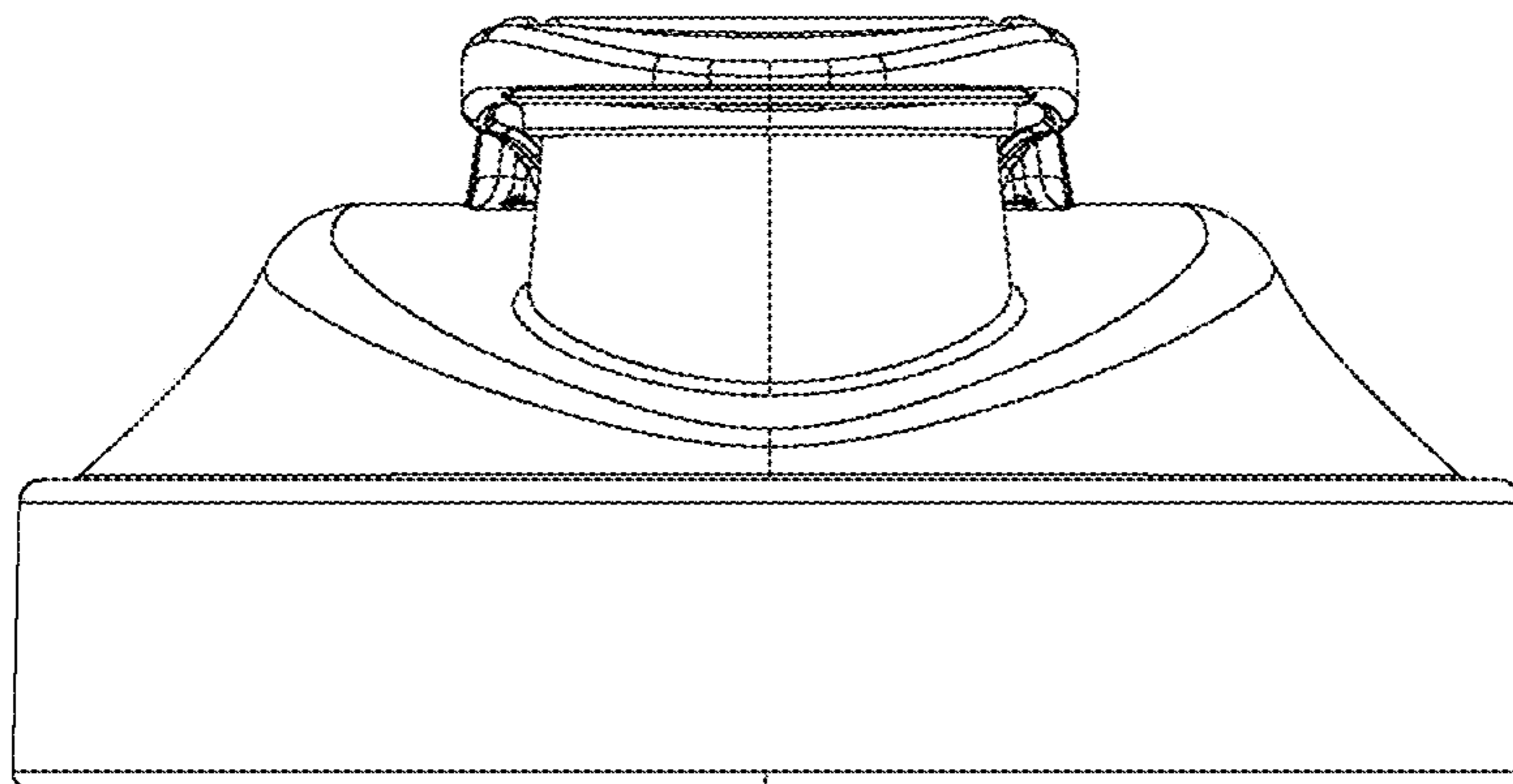


FIG. 2

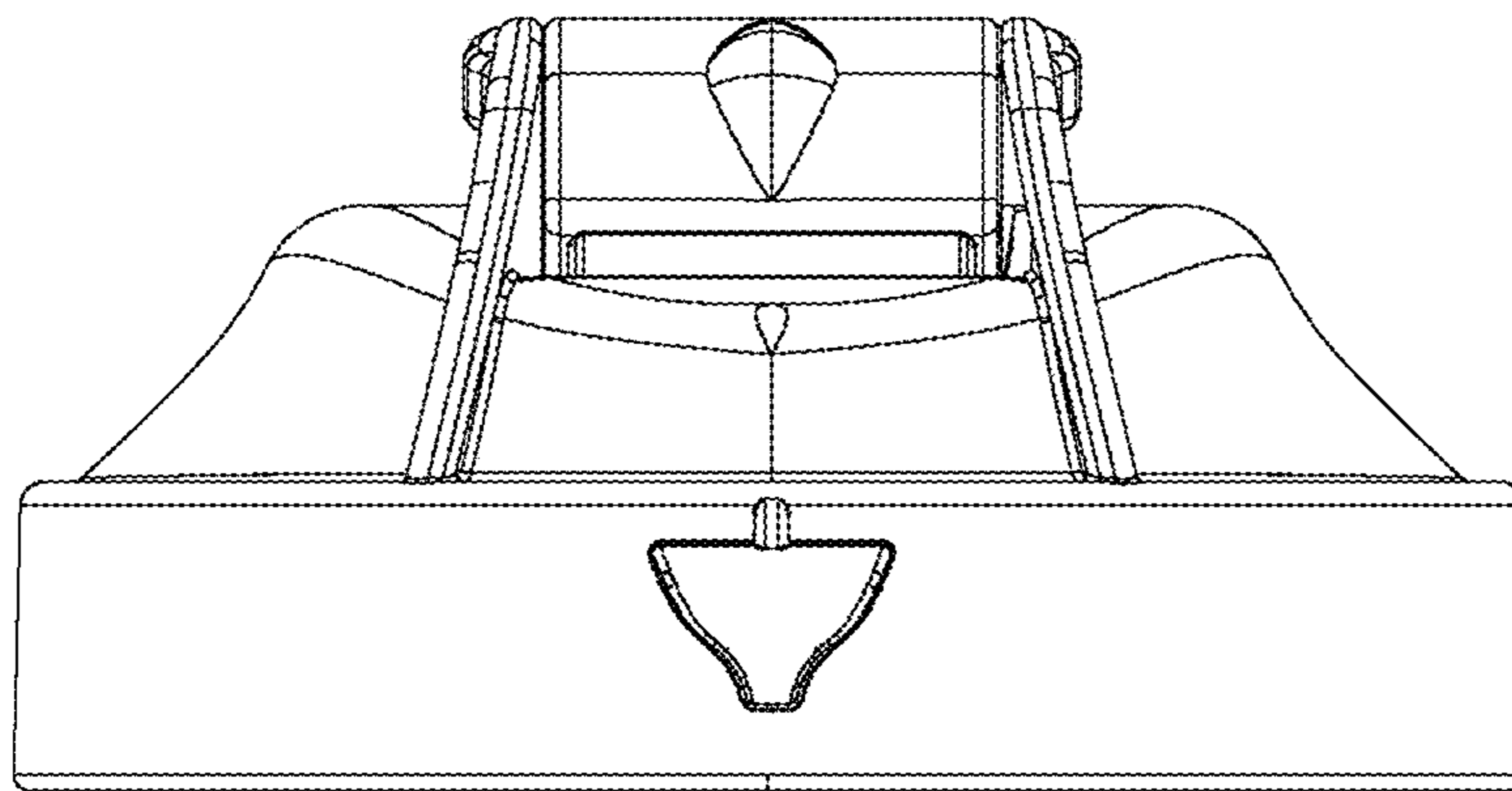


FIG. 3

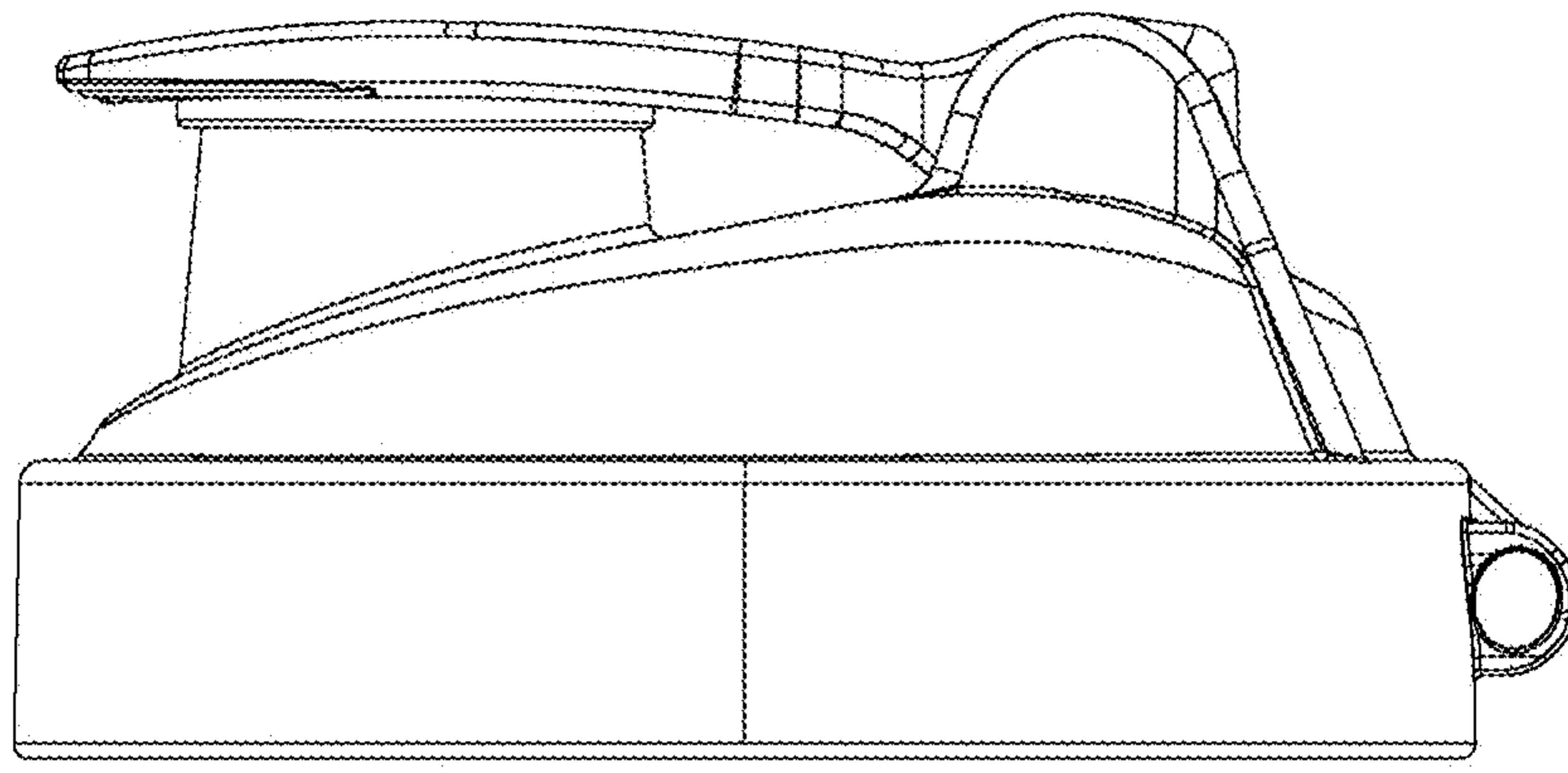


FIG. 4

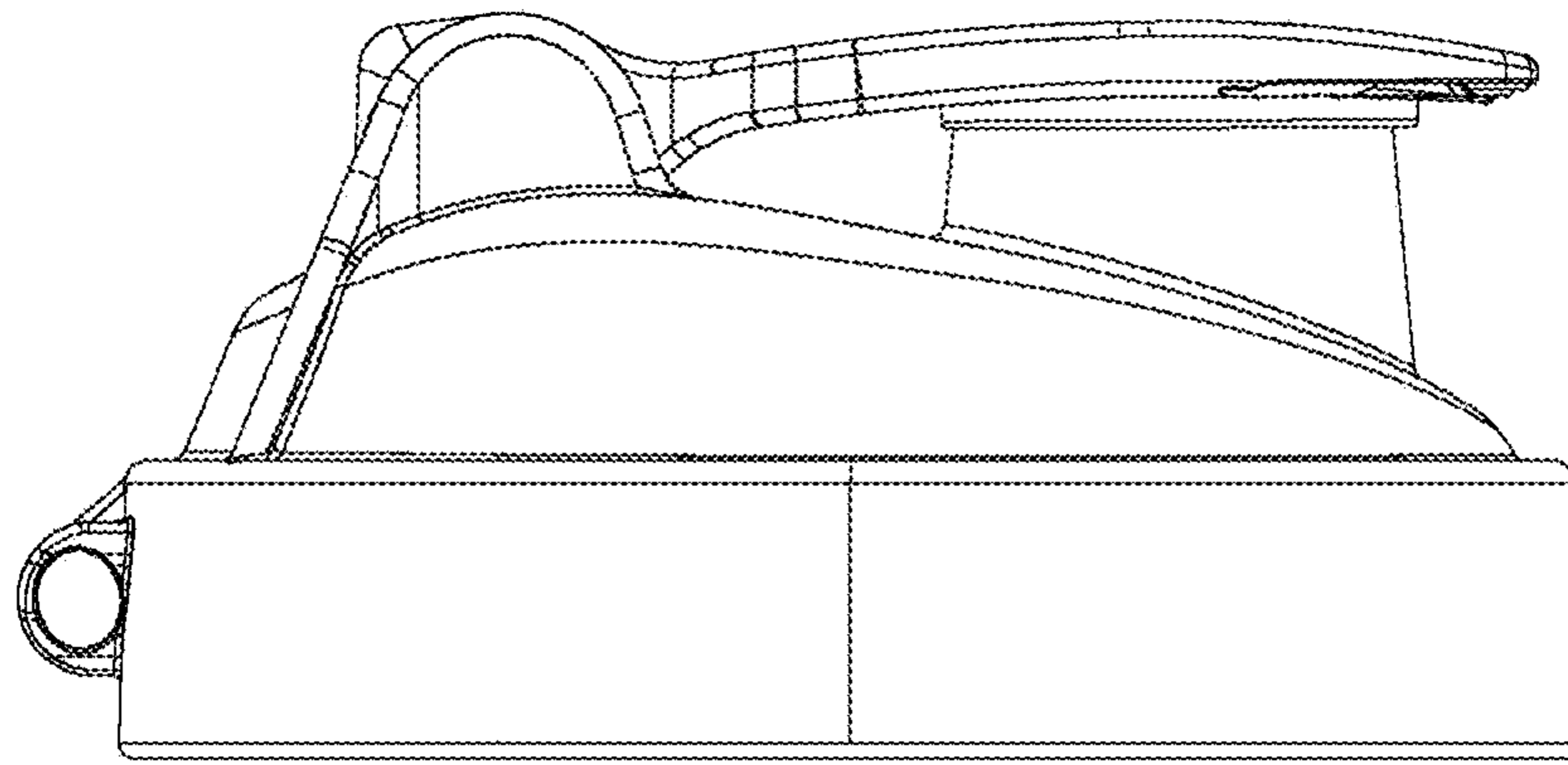


FIG. 5

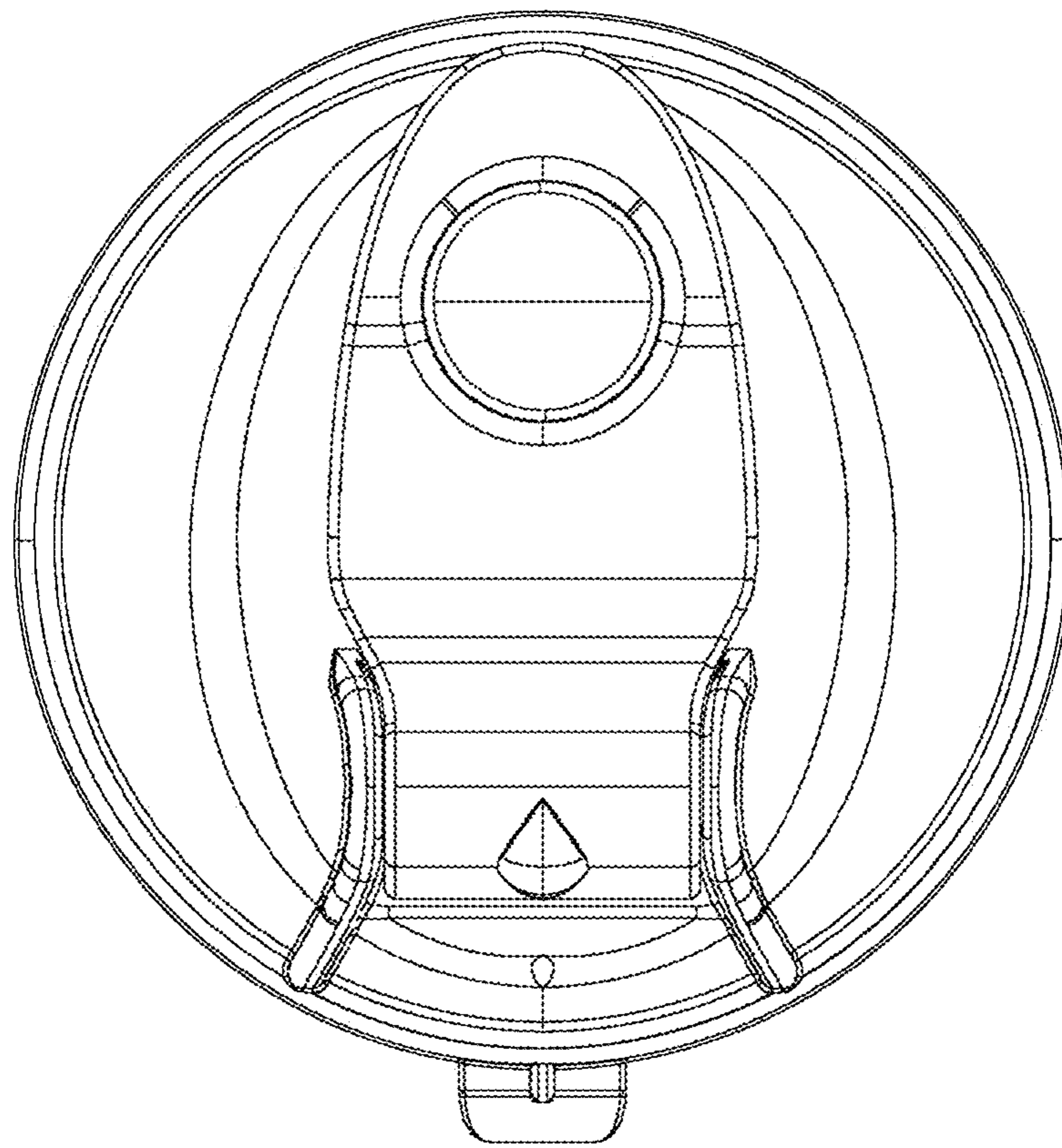


FIG. 6

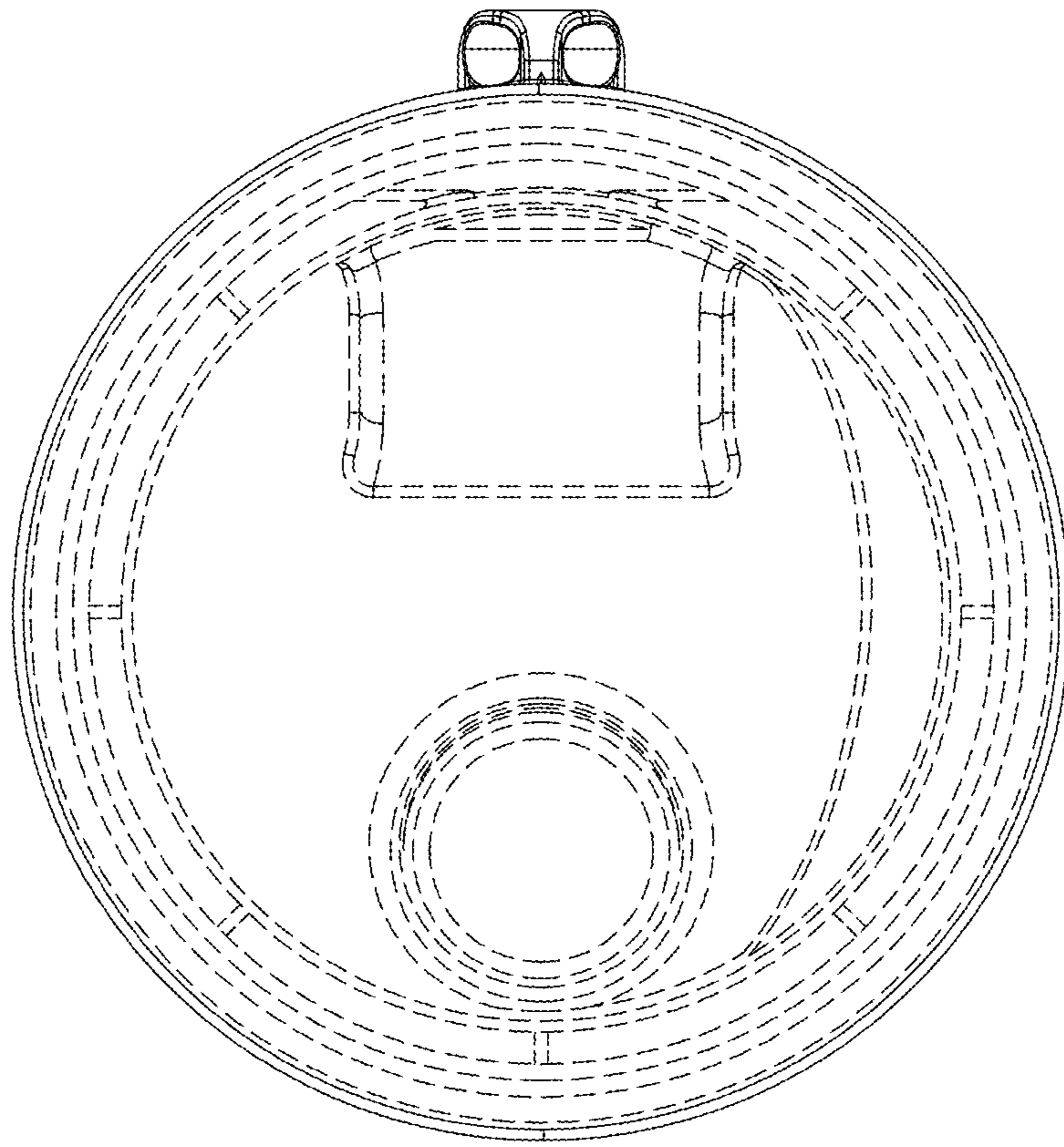


FIG. 7

UNITED STATES PATENT AND TRADEMARK OFFICE
CERTIFICATE OF CORRECTION

PATENT NO. : D779,872 S
APPLICATION NO. : 29/532844
DATED : February 28, 2017
INVENTOR(S) : Mikael Bergström

Page 1 of 1

It is certified that error appears in the above-identified patent and that said Letters Patent is hereby corrected as shown below:

On the Title Page

Item (30) should read:

-- (30) Foreign Application Priority Data

April 8, 2015 (EM)..... 002677336 --.

Signed and Sealed this
Thirtieth Day of May, 2017



Michelle K. Lee
Director of the United States Patent and Trademark Office