



US00D779871S

(12) **United States Design Patent** (10) **Patent No.:** **US D779,871 S**  
**Zemel et al.** (45) **Date of Patent:** **\*\* Feb. 28, 2017**

(54) **GRILL PAN**

(71) Applicant: **BLUE RHINO GLOBAL SOURCING, INC.**, Liberty, MO (US)

(72) Inventors: **Marc Zemel**, Melville, NY (US);  
**Adam Schillen**, Dix Hills, NY (US)

(73) Assignee: **BLUE RHINO GLOBAL SOURCING, INC.**, Liberty, MO (US)

(\*\*) Term: **15 Years**

(21) Appl. No.: **29/533,482**

(22) Filed: **Jul. 17, 2015**

(51) **LOC (10) Cl.** ..... **07-02**

(52) **U.S. Cl.**

USPC ..... **D7/361**; D7/354; D7/359

(58) **Field of Classification Search**

USPC ..... D3/315; D6/524, 532, 536, 672, 683,  
D6/691, 704; D7/323, 354, 359, 360,  
D7/552.1, 553.1, 553.2, 554.1, 600.1,  
D7/601, 602; 414-420, 424, 427,  
D7/430-434, 455, 456, D9/499; D19/103;  
D24/224, 227, 228, 229, 230; 99/324,  
99/339, 423, 426, 446, 448, 450;  
219/125.35, 4.21, 376, 377, 573.1, 574,  
219/601, 602, 610, 657, 669, 672, 673,  
219/674, 675, 810, 912; 249/66.1, 117,  
249/119, 122, 123, 124, 127, 155, 156,  
249/160

CPC ..... A47J 27/002; A47J 36/025; A47J 45/068;  
A47J 37/10; A47J 37/103

See application file for complete search history.

(56) **References Cited**

**U.S. PATENT DOCUMENTS**

2,135,318 A \* 11/1938 Barkinsky ..... A47J 37/103  
99/446  
2,179,512 A \* 11/1939 McBirney ..... A21B 3/155  
220/615  
D277,254 S \* 1/1985 Matsuhisa ..... D7/359

D373,285 S \* 9/1996 Coroama ..... D7/359  
D376,723 S \* 12/1996 Asner ..... D7/359  
D414,981 S \* 10/1999 Roskind ..... D7/359  
D458,798 S \* 6/2002 Kellermann ..... D7/360  
D467,462 S \* 12/2002 Teisen-Simony ..... D7/360  
D470,711 S \* 2/2003 Kloppsteck ..... D7/359  
D511,929 S \* 11/2005 Coppi ..... D7/359  
D522,807 S \* 6/2006 Dow et al.  
D544,294 S \* 6/2007 Lee ..... D7/354  
D556,503 S \* 12/2007 Holcomb ..... D7/360  
D585,702 S 2/2009 Borovicka et al.  
D609,525 S 2/2010 Rabanal  
7,717,029 B2 5/2010 Rowe et al.  
D618,957 S 7/2010 Zemel  
D621,655 S 8/2010 Zemel  
D624,787 S 10/2010 Adams et al.  
D635,825 S 4/2011 Borovicka et al.  
D639,601 S 6/2011 Borovicka et al.

(Continued)

**OTHER PUBLICATIONS**

Mr. Bar-B-Q Cast Iron Skillet: Site Visited Aug. 4, 2016. Available from Internet URL: <http://www.walmart.com/ip/Mr.-Bar-B-Q-Cast-Iron-Skillet-with-Holes-for-Searing/42436588>.\*

(Continued)

*Primary Examiner* — Thomas Johannes

*Assistant Examiner* — Catherine Posthauer

(74) *Attorney, Agent, or Firm* — Carter, DeLuca, Farrell & Schmidt, LLP

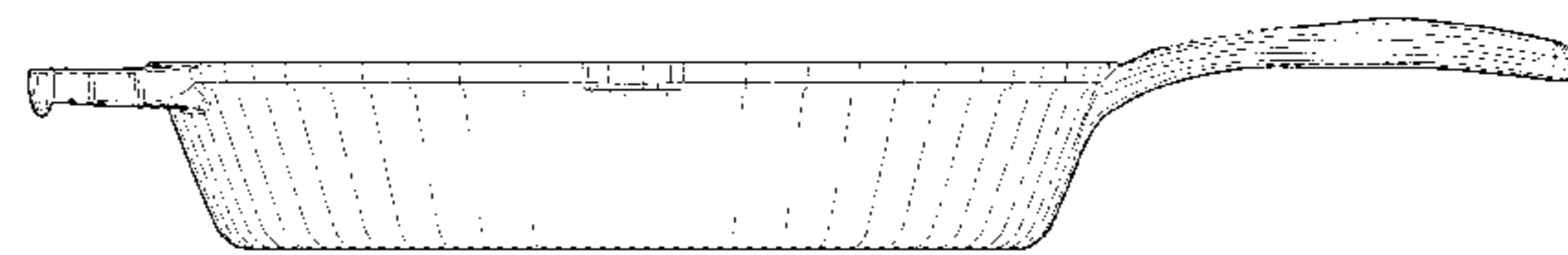
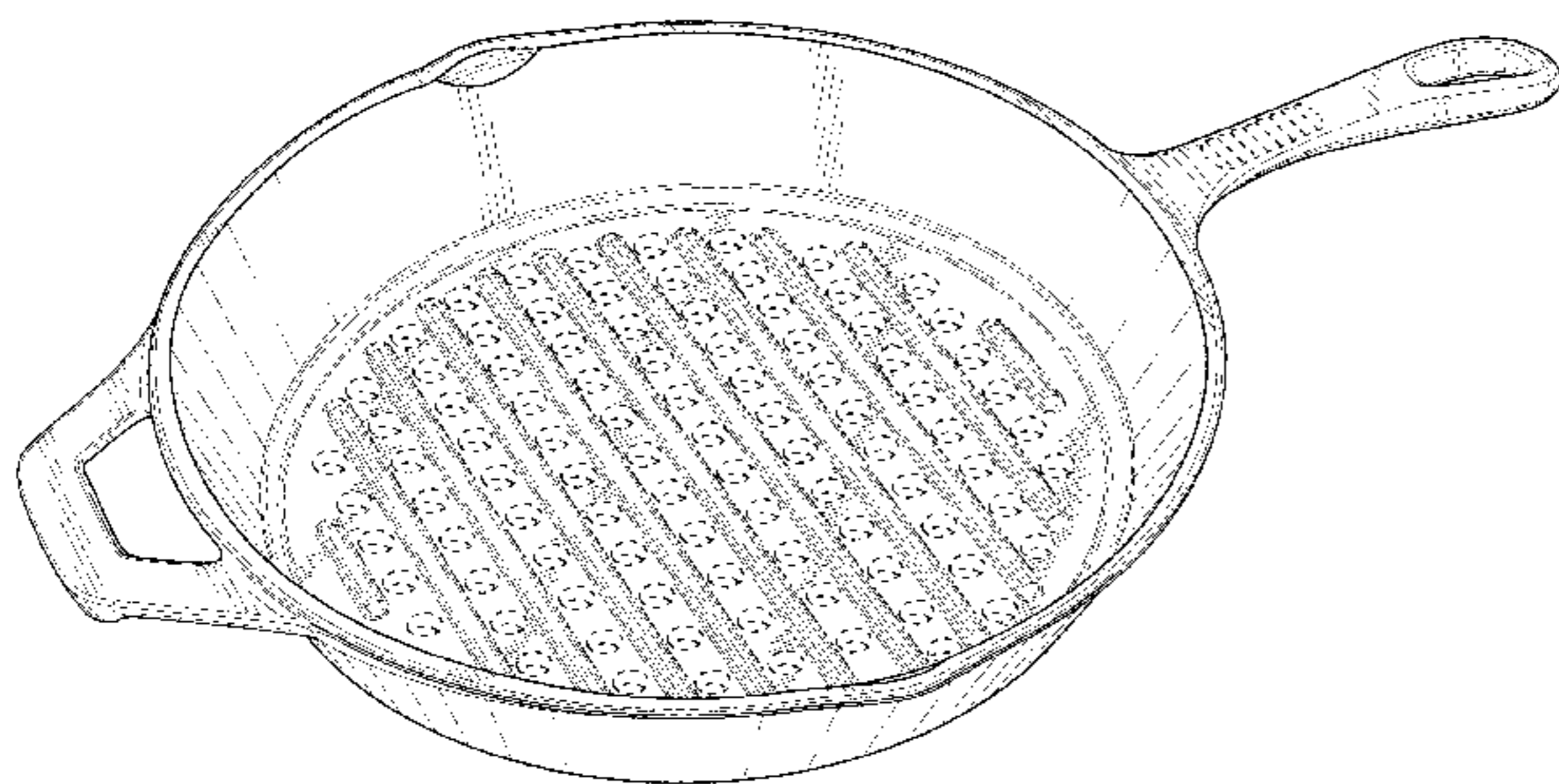
(57) **CLAIM**

The ornamental design for a grill pan, as shown and described.

**DESCRIPTION**

FIG. 1 is a front perspective view of a grill pan in accordance with the present design;  
FIG. 2 is a left side elevational view thereof;  
FIG. 3 is a right side elevational view thereof;  
FIG. 4 is a front side elevational view thereof;  
FIG. 5 is a rear side elevational view thereof;  
FIG. 6 is a top plan view thereof; and,  
FIG. 7 is a bottom plan view thereof.

(Continued)



The broken lines shown in the drawings illustrate portions of the grill pan that form no part of the claimed design.

**1 Claim, 5 Drawing Sheets**

(56)

**References Cited**

U.S. PATENT DOCUMENTS

D650,632 S 12/2011 Zemel  
D651,457 S 1/2012 Borovicka et al.  
D658,441 S 5/2012 Borovicka et al.  
D658,942 S 5/2012 Borovicka et al.  
D669,730 S \* 10/2012 Mandil ..... D7/354  
D675,863 S \* 2/2013 Zucchi ..... D7/354  
D676,705 S \* 2/2013 Di Bartolo ..... D7/354  
D682,012 S \* 5/2013 Lin ..... D7/354  
D689,325 S \* 9/2013 Ortegon ..... D7/354  
D689,326 S \* 9/2013 Ortegon ..... D7/354  
D702,499 S 4/2014 Zemel

D703,485 S 4/2014 Zemel  
D731,231 S \* 6/2015 Steininger ..... D7/354  
D756,699 S \* 5/2016 Kim ..... D7/354  
2008/0066734 A1 3/2008 Bright  
2012/0055346 A1 \* 3/2012 Navare ..... A47J 37/10  
99/445  
2012/0248123 A1 \* 10/2012 Rayudu ..... A47J 27/002  
220/573.1  
2012/0305568 A1 \* 12/2012 Lee ..... A47J 36/025  
220/573.2  
2012/0312822 A1 \* 12/2012 Cheng ..... A47J 45/068  
220/573.1  
2015/0053696 A1 \* 2/2015 Borovicka ..... A47J 45/071  
220/573.1

OTHER PUBLICATIONS

Design U.S. Appl. No. 29/527,885, filed May 22, 2015.  
Design U.S. Appl. No. 29/531,865, filed Jun. 30, 2015.

\* cited by examiner

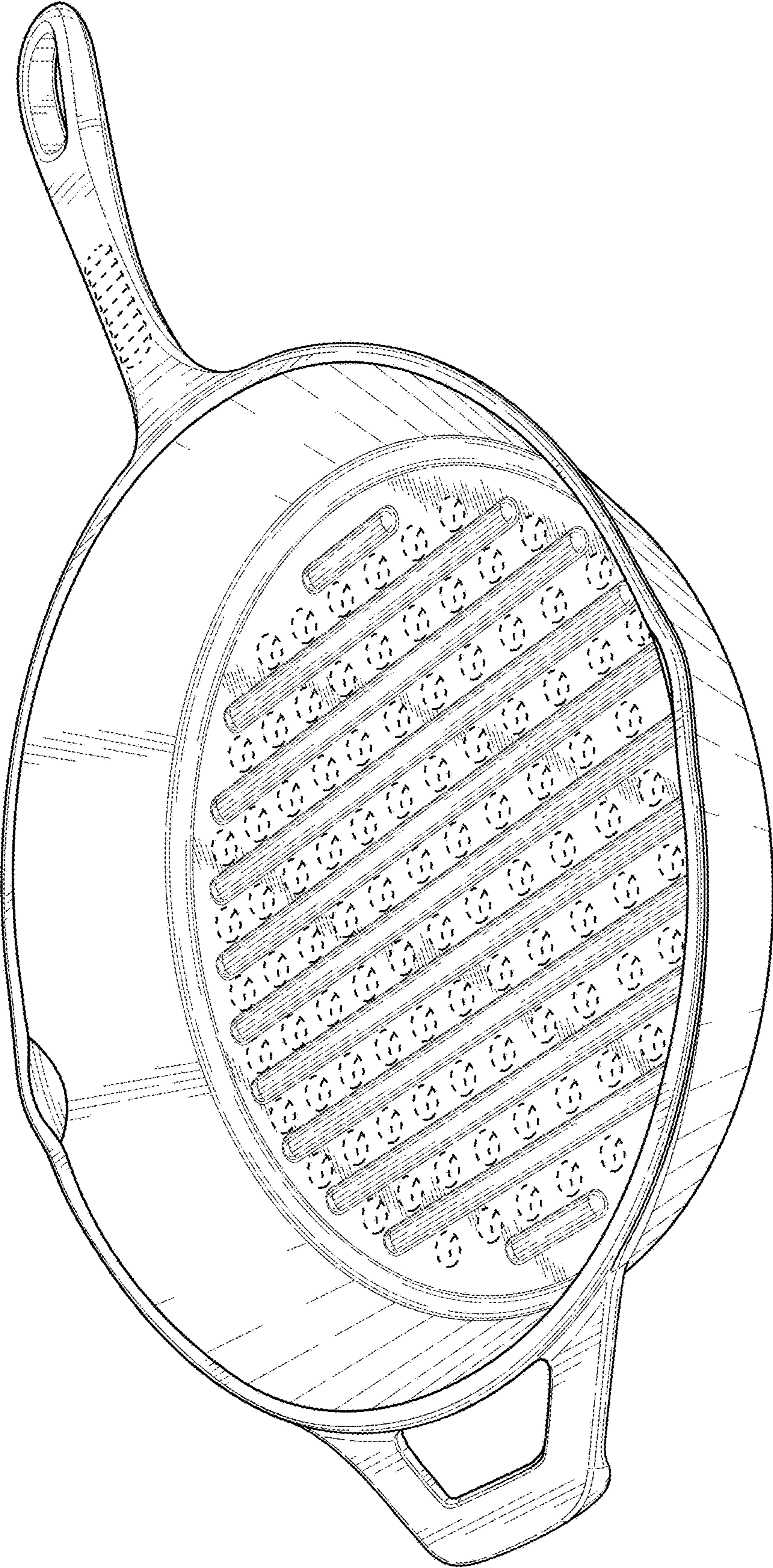


FIG. 1

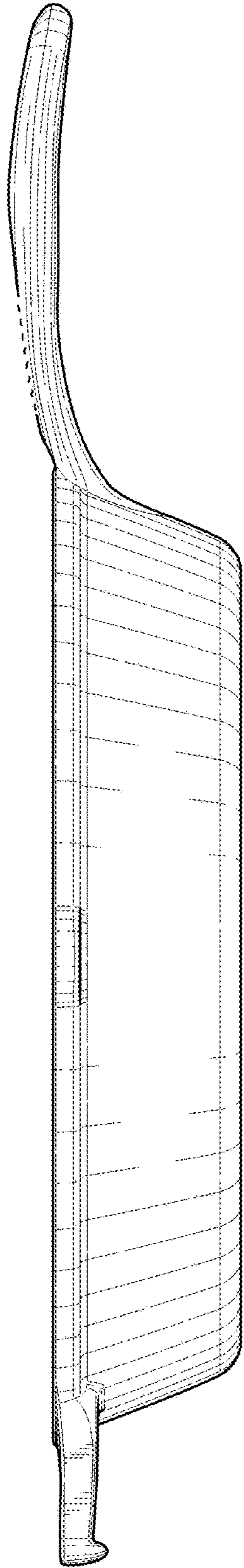


FIG. 2

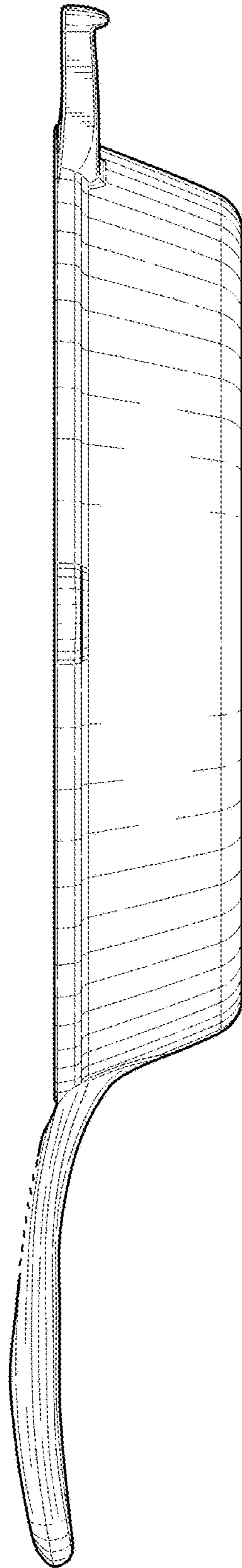


FIG. 3

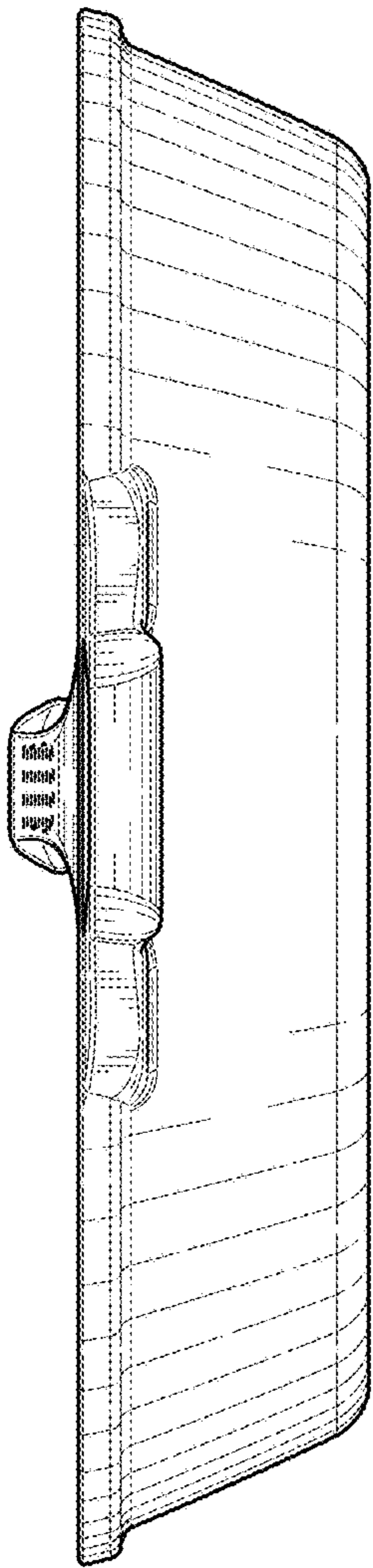


FIG. 4

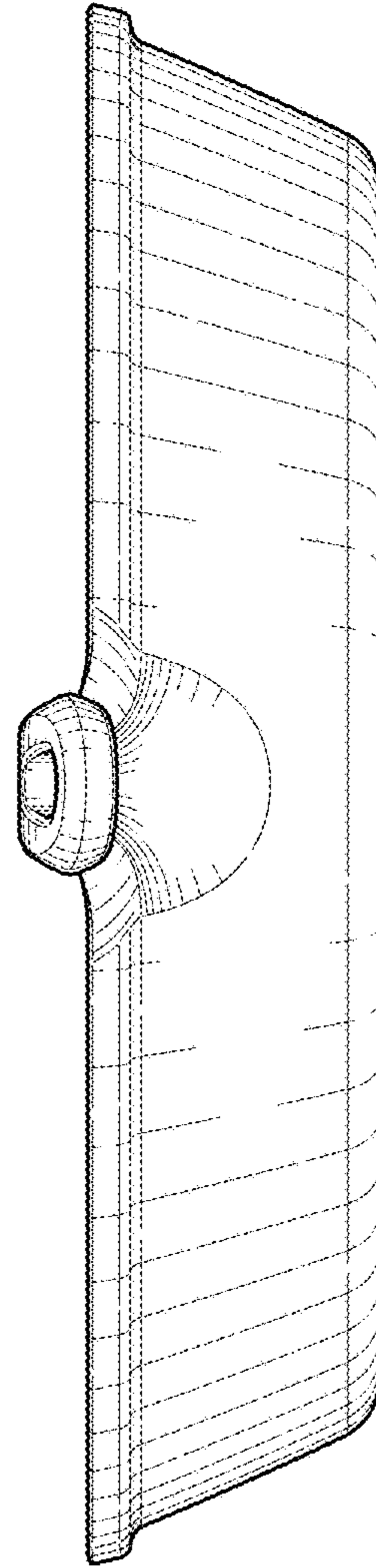


FIG. 5

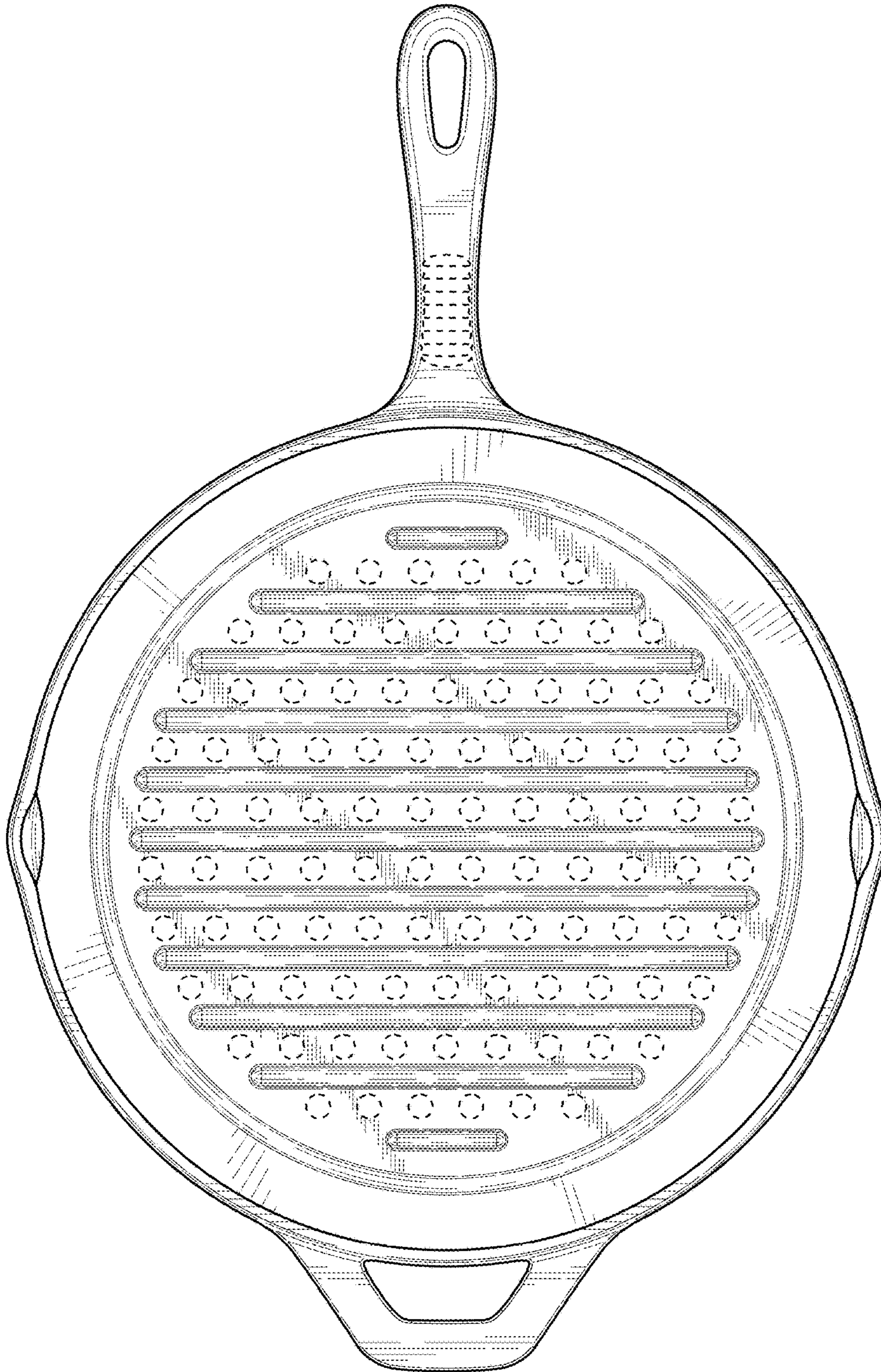


FIG. 6

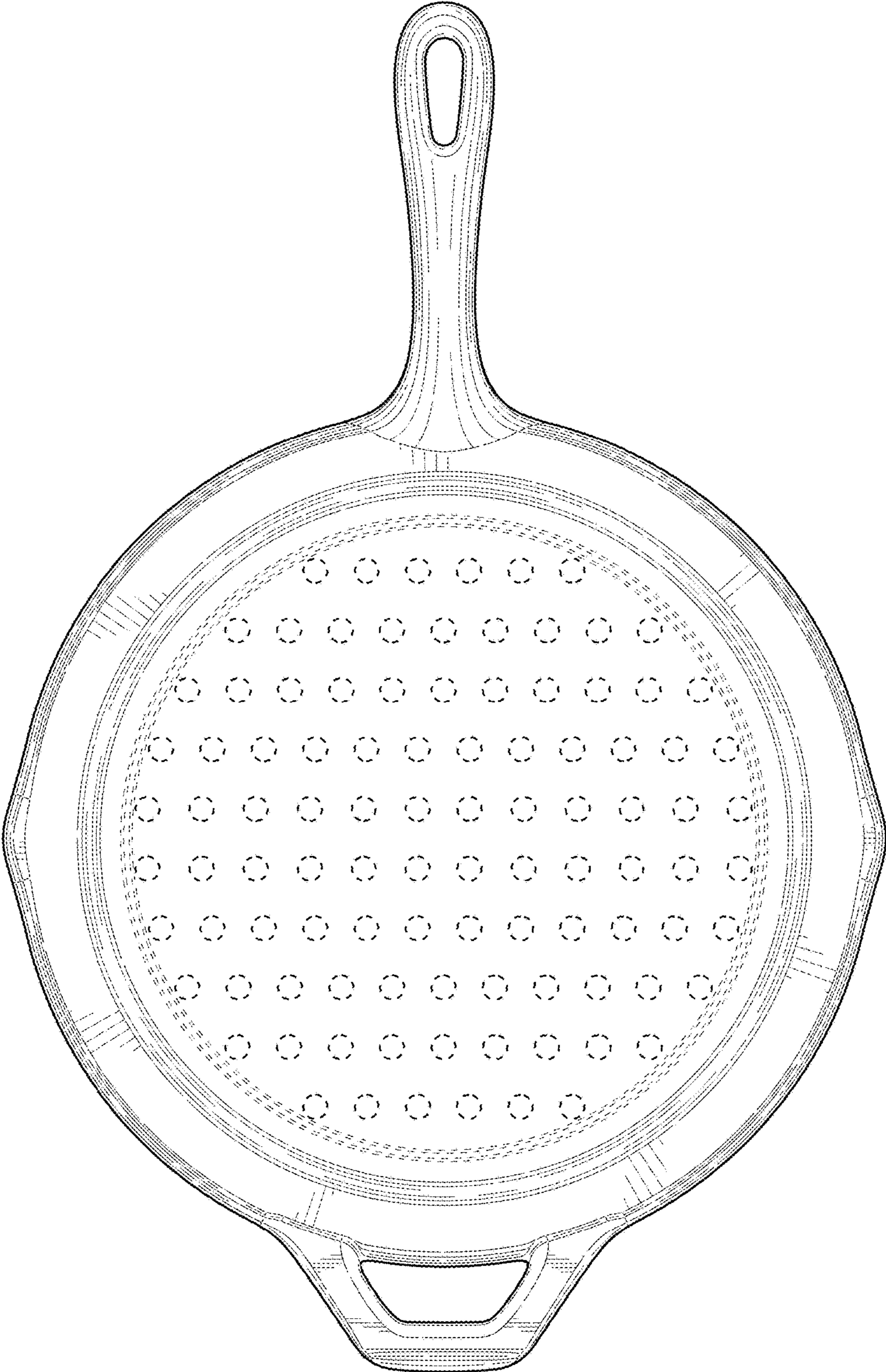


FIG. 7