



US00D779870S

(12) **United States Design Patent** (10) **Patent No.:** **US D779,870 S**  
**Serrano** (45) **Date of Patent:** **\*\* Feb. 28, 2017**

(54) **BARBECUE**

D481,255 S \* 10/2003 Mak ..... D7/332  
D516,365 S \* 3/2006 Baris ..... D7/332  
D537,669 S \* 3/2007 Loving ..... D7/332

(71) Applicant: **Robert Arnold Serrano**, Whittier, CA  
(US)

(Continued)

(72) Inventor: **Robert Arnold Serrano**, Whittier, CA  
(US)

*Primary Examiner* — Susan Bennett Hattan

*Assistant Examiner* — Brett Miller

(74) *Attorney, Agent, or Firm* — Kenneth L. Green;  
Averill & Green

(\*\*) Term: **14 Years**

(57) **CLAIM**

(21) Appl. No.: **29/515,314**

The ornamental design for a barbecue, as shown and described.

(22) Filed: **Jan. 21, 2015**

**DESCRIPTION**

(51) **LOC (10) Cl.** ..... **07-02**

FIG. 1 is a perspective view showing the top and front of the barbecue showing my new design shown attached to a frame, which is shown in broken lines and forms no part of the claimed design.

(52) **U.S. Cl.**

USPC ..... **D7/332**

FIG. 2 is a perspective view showing the top and rear of the Barbecue showing my new design shown attached to a frame, which is shown in broken lines and forms no part of the claimed design.

(58) **Field of Classification Search**

USPC ..... D7/332-337, 402, 323, 327, 339-341;  
D34/12, 17, 19, 20

FIG. 3 is a perspective view showing the bottom of the barbecue showing my new design.

CPC ..... A47J 37/0704; A47J 37/0786; A47J  
37/0763; A47J 37/0713; A47J 37/0781;

A47J 2037/0777; A47J 33/00; F24C 3/14;  
F24C 7/10; F24C 15/18; F24C 15/12;

F24B 1/207

FIG. 4 is a top view of the barbecue showing my new design.

See application file for complete search history.

FIG. 5 is a left side view of the barbecue showing my new design shown attached to a frame, which is shown in broken lines and forms no part of the claimed design.

(56) **References Cited**

U.S. PATENT DOCUMENTS

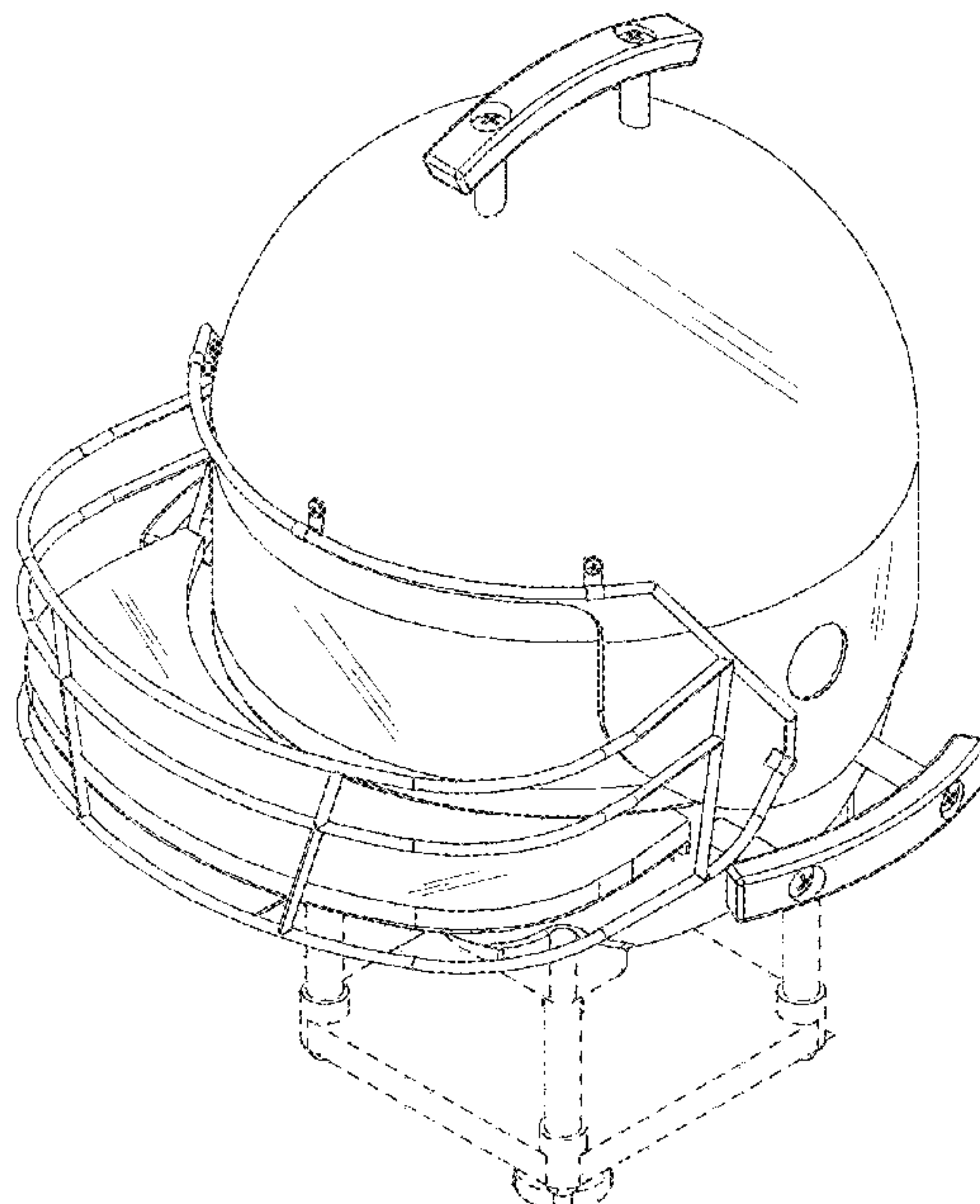
D270,606 S \* 9/1983 McCrary ..... D7/334  
D312,746 S \* 12/1990 Lutter ..... D7/337  
D324,153 S \* 2/1992 Wood ..... D7/332  
D325,319 S \* 4/1992 Zilber ..... D7/337  
D326,583 S \* 6/1992 Lutter ..... D7/332  
D358,527 S \* 5/1995 Danielson ..... D7/332  
D379,286 S \* 5/1997 Fincher ..... D7/334  
D397,580 S \* 9/1998 Dunn ..... D7/332  
D467,119 S \* 12/2002 McGargill ..... D7/332

FIG. 6 is a right side view of the barbecue showing my new design shown attached to a frame, which is shown in broken lines and forms no part of the claimed design.

FIG. 7 is a front view of the barbecue showing my new design shown attached to a frame, which is shown in broken lines and forms no part of the claimed design; and,

FIG. 8 is a rear view of the barbecue showing my new design shown attached to a frame, which is shown in broken lines and forms no part of the claimed design.

**1 Claim, 5 Drawing Sheets**



(56)

**References Cited**

U.S. PATENT DOCUMENTS

D559,612 S *	1/2008	Yount .....	D7/334
D573,398 S *	7/2008	Puerto .....	D7/335
D592,006 S *	5/2009	Griffard .....	D7/337
D631,279 S *	1/2011	Davis .....	D7/332
D686,445 S	7/2013	Serrano	
D691,843 S	10/2013	Serrano	
D712,190 S *	9/2014	Talley .....	D7/334
2005/0045169 A1 *	3/2005	Baris .....	A47J 37/0763 126/25 R
2005/0155596 A1 *	7/2005	Andrews .....	A47J 37/0763 126/25 R
2012/0285438 A1 *	11/2012	Serrano .....	A47J 37/0704 126/25 R

\* cited by examiner

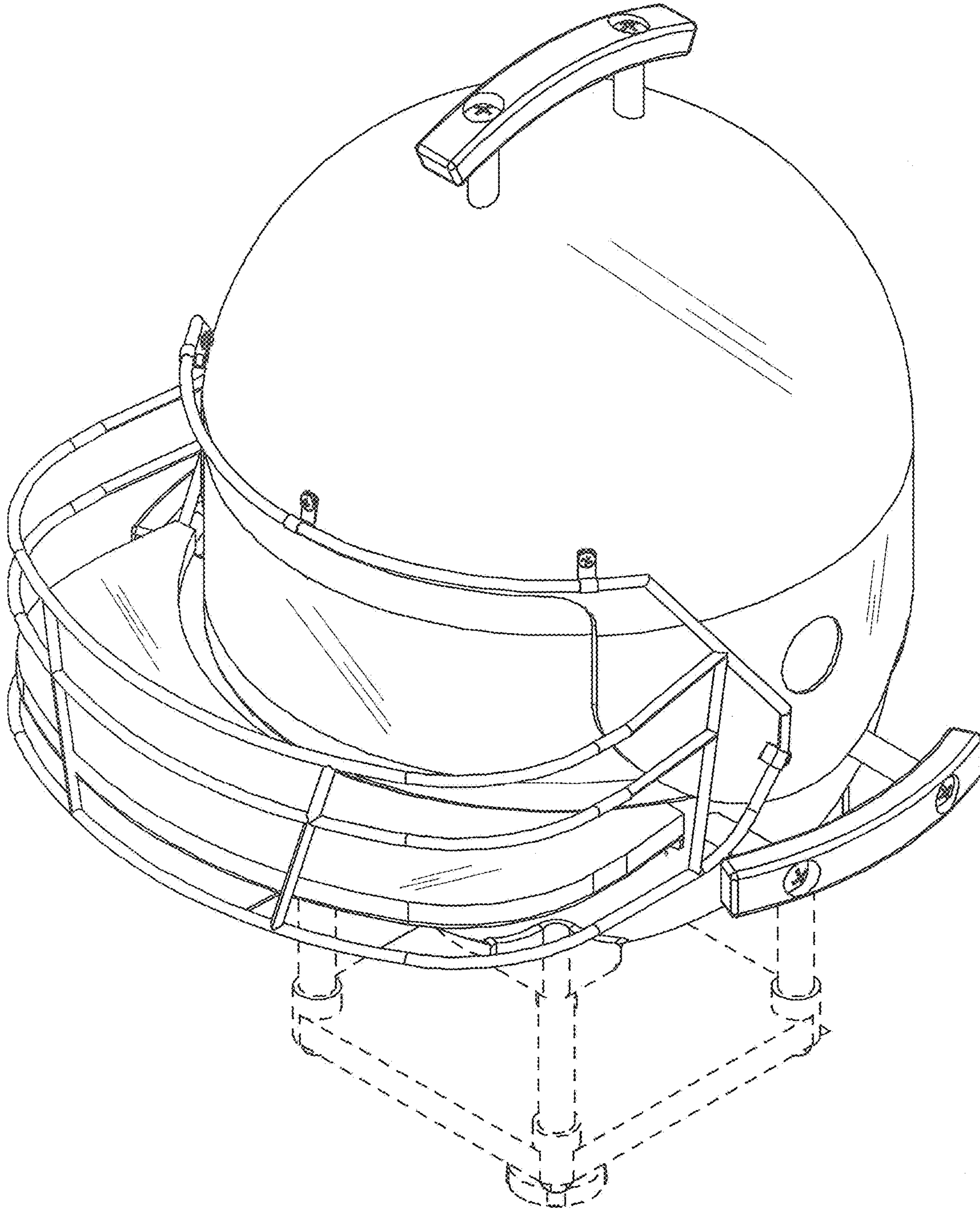


FIG. 1



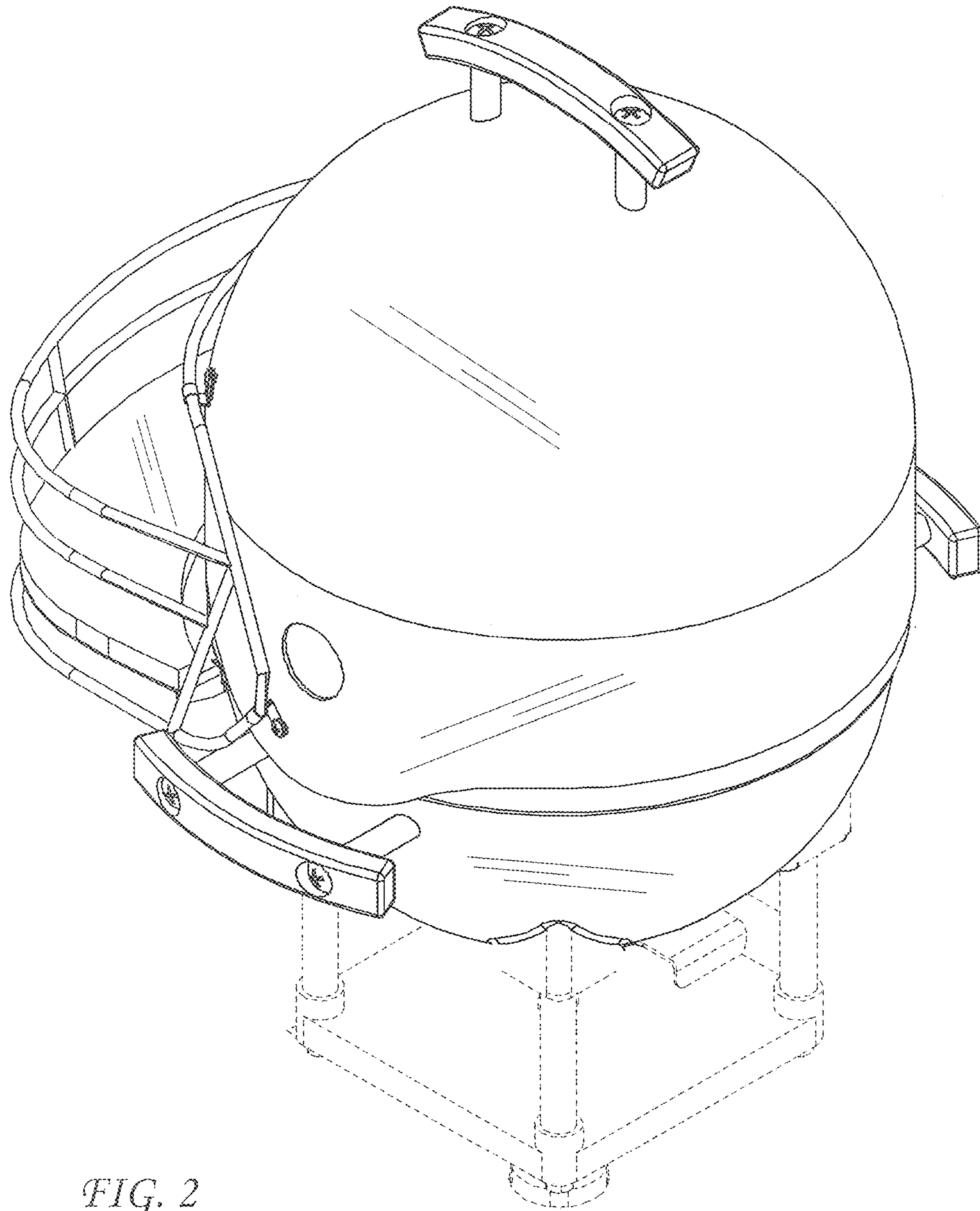


FIG. 2

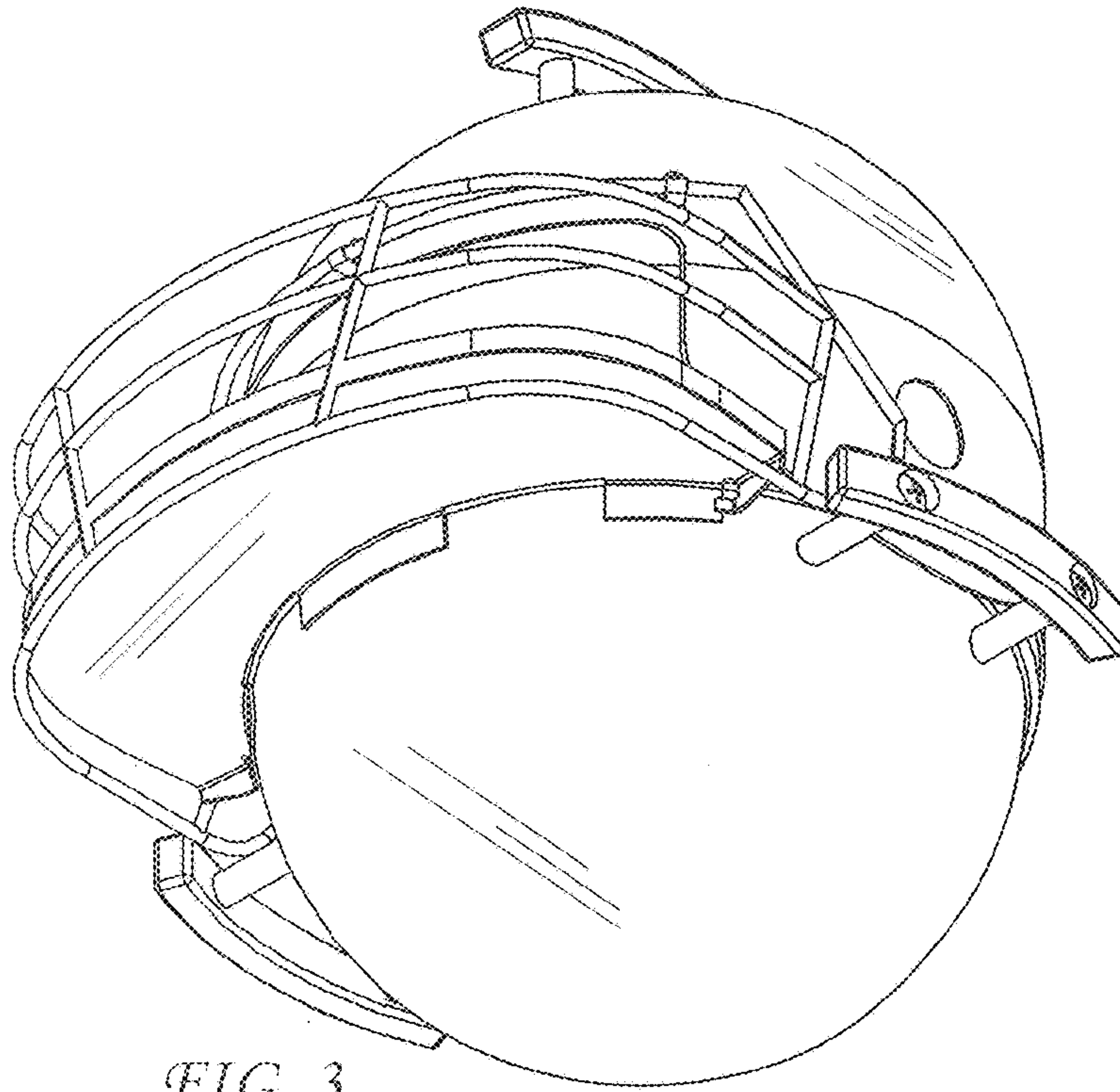


FIG. 3

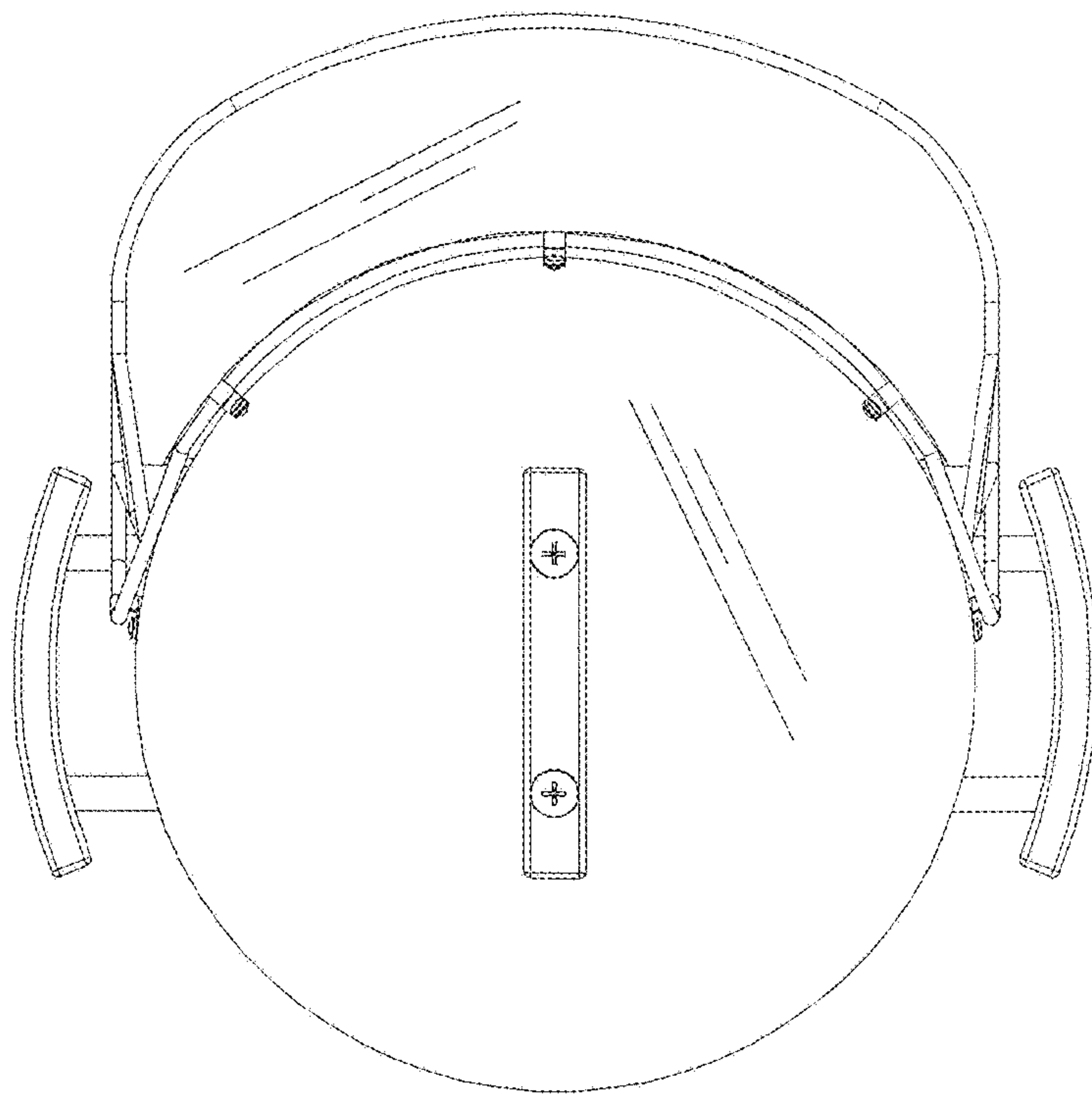


FIG. 4

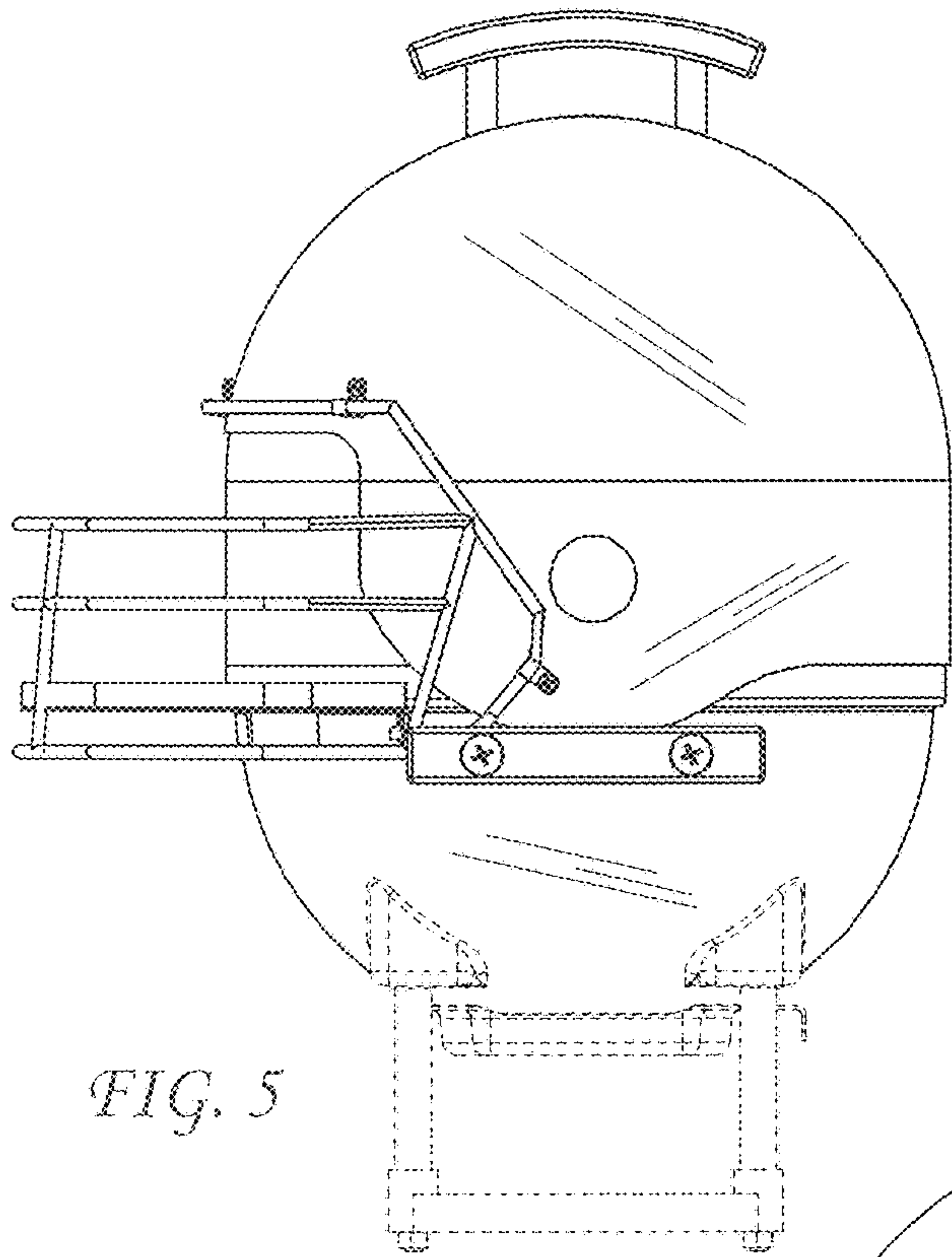


FIG. 5

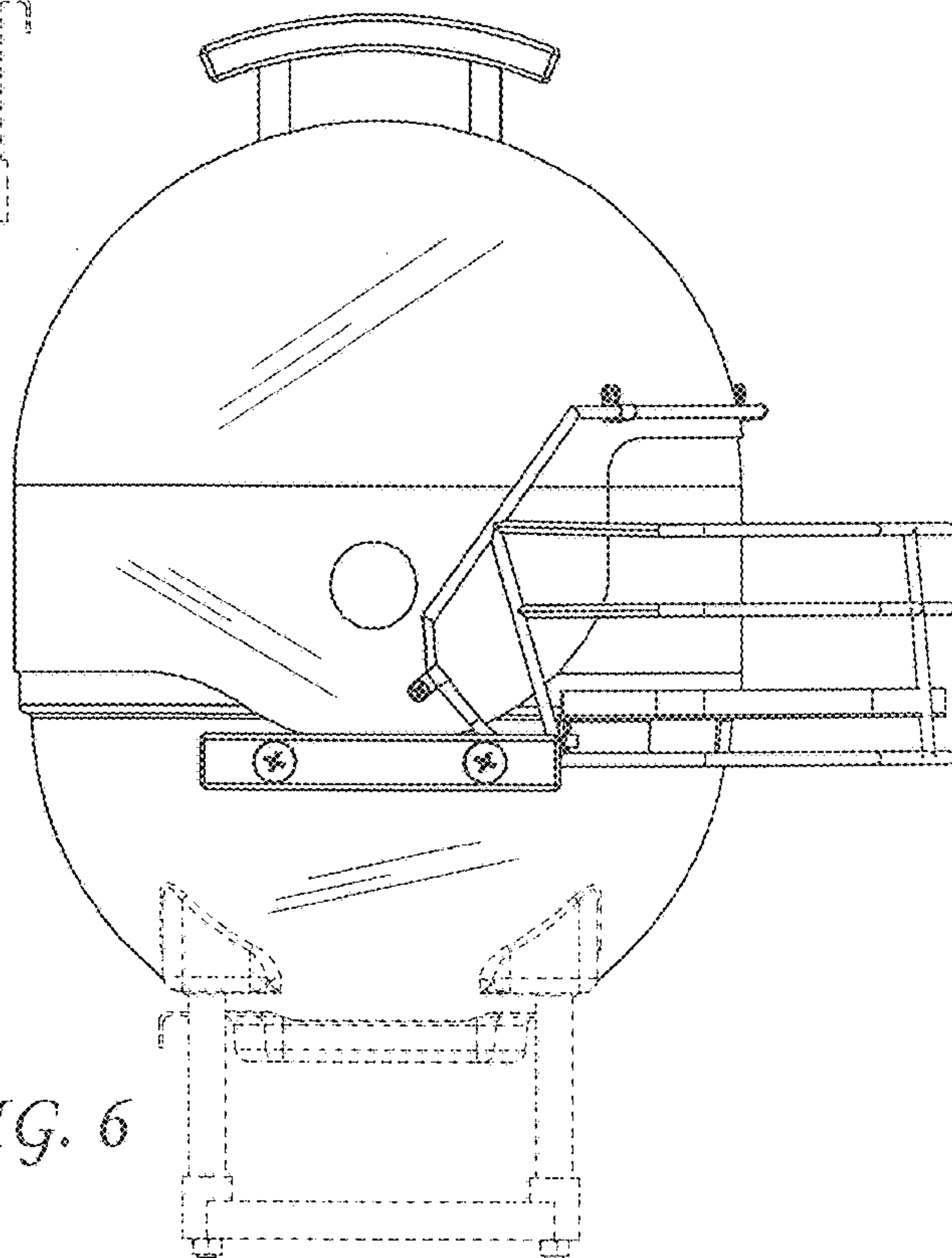


FIG. 6

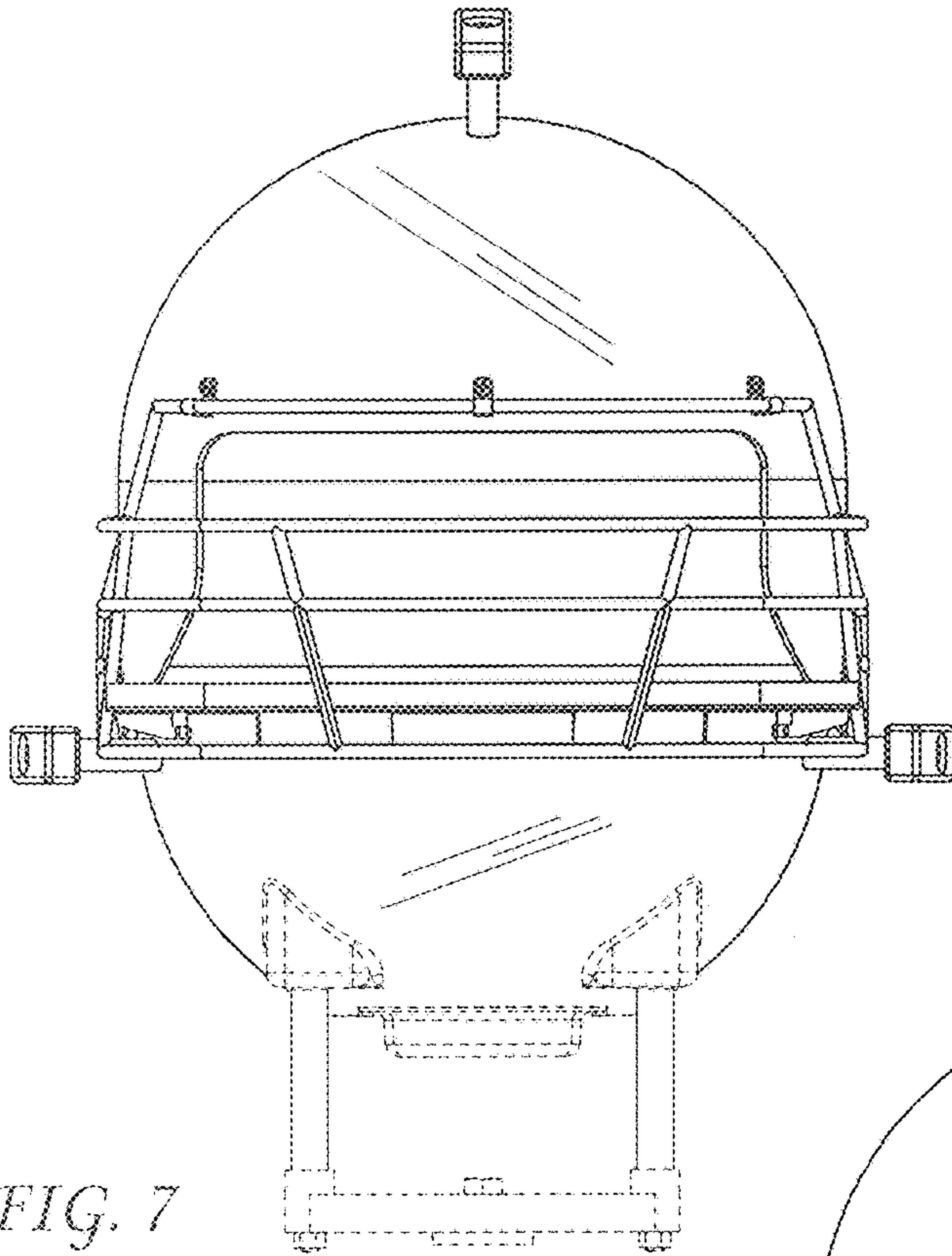


FIG. 7

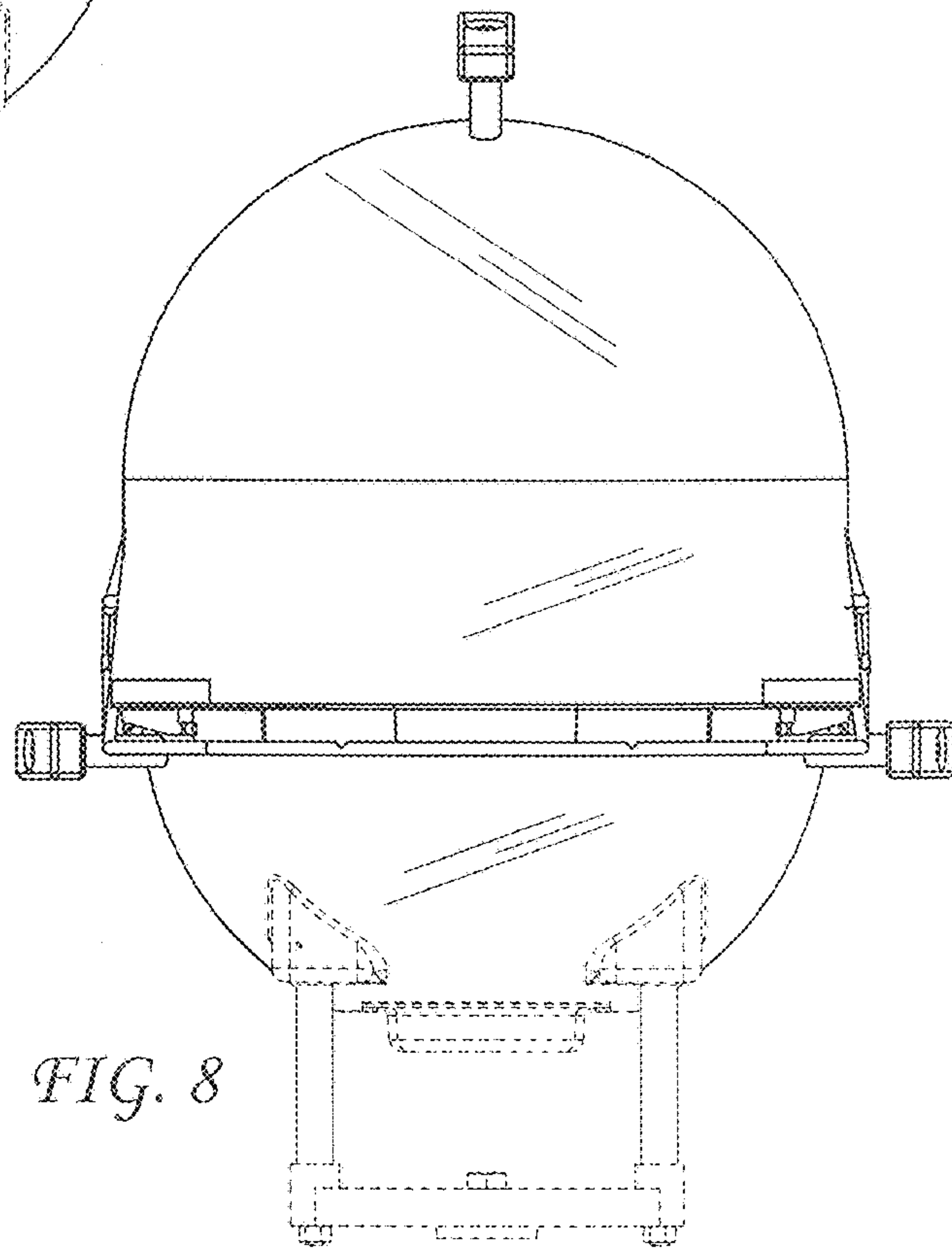


FIG. 8