



US00D779869S

(12) **United States Design Patent** (10) **Patent No.:** **US D779,869 S**
Shaw (45) **Date of Patent:** **** Feb. 28, 2017**

(54) **LACROSSE RACKET HEAD CHAIR**

D683,559 S * 6/2013 Weber D6/716
D729,564 S * 5/2015 Robins D6/716
D750,928 S * 3/2016 Line D6/716.4
2012/0277038 A1* 11/2012 Chung A63B 59/20
473/513

(71) Applicant: **Bryn Edward Shaw**, Eldersburg, MD
(US)

(72) Inventor: **Bryn Edward Shaw**, Eldersburg, MD
(US)

* cited by examiner

(**) Term: **14 Years**

Primary Examiner — Eric Goodman

Assistant Examiner — Fritzgerald Butac

(21) Appl. No.: **29/520,041**

(74) *Attorney, Agent, or Firm* — Dunlap Bennett &
Ludwig PLLC

(22) Filed: **Mar. 10, 2015**

(51) **LOC (10) Cl.** **06-04**

(57) **CLAIM**

(52) **U.S. Cl.**

The ornamental design for a lacrosse racket head chair, as
shown and described.

USPC **D6/718.18**; D6/719.1

(58) **Field of Classification Search**

DESCRIPTION

USPC D6/375, 368, 716; D21/398, 823

CPC D05B 1/02; A47C 31/02; A63B 59/20;

A63B 60/10; A63B 71/20; B29C 45/20

See application file for complete search history.

FIG. 1 is an isometric view of a lacrosse racket head chair,
shown in a folded position for storage;
FIG. 2 is an isometric view thereof;
FIG. 3 is a front elevation view thereof;
FIG. 4 is a rear elevation view thereof;
FIG. 5 is a left side elevation view thereof; the right side
view being a mirror image thereof;
FIG. 6 is a top plan view thereof; and,
FIG. 7 is a bottom plan view thereof.

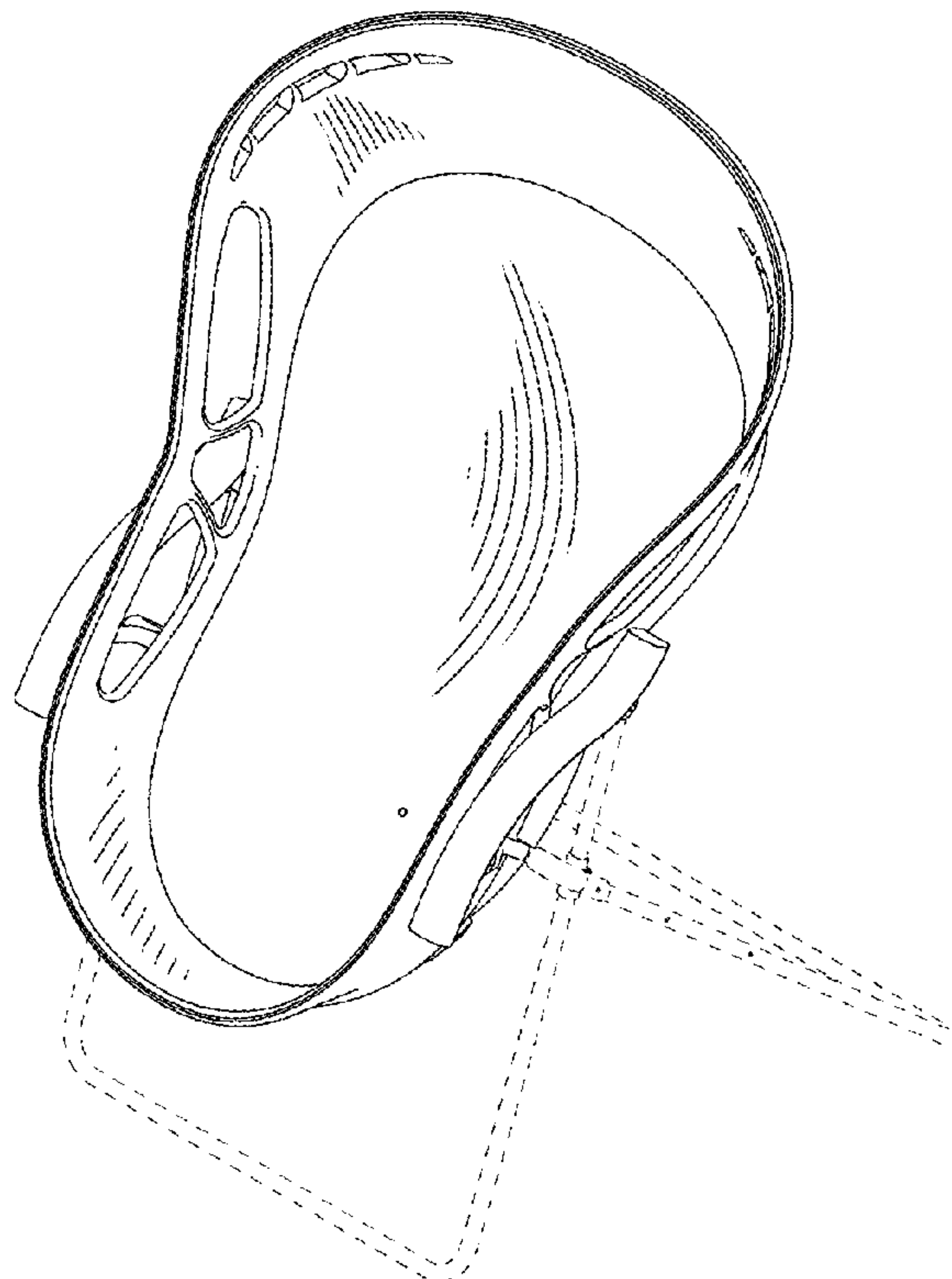
The broken lines shown in the drawings illustrate portions of
the lacrosse racket head chair that form no part of the
claimed design.

(56) **References Cited**

U.S. PATENT DOCUMENTS

D294,900 S * 3/1988 Willingham D6/596
D394,164 S * 5/1998 Safrit D6/356
D404,928 S * 2/1999 Safrit D6/356
D405,971 S * 2/1999 Grimsrud D6/375
D433,828 S * 11/2000 Safrit D6/356
D444,183 S * 6/2001 Hochstrasser D21/398
D528,317 S * 9/2006 Tseng D6/368
D552,205 S * 10/2007 Peterson D21/803
D554,386 S * 11/2007 Nobles D6/366

1 Claim, 3 Drawing Sheets



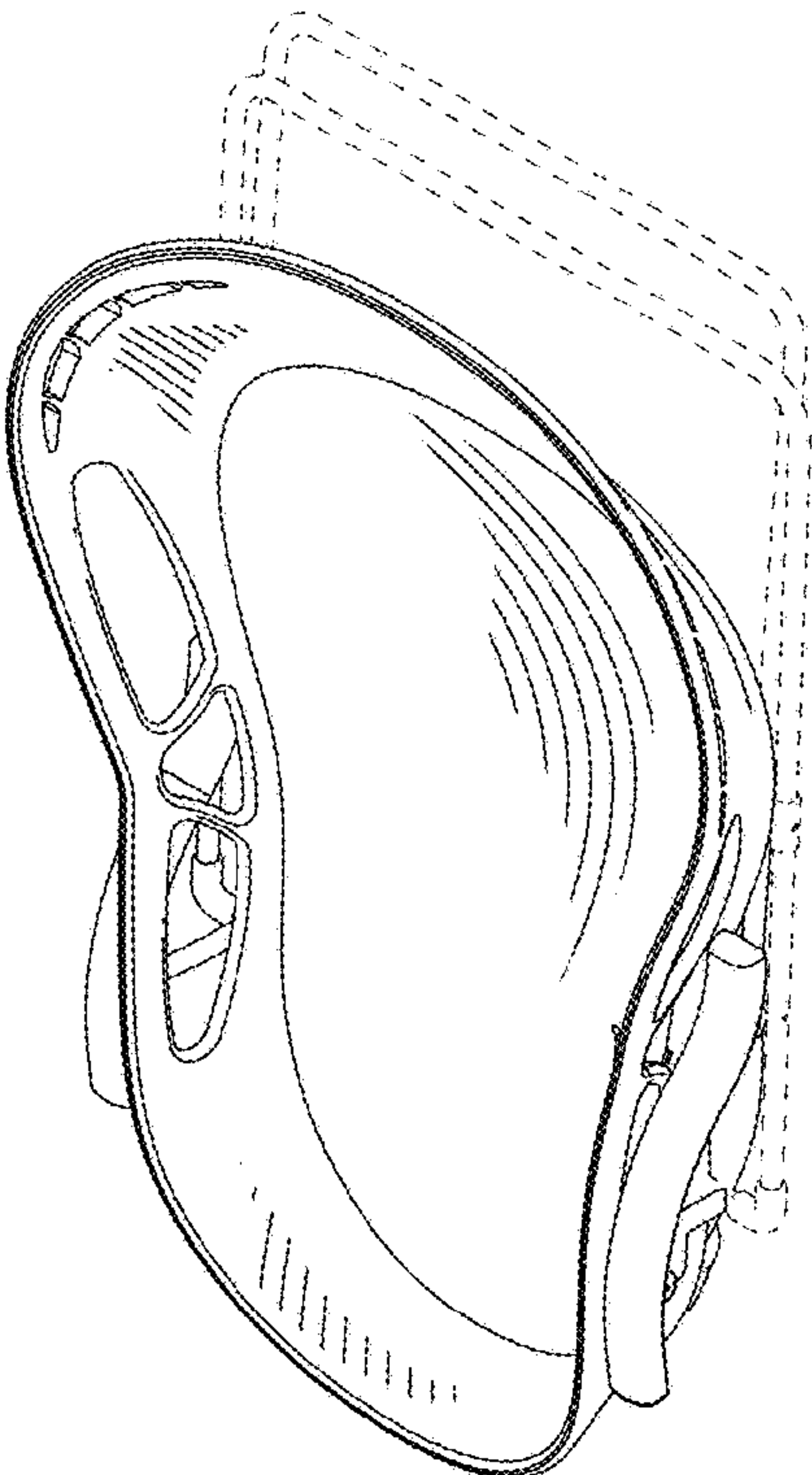


FIG. 1

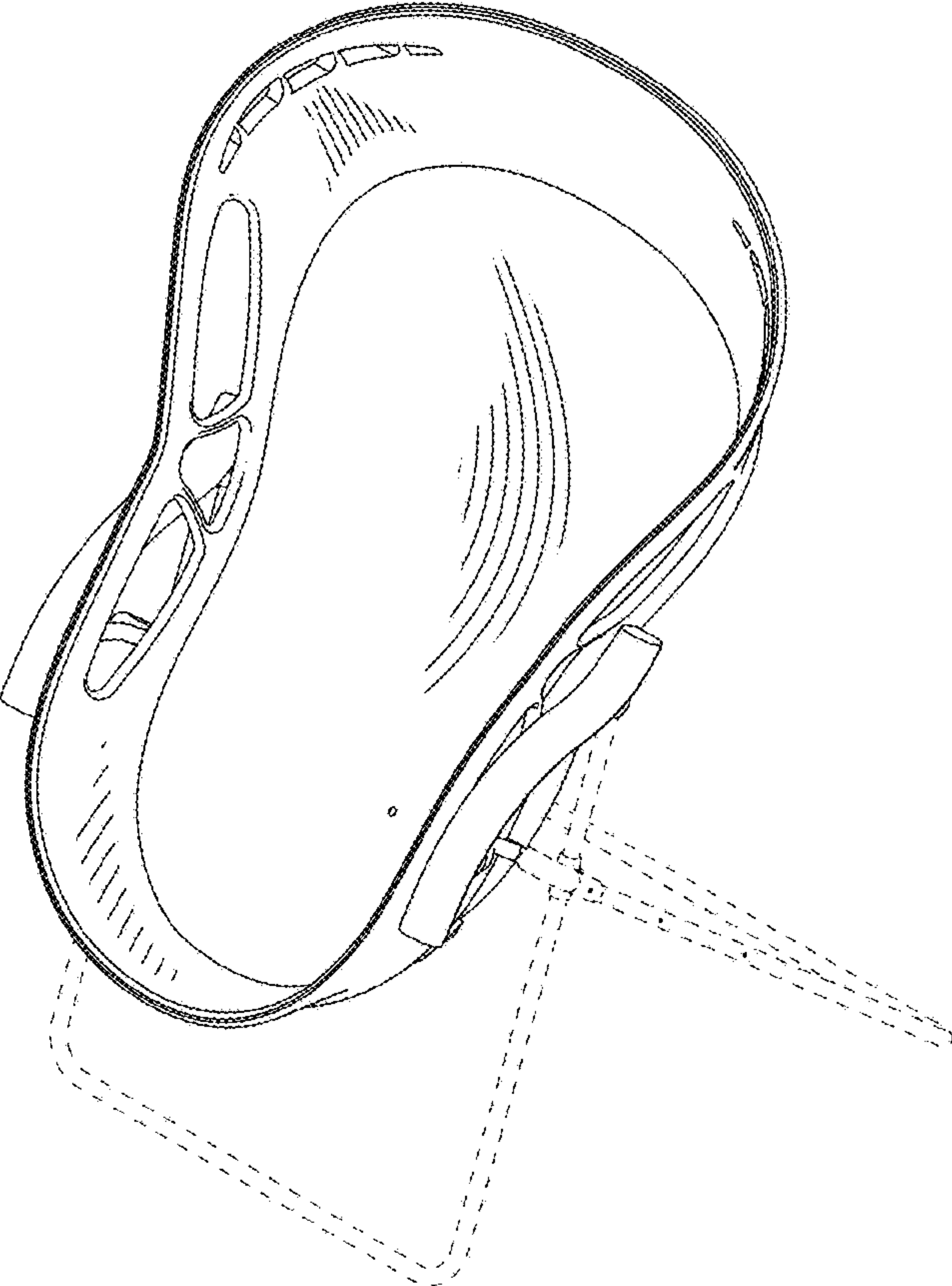


FIG. 2

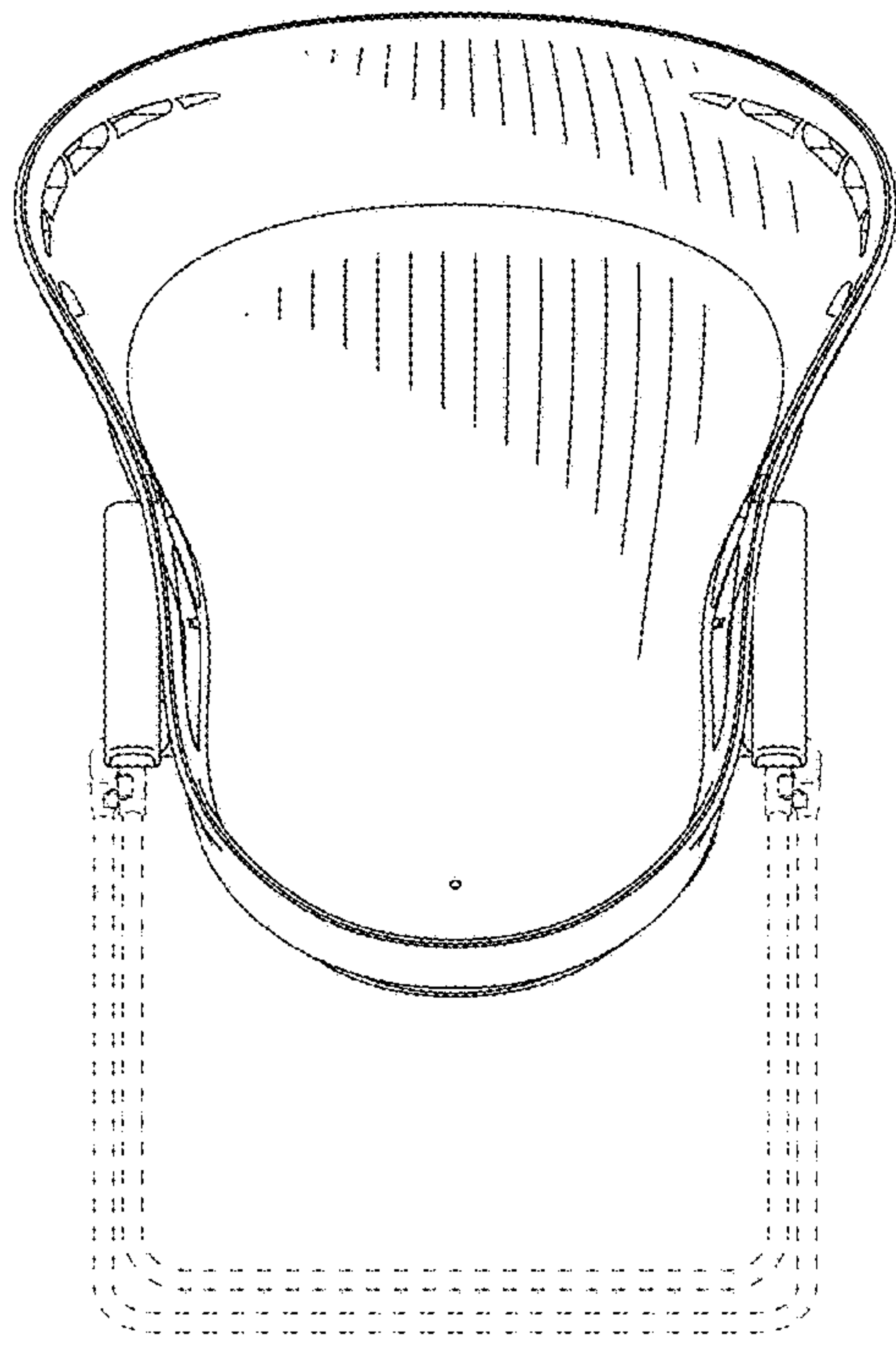


FIG. 3

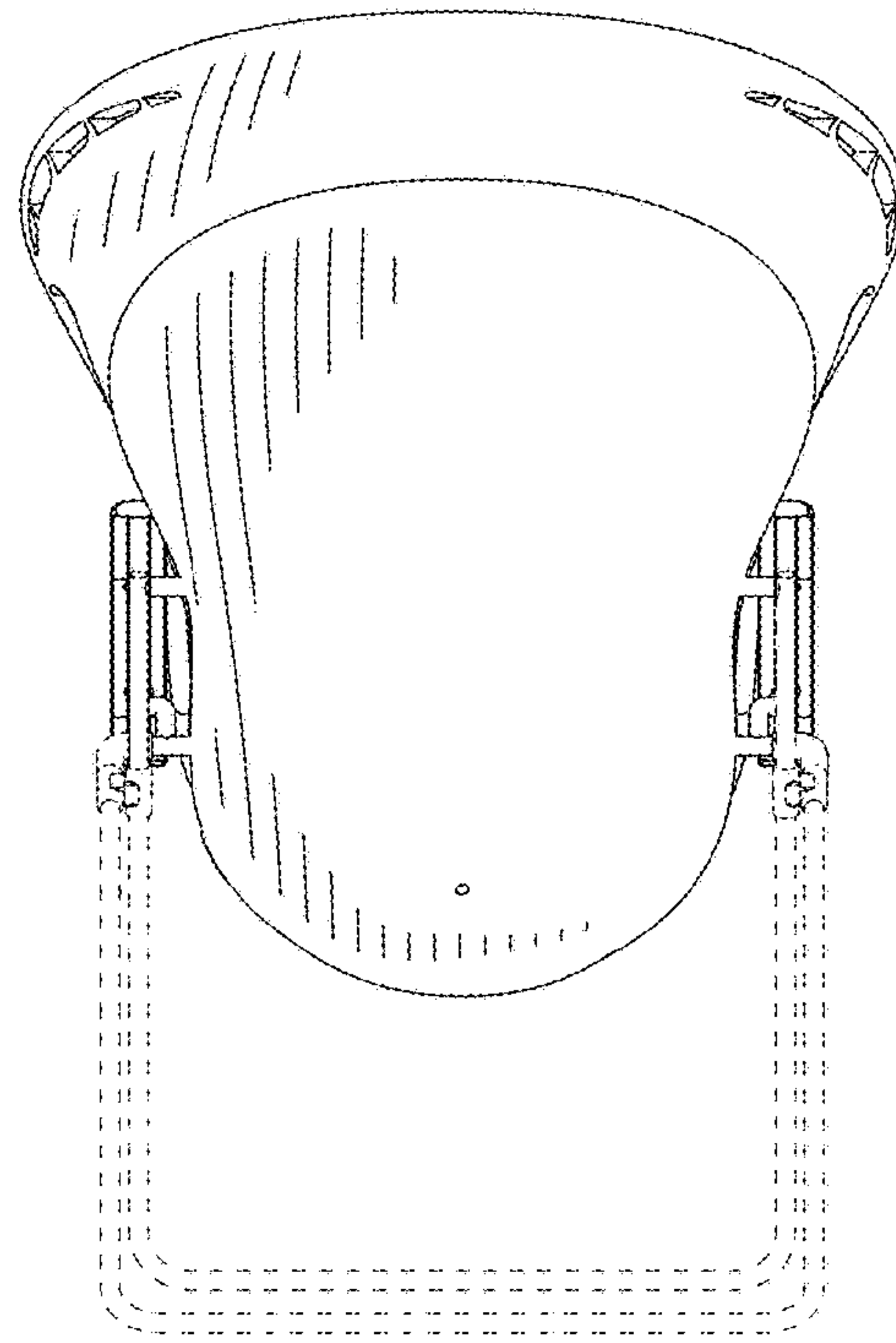


FIG. 4

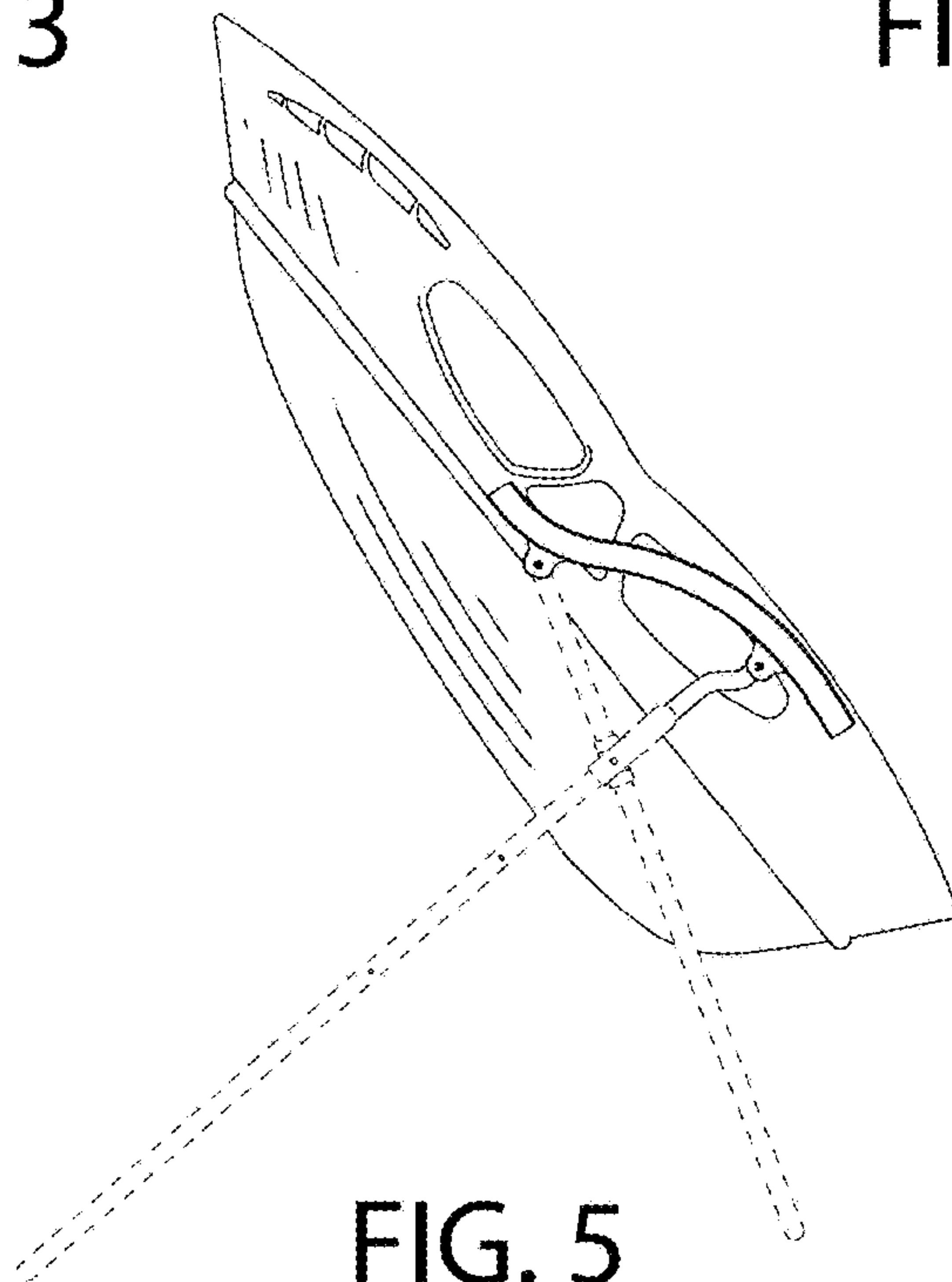


FIG. 5

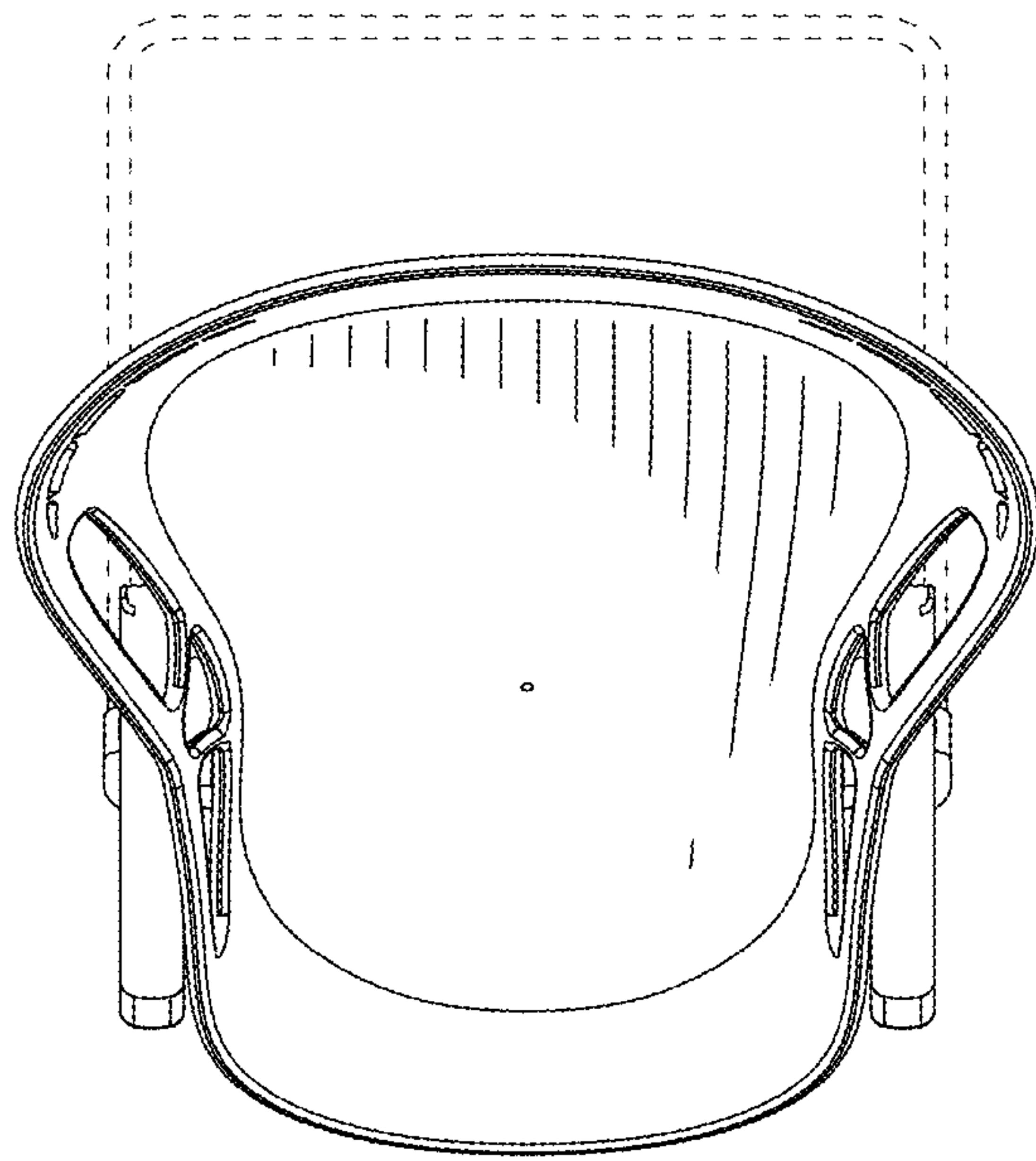


FIG. 6

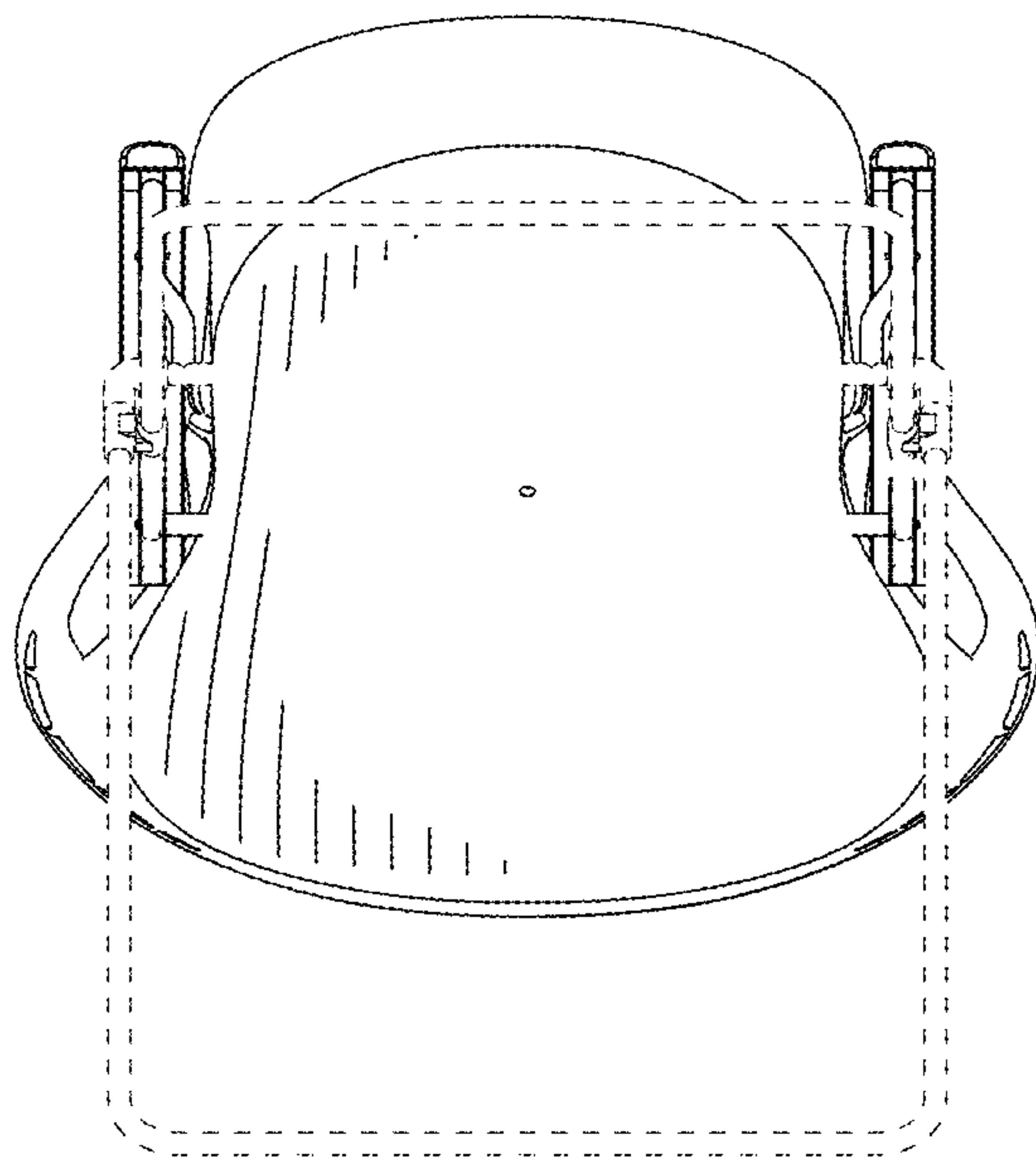


FIG. 7