



US00D779868S

(12) **United States Design Patent**
Zhu

(10) **Patent No.:** **US D779,868 S**

(45) **Date of Patent:** **** Feb. 28, 2017**

- (54) **HEAVY DUTY STEEL BED FRAME**
- (71) Applicant: **Hongyan Zhu**, Dongguan (CN)
- (72) Inventor: **Hongyan Zhu**, Dongguan (CN)
- (**) Term: **15 Years**
- (21) Appl. No.: **29/547,688**
- (22) Filed: **Dec. 7, 2015**
- (51) **LOC (10) Cl.** **06-06**
- (52) **U.S. Cl.**
USPC **D6/718**
- (58) **Field of Classification Search**
USPC D6/382, 383, 392, 718, 718.31
CPC A47C 19/00; A47C 19/005; A47C 19/021;
A47C 19/04
See application file for complete search history.

(56) **References Cited**

U.S. PATENT DOCUMENTS

- D30,326 S * 3/1899 Camp 5/208
- 3,100,304 A * 8/1963 Brandlin A47C 19/04
5/174
- 3,781,930 A * 1/1974 Spitz A47C 19/04
5/181
- 3,952,345 A * 4/1976 Spitz A47C 19/005
5/200.1
- 4,038,710 A * 8/1977 Tambascio A47C 19/04
5/181
- 4,070,718 A * 1/1978 Spitz A47C 19/005
5/193
- 4,103,374 A * 8/1978 Knoke A47C 19/04
5/176.1
- 4,218,789 A * 8/1980 Grassi A47C 19/005
5/201
- 4,430,763 A * 2/1984 Whitehead A47C 19/025
403/252

- 4,536,904 A * 8/1985 Whitehead A47C 19/005
248/222.11
- 5,996,145 A * 12/1999 Taylor A47C 19/005
5/184
- 6,397,412 B1 * 6/2002 Quintile A61G 7/1003
4/560.1
- 7,437,783 B2 * 10/2008 Navarro A47C 19/005
5/201
- 7,865,981 B2 * 1/2011 Harrow A47C 19/005
5/200.1
- 7,954,184 B2 * 6/2011 Polevoy A47C 19/005
2/132
- 8,707,478 B2 * 4/2014 Jin A47C 19/04
5/112
- 8,832,876 B1 * 9/2014 Oh A47C 17/64
5/116
- 9,131,779 B2 * 9/2015 Jin A47C 19/04
- 9,247,825 B2 * 2/2016 Polevoy A47C 19/005
- 9,414,690 B2 * 8/2016 Harrow A47C 19/122
- 2003/0200608 A1 * 10/2003 Polevoy A47C 19/005
5/201

(Continued)

Primary Examiner — Cathron Brooks

(74) Attorney, Agent, or Firm — Shimokaji IP

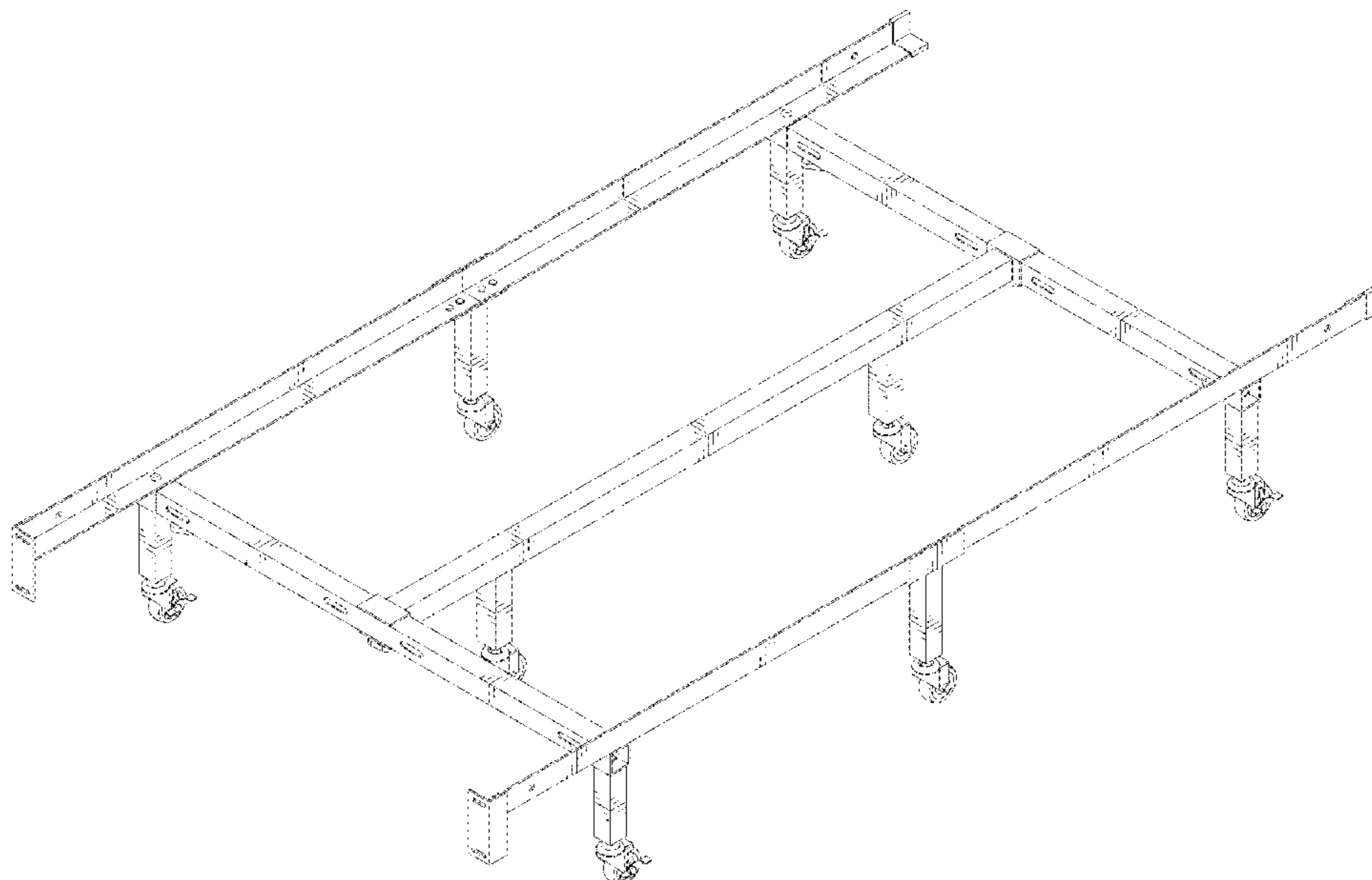
(57) **CLAIM**

The ornamental design for a heavy duty steel bed frame, as shown and described.

DESCRIPTION

FIG. 1 is a perspective view of a heavy duty steel bed frame showing my new design.
 FIG. 2 is another perspective view thereof.
 FIG. 3 is a front view thereof.
 FIG. 4 is a rear view thereof.
 FIG. 5 is a left end view thereof.
 FIG. 6 is a right end view thereof.
 FIG. 7 is a top view thereof; and,
 FIG. 8 is a bottom view thereof.

1 Claim, 8 Drawing Sheets



(56)

References Cited

U.S. PATENT DOCUMENTS

2005/0278848	A1 *	12/2005	Polevoy	A47C 19/005 5/201
2008/0222802	A1 *	9/2008	Harrow	A47C 19/005 5/286
2009/0133191	A1 *	5/2009	Harrow	A47C 19/04 5/202
2009/0300840	A1 *	12/2009	Polevoy	A47C 19/005 5/200.1
2010/0175186	A1 *	7/2010	Harrow	A47C 19/005 5/400
2011/0094030	A1 *	4/2011	Harrington	A47B 81/005 5/503.1
2014/0208507	A1 *	7/2014	Dwyer	A47C 19/021 5/493
2014/0338125	A1 *	11/2014	Polevoy	A47C 19/005 5/400

* cited by examiner

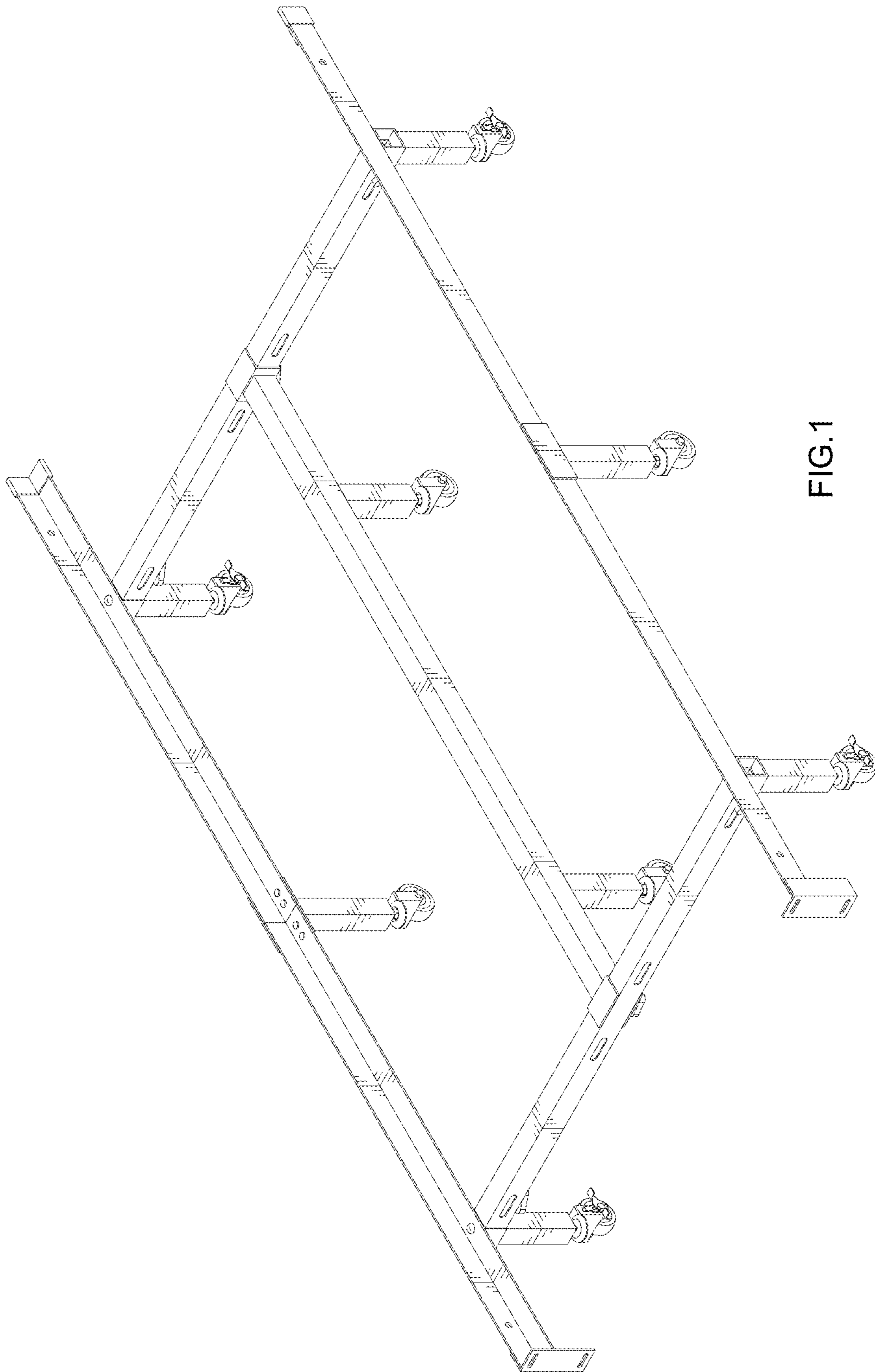


FIG.1

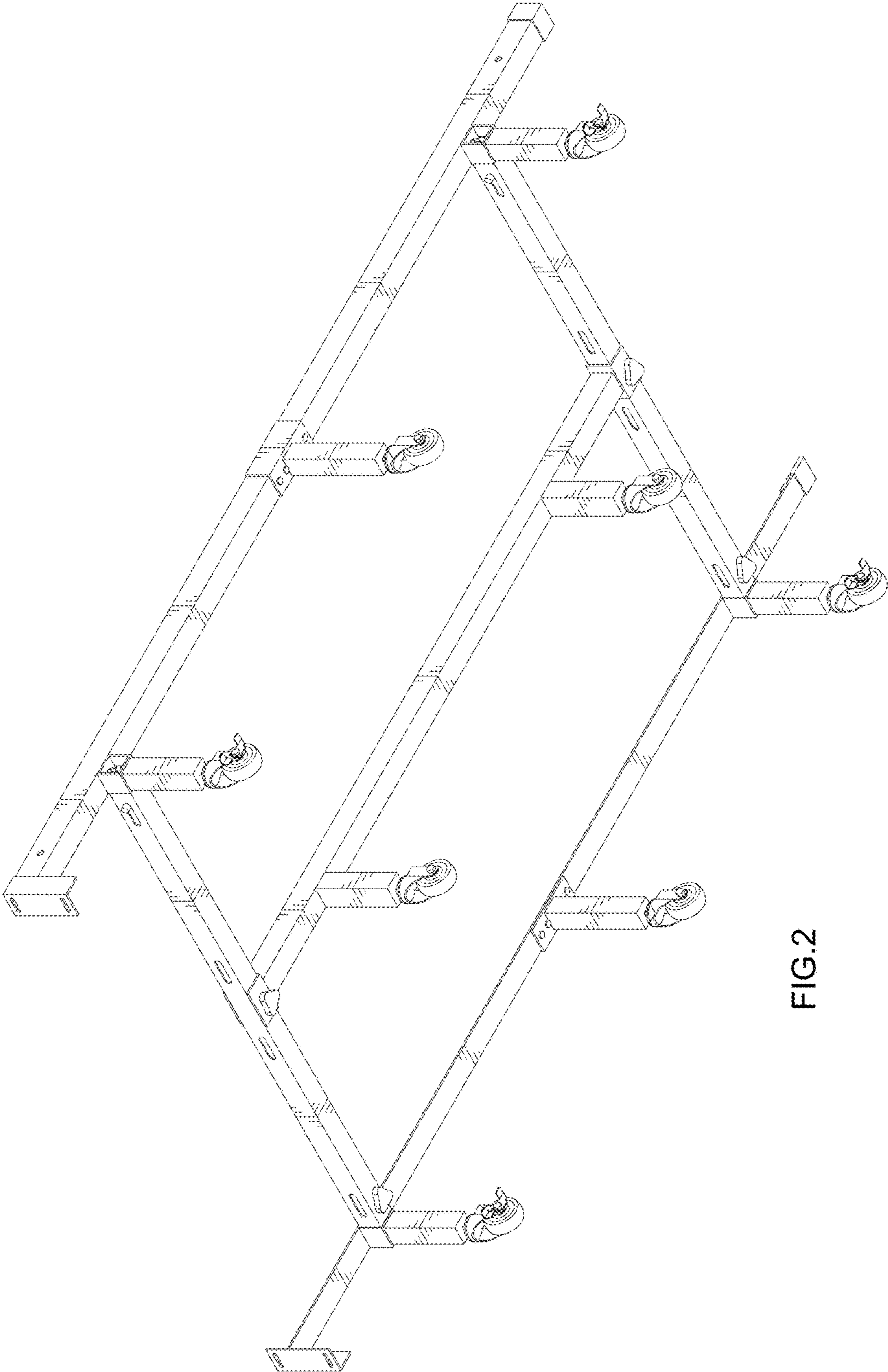


FIG.2

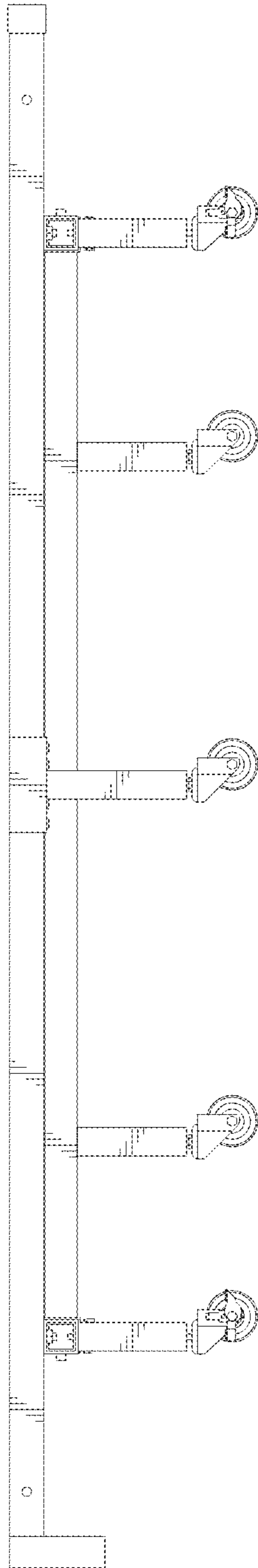


FIG.3

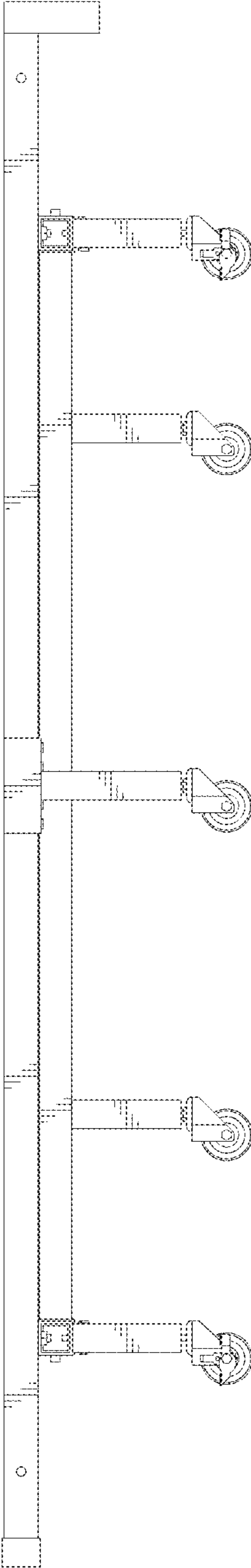


FIG.4

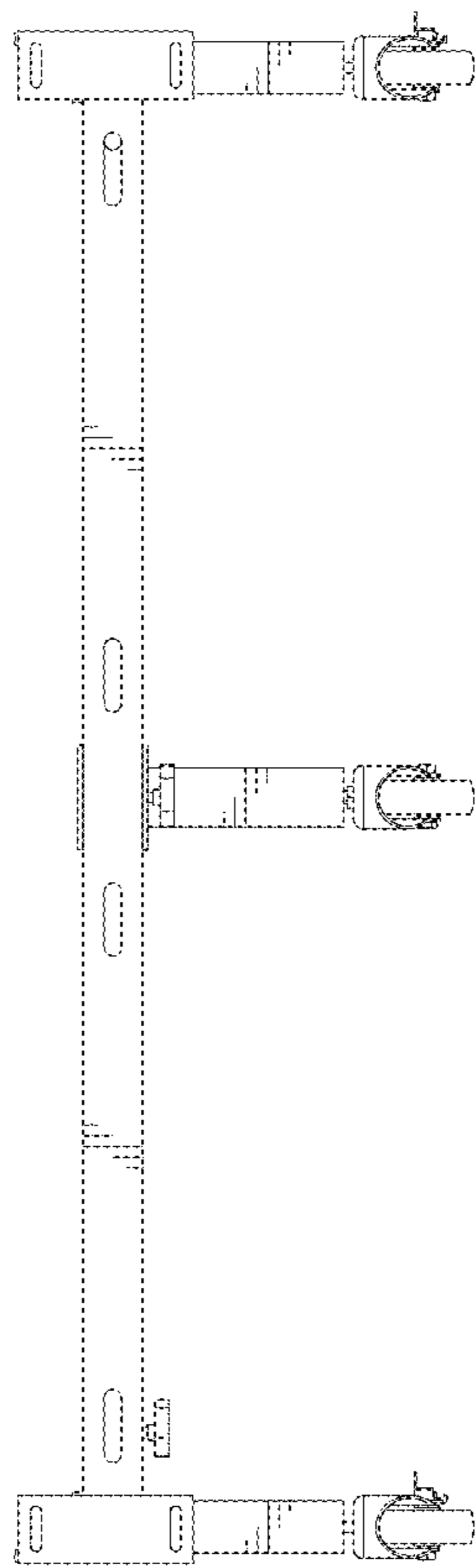


FIG.5

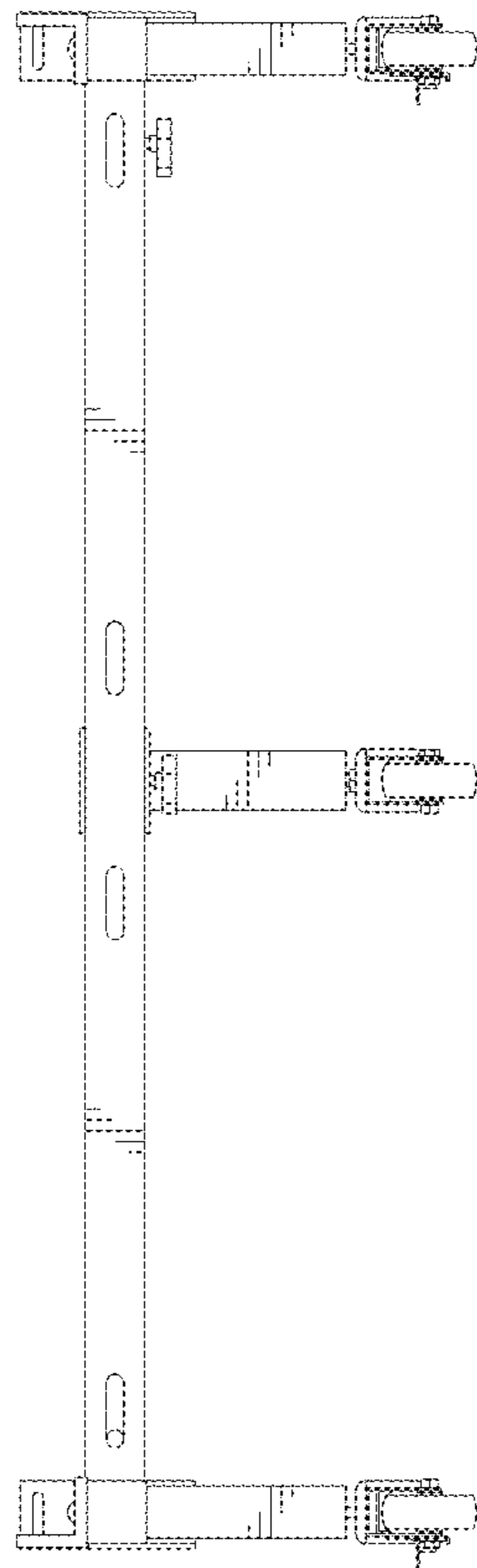


FIG.6

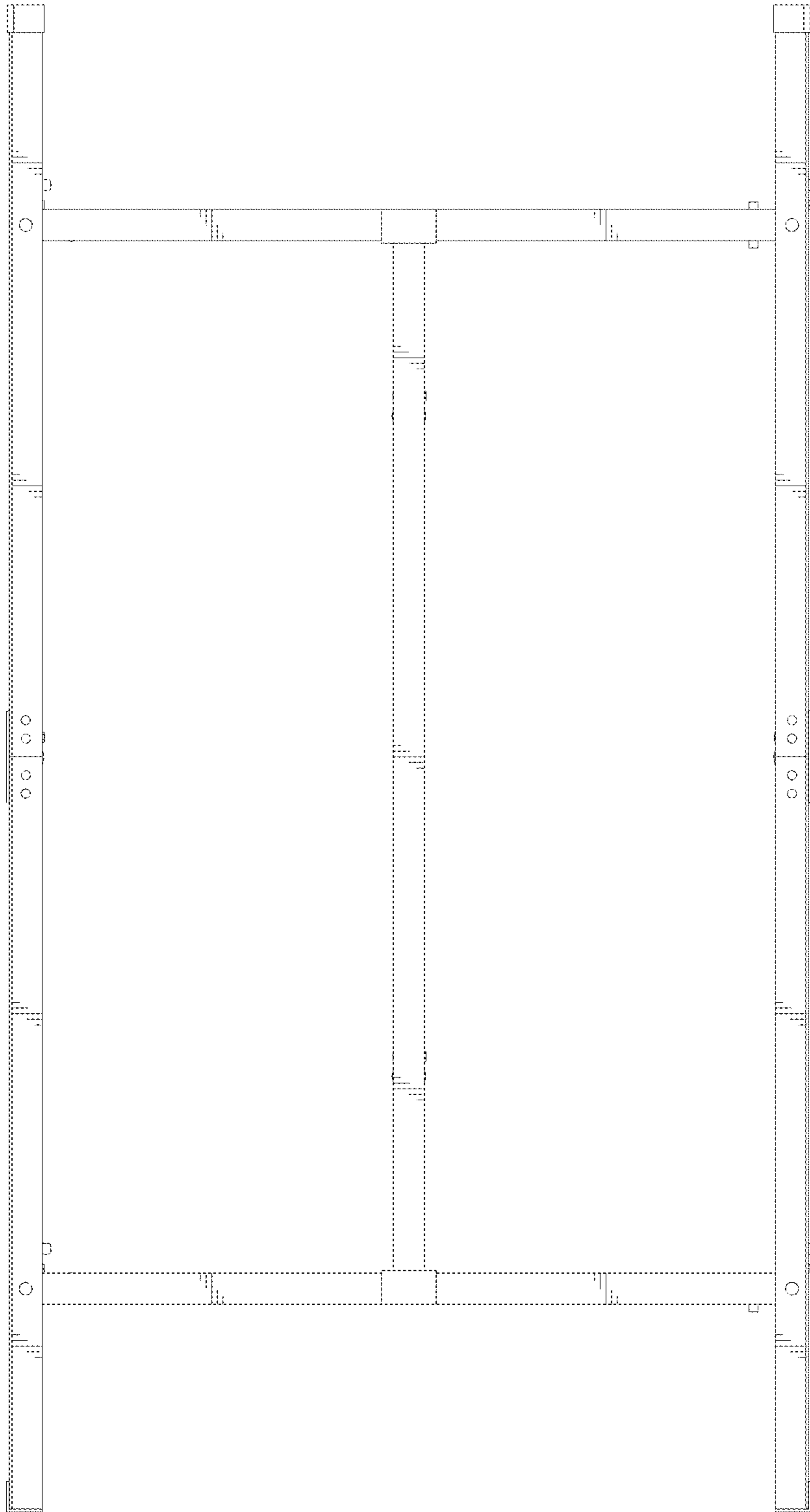


FIG.7

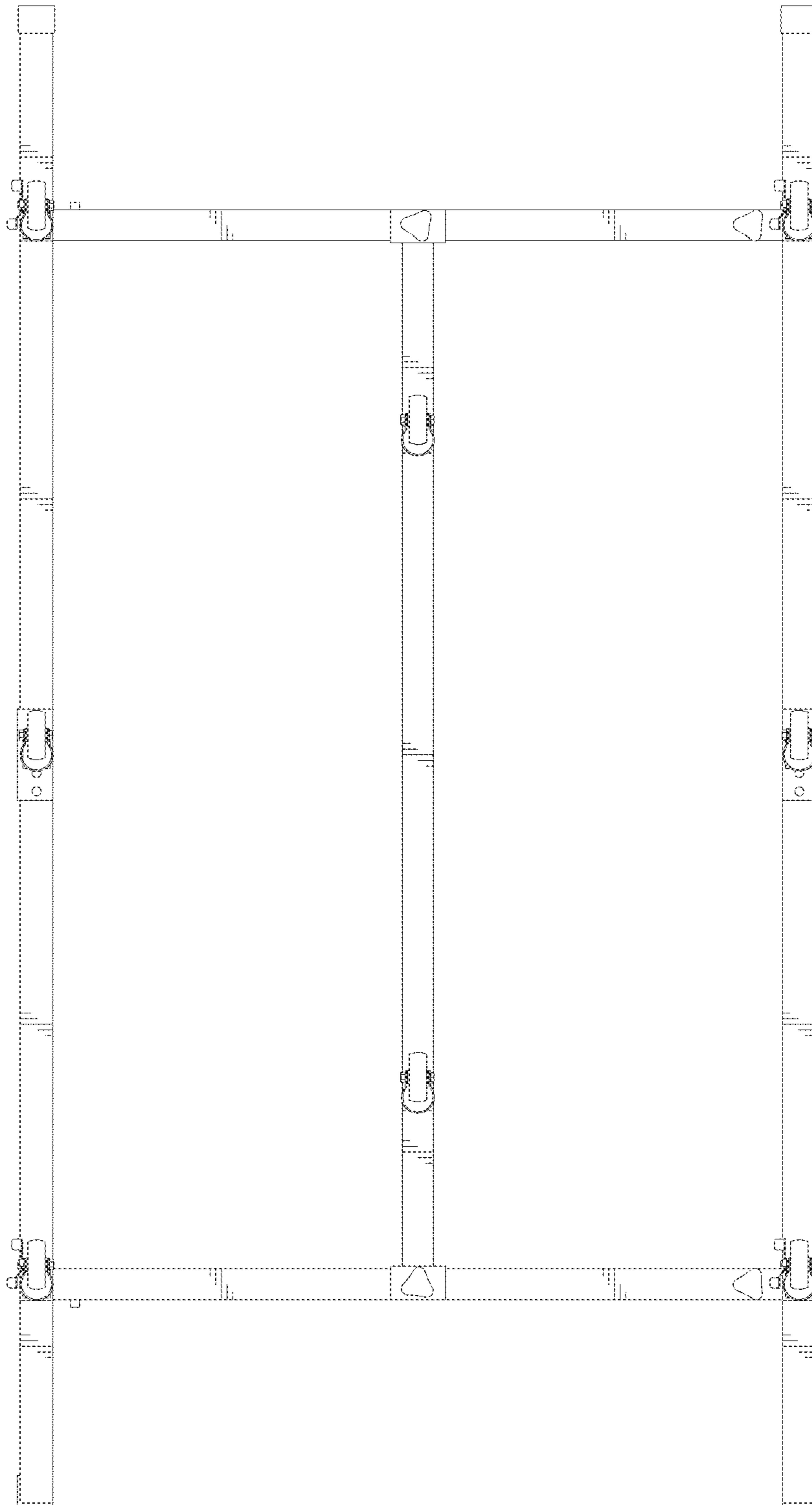


FIG.8