



US00D779866S

(12) **United States Design Patent**
Kubryk

(10) **Patent No.:** **US D779,866 S**

(45) **Date of Patent:** **** Feb. 28, 2017**

(54) **TASK CHAIR**

(71) Applicant: **Isaac Kubryk**, Lockeford, CA (US)

(72) Inventor: **Isaac Kubryk**, Lockeford, CA (US)

(73) Assignee: **Global Allies, LLC**, Lockeford, CA (US)

(**) Term: **15 Years**

(21) Appl. No.: **29/545,789**

(22) Filed: **Nov. 16, 2015**

(51) **LOC (10) Cl.** **06-01**

(52) **U.S. Cl.**
USPC **D6/716.3**

(58) **Field of Classification Search**
USPC D6/356, 364-368, 374, 716; 297/183.6, 297/195.11, 452.24, 452.26, 452.28, 297/452.32-33, 452.37
CPC A47C 7/02; A47C 7/44; A47C 7/46; A47C 7/48; A47C 7/54; A47C 7/386; A47C 7/462; A47C 1/10; A47C 1/031; B60N 2/02; B60N 2/22; B60N 2/44

See application file for complete search history.

(56) **References Cited**

U.S. PATENT DOCUMENTS

D648,158 S * 11/2011 Kubryk D6/366
D664,381 S * 7/2012 Kubryk D6/366

D683,171 S * 5/2013 Kubryk D6/366
D704,465 S * 5/2014 Massaud D6/364
D704,466 S * 5/2014 Massaud D6/364
D717,555 S * 11/2014 Massaud D6/364
D729,563 S * 5/2015 Kubryk D6/716
D730,098 S * 5/2015 Kubryk D6/716
D752,889 S * 4/2016 Bench D6/366
2008/0150337 A1 * 6/2008 Bilak A47C 7/462
297/230.1

* cited by examiner

Primary Examiner — Manpreet Matharu

Assistant Examiner — Keith Wilson

(74) *Attorney, Agent, or Firm* — Audrey A. Millemann; Weintraub Tobin

(57) **CLAIM**

The ornamental design for a task chair, as shown and described.

DESCRIPTION

FIG. 1 is a perspective view of a task chair, looking toward the right front corner, showing my new design;

FIG. 2 is a front view thereof;

FIG. 3 is a right side view thereof;

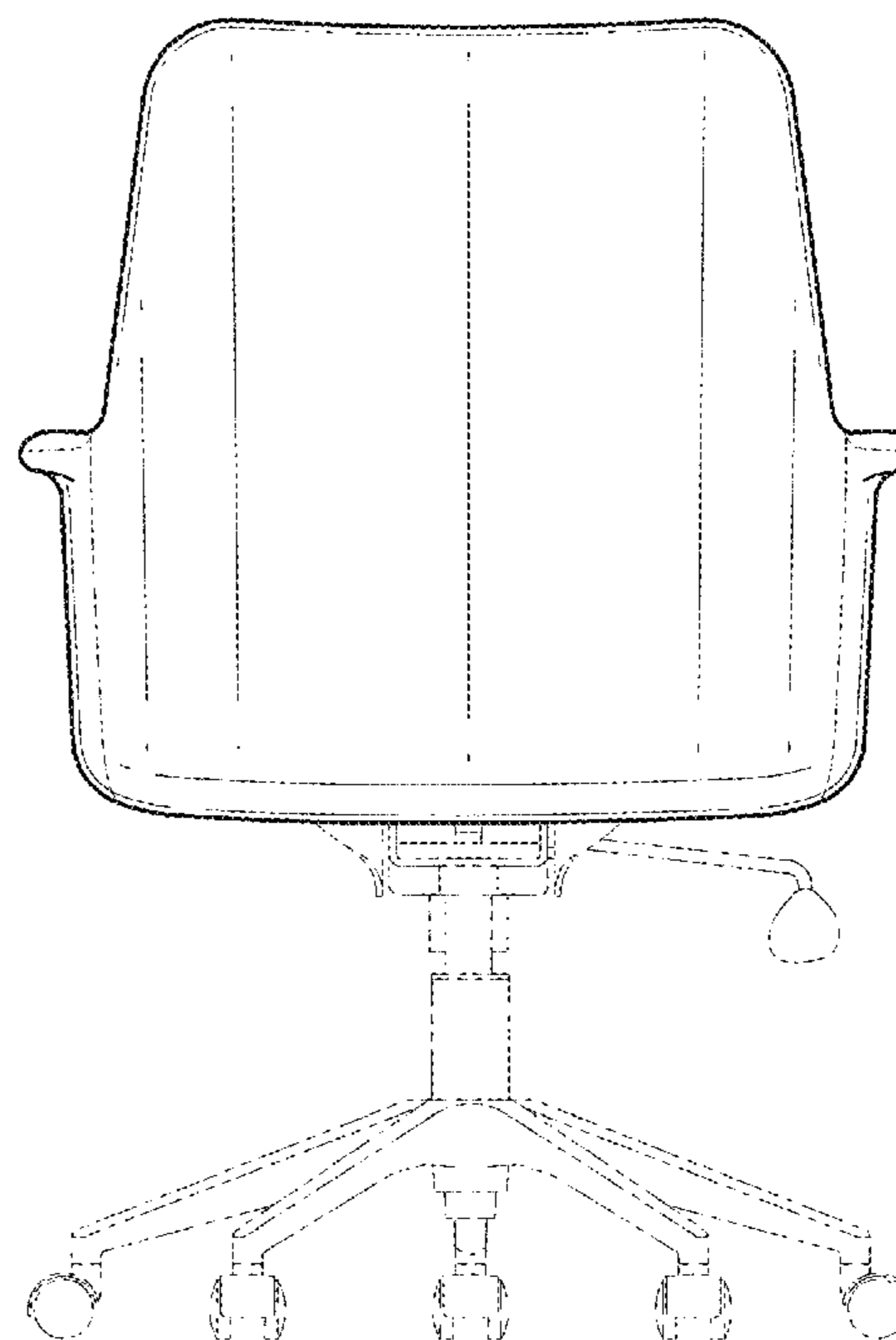
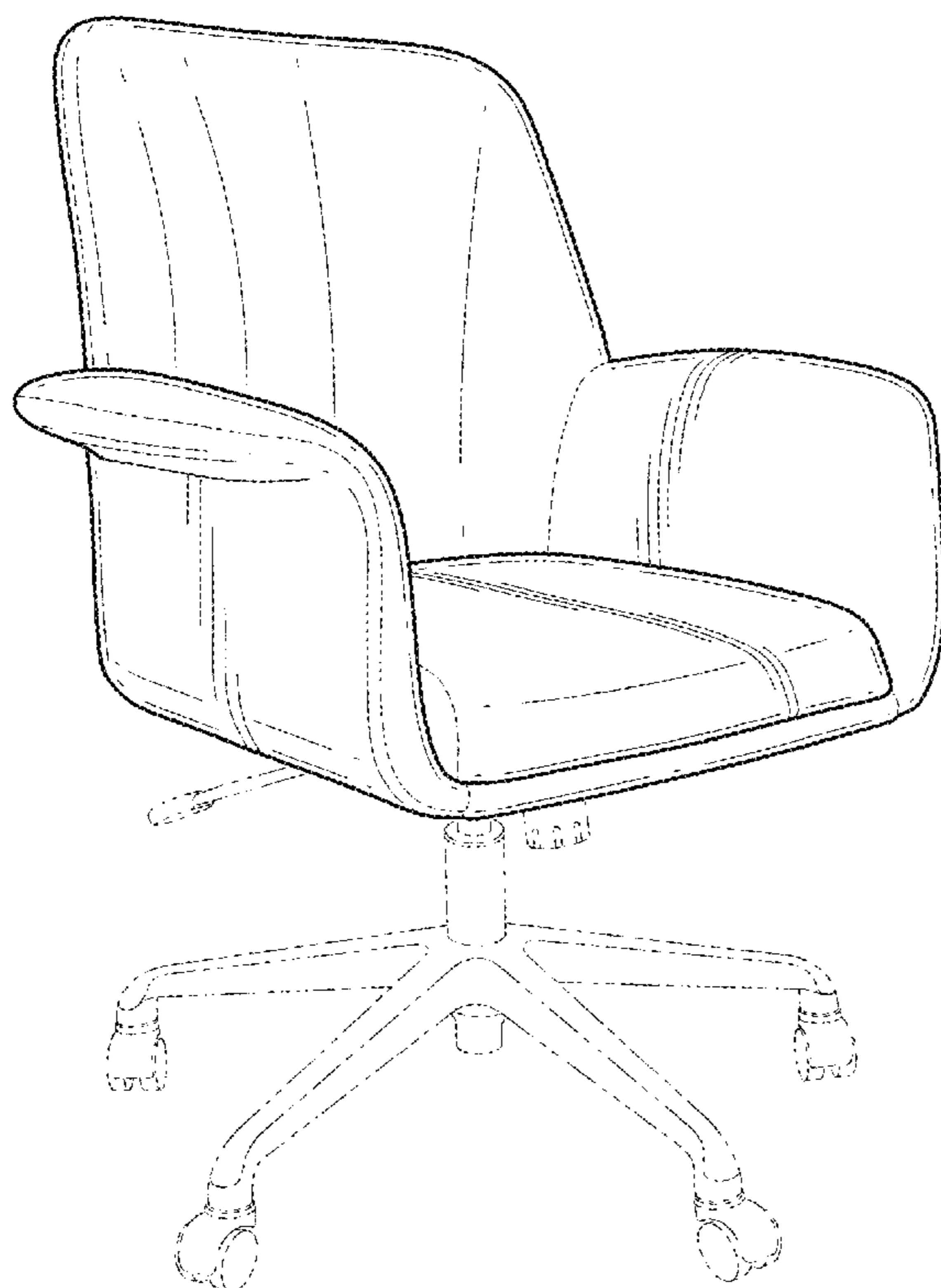
FIG. 4 is a back view thereof;

FIG. 5 is a top view thereof; and,

FIG. 6 is a bottom view thereof.

The long, short, short, long dash line represents environment only and forms no part of the claimed design.

1 Claim, 5 Drawing Sheets



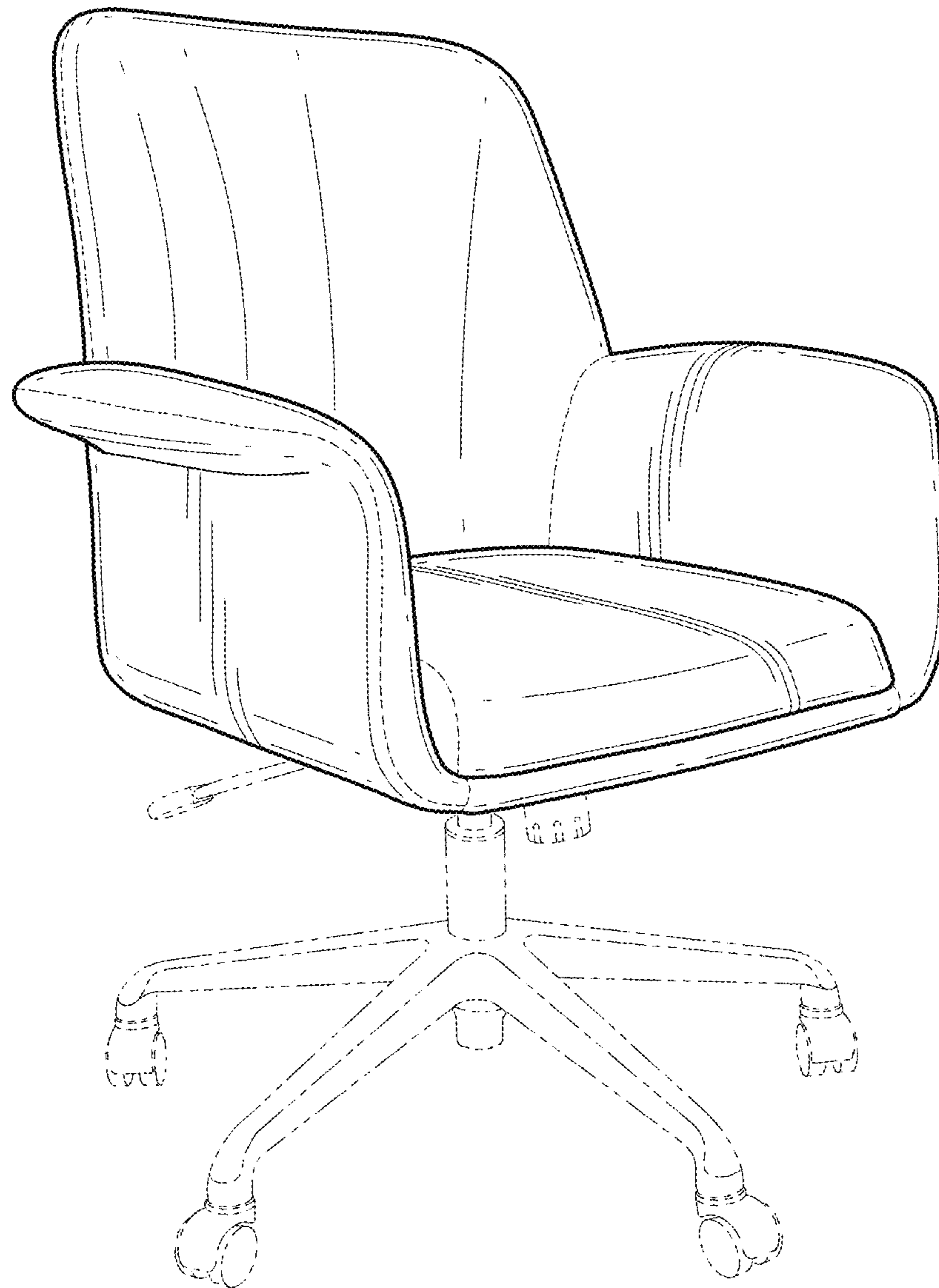


FIG. 1

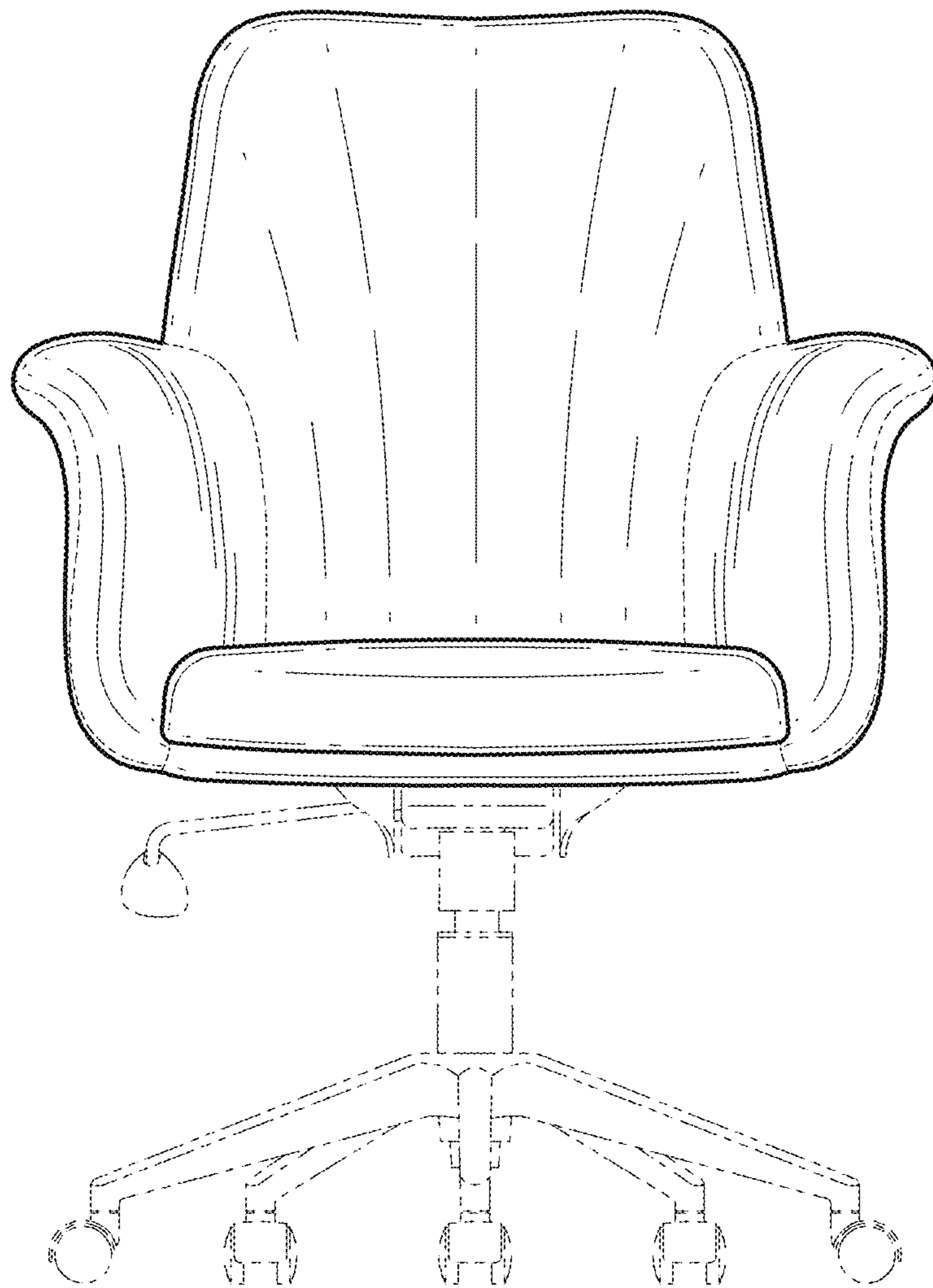


FIG. 2

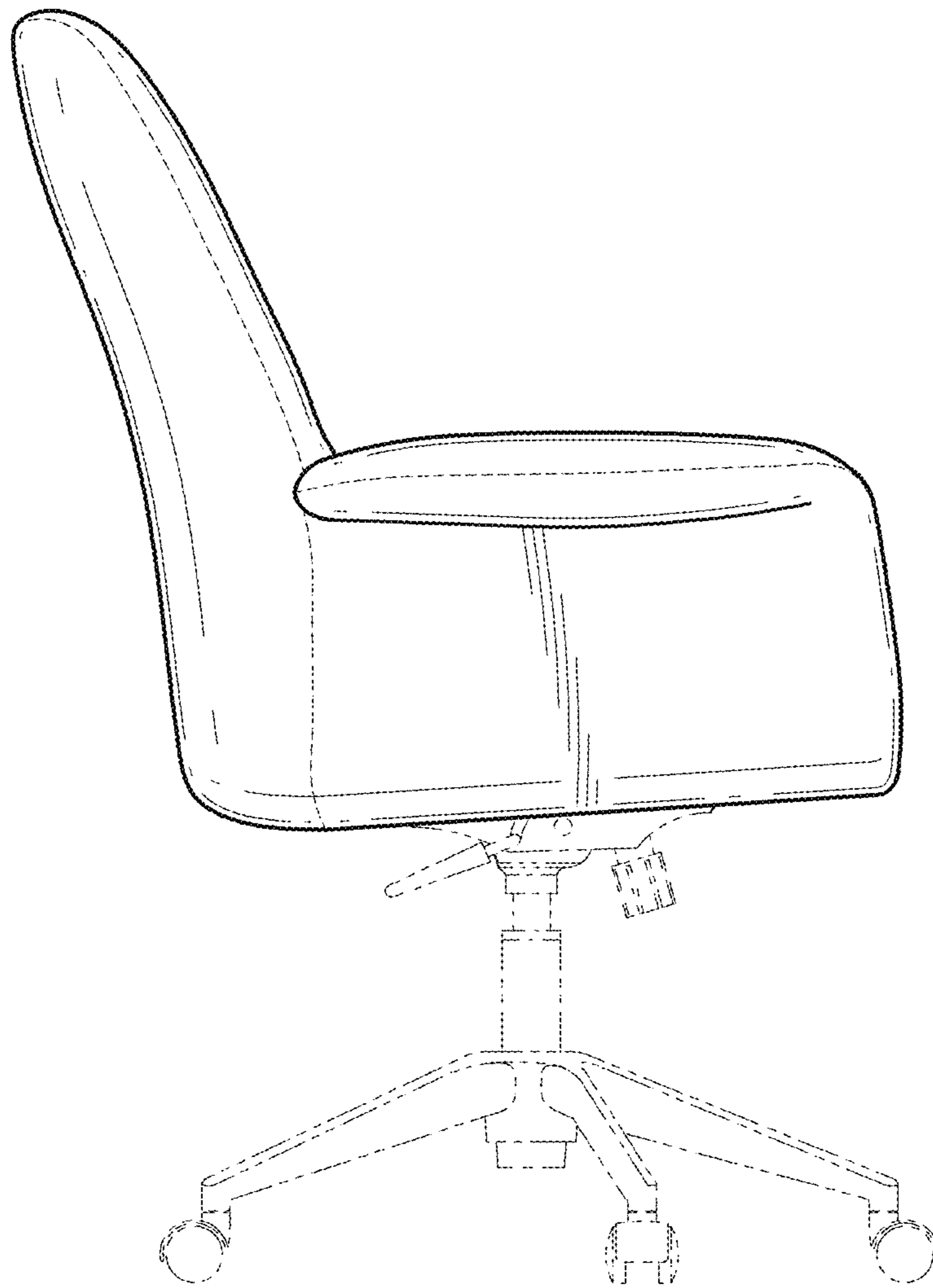


FIG. 3

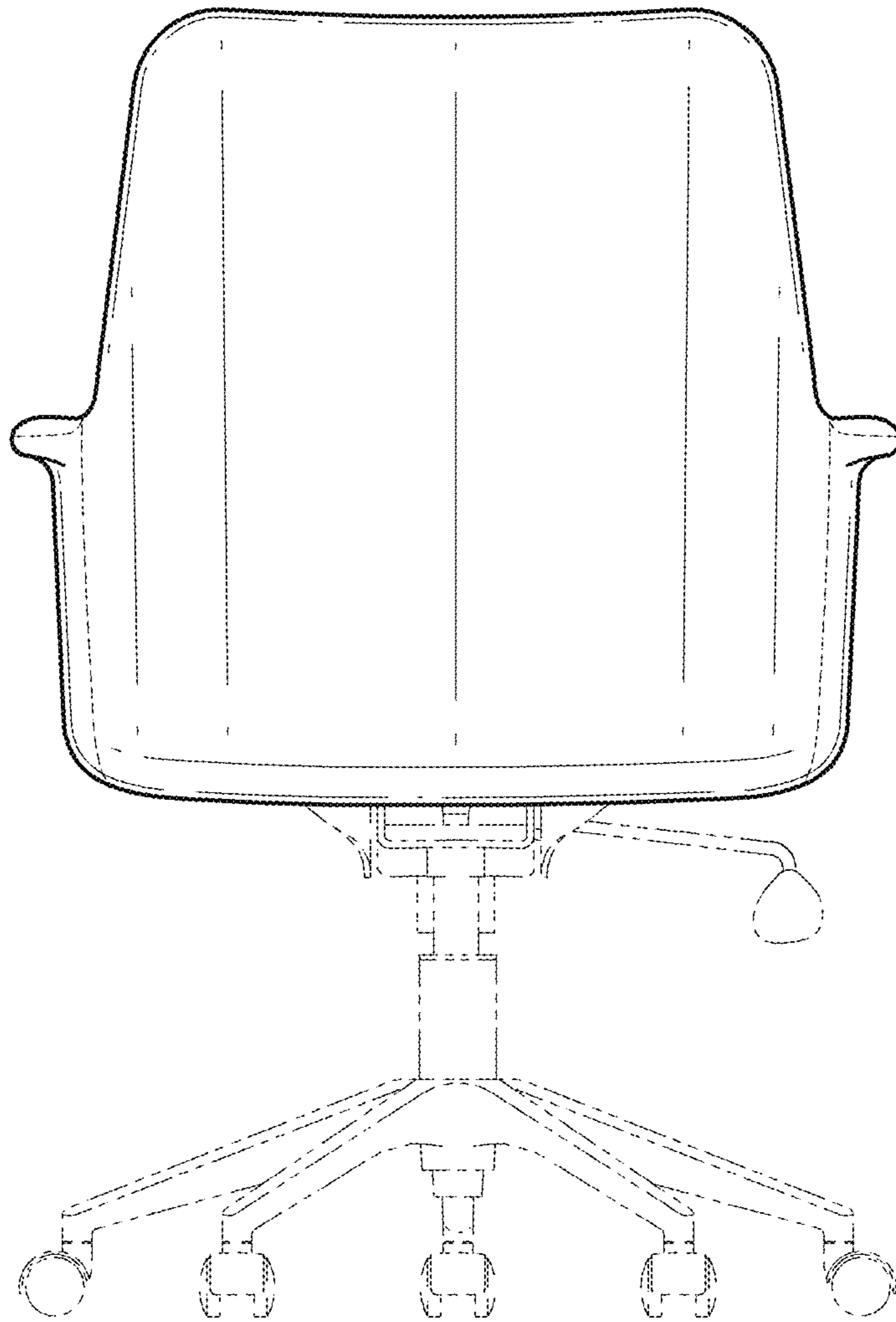


FIG. 4

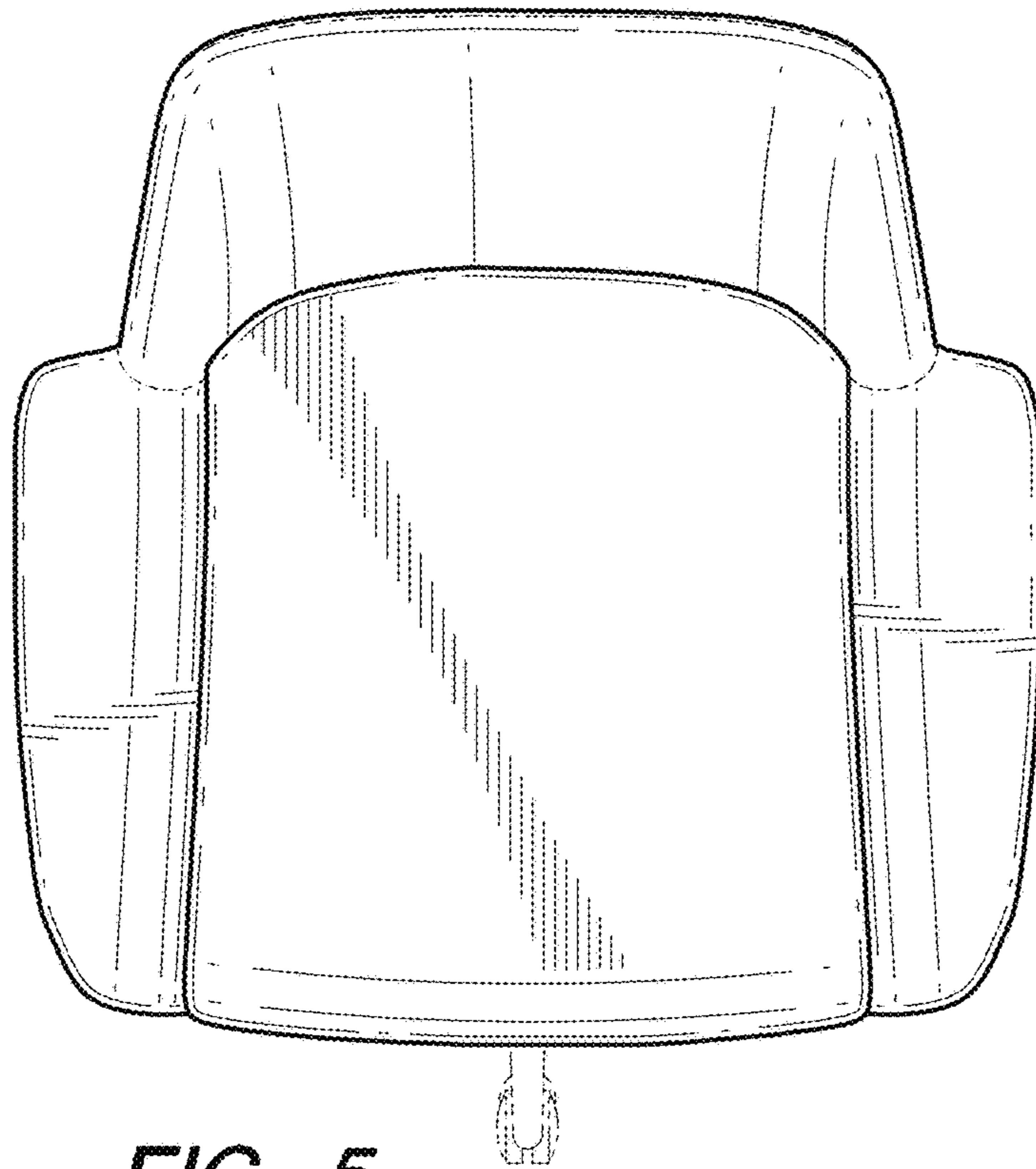


FIG. 5

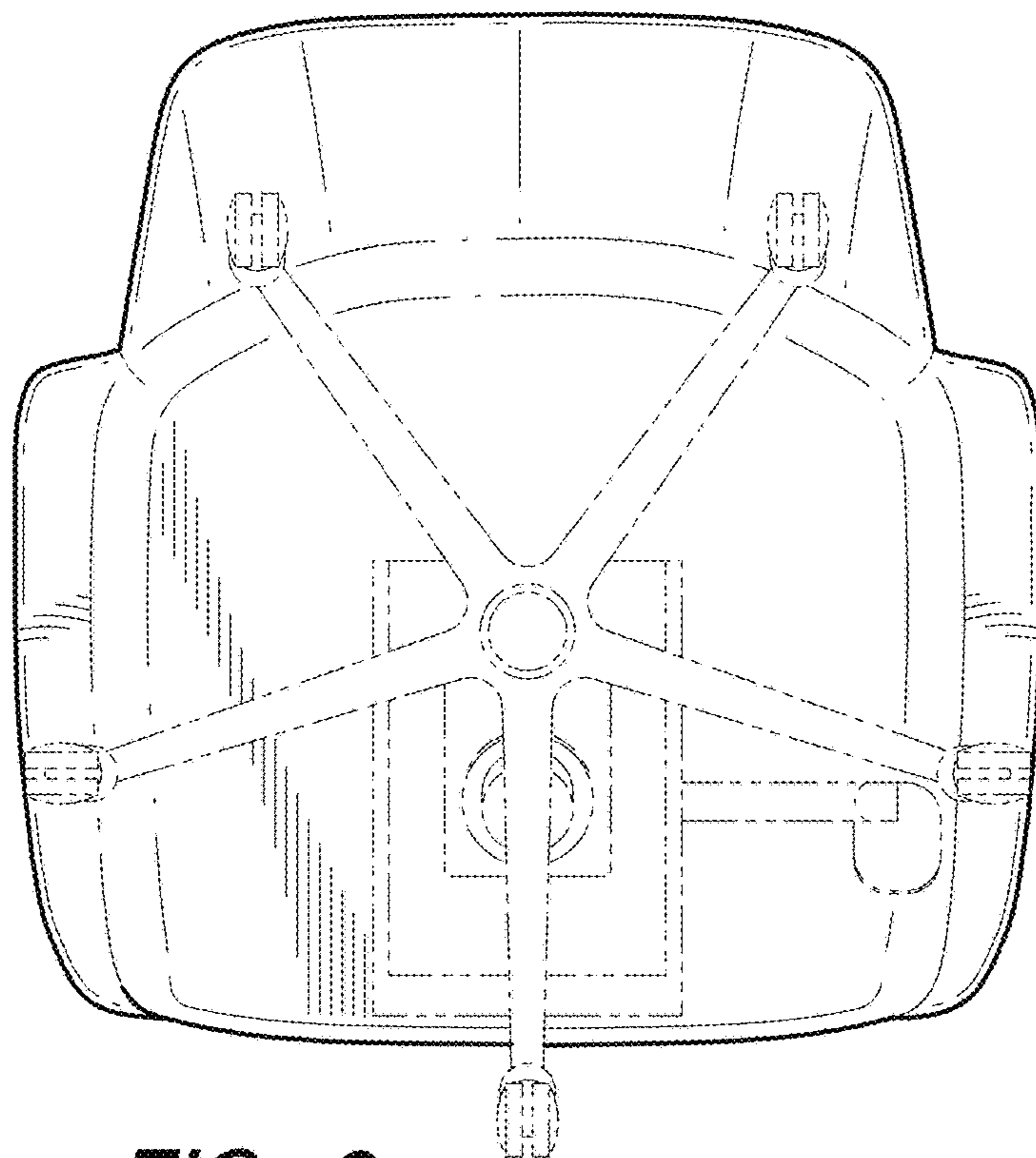


FIG. 6