



US00D779865S

(12) **United States Design Patent** (10) **Patent No.:** **US D779,865 S**  
**Bram** (45) **Date of Patent:** **\*\* Feb. 28, 2017**

(54) **EXPANDABLE DRAWER DIVIDER**

(71) Applicant: **Brumis Imports Inc.**, New York, NY (US)

(72) Inventor: **Steven Bram**, New York, NY (US)

(\*\*) Term: **14 Years**

(21) Appl. No.: **29/500,071**

(22) Filed: **Aug. 21, 2014**

(51) **LOC (10) Cl.** ..... **06-06**

(52) **U.S. Cl.**  
USPC ..... **D6/706**

(58) **Field of Classification Search**  
USPC ..... D6/706, 702, 705.7, 312, 324, 392;  
D8/380-381, 354; D12/223; 211/184;  
108/60  
CPC ..... A47F 5/005; A47F 5/0068; A47B 57/58;  
A47B 57/585; A47B 88/20  
See application file for complete search history.

(56) **References Cited**

**U.S. PATENT DOCUMENTS**

D246,814 S *	1/1978	Peggs	.....	D20/43
D275,921 S *	10/1984	Ward	.....	D6/706
5,161,704 A *	11/1992	Valiulis	.....	A47F 5/005 108/61
D386,335 S *	11/1997	LaFreniere	.....	D6/706
D473,080 S *	4/2003	Kellogg	.....	D6/706
D482,913 S *	12/2003	Lingvall	.....	D6/706
D495,539 S *	9/2004	Sjoberg	.....	D6/706
D507,915 S *	8/2005	Nagel	.....	D6/706
6,991,307 B2 *	1/2006	Hoenig	.....	A47B 88/20 211/184
D568,645 S *	5/2008	Gore	.....	D6/706
D596,431 S *	7/2009	Berger	.....	D6/706
D603,628 S *	11/2009	Towater	.....	D6/706
D613,100 S *	4/2010	Chancey	.....	D6/706
D635,379 S *	4/2011	Klein	.....	D6/706

D664,794 S *	8/2012	Leveto	.....	D6/706
D685,215 S *	7/2013	Berger	.....	D6/706
D702,068 S *	4/2014	Mitten	.....	D6/706
D707,994 S *	7/2014	Le	.....	D6/706
D745,796 S *	12/2015	Zeidner	.....	D6/706
2005/0150847 A1 *	7/2005	Hawkinson	.....	A47F 5/005 211/59.2
2011/0290746 A1 *	12/2011	Lu	.....	H05K 7/1489 211/26

\* cited by examiner

*Primary Examiner* — Rosemary K Tarcza

*Assistant Examiner* — James Thorn, Sr.

(74) *Attorney, Agent, or Firm* — Anna Vishev, Esq.

(57) **CLAIM**

The ornamental design for an expandable drawer divider, as shown and described.

**DESCRIPTION**

FIG. 1 is a perspective view of the expandable drawer divider, according to the first embodiment of my new invention;  
 FIG. 2 is a front thereof, the rear being a mirror image of the front side;  
 FIG. 3 is a left side view thereof;  
 FIG. 4 is a right side view thereof;  
 FIG. 5 is a bottom plan view thereof;  
 FIG. 6 is a top plan view thereof;  
 FIG. 7 is a perspective view of the expandable drawer divider, according to the second embodiment of my new design;  
 FIG. 8 is a front view thereof, the rear side being a mirror of the front side;  
 FIG. 9 is a left side view thereof  
 FIG. 10 is a right side view thereof;  
 FIG. 11 is a bottom plan view thereof; and,  
 FIG. 12 is a top plan view thereof.

**1 Claim, 12 Drawing Sheets**

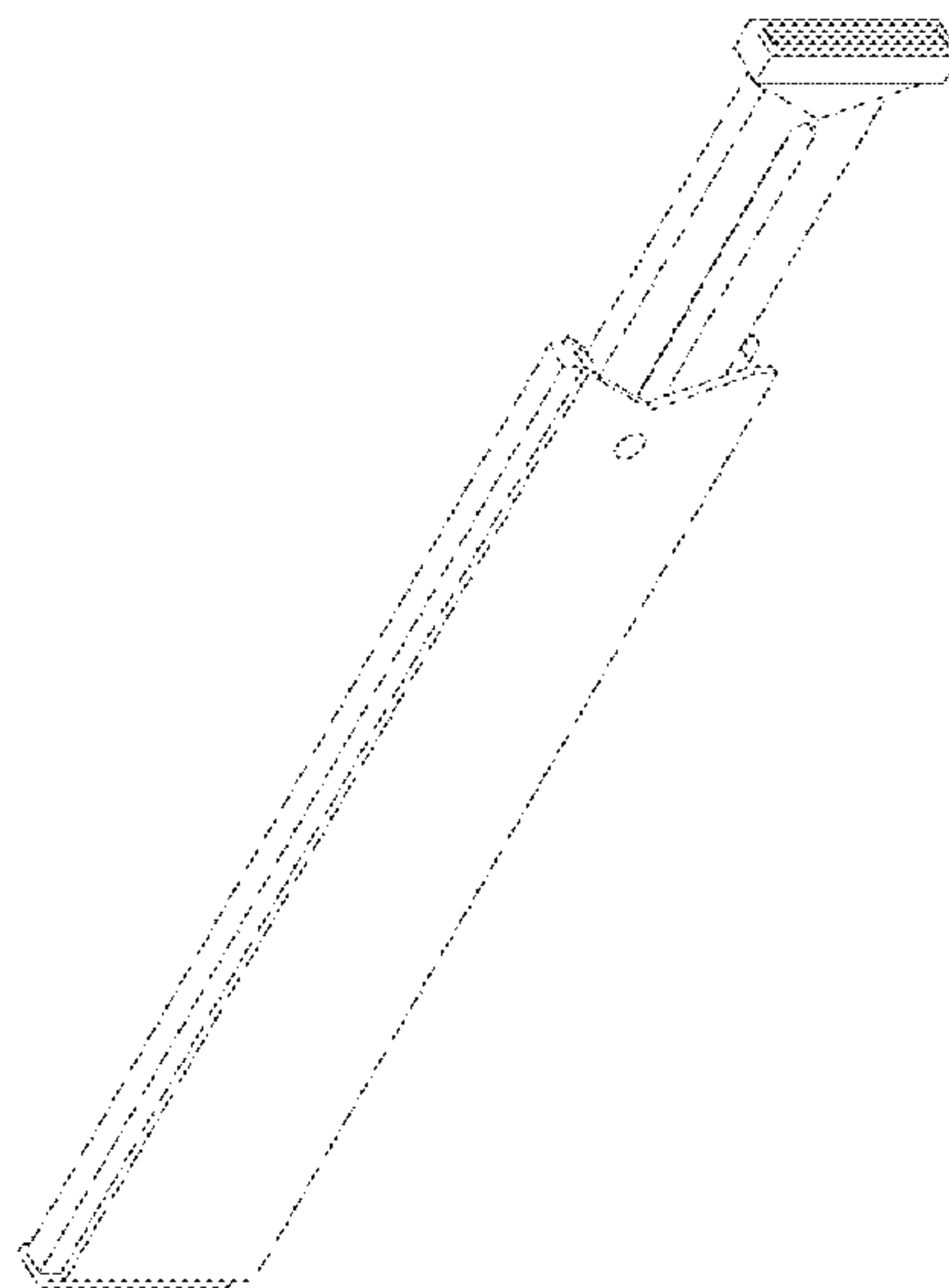


FIG. 1

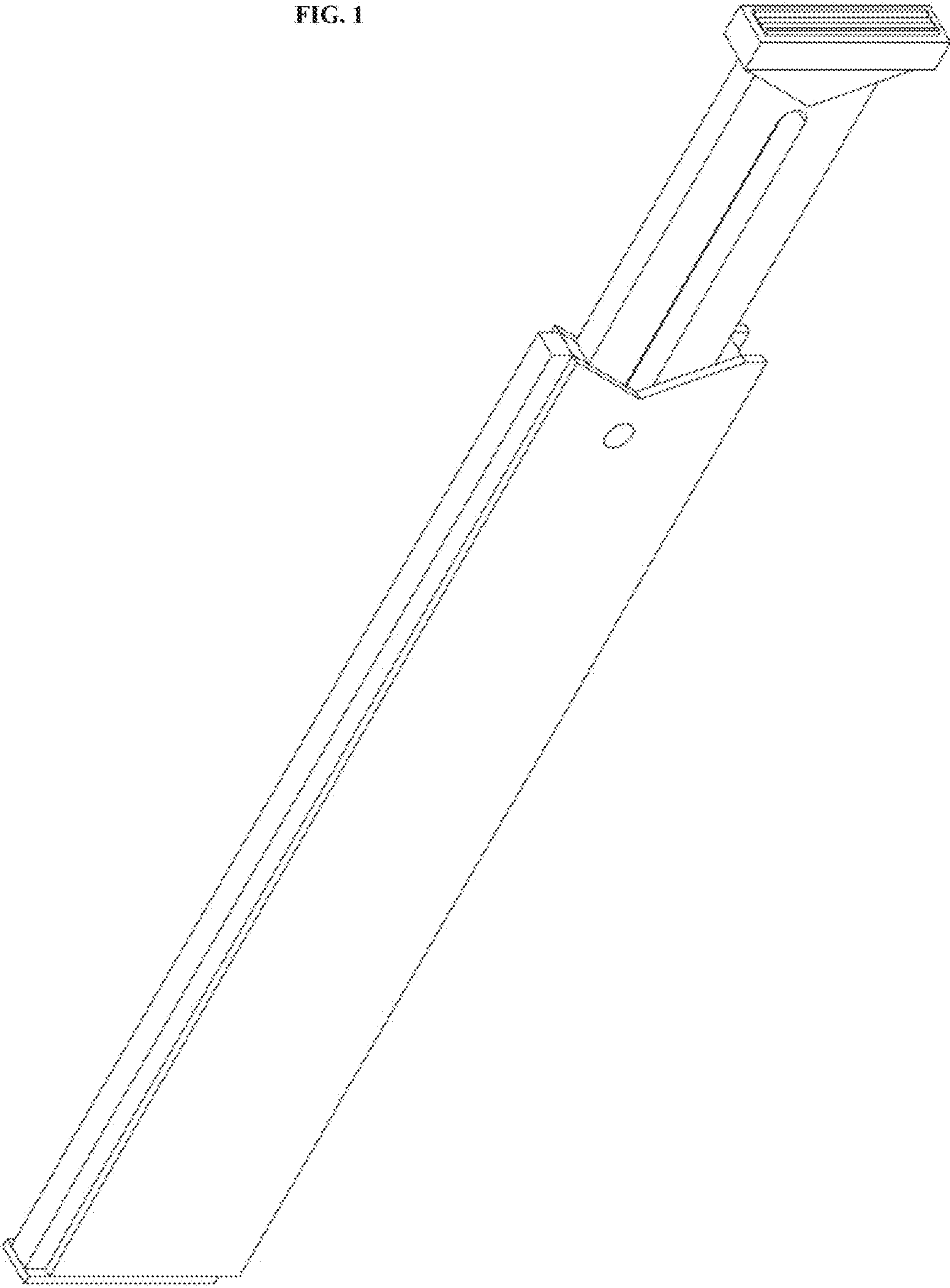


FIG. 2

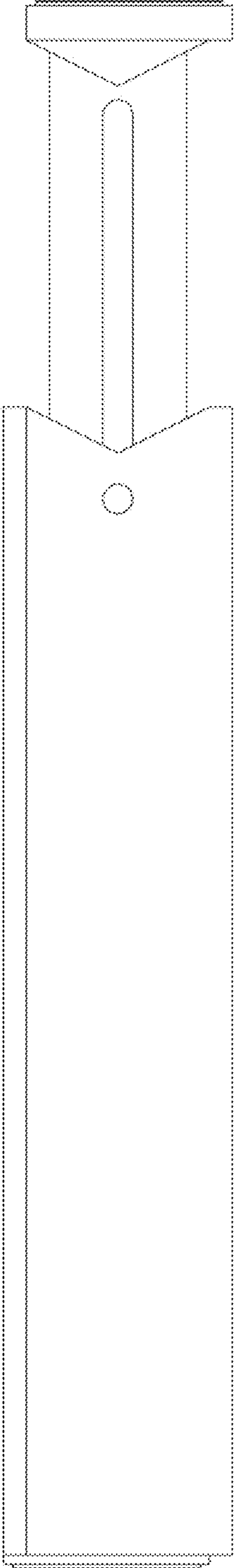


FIG. 3

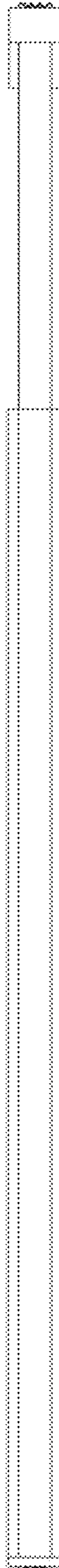


FIG. 4

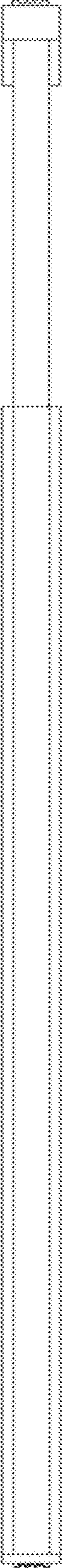


FIG. 5



FIG. 6

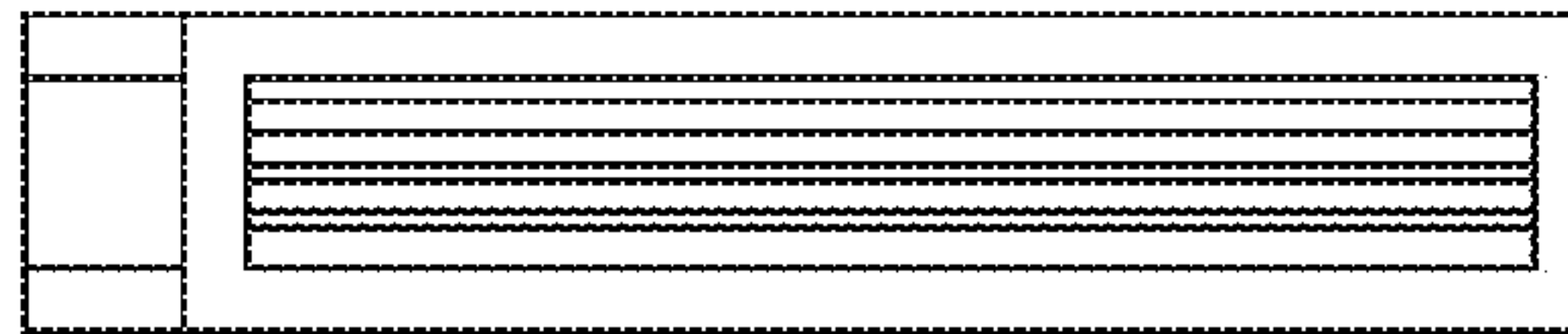


FIG. 7

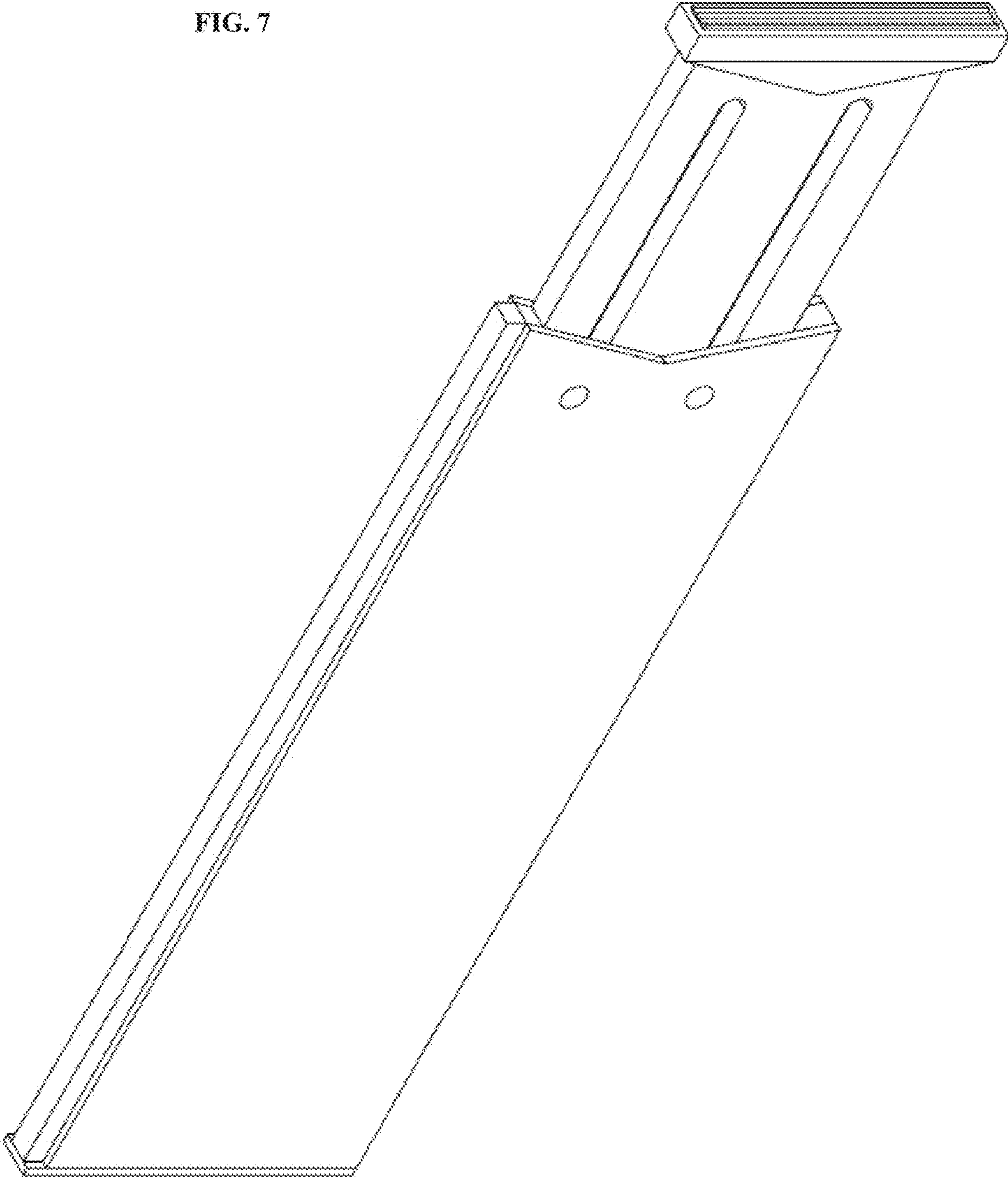




FIG. 8

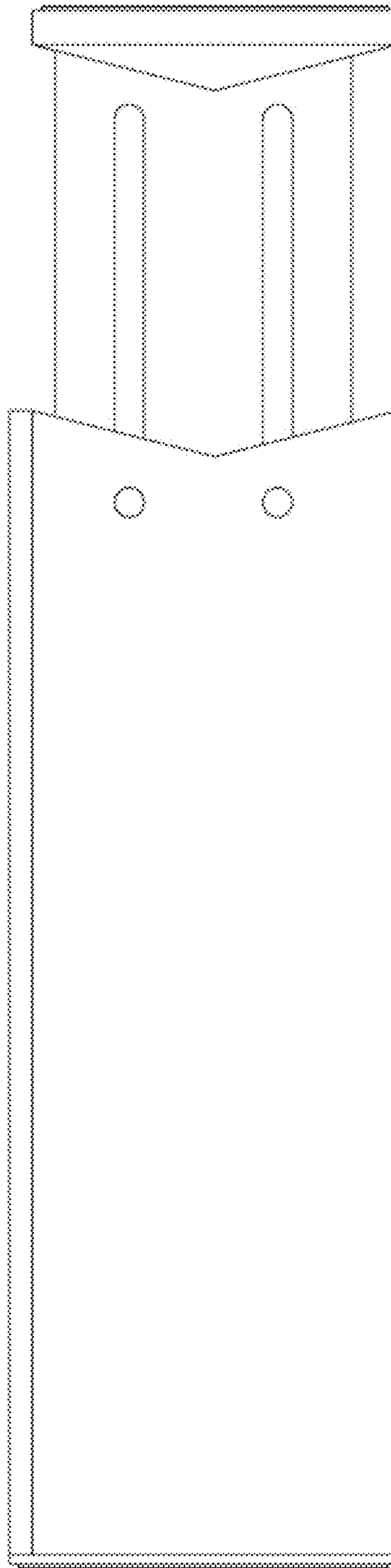


FIG. 9

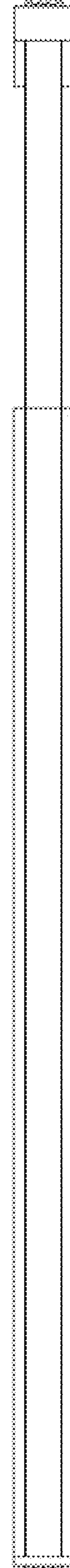


FIG. 10

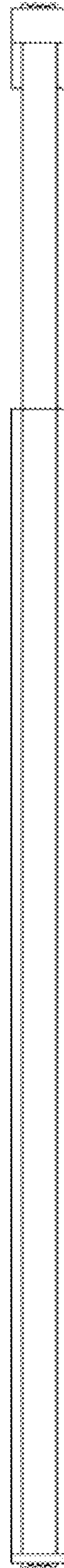


FIG. 11

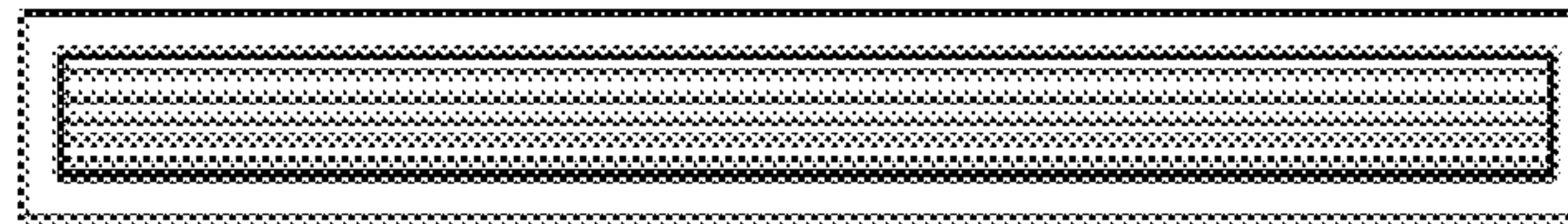


FIG. 12

