



US00D779862S

(12) **United States Design Patent** (10) **Patent No.:** **US D779,862 S**
Everson et al. (45) **Date of Patent:** **** Feb. 28, 2017**

(54) **TABLE**
(71) Applicant: **Ashley Furniture Industries, Inc.**,
Arcadia, WI (US)
(72) Inventors: **Terry A. Everson**, Blair, WI (US);
Randy D. Domack, Holmen, WI (US);
Craig C. Bacon, Trempealeau, WI (US)
(73) Assignee: **ASHLEY FURNITURE**
INDUSTRIES, INC., Arcadia, WI (US)
(**) Term: **15 Years**

D422,811 S *	4/2000	O'Hare	D6/688.23
D436,467 S *	1/2001	McGee	D6/691.6
D457,358 S *	5/2002	Wistehuff, Sr.	D6/691.8
D480,238 S *	10/2003	O'Hare	D6/708.14
D507,130 S *	7/2005	Mohundro	D6/688.23
D514,358 S *	2/2006	Everson	D6/688.12
D532,998 S *	12/2006	Domack	D6/688.11
D535,498 S *	1/2007	Domack	D6/691.1
D552,887 S *	10/2007	Everson	D6/691.1
D557,942 S *	12/2007	Thompson	D6/688.19
D590,639 S *	4/2009	Domack	D6/688.23
D622,085 S *	8/2010	Bacon	D6/691.1
D737,608 S *	9/2015	Everson	D6/691.1
D738,651 S *	9/2015	Everson	D6/691.1

* cited by examiner

(21) Appl. No.: **29/551,694**
(22) Filed: **Jan. 15, 2016**
(51) **LOC (10) Cl.** **06-04**
(52) **U.S. Cl.**
USPC **D6/691.1**
(58) **Field of Classification Search**
USPC D6/673, 685, 686, 688, 691, 691.1,
D6/691.6, 692.2, 707.19; 108/64
CPC A47B 1/00; A47B 95/043; A47B 7/00;
A47B 13/00; A47B 13/08
See application file for complete search history.

Primary Examiner — Caron D Veynar
Assistant Examiner — Mehri Bajoul
(74) *Attorney, Agent, or Firm* — McAndrews, Held & Malloy, Ltd.

(57) **CLAIM**

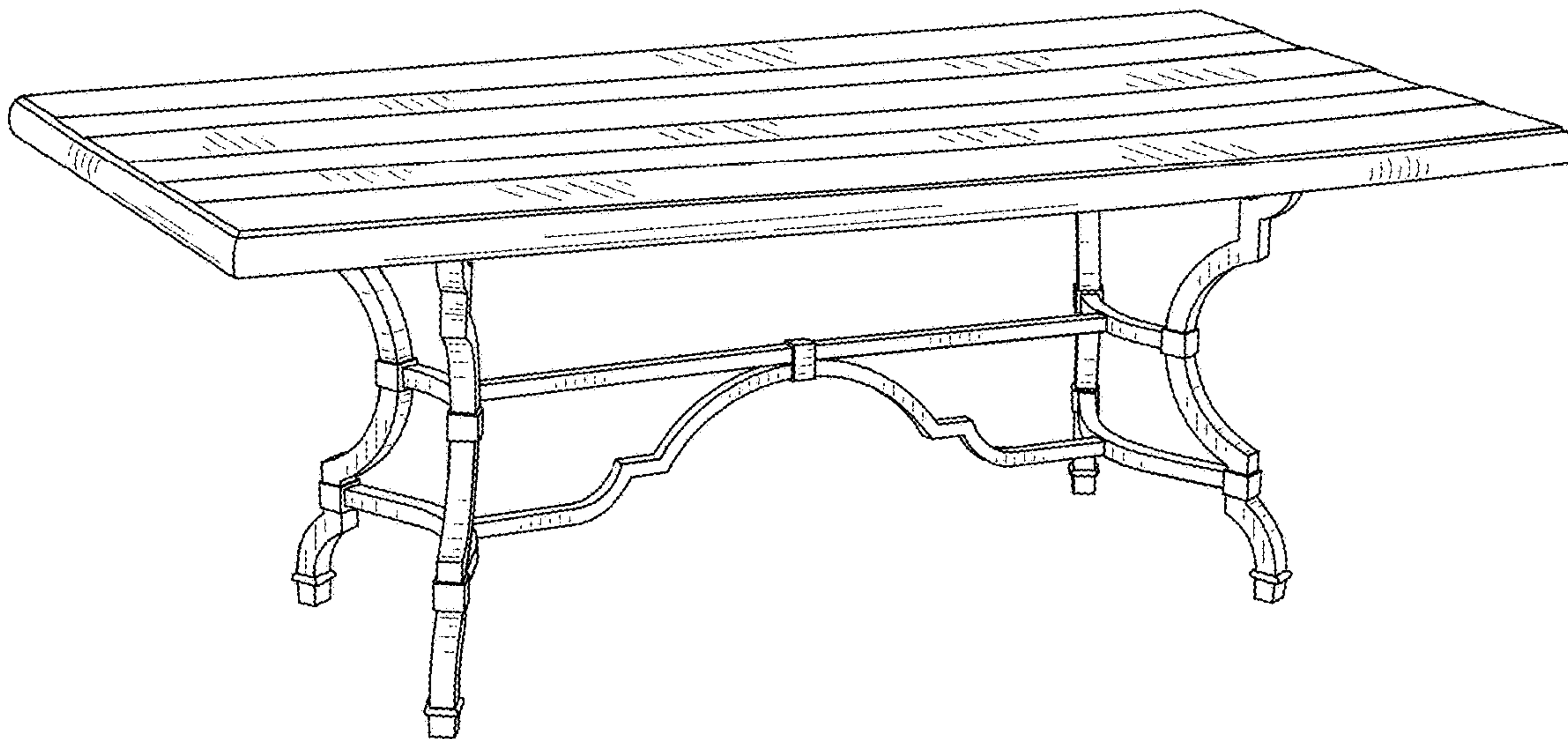
The ornamental design for a table, as shown and described.

DESCRIPTION

FIG. 1 is a front perspective view of a table showing our new design;
FIG. 2 is a right side elevation view thereof; the left side elevation view being a mirror image thereof;
FIG. 3 is a front elevation view thereof; the rear elevation view being a mirror image thereof; and,
FIG. 4 is a top plan view thereof.
Views of the table not shown in the figures form no part of the claimed design.

1 Claim, 3 Drawing Sheets

(56) **References Cited**
U.S. PATENT DOCUMENTS
D214,672 S * 7/1969 Ricca D6/691.8
D321,103 S * 10/1991 Duffey D25/136
D348,791 S * 7/1994 Keller D6/688.11
D377,426 S * 1/1997 Rosebrock D6/691.9
D394,767 S * 6/1998 Nourse D6/691.7
D404,596 S * 1/1999 Luong D6/691



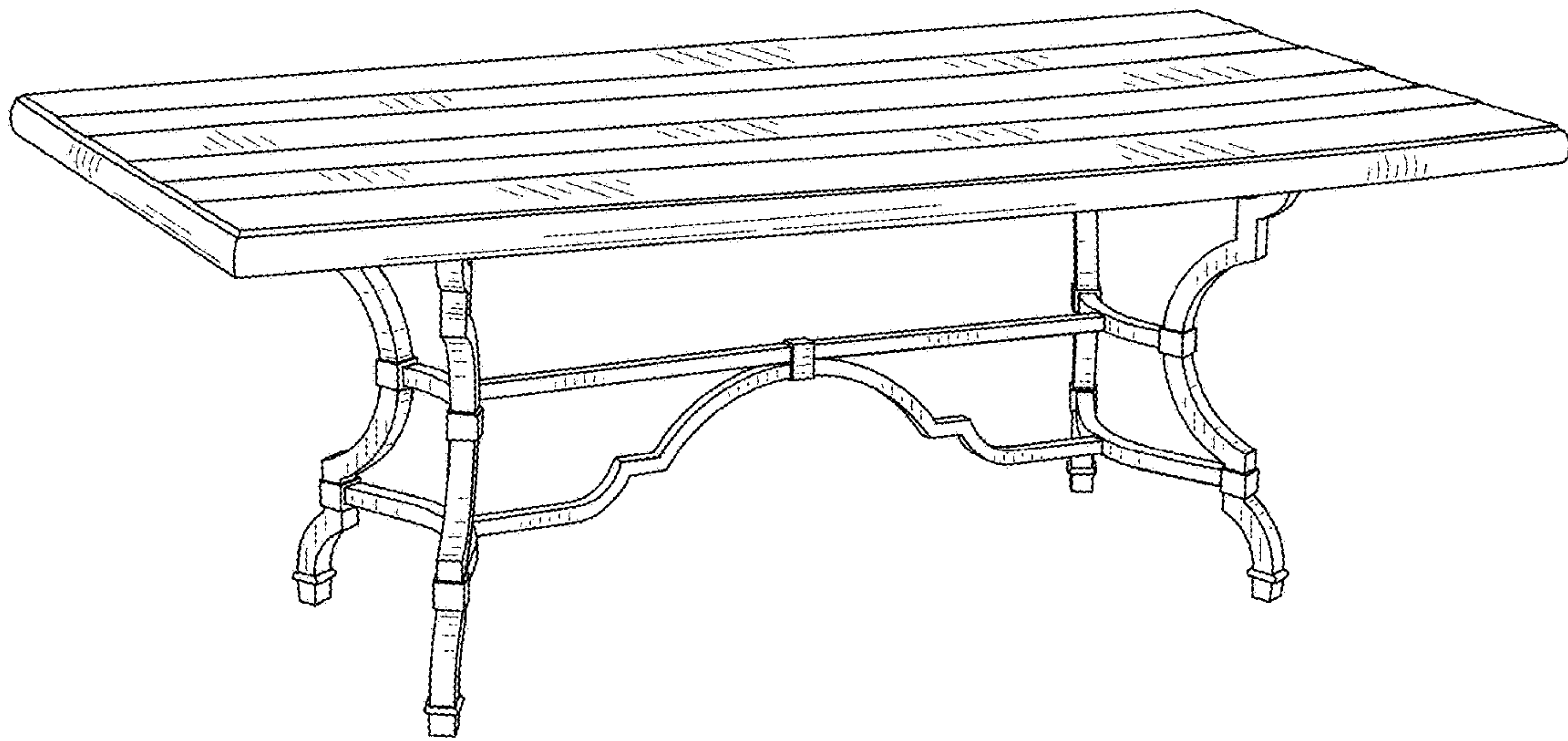


FIG. 1

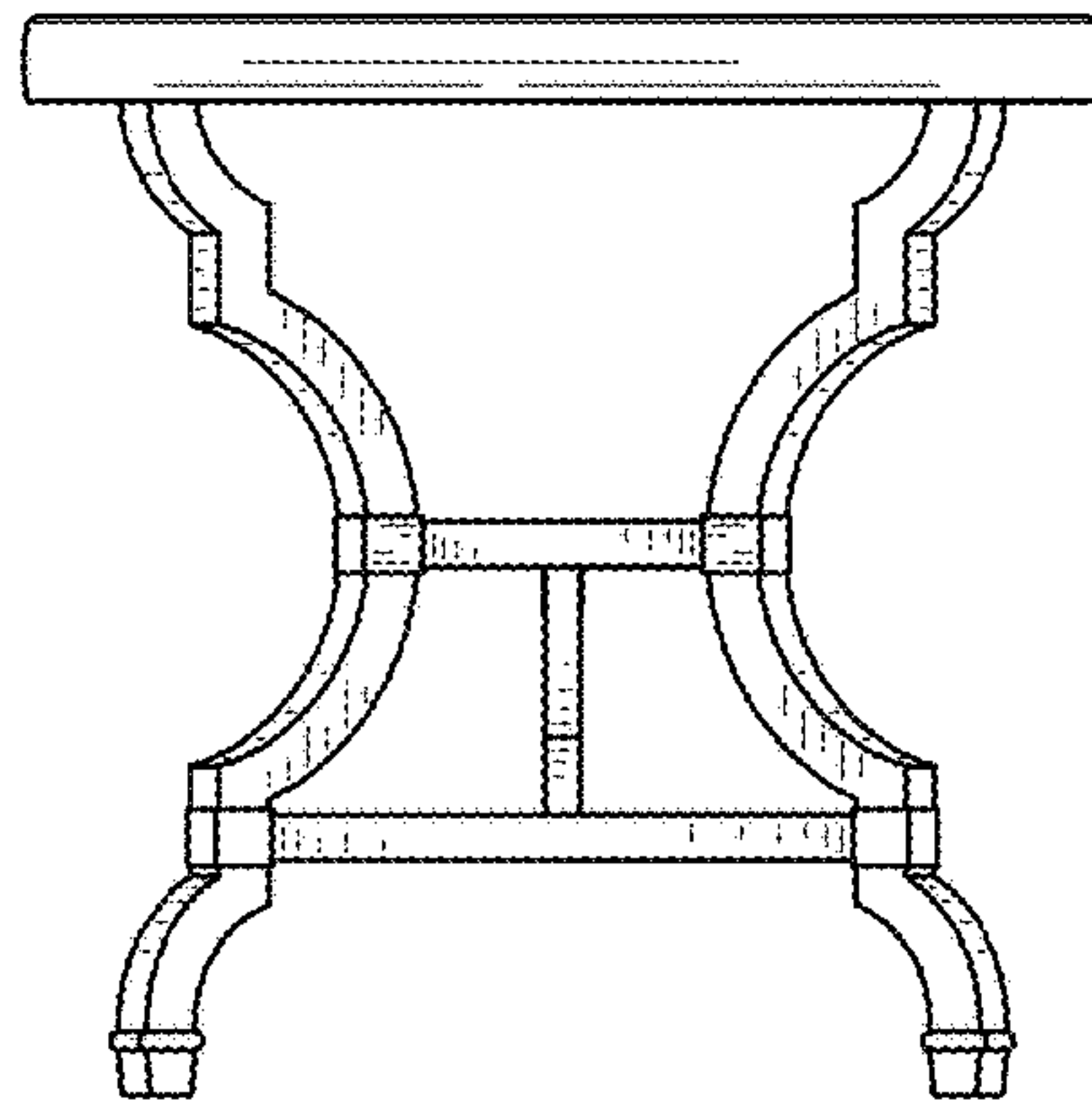


FIG. 2

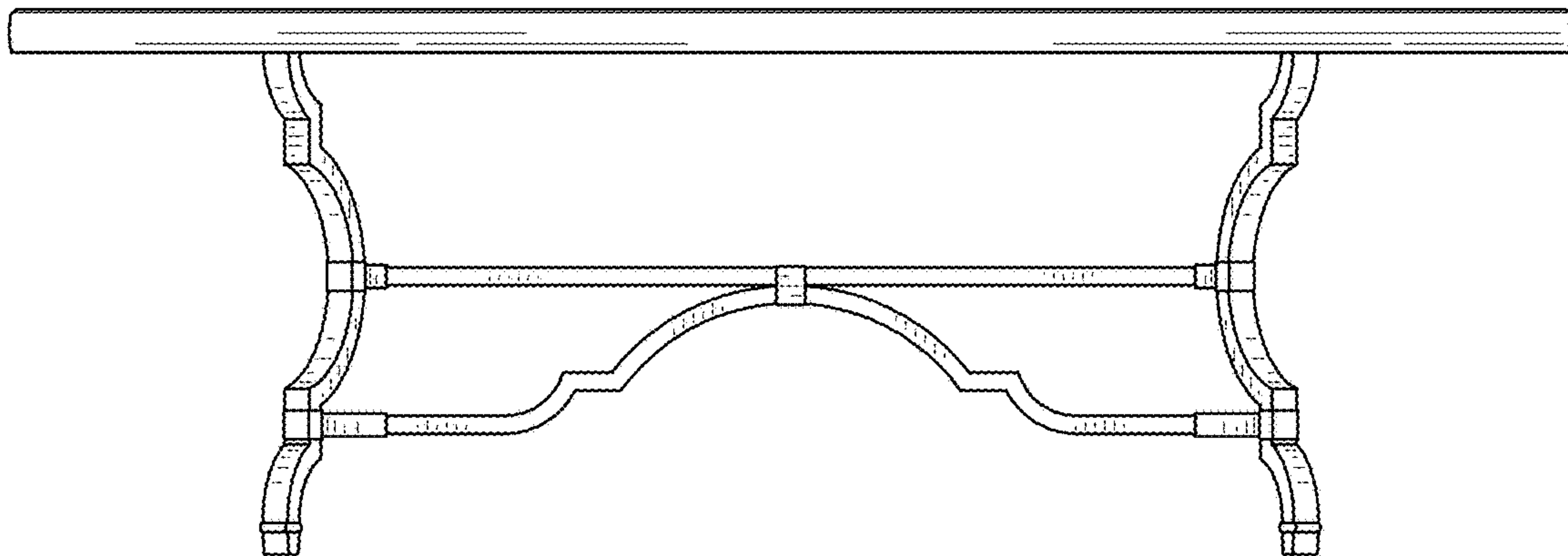


FIG. 3

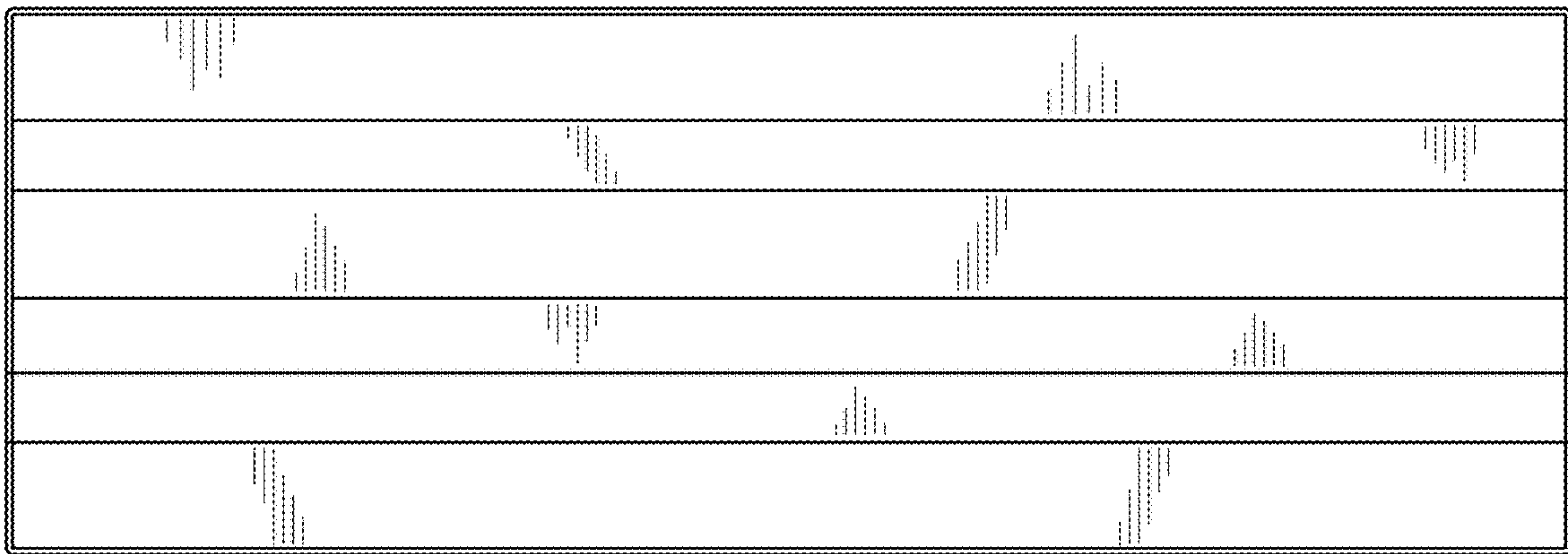


FIG. 4