



US00D779860S

(12) **United States Design Patent** (10) **Patent No.:** **US D779,860 S**  
**Siao** (45) **Date of Patent:** **\*\* Feb. 28, 2017**

(54) **FOLDABLE TABLE**  
(71) Applicant: **JING SI PUBLICATIONS CO., LTD.**,  
Taipei (TW)  
(72) Inventor: **Marshall Q. Siao**, Hualien County  
(TW)  
(73) Assignee: **Jing Si Pureland Co., Ltd.**, Taipei  
(TW)

D554,875 S \* 11/2007 Emert ..... D6/353  
D579,680 S \* 11/2008 Emert ..... D6/353  
7,516,704 B2 \* 4/2009 Snider ..... B25H 1/04  
108/25  
D639,080 S \* 6/2011 van der Lande ..... D6/353  
D644,032 S \* 8/2011 Eveleth ..... D6/353  
D668,070 S \* 10/2012 Kim ..... D6/353  
D707,975 S \* 7/2014 Habraken ..... D6/353  
D713,189 S \* 9/2014 Rak ..... D6/707.19  
D738,125 S \* 9/2015 Biddle ..... D6/349  
D751,309 S \* 3/2016 Habraken ..... D25/65

(\*\*) Term: **14 Years**

(21) Appl. No.: **29/526,345**

(22) Filed: **May 8, 2015**

(30) **Foreign Application Priority Data**  
Feb. 10, 2015 (TW) ..... 104300652  
(51) **LOC (10) Cl.** ..... **06-03**  
(52) **U.S. Cl.**  
USPC ..... **D6/684**  
(58) **Field of Classification Search**  
USPC ..... D6/691, 691.1, 691.2, 691.6, 641, 691.3,  
D6/691.4, 656.15, 656, 688.1, 688, 698,  
D6/390, 382, 692, 692.4, 691.8, 686, 353,  
D6/688.27, 708.1, 692.2, 692.3, 657, 672,  
D6/685, 707.19, 691.9, 701, 707, 707.23,  
D6/644, 656.19, 684, 708.14, 708.17,  
D6/708.21  
CPC ..... A47B 7/00; A47B 13/08; A47B 13/10;  
A47B 21/00; A47B 25/00; A47B  
2009/006; A47B 11/00  
See application file for complete search history.

(56) **References Cited**  
U.S. PATENT DOCUMENTS  
D361,216 S \* 8/1995 Lewellen ..... D6/684  
D553,372 S \* 10/2007 Henschel ..... D6/353

**OTHER PUBLICATIONS**

Recall: Kennedy Home Collection Folding Step Stools [online].  
Wemakeitsafer.com, May 10, 2012 [retrieved on Aug. 15, 2016].  
Retrieved from the Internet:< <http://wemakeitsafer.com/Kennedy-Home-Collection-Folding-Step-Stools-Recall-422012-978565>>.\*

(Continued)

*Primary Examiner* — Mary Ann Calabrese  
*Assistant Examiner* — Sloan Rozin  
(74) *Attorney, Agent, or Firm* — Rosenberg, Klein & Lee

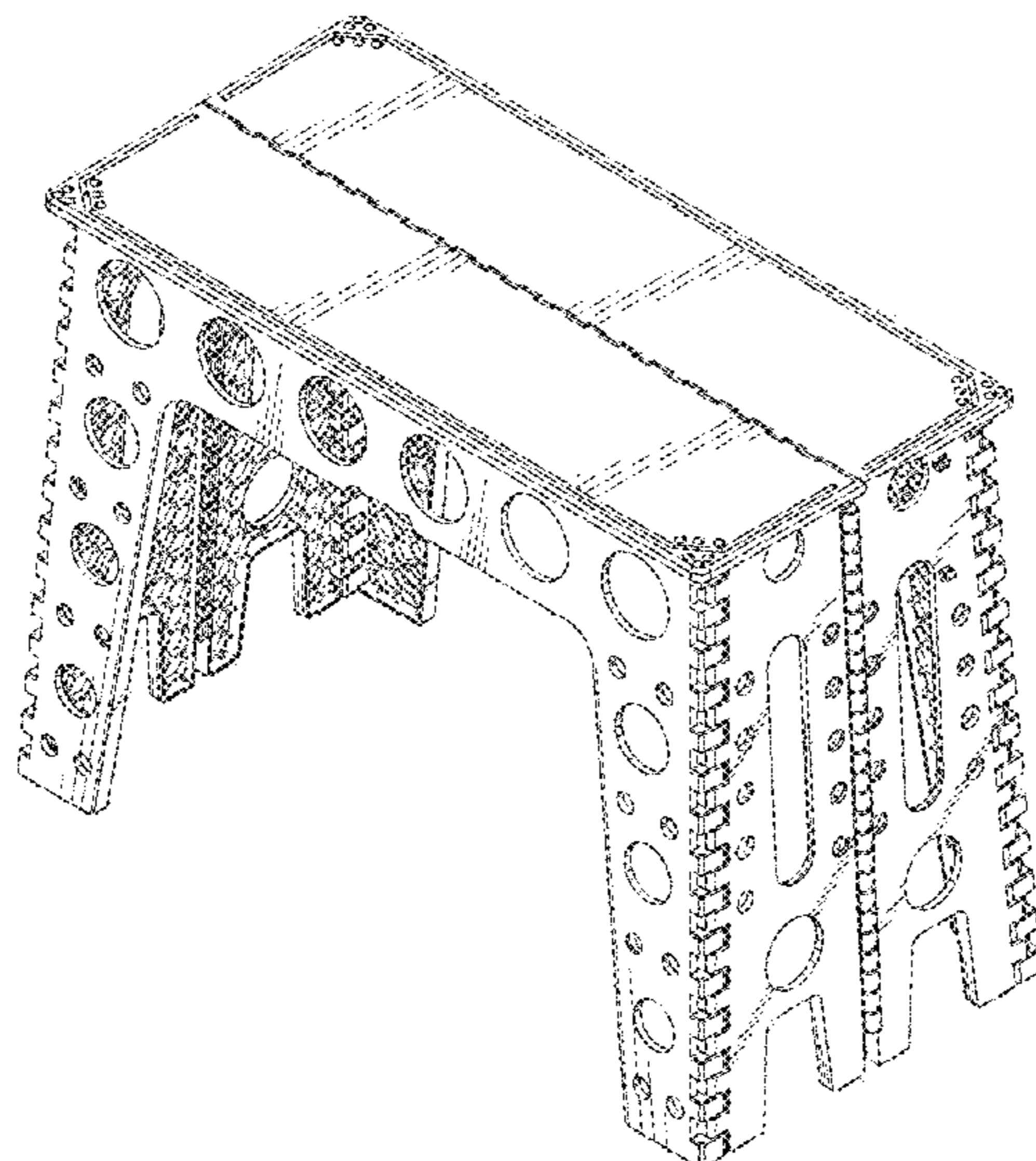
(57) **CLAIM**

The ornamental design for a foldable table, as shown and described.

**DESCRIPTION**

FIG. 1 is a perspective view of a foldable table showing my new design;  
FIG. 2 is a folded view thereof;  
FIG. 3 is a front elevational view thereof;  
FIG. 4 is a rear elevational view thereof;  
FIG. 5 is a left side view thereof;  
FIG. 6 is a right side view thereof;  
FIG. 7 is a top plain view thereof; and,  
FIG. 8 is a bottom plain view thereof.  
The broken lines in the drawings illustrate the portions of the design that form no part of the claim.

**1 Claim, 8 Drawing Sheets**



(56)

**References Cited**

OTHER PUBLICATIONS

Stock Photo—epa05256936 A person from Taipei presents an invention, Jing Si portable disaster relief furniture system, at the 44th International Exhibition of Inventions, New Techniques [online]. Alamy, Apr. 13, 2016 [retrieved on Aug. 15, 2016]. Retrieved from the Internet:< [http://www.alamy.com/stock-photo-epa05256936-a-person-from-taipei-presen.\\*](http://www.alamy.com/stock-photo-epa05256936-a-person-from-taipei-presen.*)

Jing Si Multipurpose Foldable Platform [online]. Global Innovation Exchange., 2016 [retrieved on Aug. 15, 2016]. Retrieved from the Internet:< <https://www.globalinnovationexchange.org/innovations/jing-si-multipurpose-foldable-platform>>.\*

\* cited by examiner

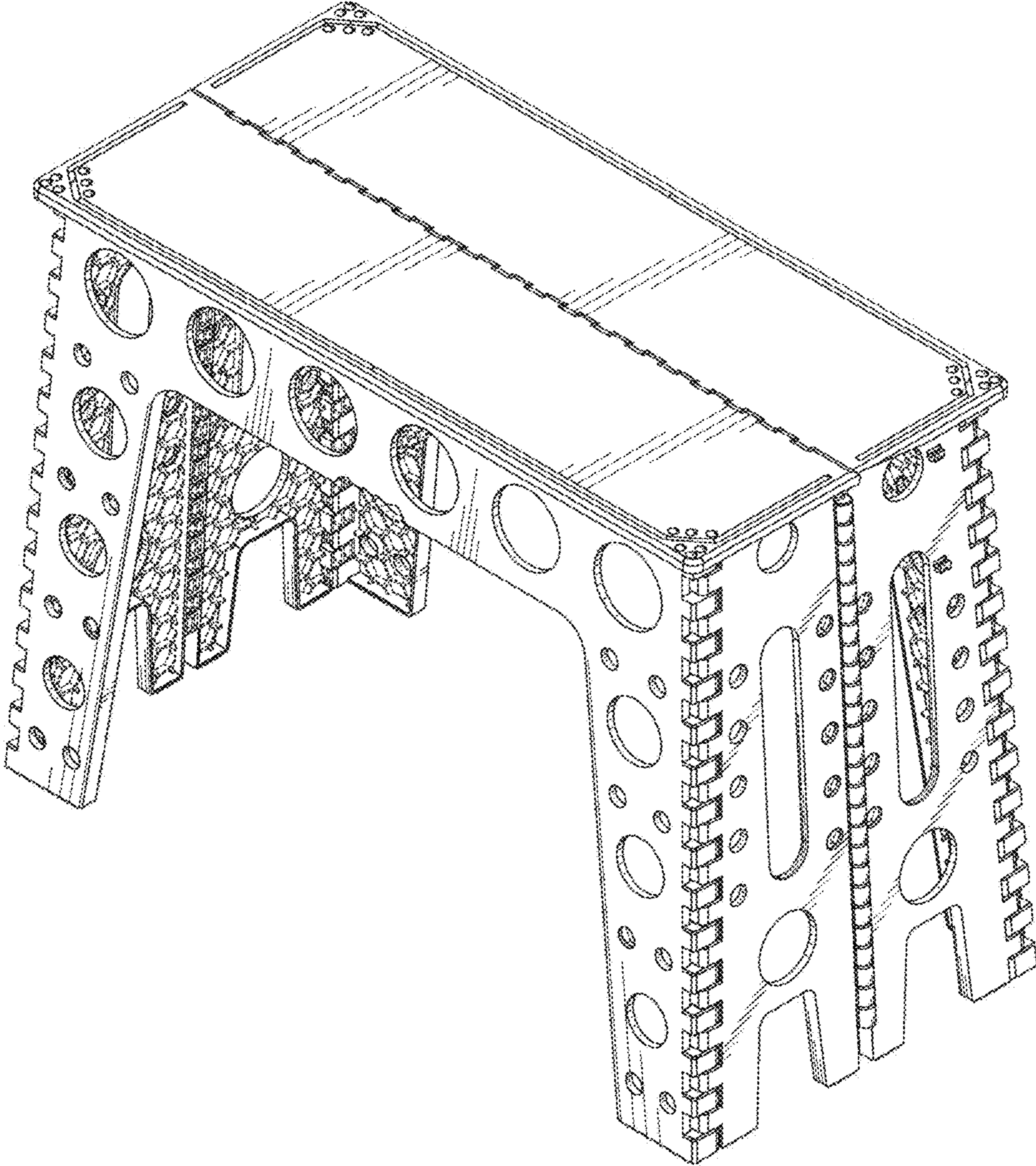


FIG. 1

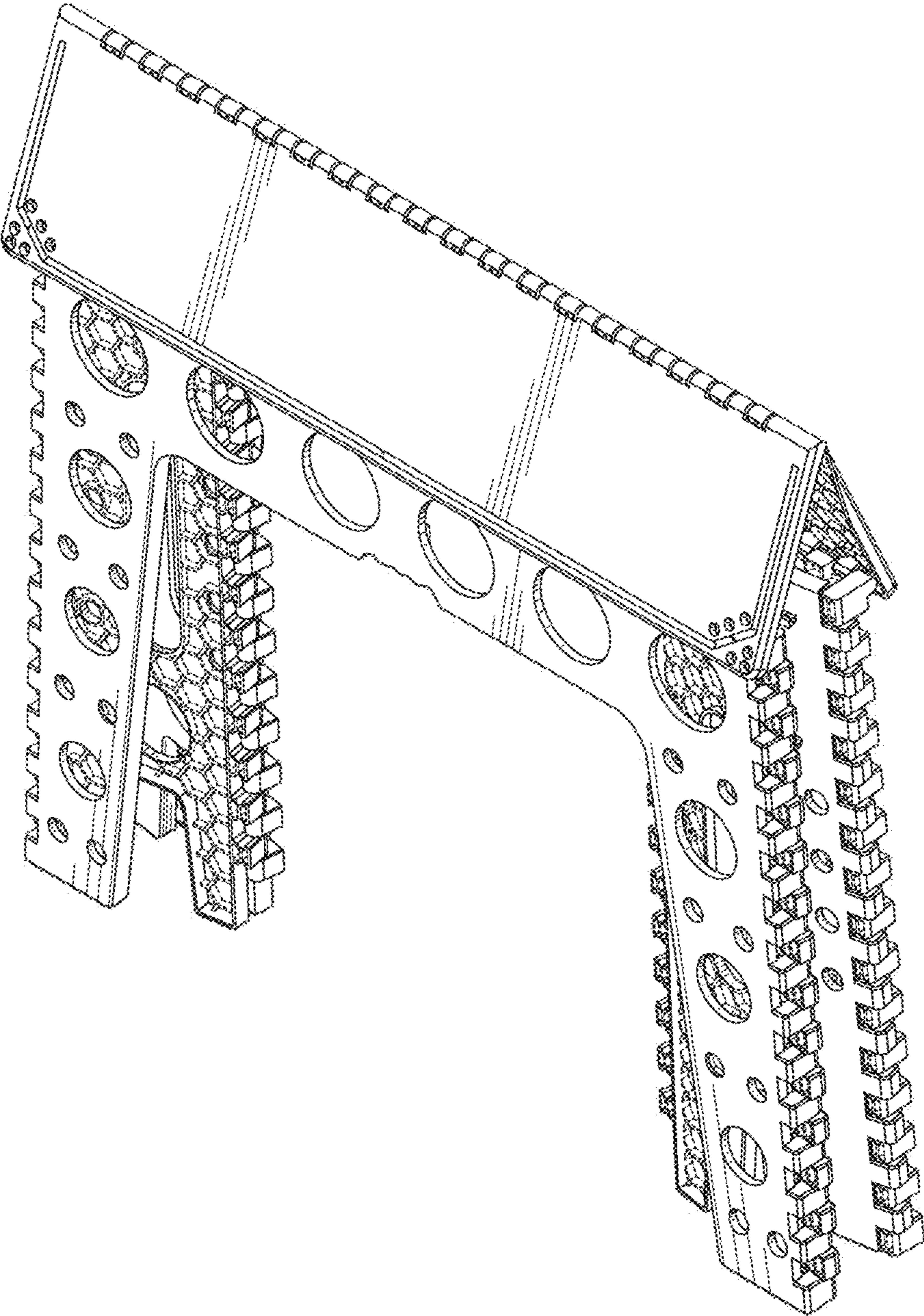


FIG. 2

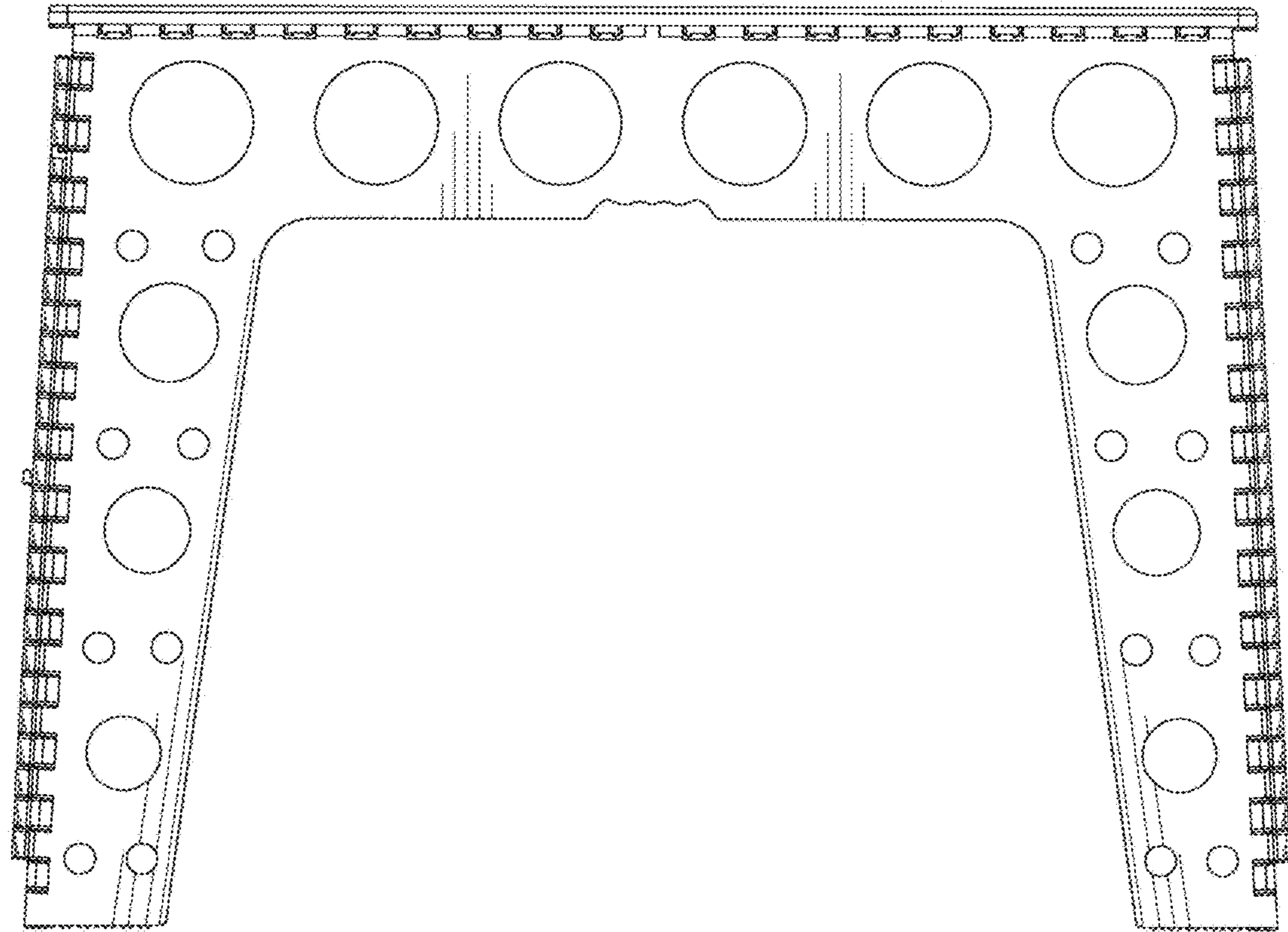


FIG. 3

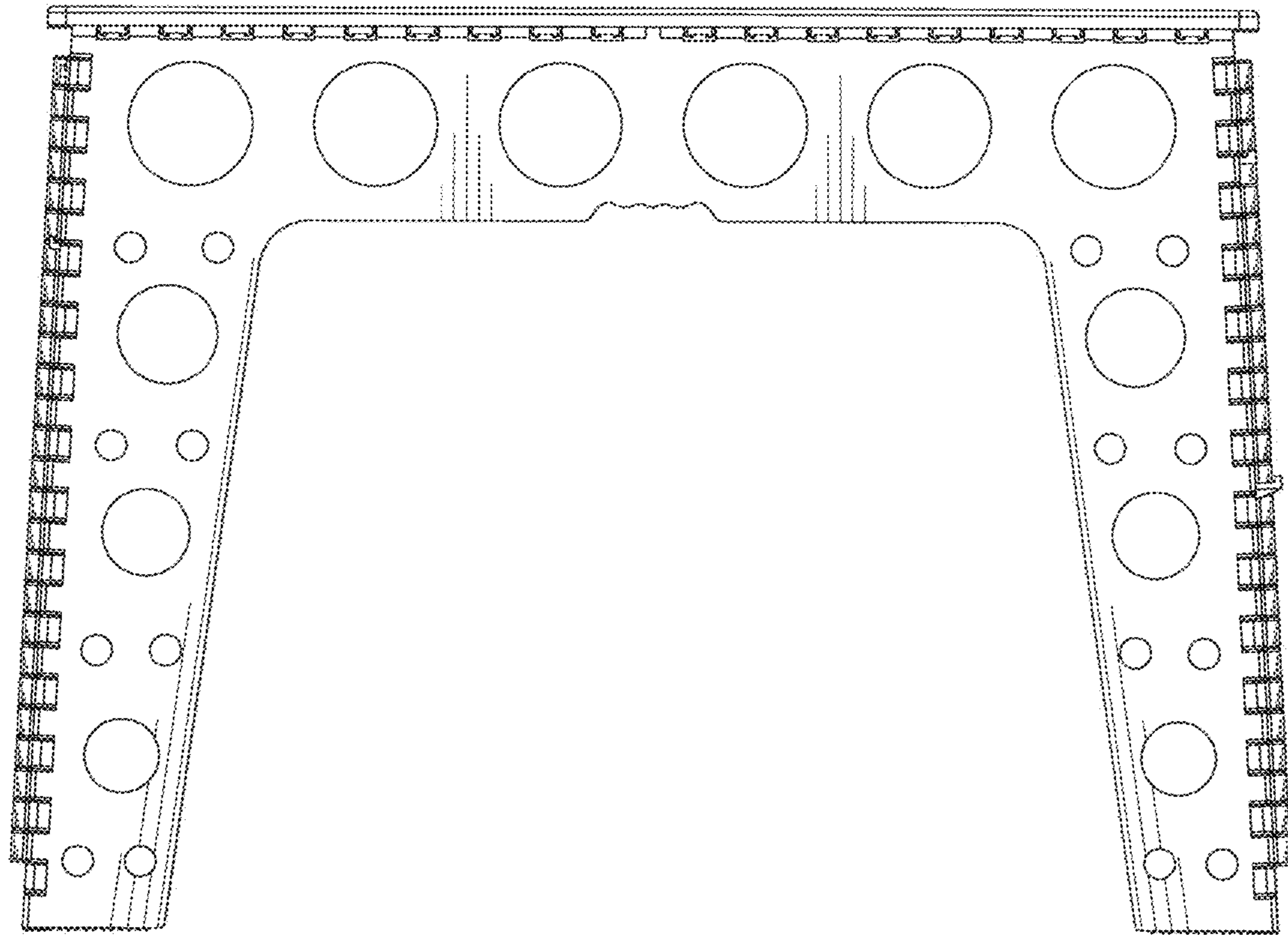


FIG. 4

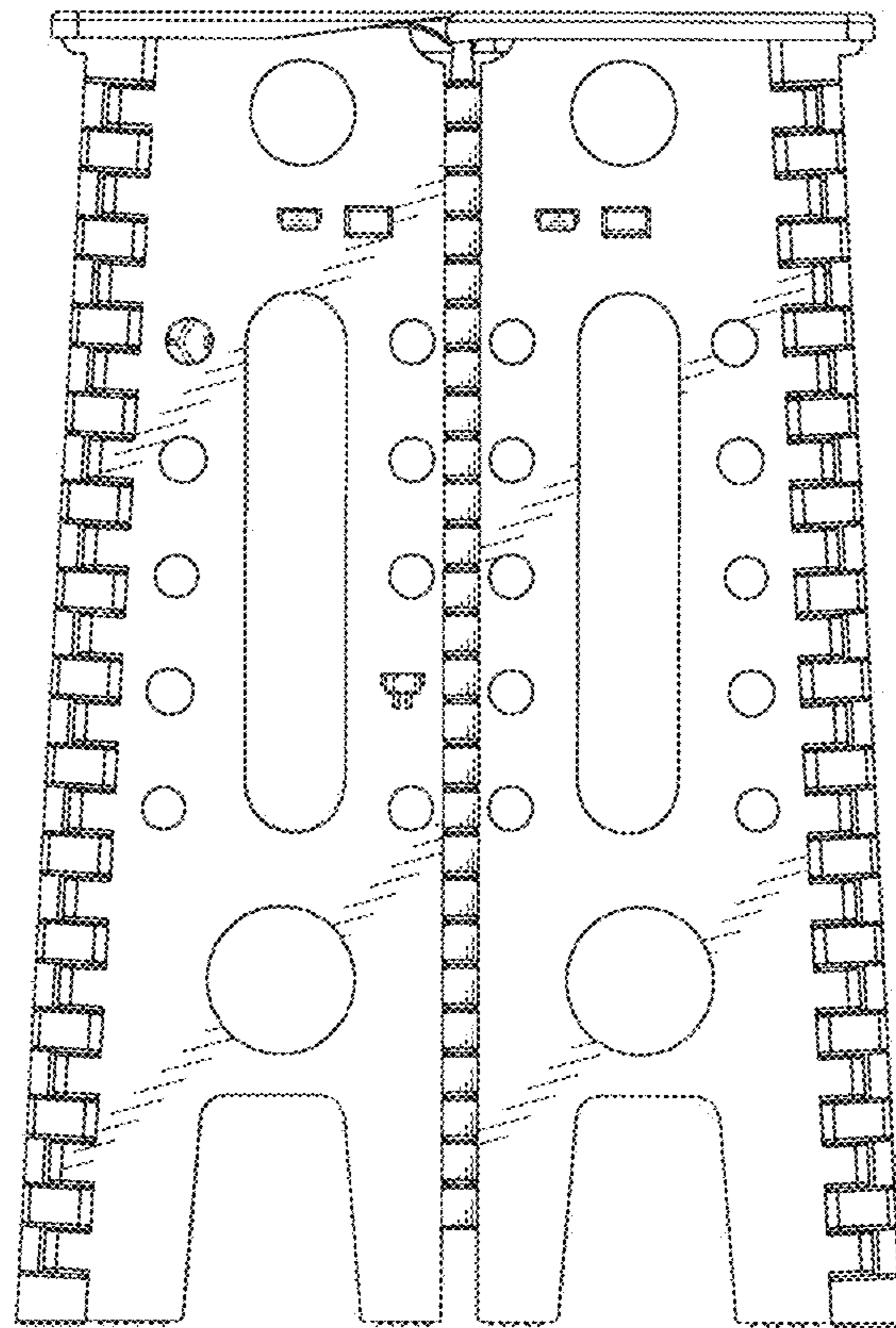


FIG. 5

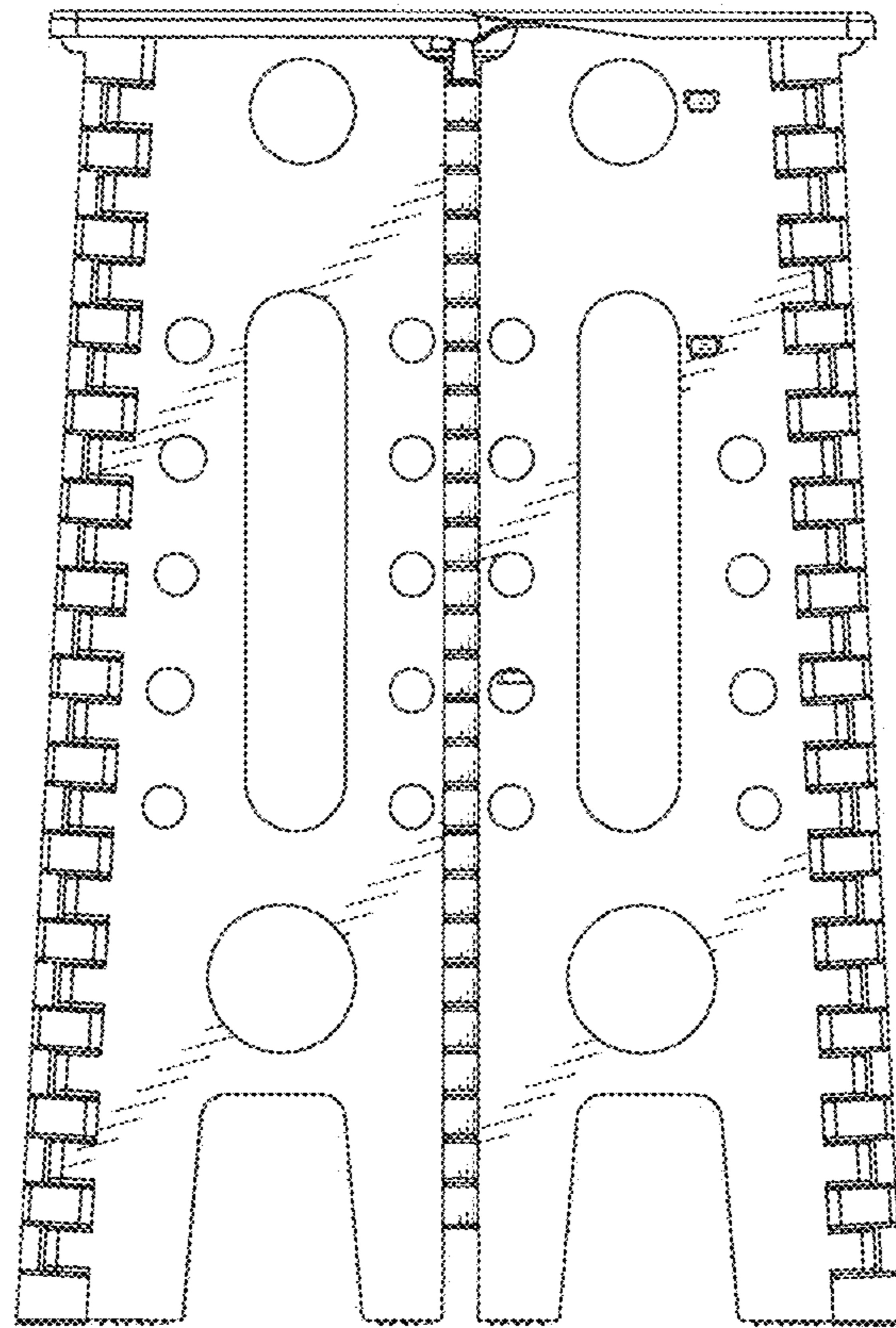


FIG. 6



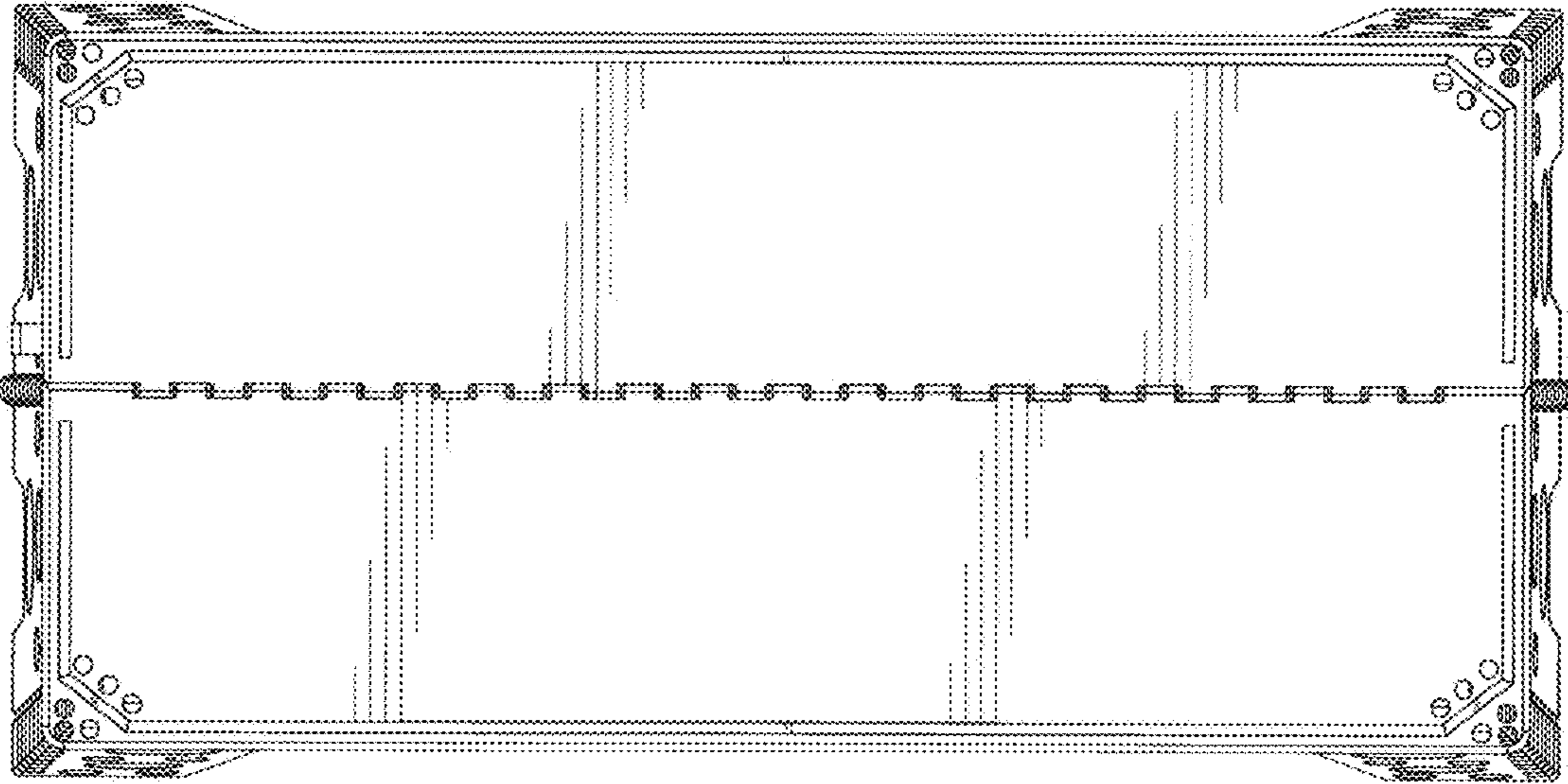


FIG. 7

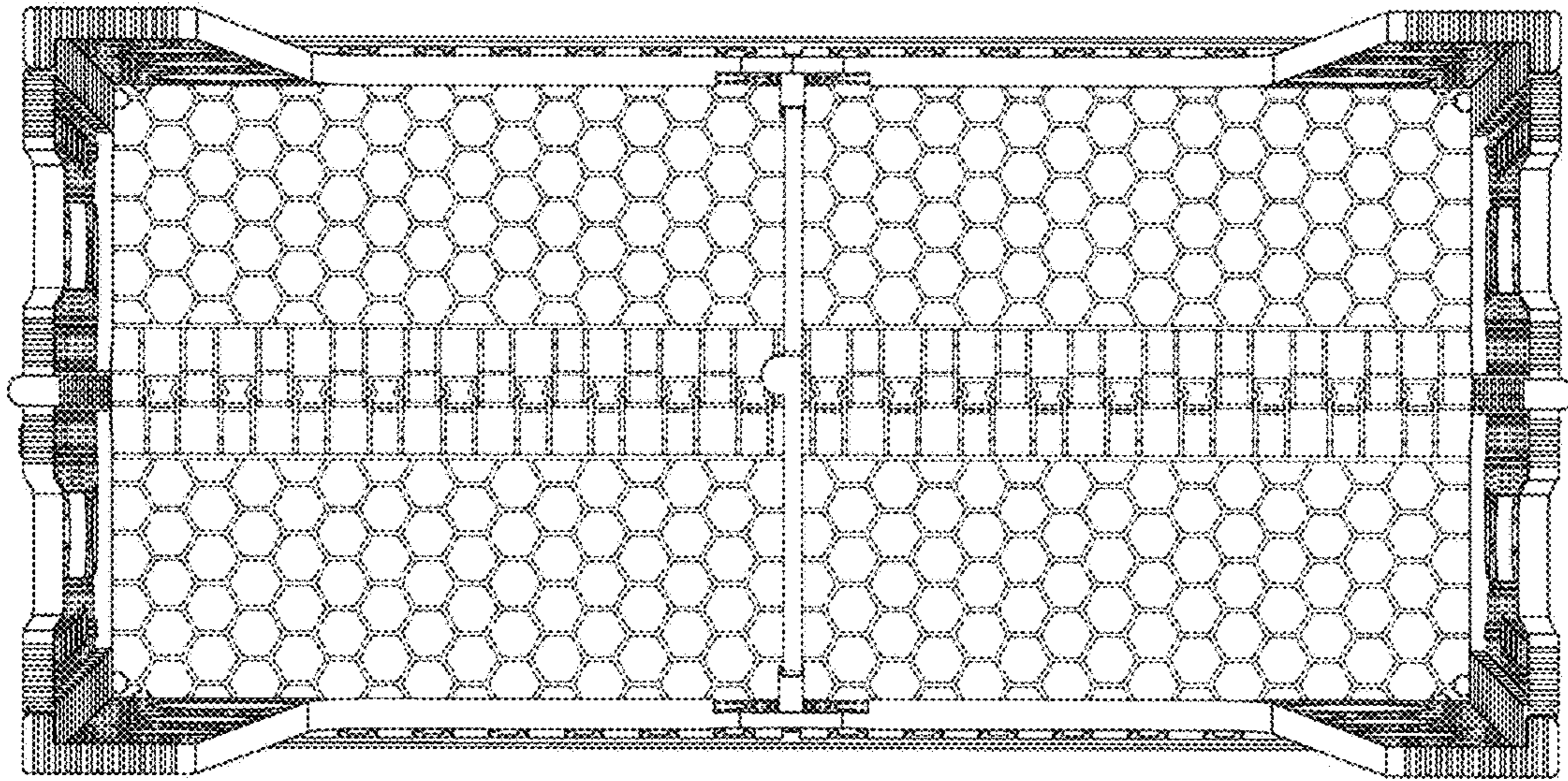


FIG. 8