



US00D779858S

(12) **United States Design Patent** (10) **Patent No.:** **US D779,858 S**
Conn et al. (45) **Date of Patent:** **** Feb. 28, 2017**

(54) **CABINET**
(71) Applicant: **Hewlett-Packard Development Company, L.P.**, Houston, TX (US)
(72) Inventors: **Kevin Conn**, Houston, TX (US); **Keith J. Kuehn**, Houston, TX (US); **Robert J. Kelley**, Houston, TX (US)
(73) Assignee: **Hewlett Packard Enterprise Development LP**, Houston, TX (US)
(**) Term: **14 Years**
(21) Appl. No.: **29/509,506**
(22) Filed: **Nov. 18, 2014**
(51) **LOC (10) Cl.** **06-04**
(52) **U.S. Cl.**
USPC **D6/669; D6/671**
(58) **Field of Classification Search**
USPC D6/663, 668, 668.1, 669, 671, 671.1, D6/671.2, 671.3, 671.4
CPC A47B 17/04; A47B 45/00; A47B 47/00; A47B 47/02; A47B 47/03; A47B 47/04
See application file for complete search history.

D501,616 S * 2/2005 Walker D6/671.1
D528,824 S * 9/2006 Grosfillex D6/671
D534,010 S * 12/2006 O'Reilly D6/671.1
D553,389 S * 10/2007 Marcus D6/671.1
D591,076 S * 4/2009 Guizzardi D6/671.1
D609,936 S * 2/2010 Haimoff D6/671.1
D642,400 S * 8/2011 Koehn D6/668.1
2003/0127956 A1 * 7/2003 Stoever A47B 47/02
312/257.1

* cited by examiner

Primary Examiner — Mimosa De

(74) *Attorney, Agent, or Firm* — Foley & Lardner LLP

(57) **CLAIM**

We claim the ornamental design for a cabinet, as shown and described.

DESCRIPTION

FIG. 1 is a top, front, right isometric view of the claimed design;
FIG. 2 is a bottom, front, right isometric view thereof;
FIG. 3 is a front elevation view thereof;
FIG. 4 is a rear elevation view thereof;
FIG. 5 is a right elevation view thereof;
FIG. 6 is a left elevation view thereof;
FIG. 7 is a top plan view thereof; and,
FIG. 8 is a bottom plan view thereof.

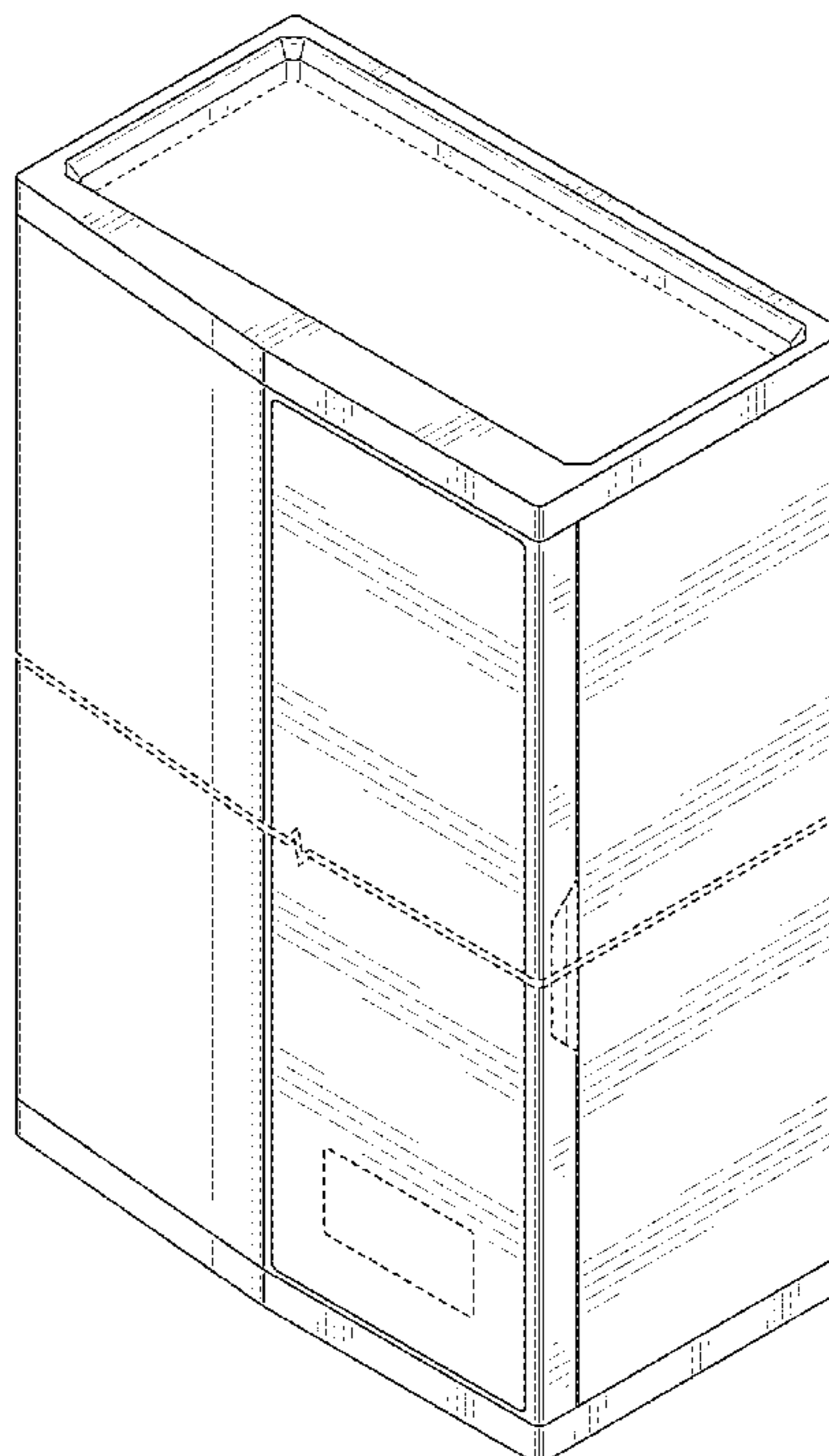
The ornamental design which is claimed is shown in solid lines in the drawings. The broken lines in the drawings form no part of the claimed design. Broken lines formed by equal length dashes show unclaimed subject matter. Broken away symbols having a jagged element show that no particular length of the portion is claimed.

1 Claim, 6 Drawing Sheets

(56) **References Cited**

U.S. PATENT DOCUMENTS

D395,180 S * 6/1998 Sagol D6/671.1
D407,385 S * 3/1999 Belanger D6/671.1
D431,733 S * 10/2000 Zimmerman D6/671.1
D435,178 S * 12/2000 Thompson D6/671
D492,134 S * 6/2004 Moon D6/671.1
D499,275 S * 12/2004 Grosfillex D6/671.1
D499,276 S * 12/2004 Grosfillex D6/671.1



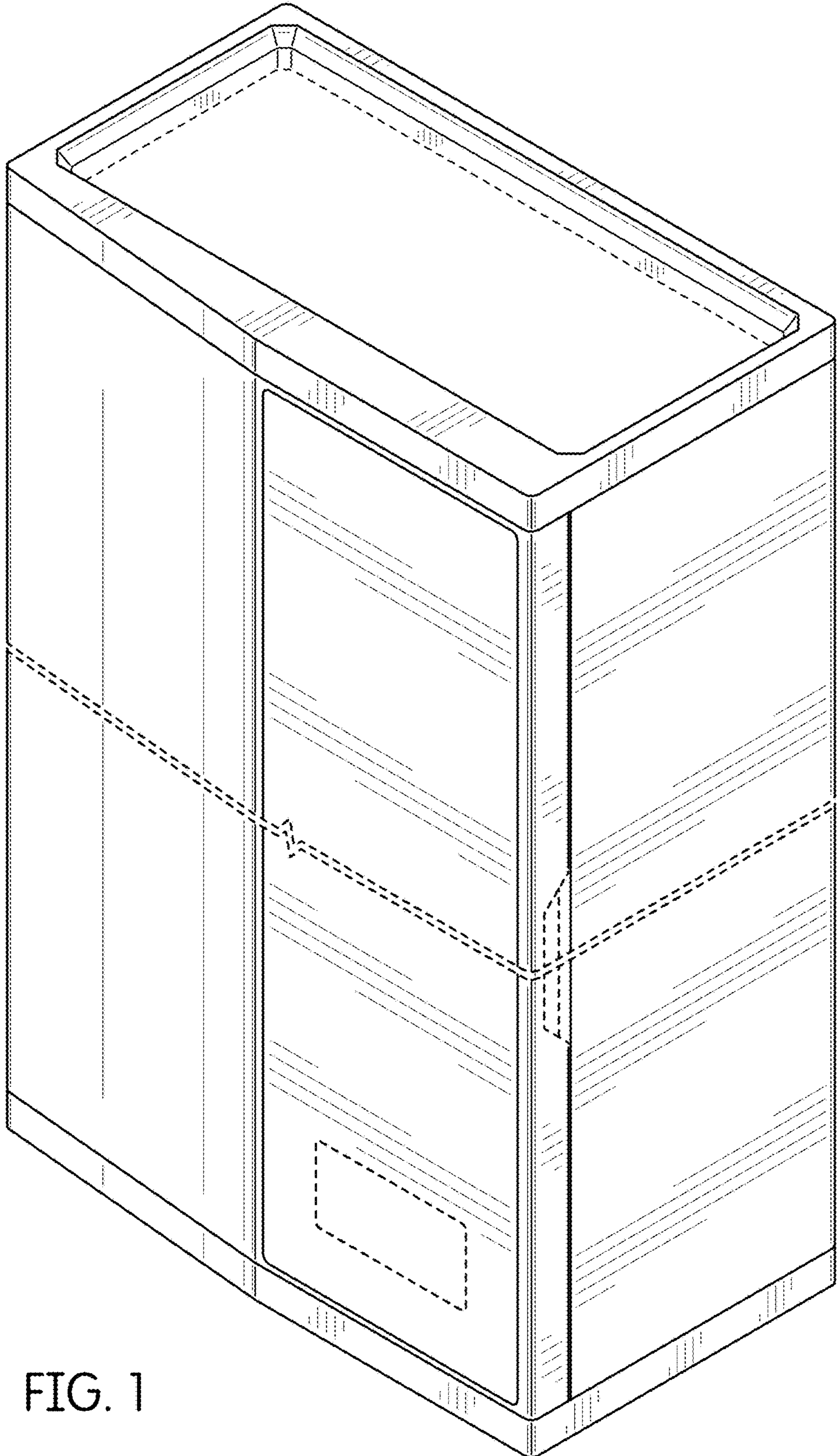


FIG. 1

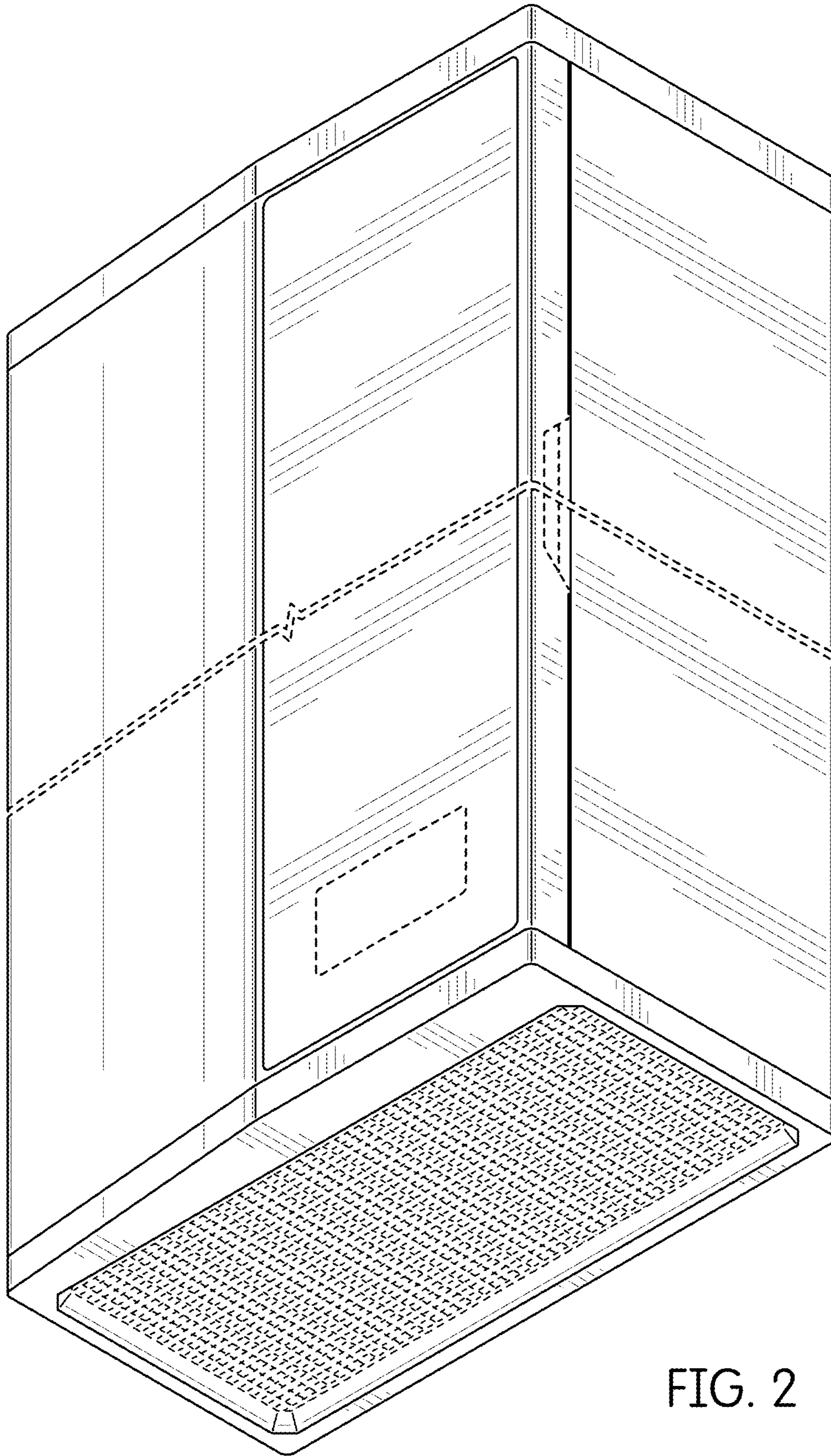


FIG. 2

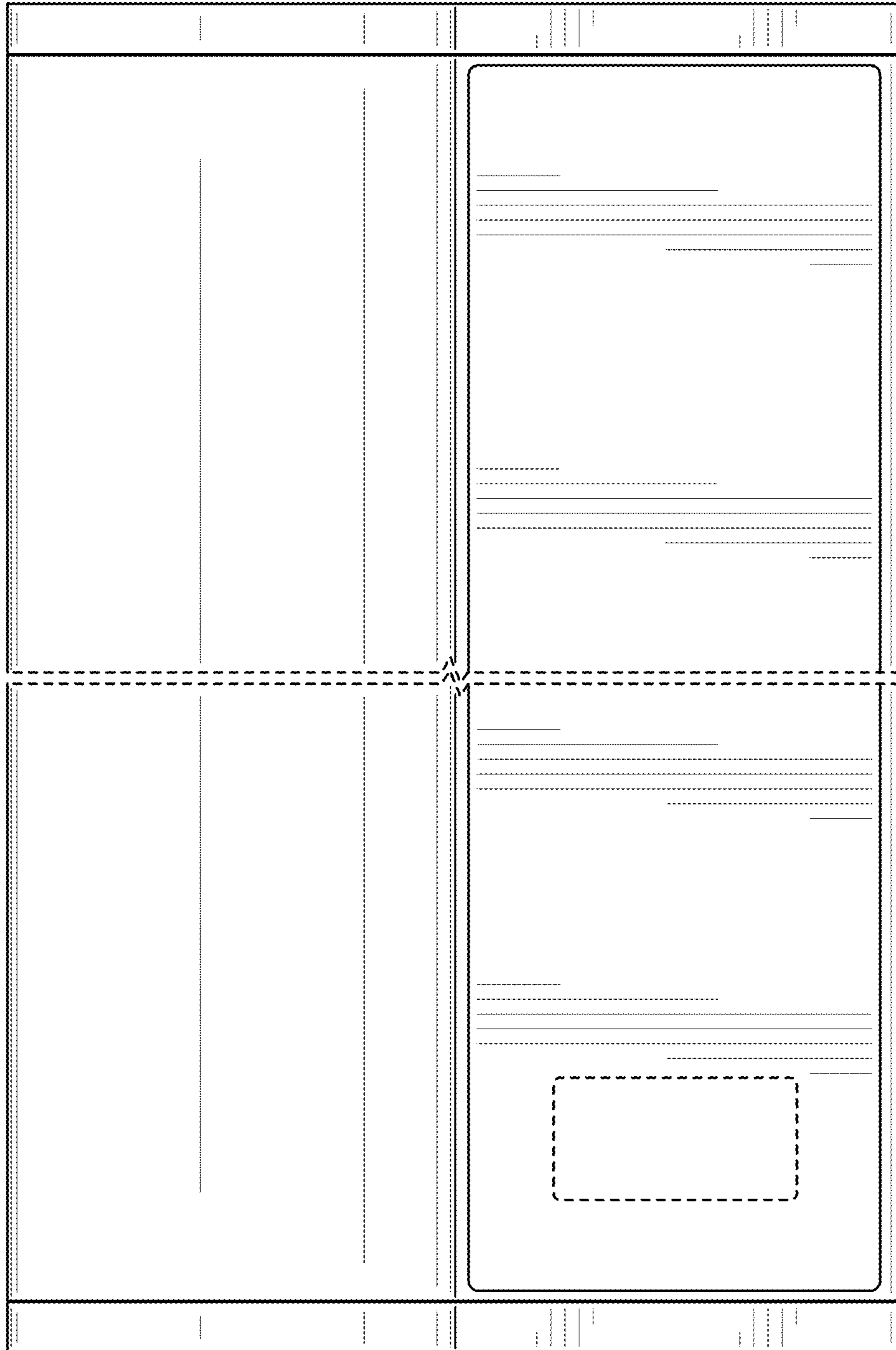


FIG. 3

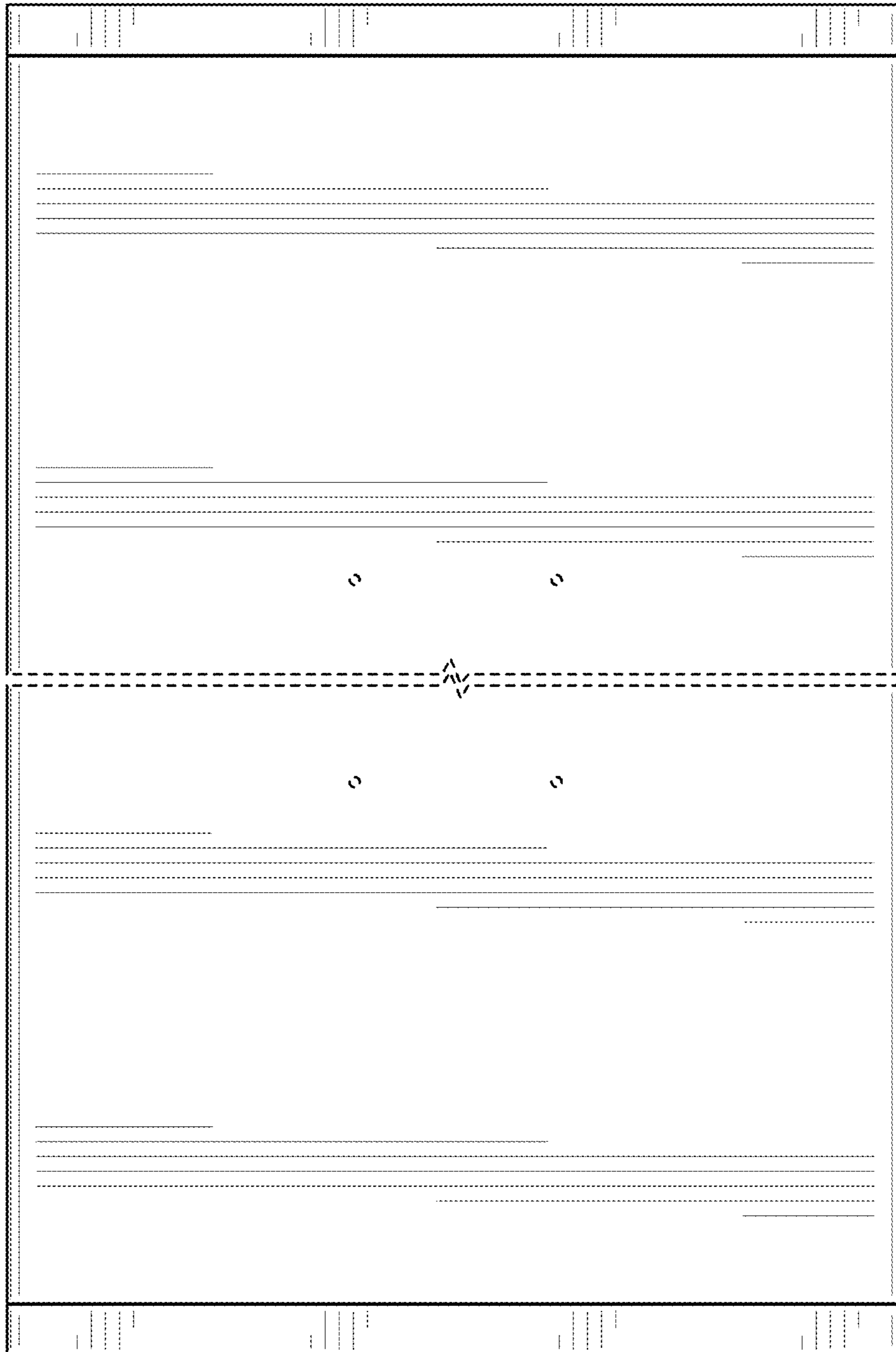


FIG. 4

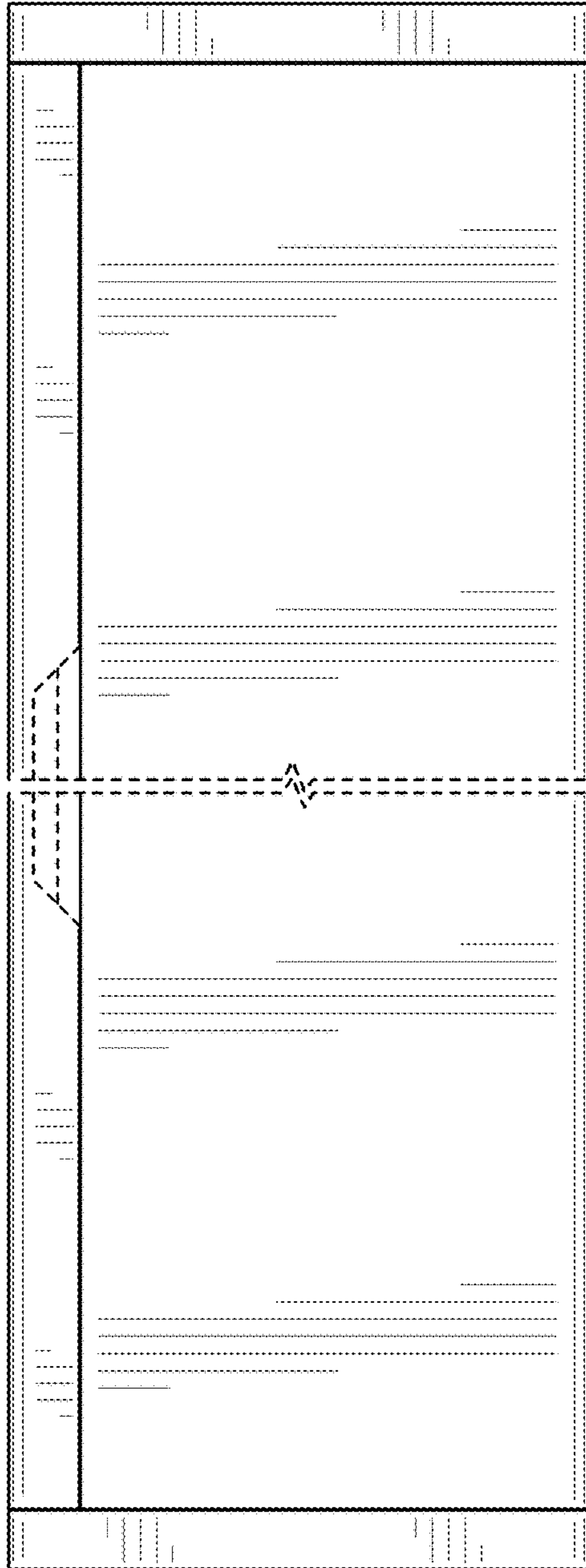


FIG. 5

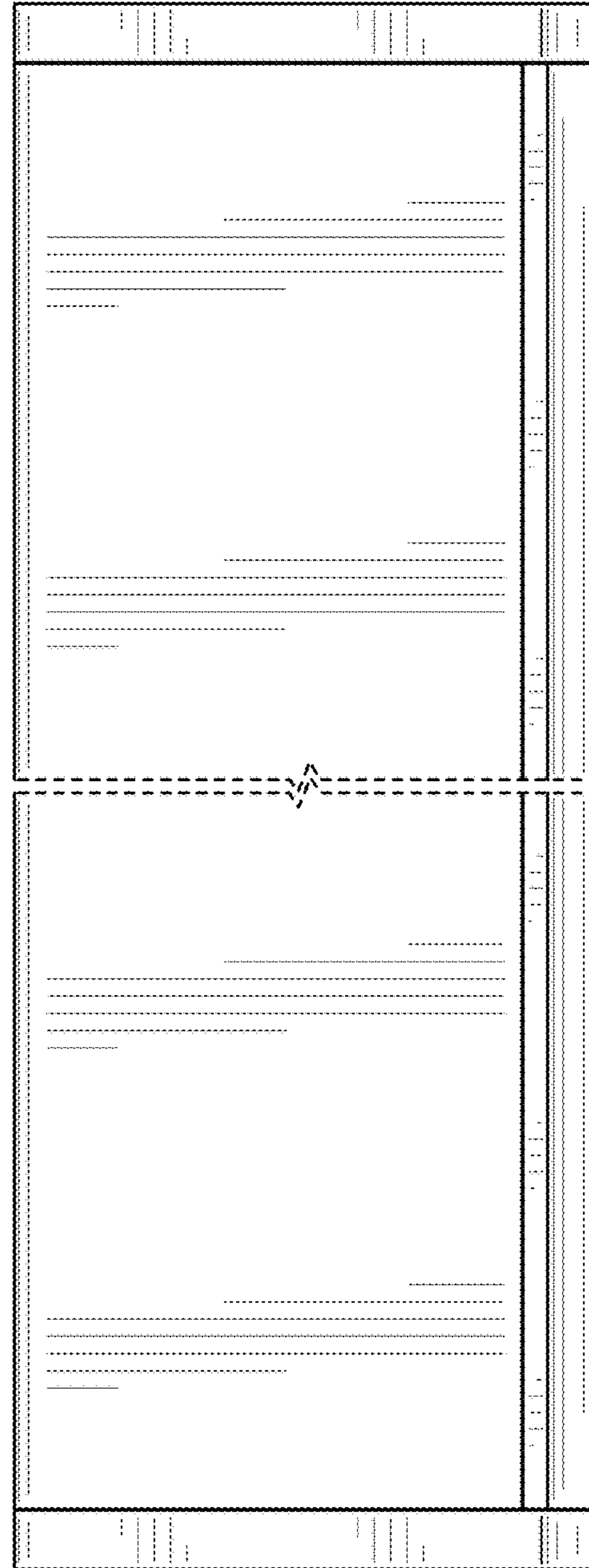


FIG. 6

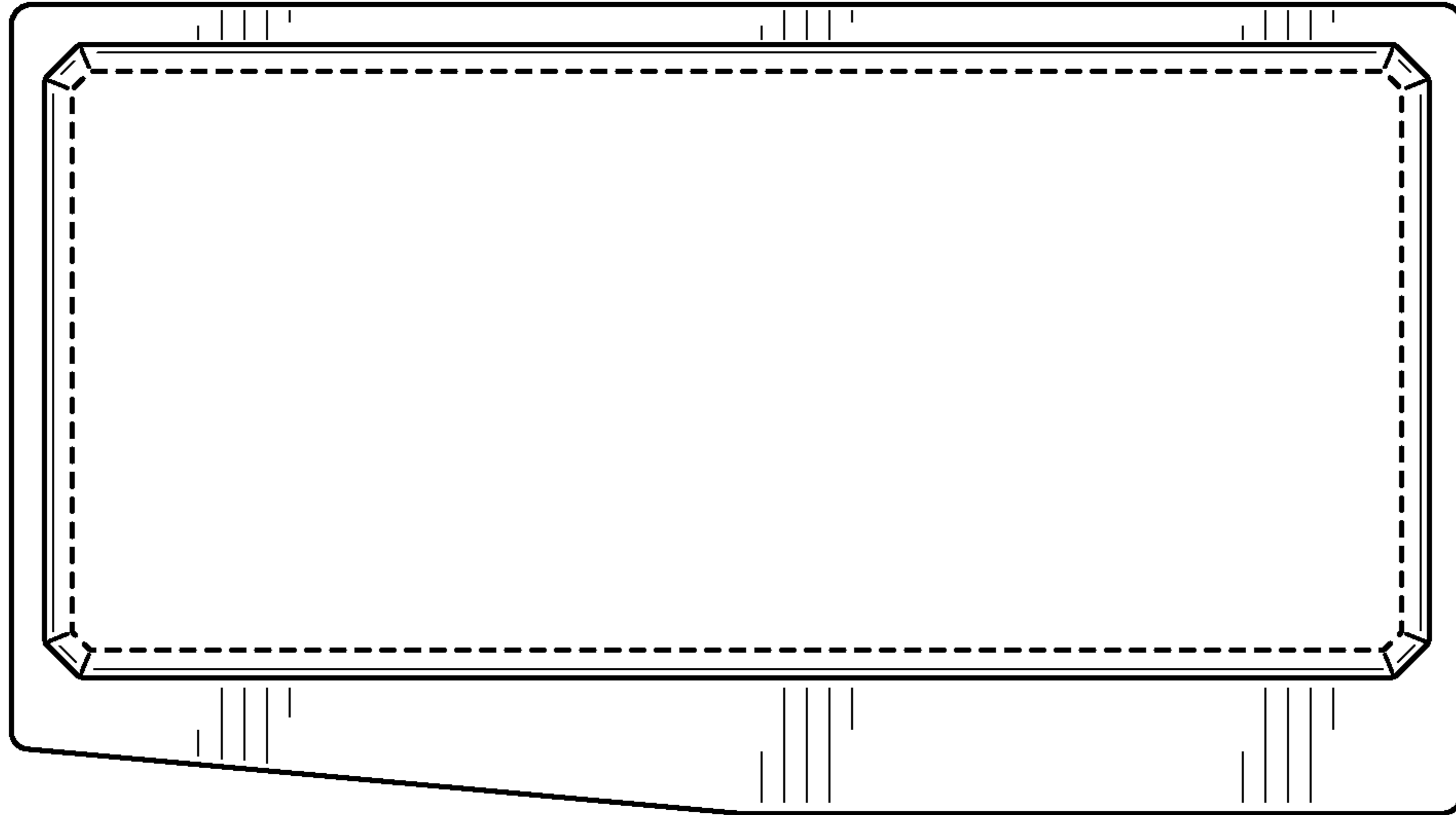


FIG. 7

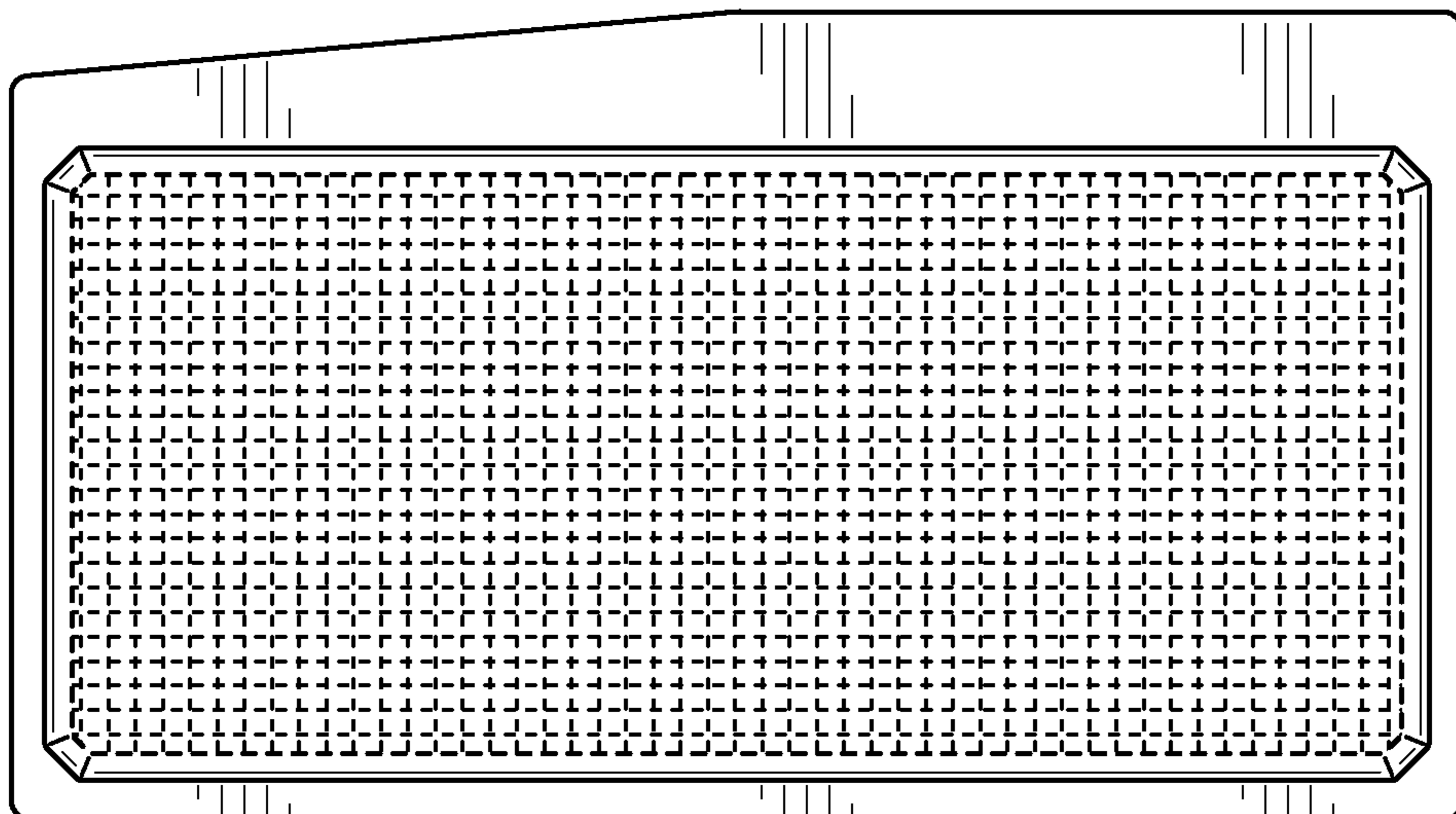


FIG. 8