



US00D779854S

(12) **United States Design Patent**
Gollinucci

(10) **Patent No.:** **US D779,854 S**

(45) **Date of Patent:** **** Feb. 28, 2017**

(54) **HOUSEHOLD CONTAINERS**

(71) Applicant: **Giacomo Gollinucci**, Cesena (IT)

(72) Inventor: **Giacomo Gollinucci**, Cesena (IT)

(**) Term: **14 Years**

(21) Appl. No.: **29/495,374**

(22) Filed: **Jun. 30, 2014**

D328,099 S *	7/1992	Williams	D19/75
D330,219 S *	10/1992	Carlson	D19/75
D334,026 S *	3/1993	Polansky	D19/75
D354,310 S *	1/1995	Crist	D19/75
D354,516 S *	1/1995	Crist	D19/75
D382,595 S *	8/1997	Raines	D19/75
D387,928 S *	12/1997	Hunt	D6/574
D394,180 S *	5/1998	St-Pierre	D6/571
D396,955 S *	8/1998	Iversen	D19/75
D411,324 S *	6/1999	Roorda	D26/72
D414,808 S *	10/1999	Hunt	D19/69
D509,249 S *	9/2005	Nelson	D19/75
2014/0001134 A1 *	1/2014	Merey	A47B 88/20 211/86.01

(30) **Foreign Application Priority Data**

Dec. 31, 2013 (EM) 001396832

(51) **LOC (10) Cl.** **06-04**

(52) **U.S. Cl.**
USPC **D6/574**

(58) **Field of Classification Search**
USPC D6/574; D7/698; D26/72; 52/287.1;
108/28-29, 152; 211/13.1, 42, 86.01,
211/88.01, 90.01, 90.03, 126.1, 134, 153;
248/205.3, 235, 243, 247, 249, 250;
312/108, 140.2, 229
CPC A47B 43/00; A47B 43/04; A47B 47/0066;
A47B 47/04; A47B 63/00; A47B 69/00;
A47B 71/00; B65D 51/00
See application file for complete search history.

(56) **References Cited**

U.S. PATENT DOCUMENTS

D256,809 S *	9/1980	Evenson	D19/75
D308,699 S *	6/1990	Ancona	D19/75
D317,180 S *	5/1991	Leszczak	D19/75
D323,532 S *	1/1992	Evenson	D19/65
D325,397 S *	4/1992	Williams	D19/75

* cited by examiner

Primary Examiner — Wan Laymon

Assistant Examiner — Mark Booker

(74) *Attorney, Agent, or Firm* — The Belles Group, P.C.

(57) **CLAIM**

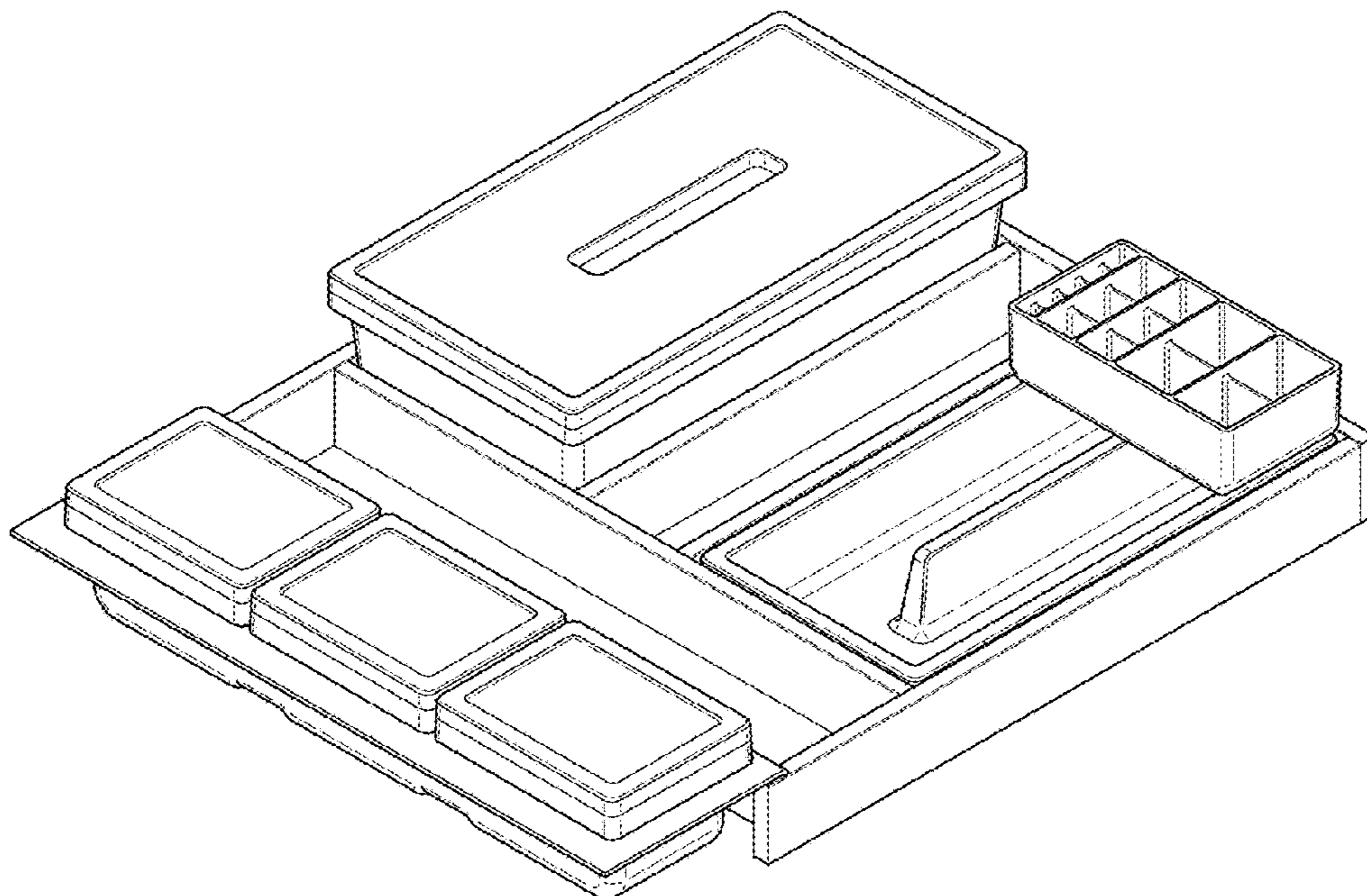
I claim the ornamental design for household containers, as shown and described.

DESCRIPTION

FIG. 1 is a perspective view of a household container in accordance with my new design;
FIG. 2 is a front view thereof;
FIG. 3 is a rear view thereof;
FIG. 4 is a left-side view thereof;
FIG. 5 is a right-side view thereof;
FIG. 6 is a top view thereof; and,
FIG. 7 is a bottom view thereof.

The broken lines formed by linear segments of equal length are provided for environmental purposes only and form no part of the claimed design.

1 Claim, 7 Drawing Sheets



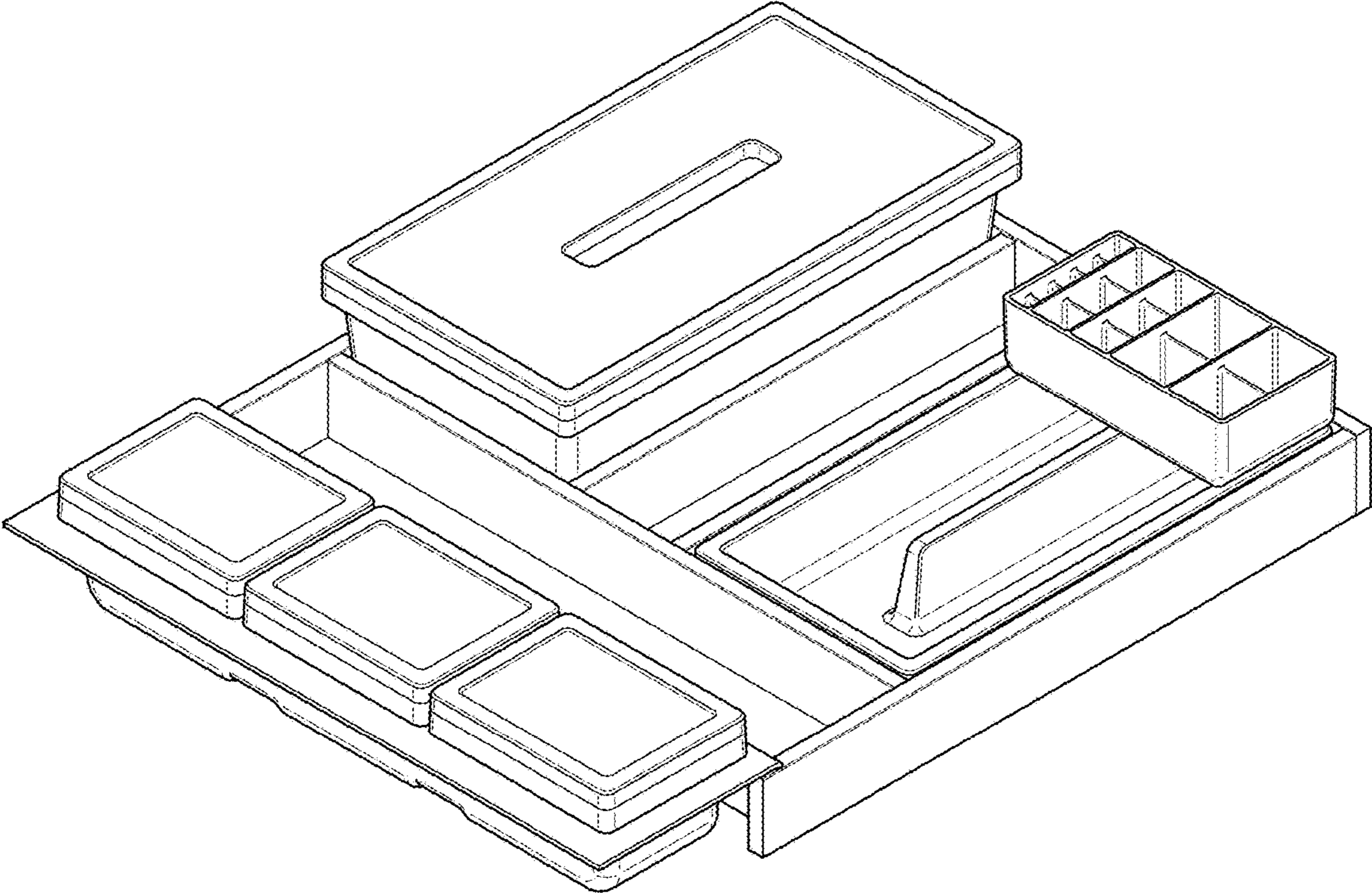


FIG. 1

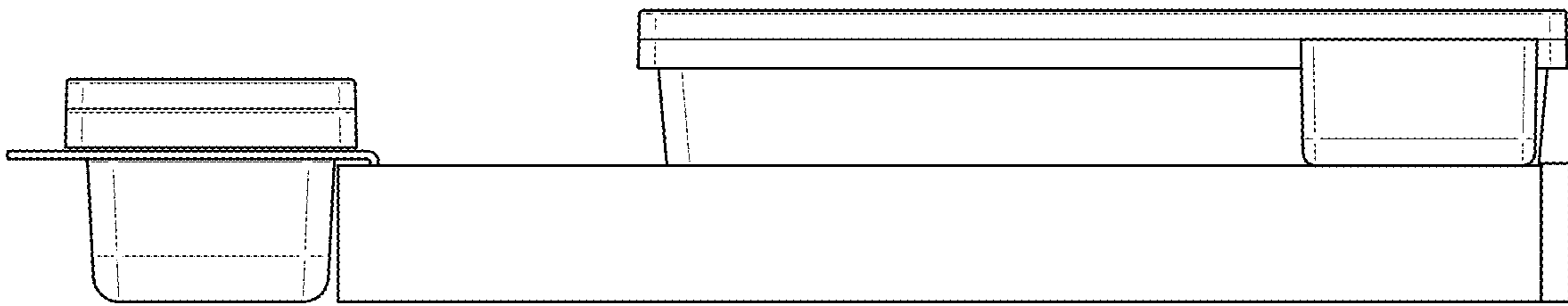


FIG. 2

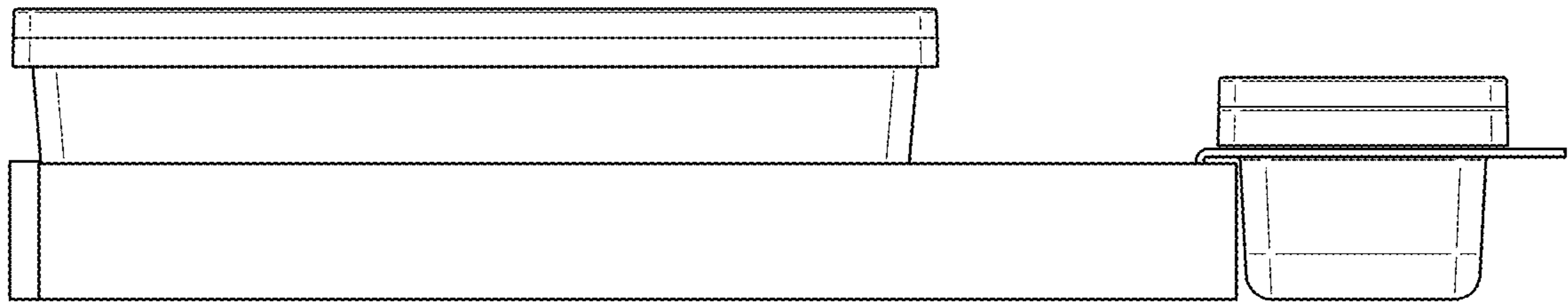


FIG. 3

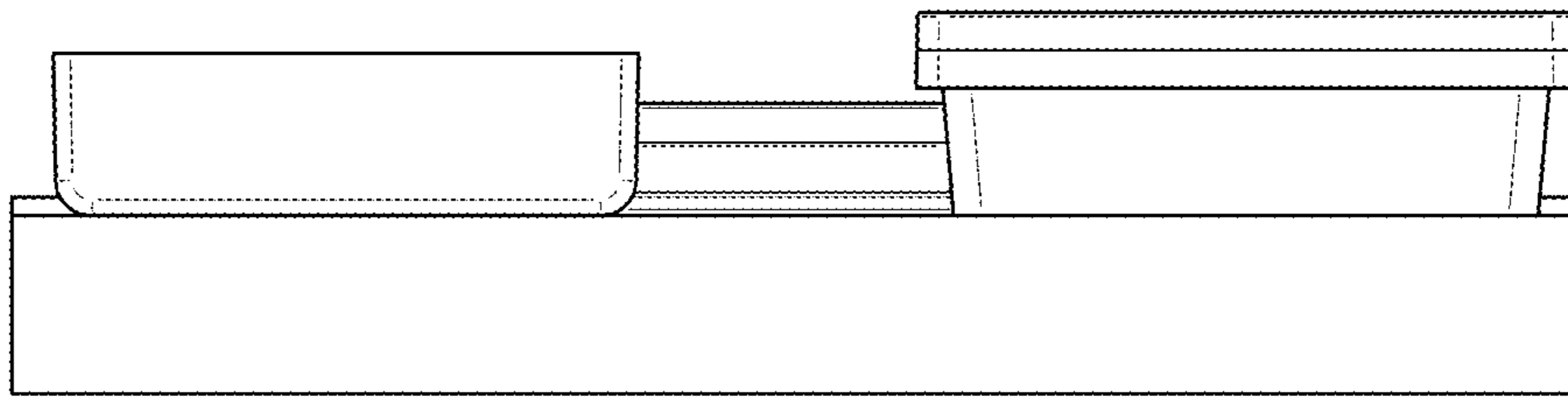


FIG. 4

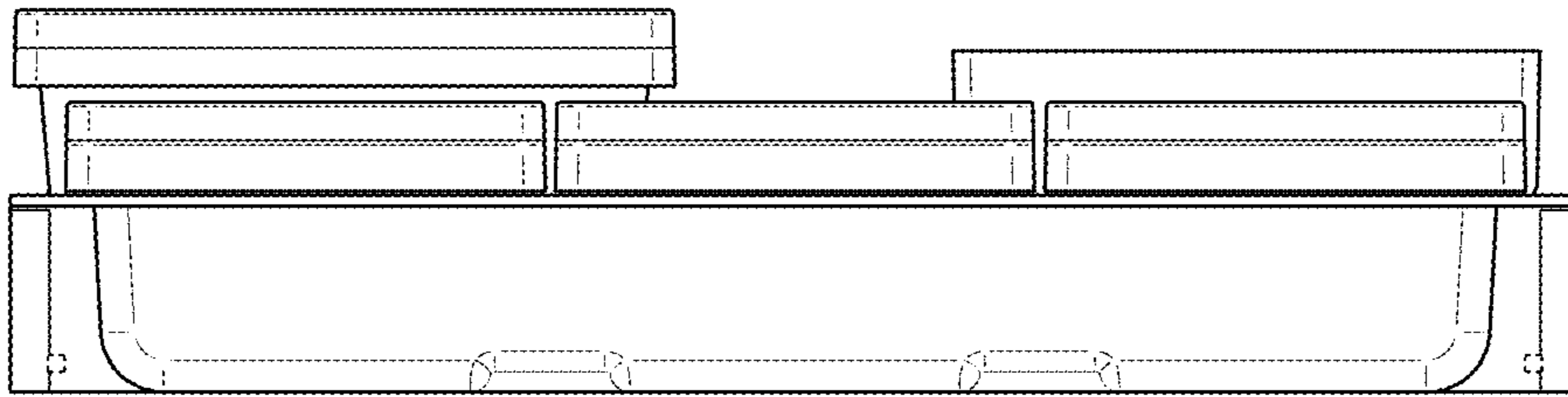


FIG. 5

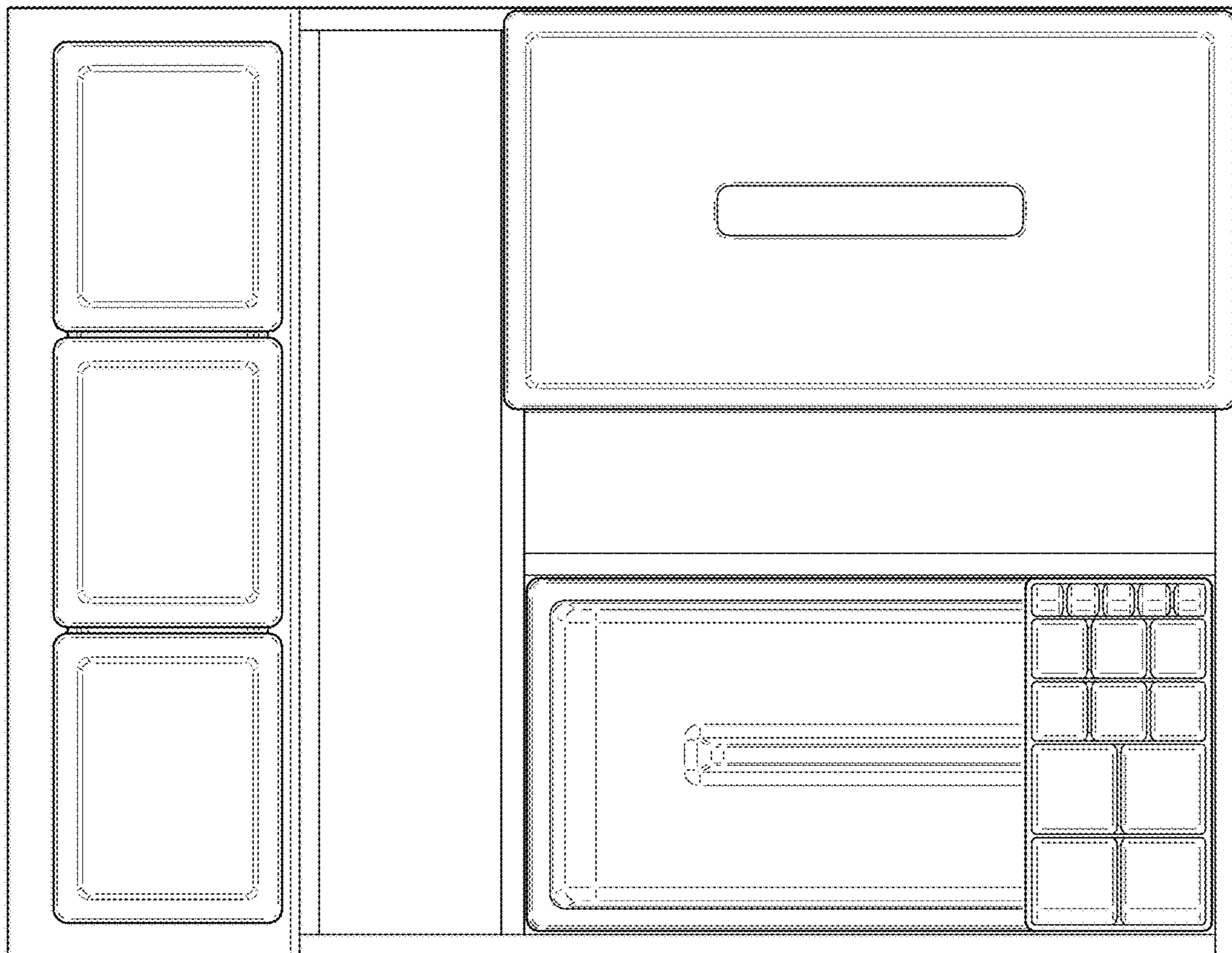


FIG. 6

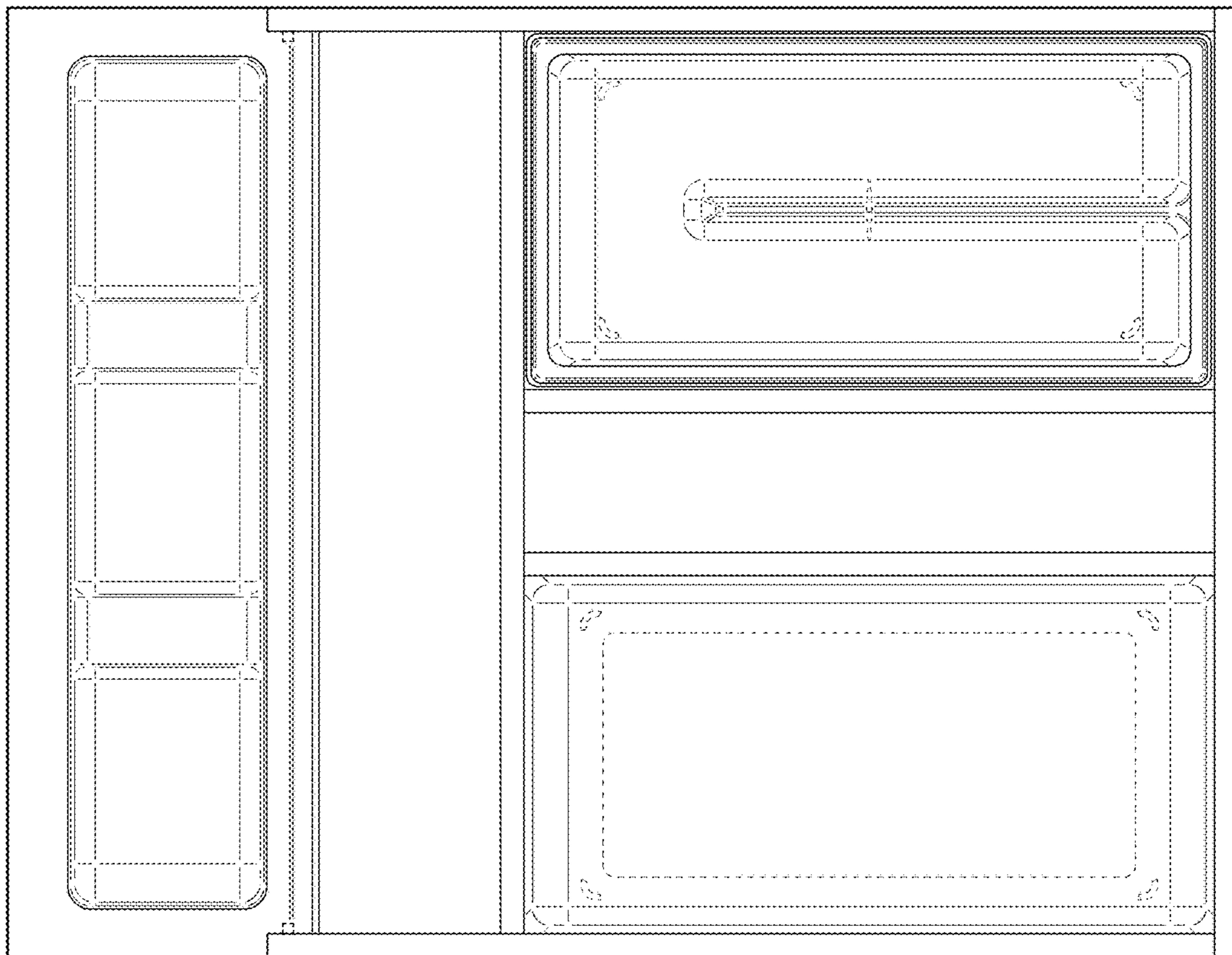


FIG. 7