



US00D779849S

(12) **United States Design Patent**  
**White, III et al.**

(10) **Patent No.:** **US D779,849 S**

(45) **Date of Patent:** **\*\* Feb. 28, 2017**

(54) **LOUNGE CHAIR**

(71) Applicant: **GABRIELLA WHITE, LLC**, Pelham, AL (US)

(72) Inventors: **William Bew White, III**, Pelham, AL (US); **Wright Currie**, Pelham, AL (US)

(73) Assignee: **Gabriella White, LLC**, Pelham, AL (US)

(\*\*) Term: **15 Years**

(21) Appl. No.: **29/541,269**

(22) Filed: **Oct. 1, 2015**

(51) **LOC (10) Cl.** ..... **06-01**

(52) **U.S. Cl.**  
USPC ..... **D6/370; D6/371; D6/373**

(58) **Field of Classification Search**  
USPC ..... **D6/334-336, 370, 371, 372, 373, 374, D6/379, 380, 716, 716.1, 716.2, 716.3, D6/716.4**

CPC ..... **A47C 3/04; A47C 4/02; A47C 4/03; A47C 4/028; A47C 7/16; A47C 7/22**

See application file for complete search history.

(56) **References Cited**

**U.S. PATENT DOCUMENTS**

D233,494 S \* 11/1974 Bolyos ..... D6/373  
D329,338 S \* 9/1992 Komai ..... D6/370

D332,355 S \* 1/1993 Maruya ..... D6/373  
D333,042 S \* 2/1993 Komai ..... D6/371  
D340,143 S \* 10/1993 Caldwell ..... D6/370  
D438,398 S \* 3/2001 Frinier ..... D6/379  
D495,156 S \* 8/2004 Gower ..... D6/370  
D498,938 S \* 11/2004 Kingsley ..... D6/370  
D513,369 S \* 1/2006 Cross ..... D6/370  
D544,724 S \* 6/2007 Gower ..... D6/374  
D547,081 S \* 7/2007 Wang ..... D6/380  
D547,082 S \* 7/2007 Wang ..... D6/370

\* cited by examiner

*Primary Examiner* — Mimosa De

(74) *Attorney, Agent, or Firm* — Joseph S. Bird, III; Bradley Arant Boult Cummings, LLP

(57) **CLAIM**

The ornamental design for a lounge chair, as shown and described.

**DESCRIPTION**

FIG. 1 is a perspective view of the front and side of the lounge chair showing our ornamental design.

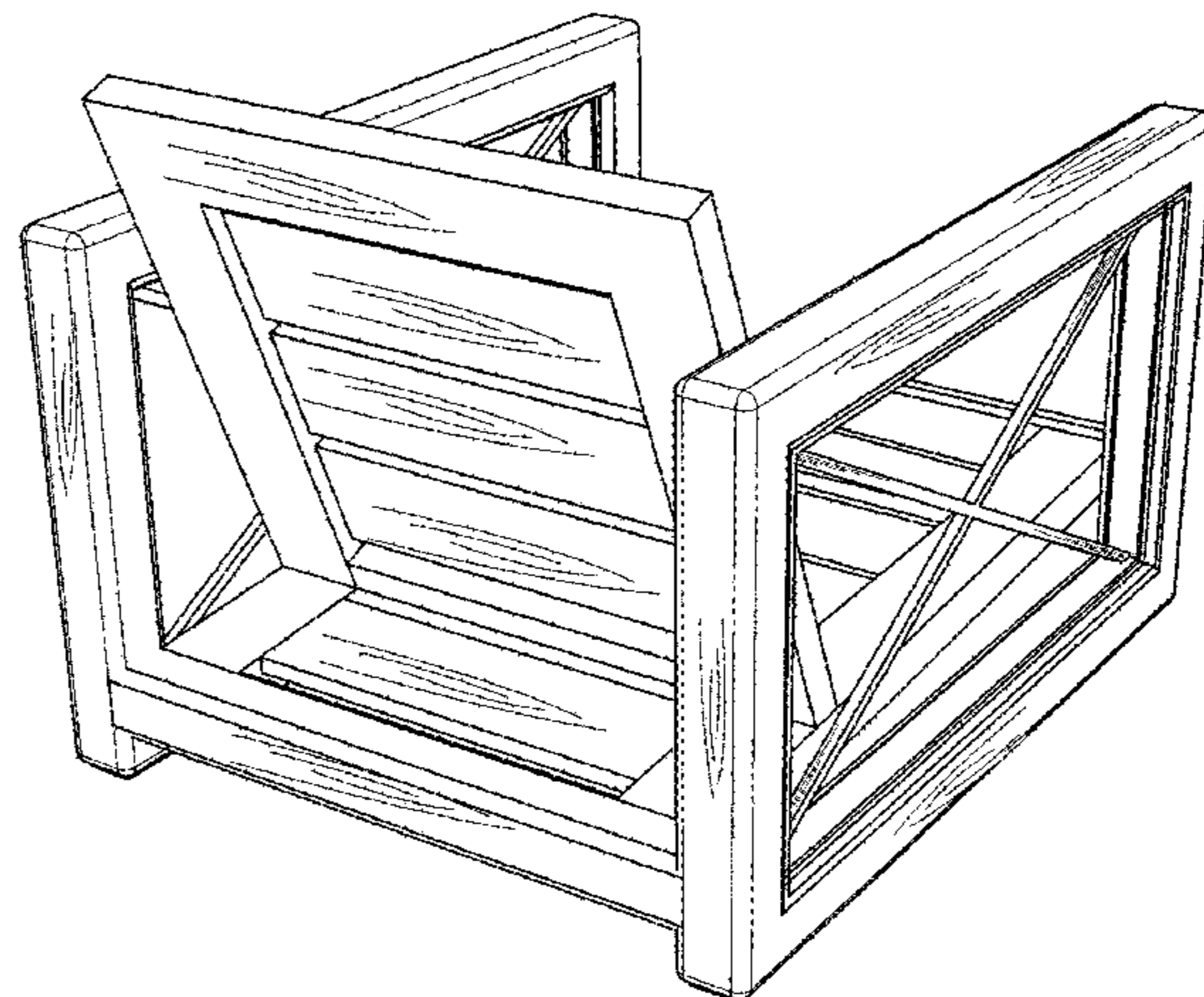
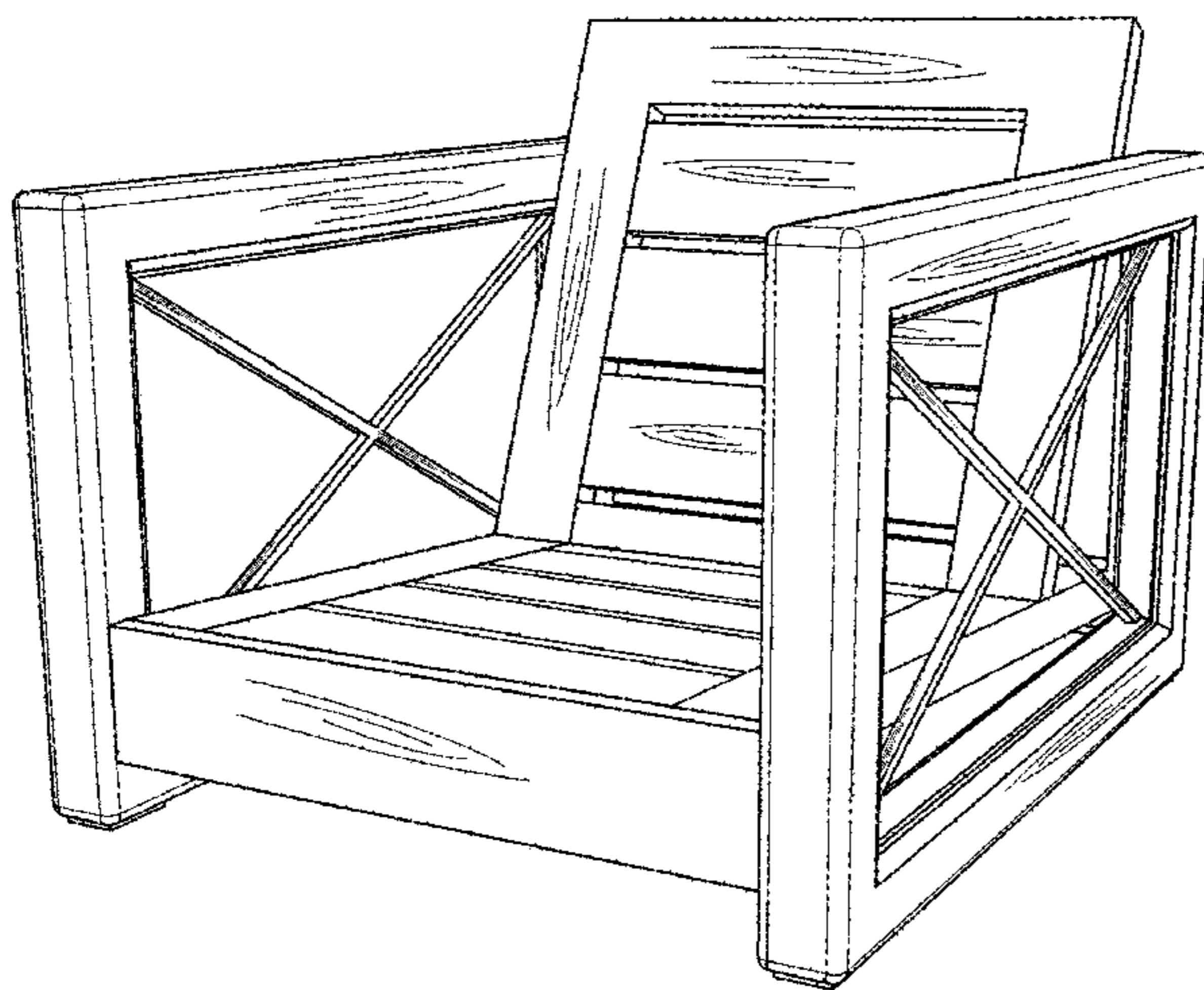
FIG. 2 is a perspective view of the rear and side of the lounge chair.

FIG. 3 is a side elevation view of the lounge chair, the opposite side being a mirror image thereof.

FIG. 4 is a rear elevation view of the lounge chair; and, FIG. 5 is a front elevation view of the lounge chair.

The lounge chair is intended to be used with a seat cushion which is not depicted.

**1 Claim, 5 Drawing Sheets**



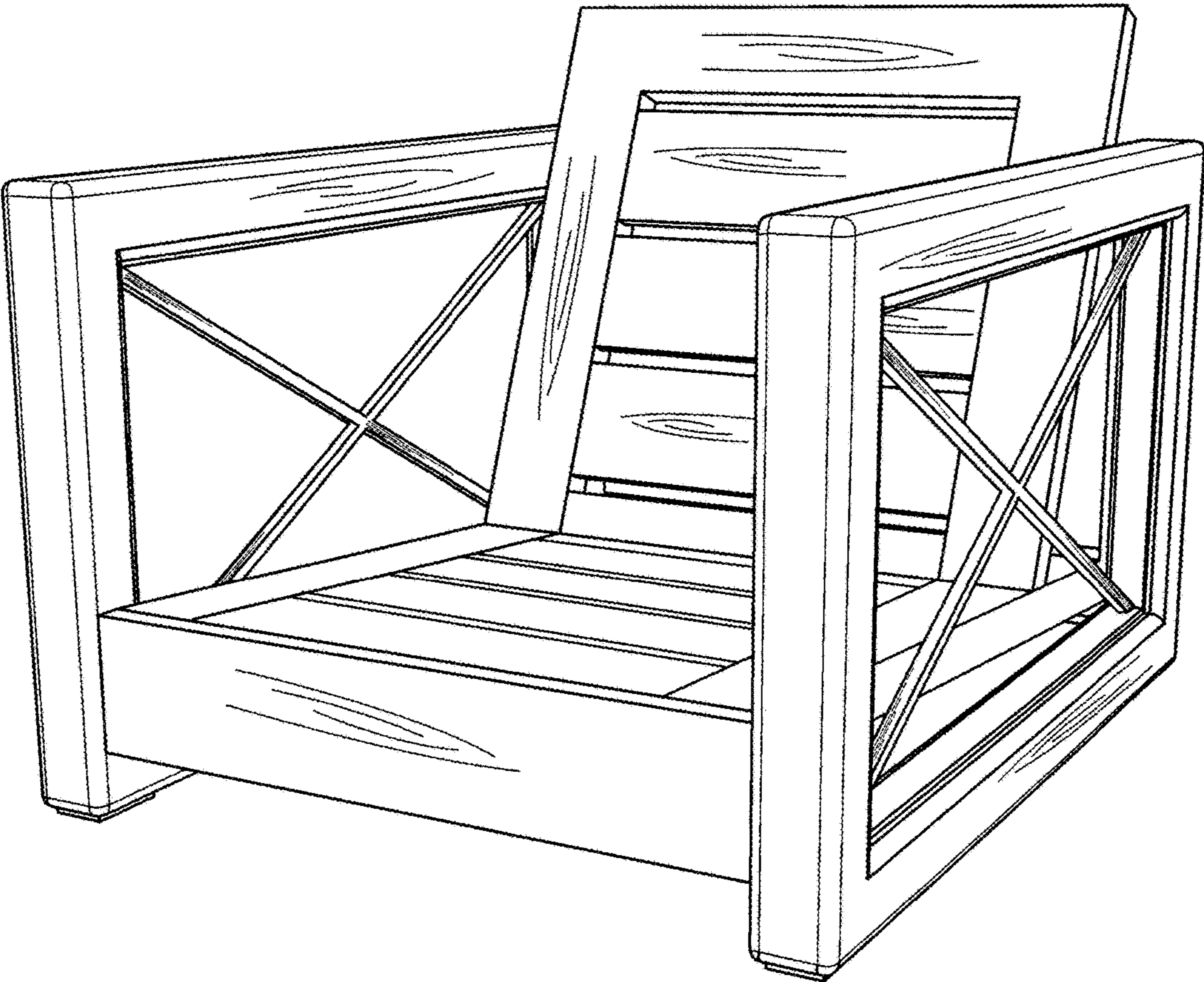


FIG. 1

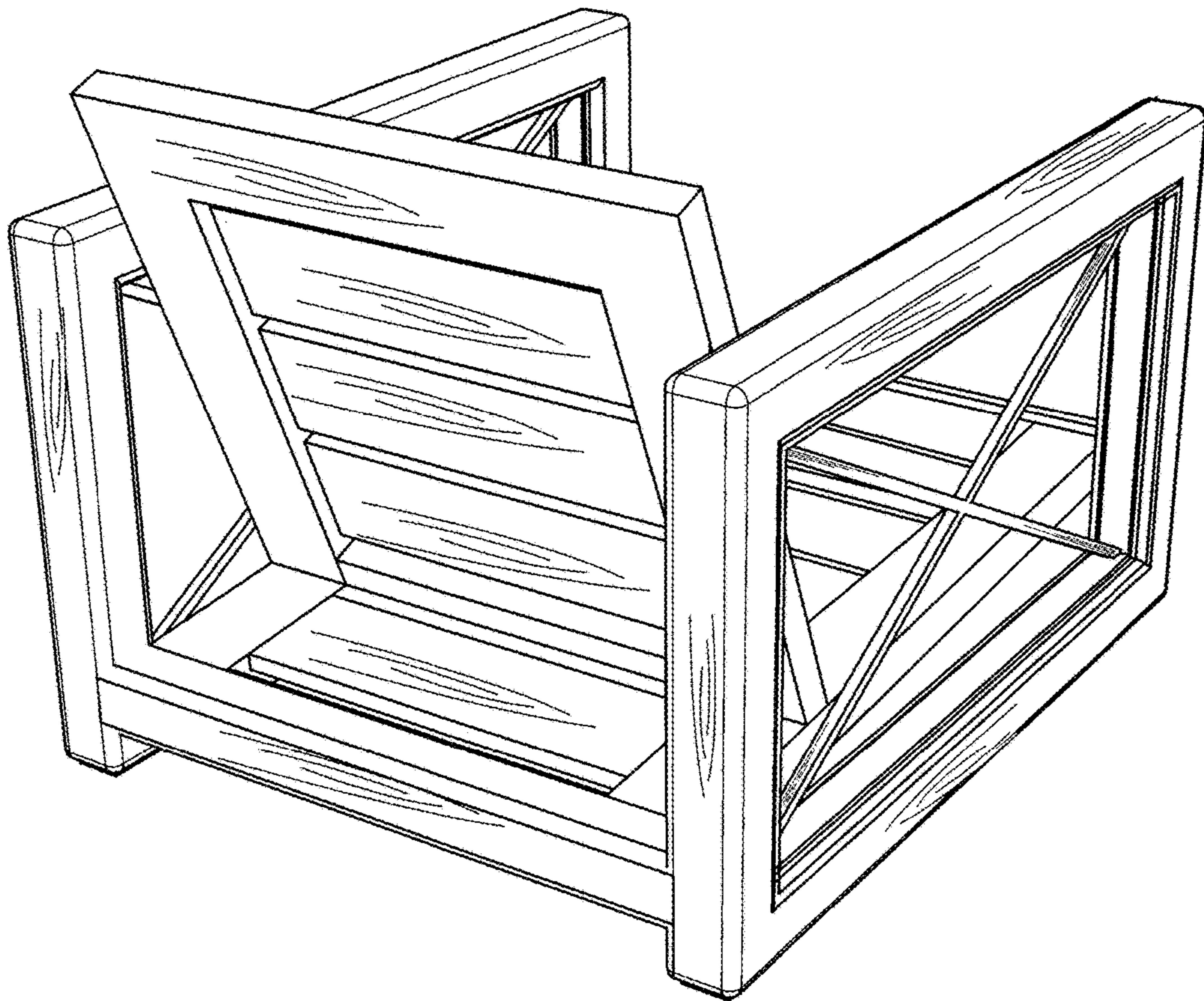


FIG. 2

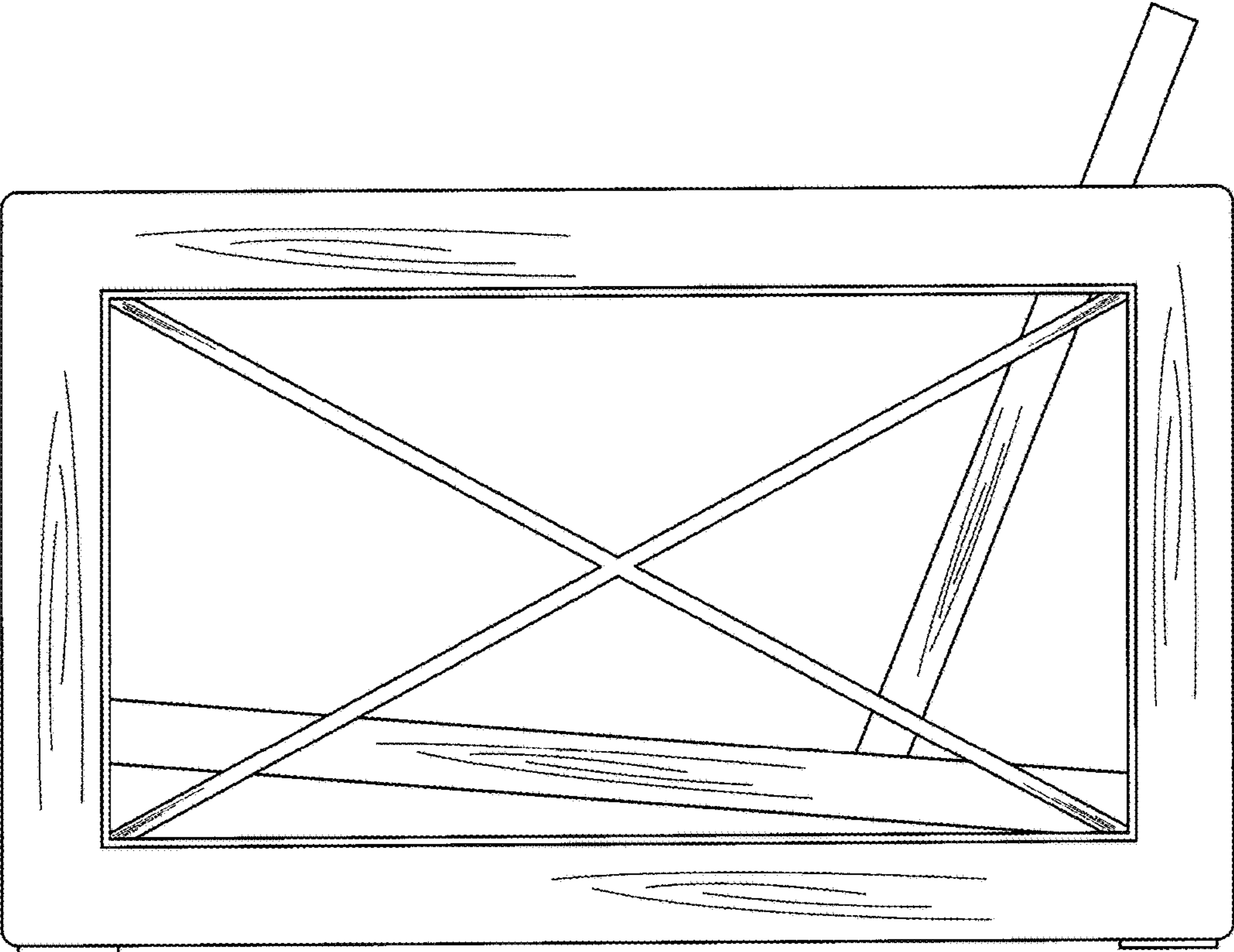


FIG. 3

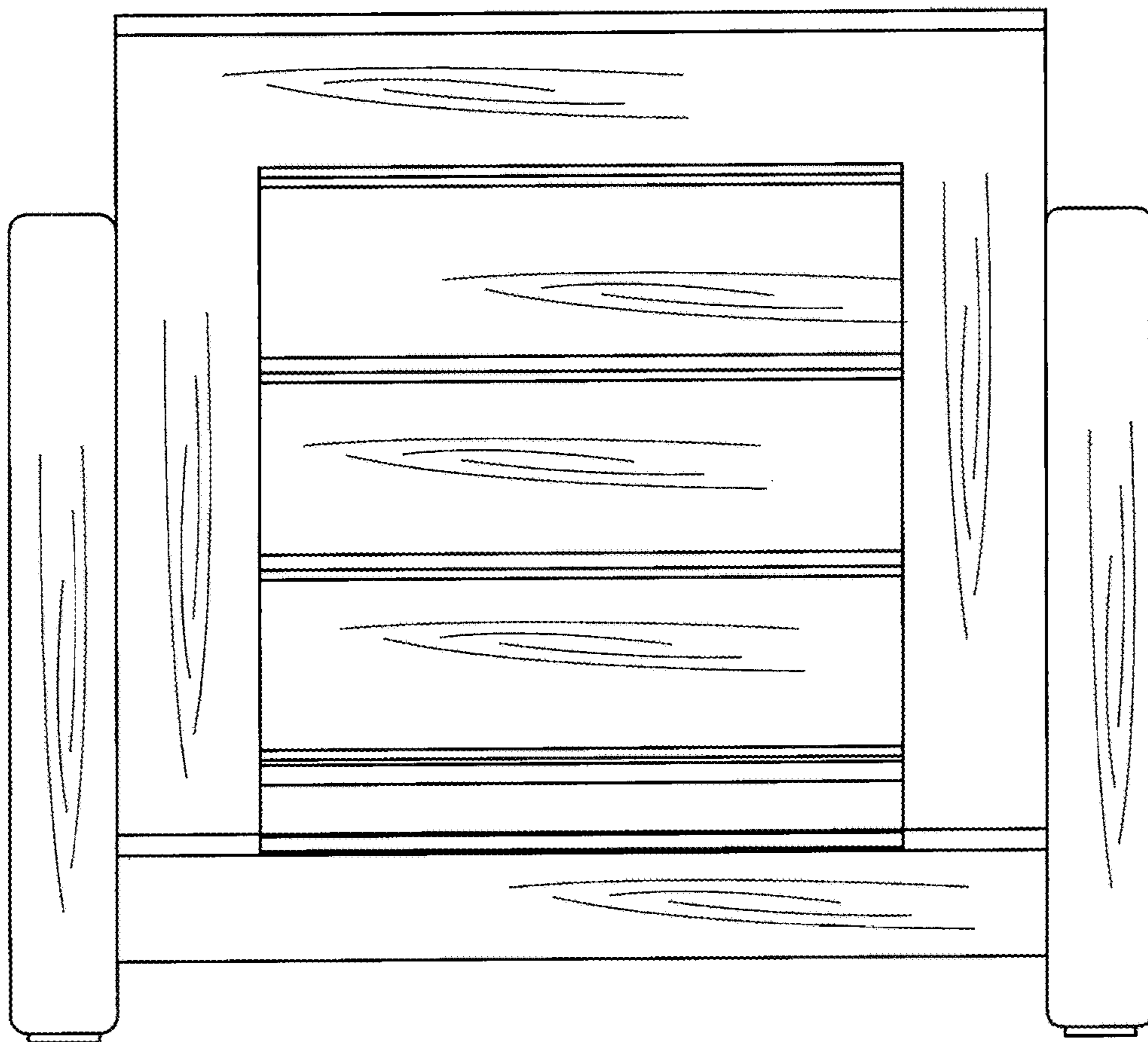


FIG. 4

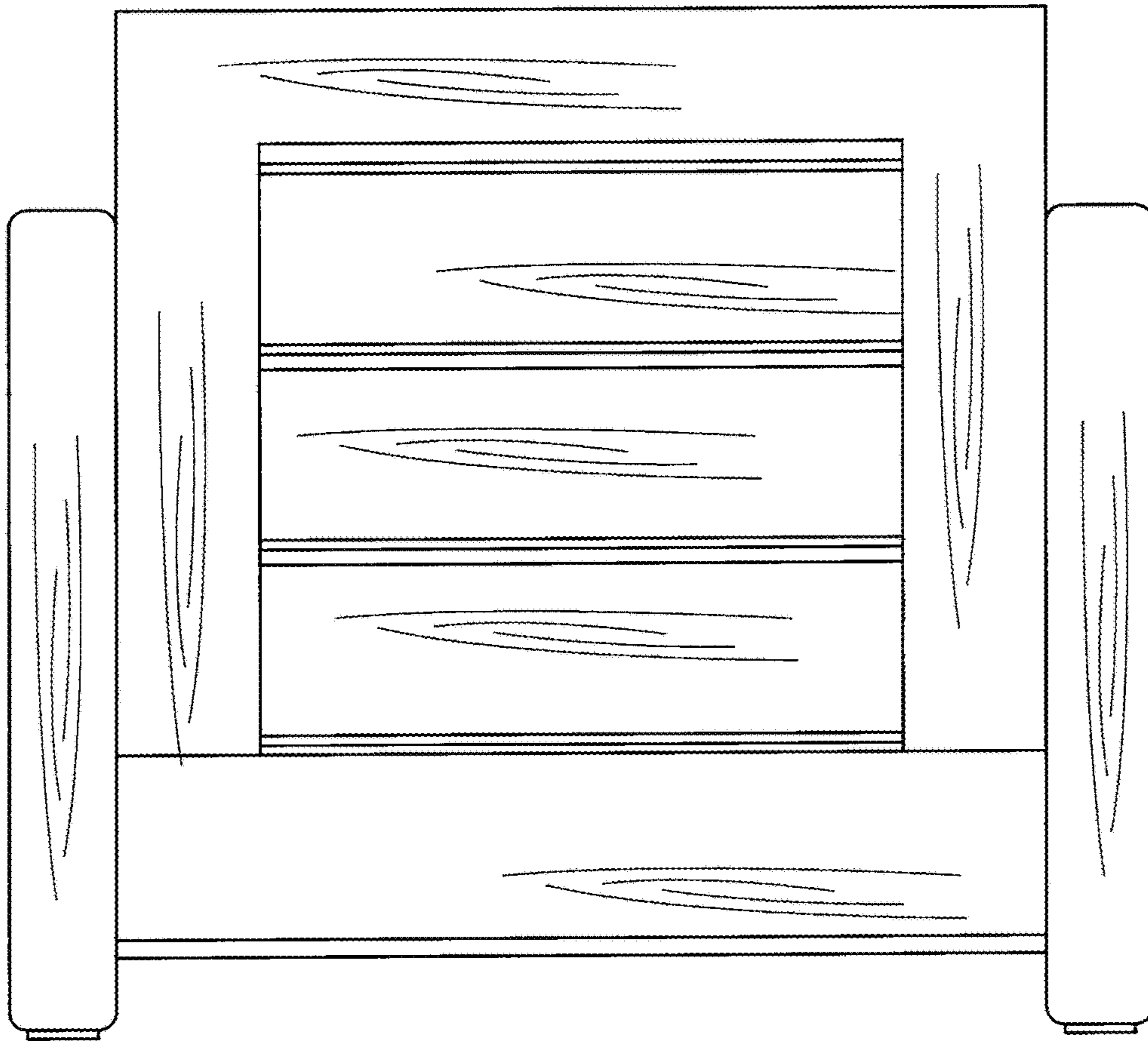


FIG. 5