



US00D779848S

(12) **United States Design Patent**
Burden

(10) **Patent No.:** **US D779,848 S**

(45) **Date of Patent:** **** Feb. 28, 2017**

(54) **CHAIR**

(71) Applicant: **Ian James Burden**, Sovereign Islands (AU)

(72) Inventor: **Ian James Burden**, Sovereign Islands (AU)

(**) Term: **15 Years**

(21) Appl. No.: **29/529,628**

(22) Filed: **Jun. 9, 2015**

(30) **Foreign Application Priority Data**

Dec. 12, 2014 (AU) 201416532

(51) **LOC (10) Cl.** **06-01**

(52) **U.S. Cl.**
USPC **D6/370**

(58) **Field of Classification Search**

USPC D6/334-336, 368, 370, 371-373, 379, D6/380, 716, 716.1, 716.2, 716.3, 716.4
CPC A47C 3/04; A47C 4/02; A47C 4/03; A47C 4/08; A47C 4/10; A47C 4/021; A47C 4/028; A47C 5/04; A47C 7/16
See application file for complete search history.

(56) **References Cited**

U.S. PATENT DOCUMENTS

732,736 A * 7/1903 Gruenwald A47C 5/04
297/440.1
910,229 A * 1/1909 Potter A47C 4/10
297/60

D111,906 S * 10/1938 Davis et al. D6/380
2,669,295 A * 2/1954 Shepherdson A47C 4/02
297/440.21
2,697,481 A * 12/1954 Zoercher A47C 4/10
297/60
3,527,498 A * 9/1970 Werner A47C 7/16
297/451.11
D299,292 S * 1/1989 Grosfillex D6/367
D375,636 S * 11/1996 Arcese D6/370
D511,420 S * 11/2005 Haralson D6/370
D617,108 S * 6/2010 Niermeyer D6/368
D653,470 S * 2/2012 Niermeyer D6/368

* cited by examiner

Primary Examiner — Mimosa De

(74) *Attorney, Agent, or Firm* — Dykema Gossett PLLC

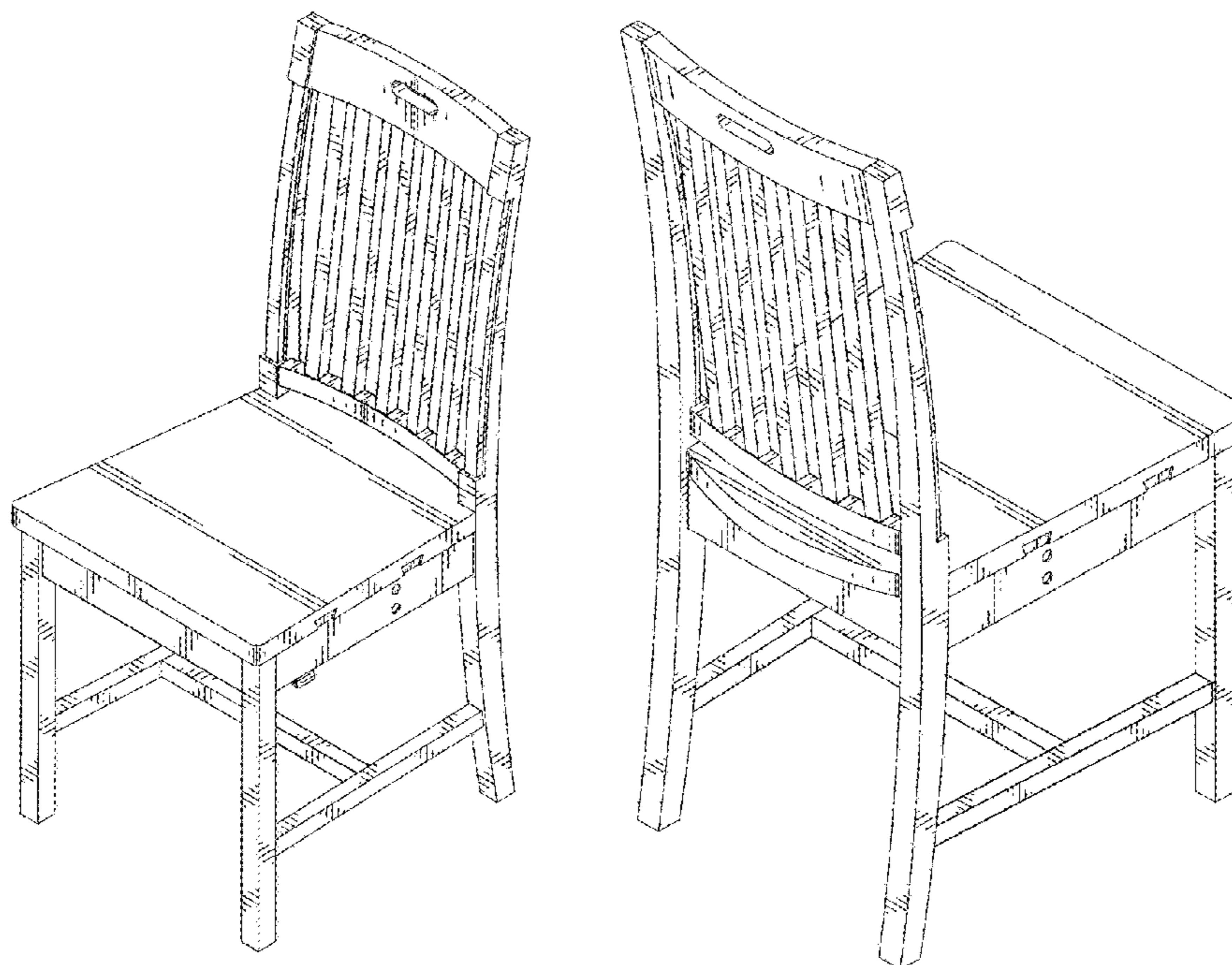
(57) **CLAIM**

The ornamental design of a chair, as shown and described.

DESCRIPTION

FIG. 1 is a front perspective view of a chair showing my new and ornamental design,
FIG. 2 is a first rear perspective view thereof,
FIG. 3 is a second rear perspective view thereof,
FIG. 4 is a top plan view thereof,
FIG. 5 is a bottom plan view thereof,
FIG. 6 is an elevational front view thereof,
FIG. 7 is an elevational rear view thereof,
FIG. 8 is an elevational right side view thereof; and,
FIG. 9 is an elevational left side view thereof.
Features depicted in broken lines in FIG. 5 form no part of the claimed invention.

1 Claim, 9 Drawing Sheets



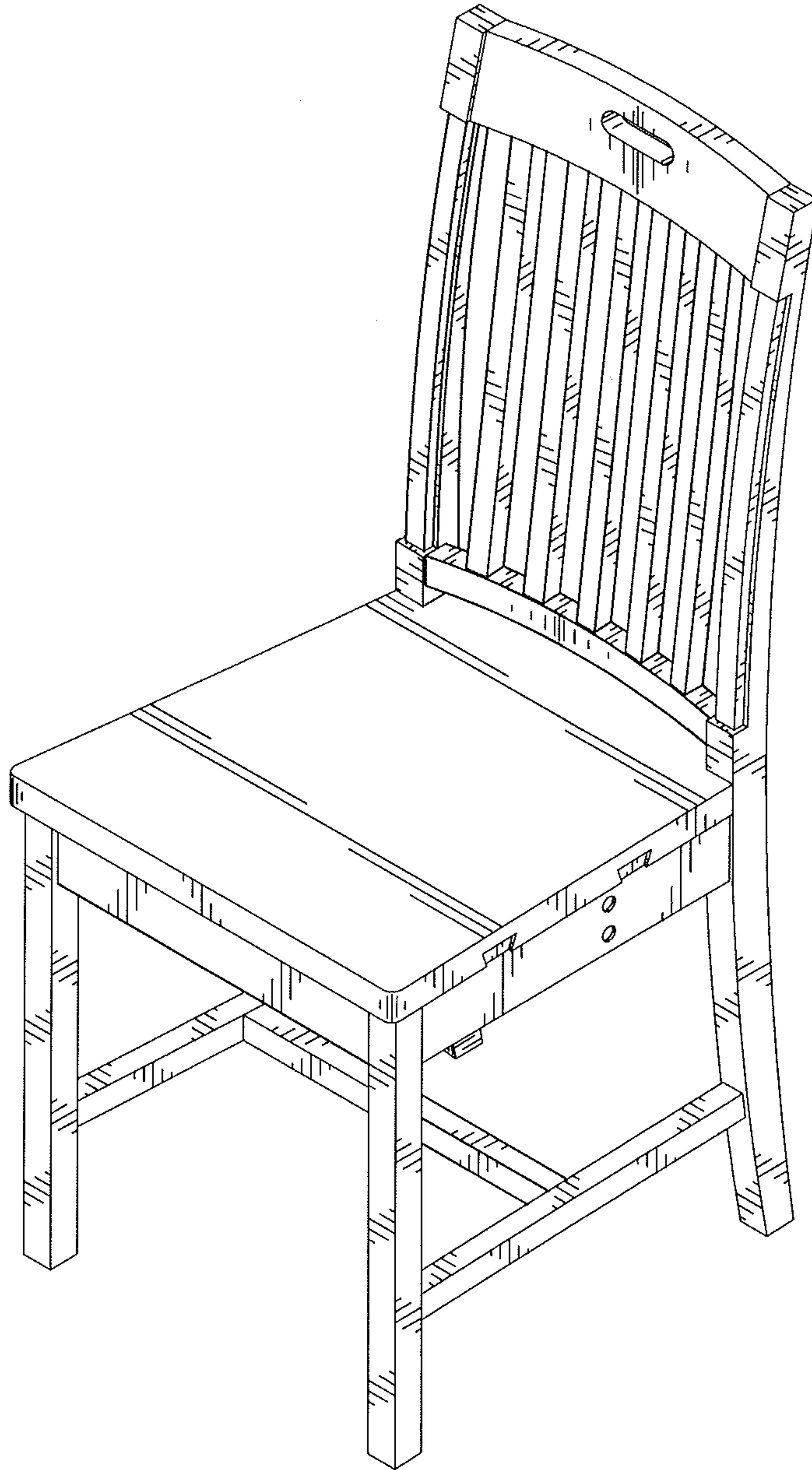


FIG. 1

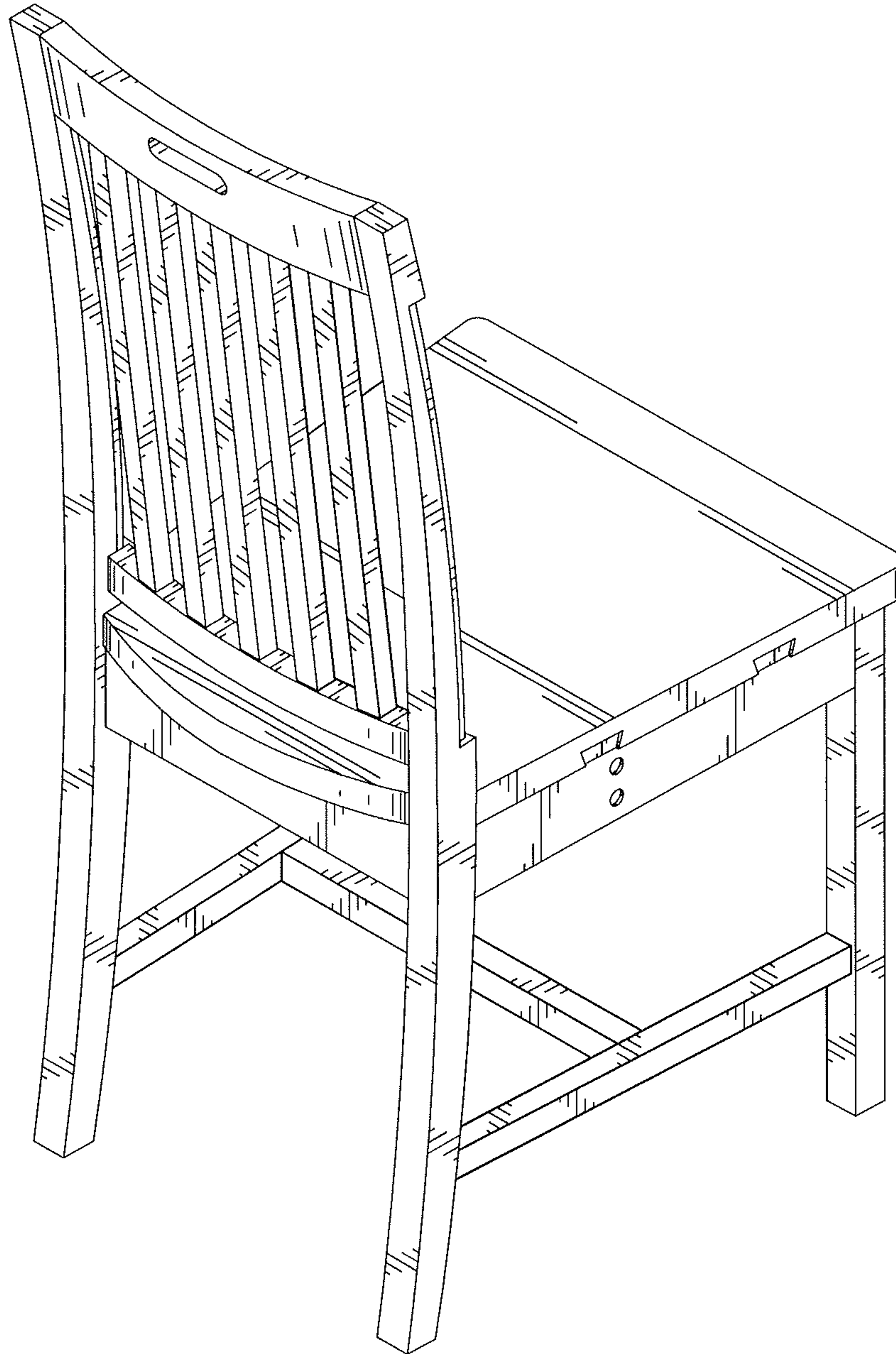


FIG. 2

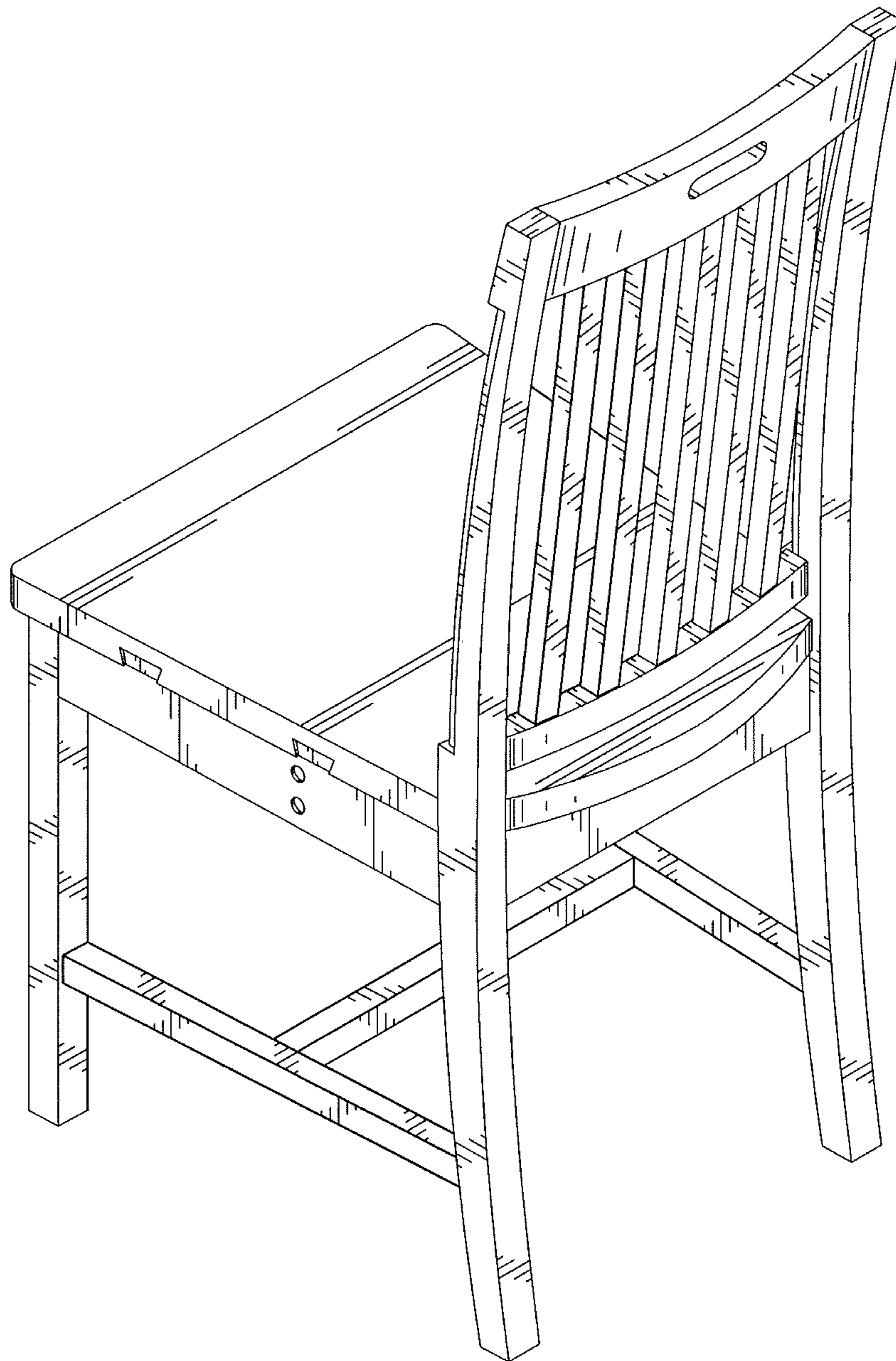


FIG. 3

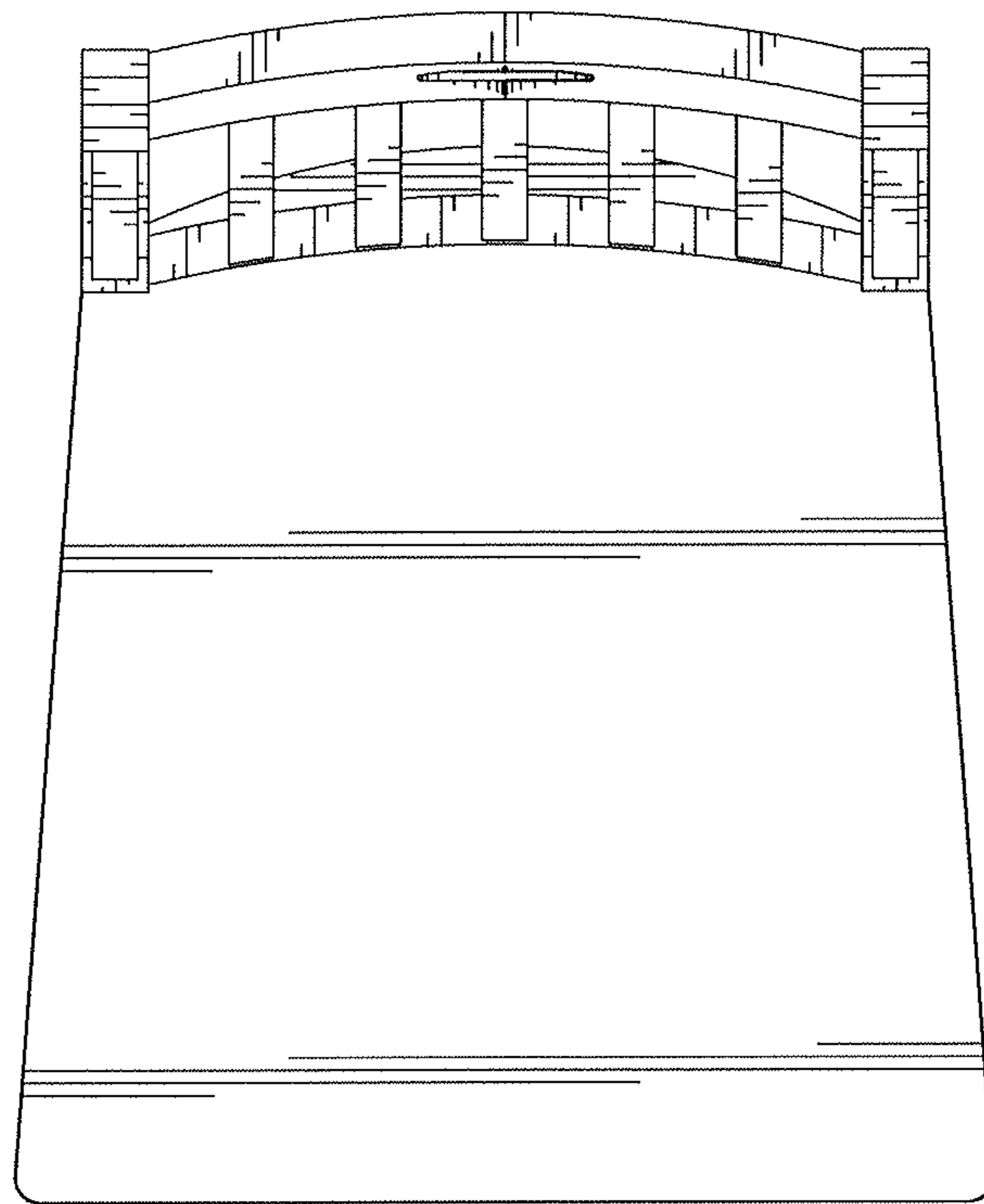


FIG. 4

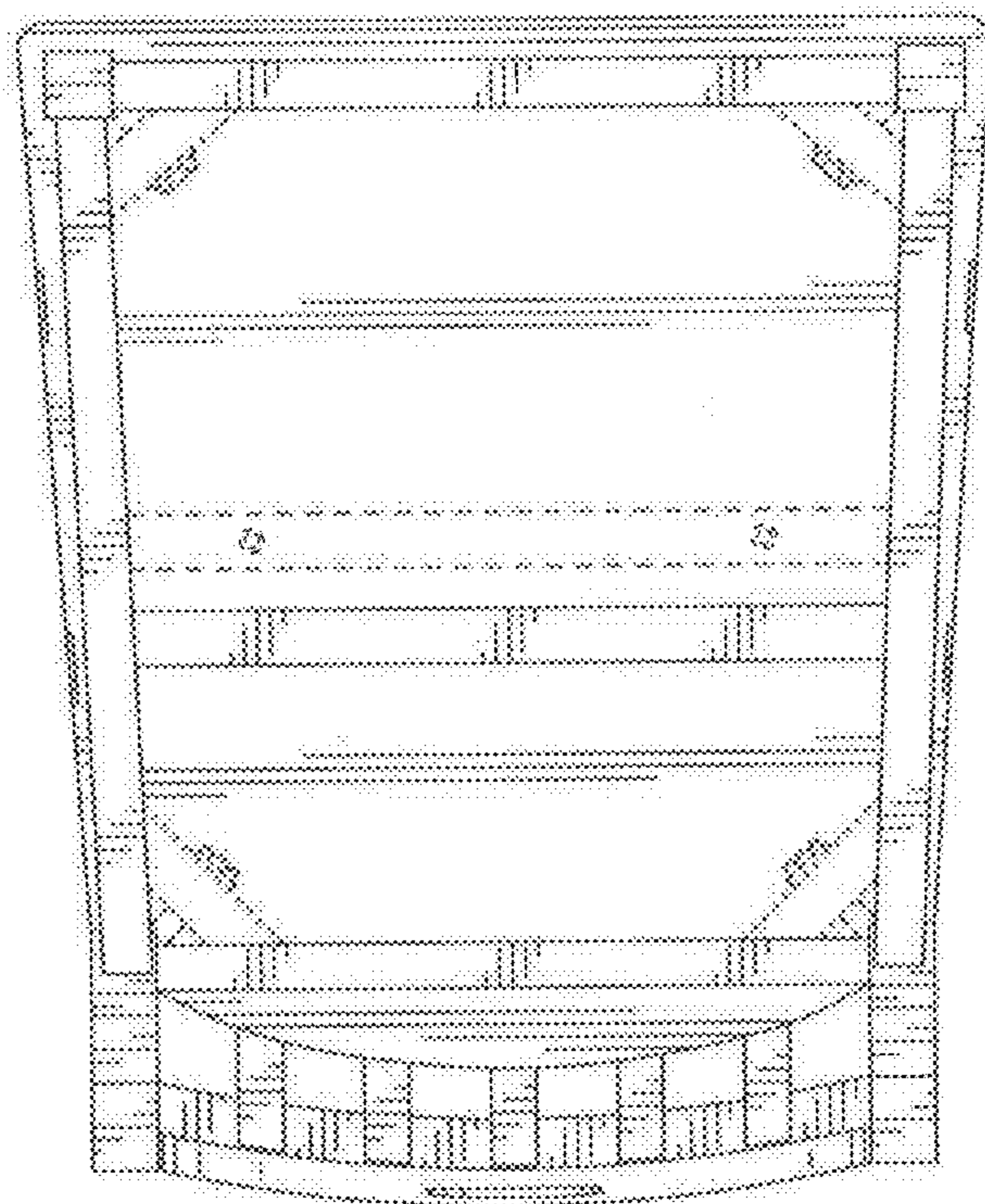


FIG. 5

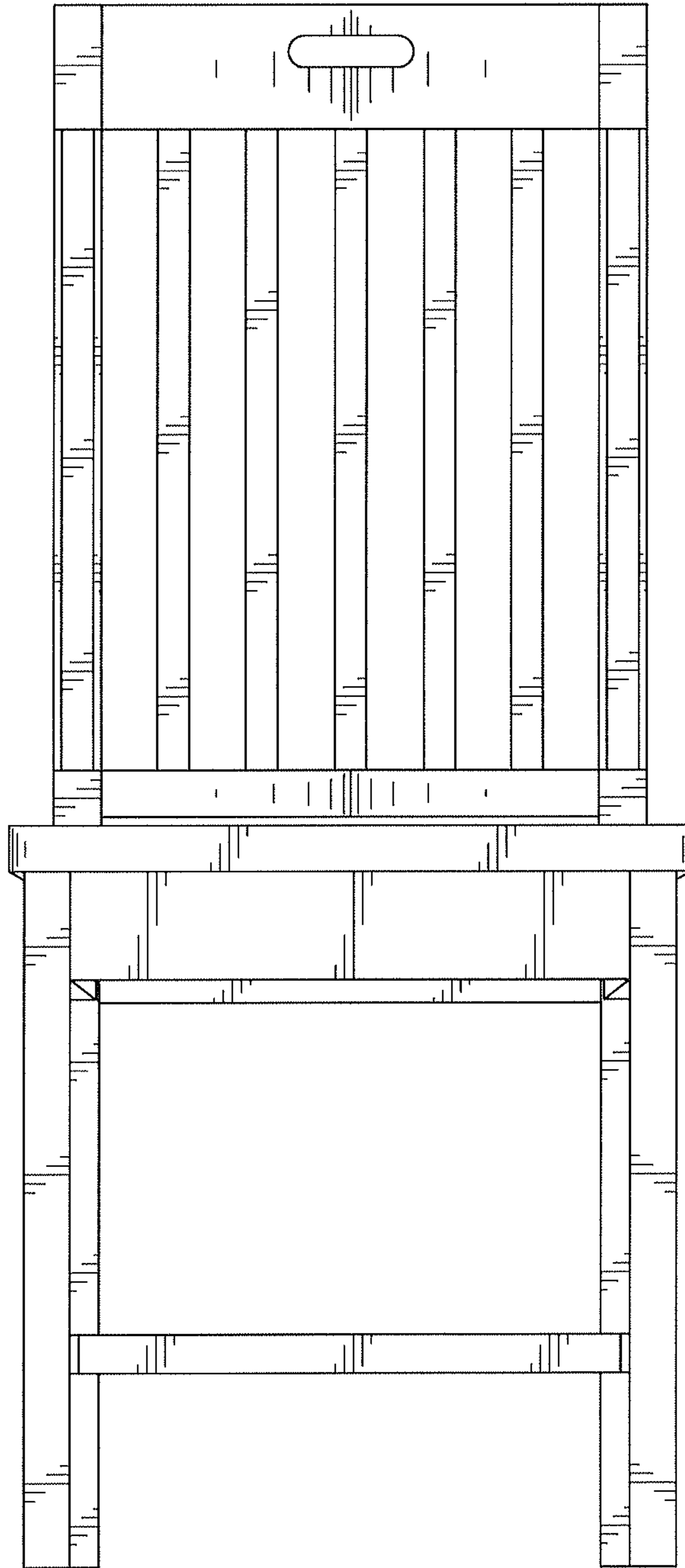


FIG. 6

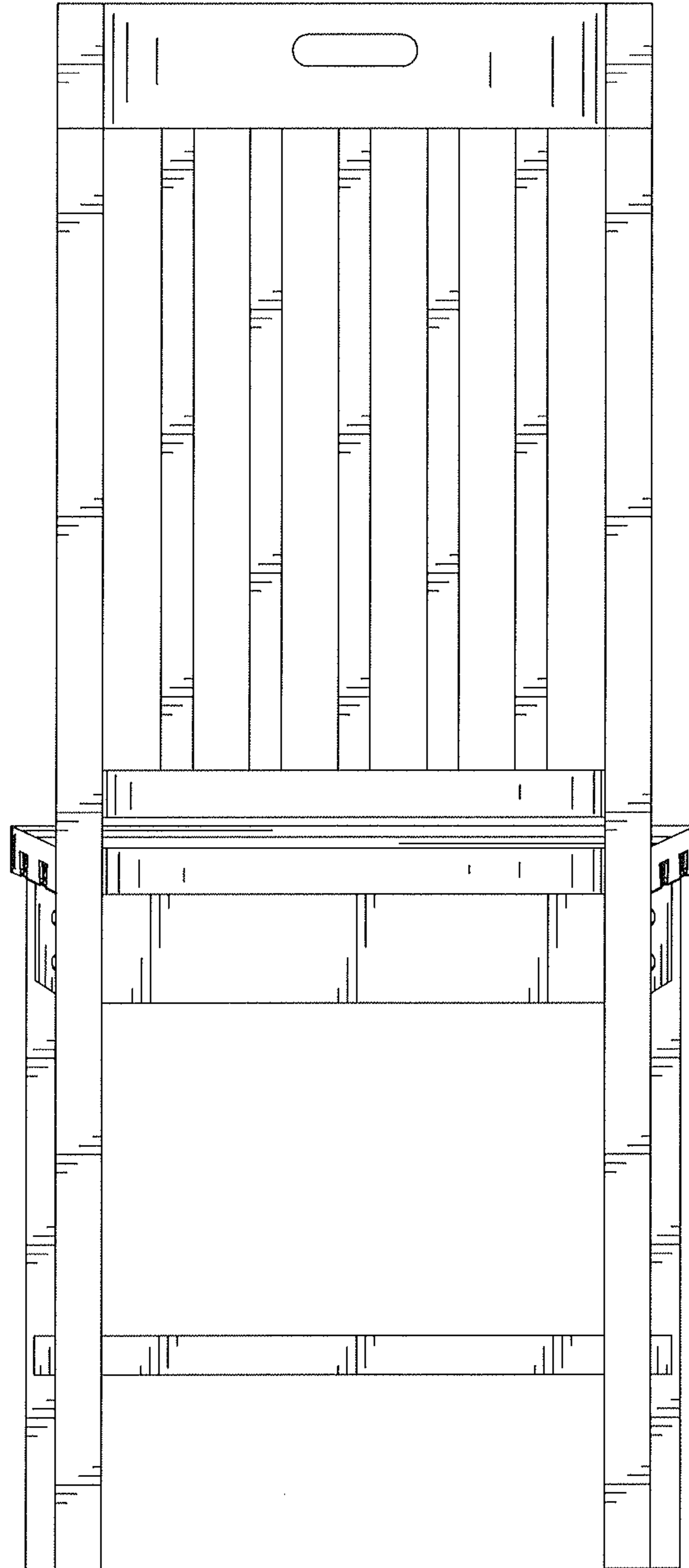


FIG. 7

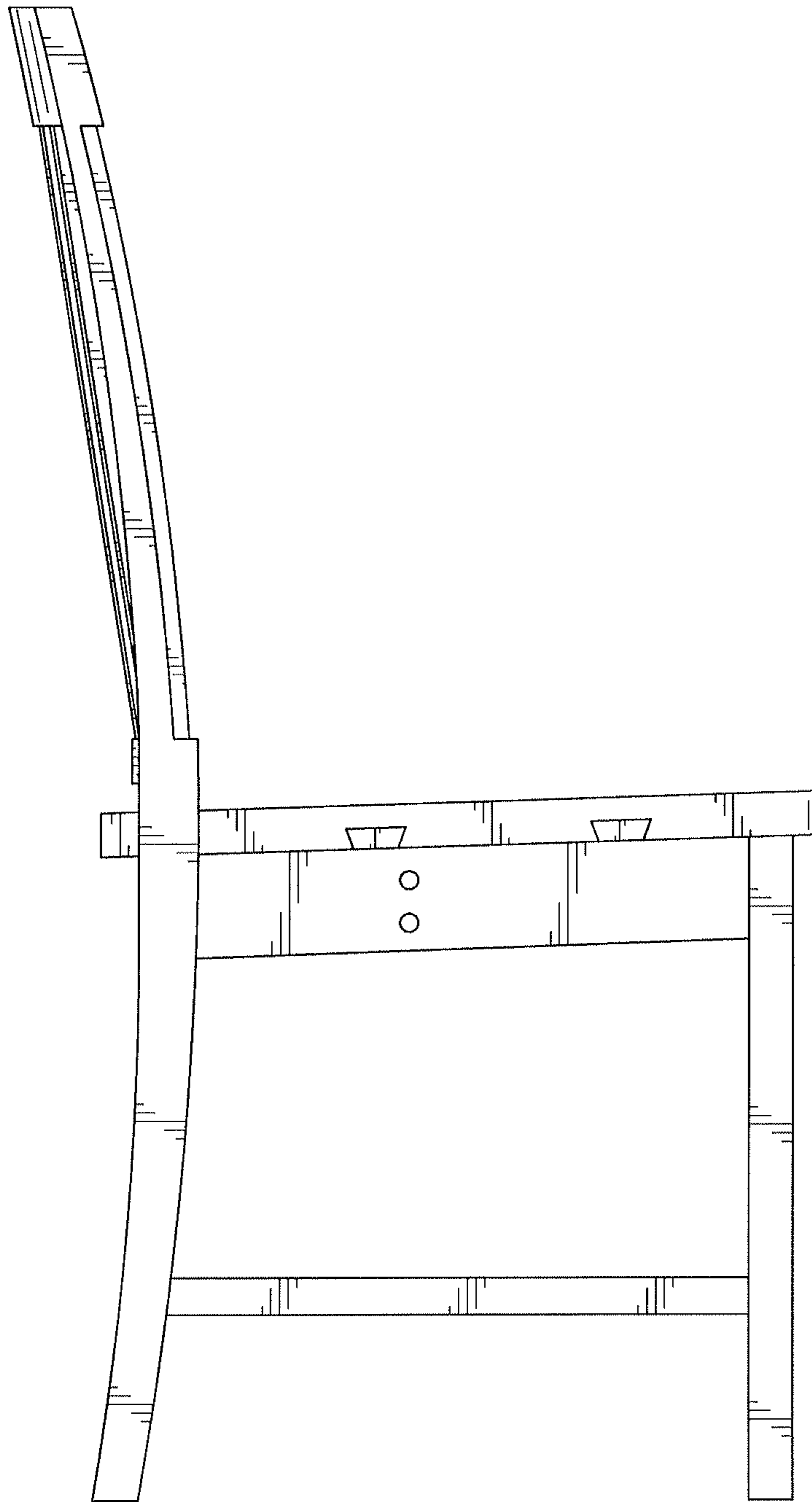


FIG. 8

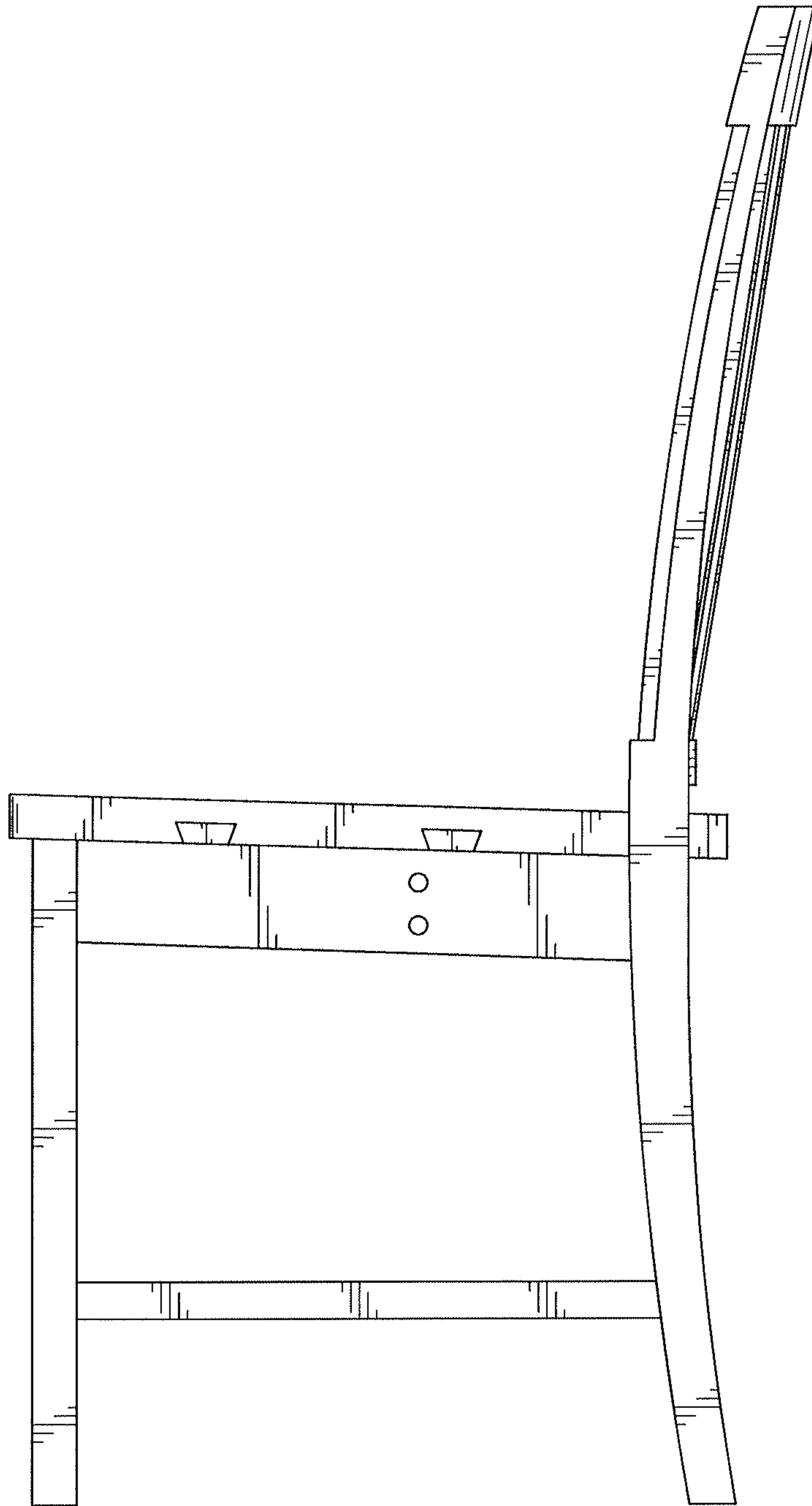


FIG. 9