



US00D779846S

(12) **United States Design Patent**
Aurrecoechea

(10) **Patent No.: US D779,846 S**

(45) **Date of Patent: ** Feb. 28, 2017**

(54) **COLLAPSIBLE CHAIR WITH ADJUSTABLE SEATING ANGLES**

(71) Applicant: **Luisa Aurrecoechea**, Houston, TX (US)

(72) Inventor: **Luisa Aurrecoechea**, Houston, TX (US)

(**) Term: **14 Years**

(21) Appl. No.: **29/509,541**

(22) Filed: **Nov. 18, 2014**

(51) **LOC (10) Cl.** **06-01**

(52) **U.S. Cl.**
USPC **D6/368**

(58) **Field of Classification Search**
USPC D6/334-336, 368, 370, 371-373, 374, D6/376, 716, 716.1, 716.4
CPC A47C 4/00; A47C 4/03; A47C 4/14; A47C 4/022; A47C 5/00
See application file for complete search history.

(56) **References Cited**

U.S. PATENT DOCUMENTS

- 3,907,359 A * 9/1975 Joiner A47C 4/14 297/56
- 4,235,473 A * 11/1980 Aginar A47C 4/03 297/452.63
- 4,278,288 A * 7/1981 Thebaud A47C 5/00 297/118
- D260,123 S * 8/1981 Lamb D6/368

- D260,459 S * 9/1981 Lamb D6/368
- 4,322,109 A * 3/1982 Thebaud A47C 4/14 297/56
- D289,468 S * 4/1987 MacVeigh D6/368
- 4,743,068 A * 5/1988 Gomes A47C 4/03 297/56
- D329,149 S * 9/1992 Swope D6/368
- 5,501,541 A * 3/1996 Gomes A47C 4/022 403/19

* cited by examiner

Primary Examiner — Mimoso De

(74) *Attorney, Agent, or Firm* — Hall Estill Attorneys at Law

(57) **CLAIM**

The ornamental design for a collapsible chair with adjustable seating angles, as shown and described.

DESCRIPTION

FIG. 1 is a perspective view of a collapsible chair with adjustable seating angles showing my new design;
 FIG. 2 is a top perspective view thereof;
 FIG. 3 is a left side view thereof;
 FIG. 4 is a perspective view thereof, in alternate seating position;
 FIG. 5 is a top perspective view thereof, in alternate seating position;
 FIG. 6 is a perspective view thereof, in collapsed position;
 FIG. 7 is a top view thereof, in collapsed position; and,
 FIG. 8 is a left side view thereof, in collapsed position.
 Right side views have been omitted, as they are mirror images of all left side views.

1 Claim, 8 Drawing Sheets

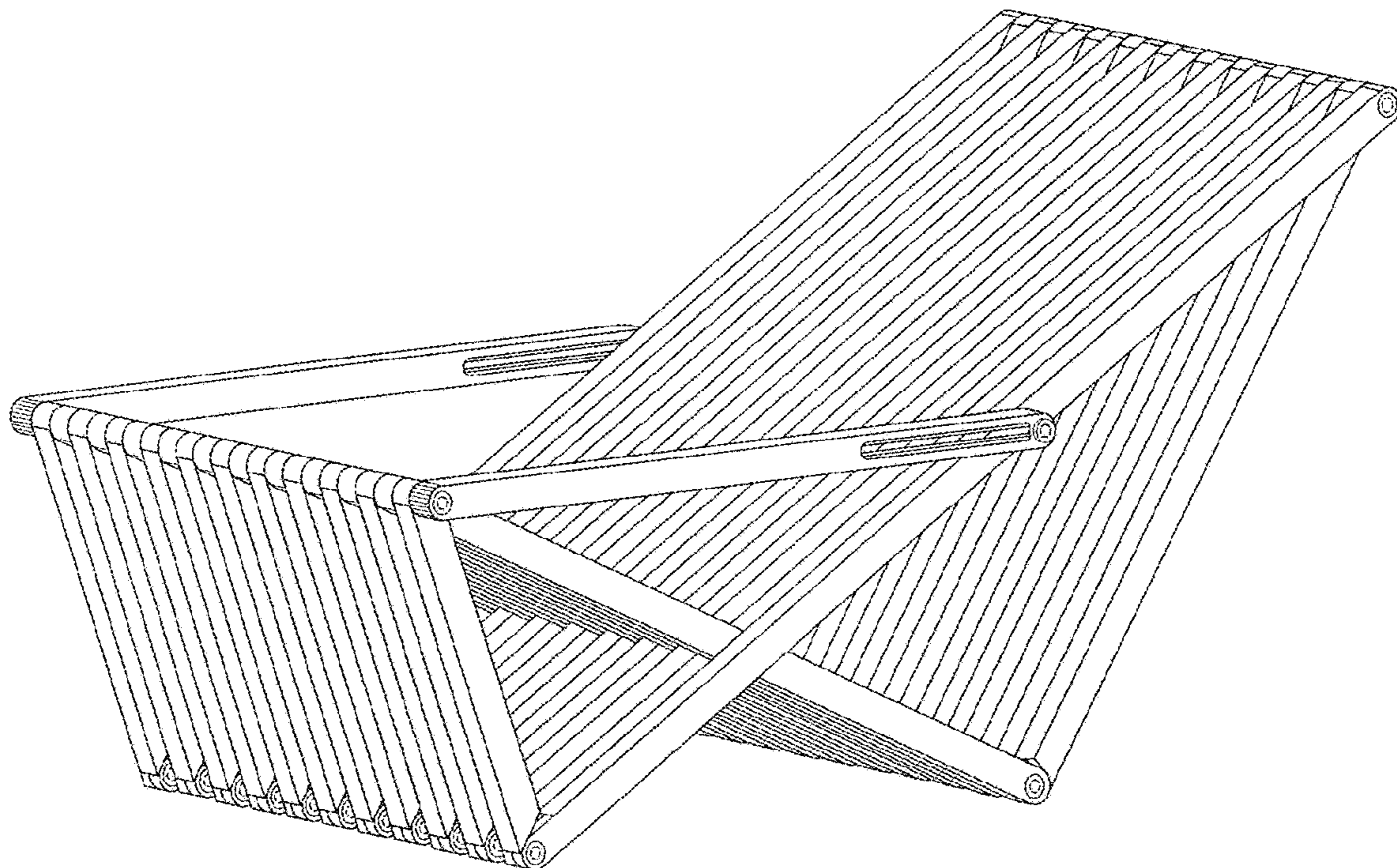


FIG. 1

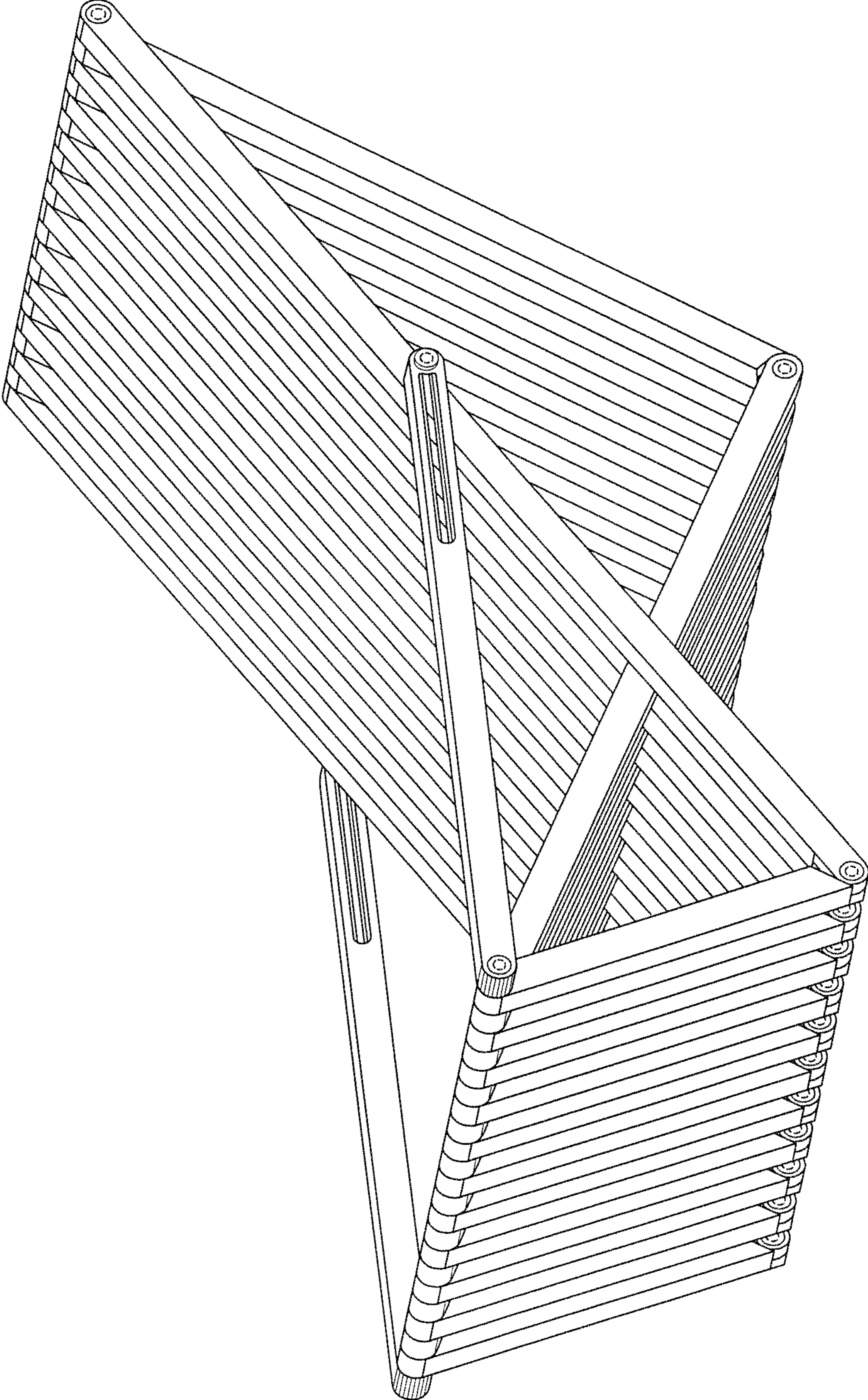


FIG. 2

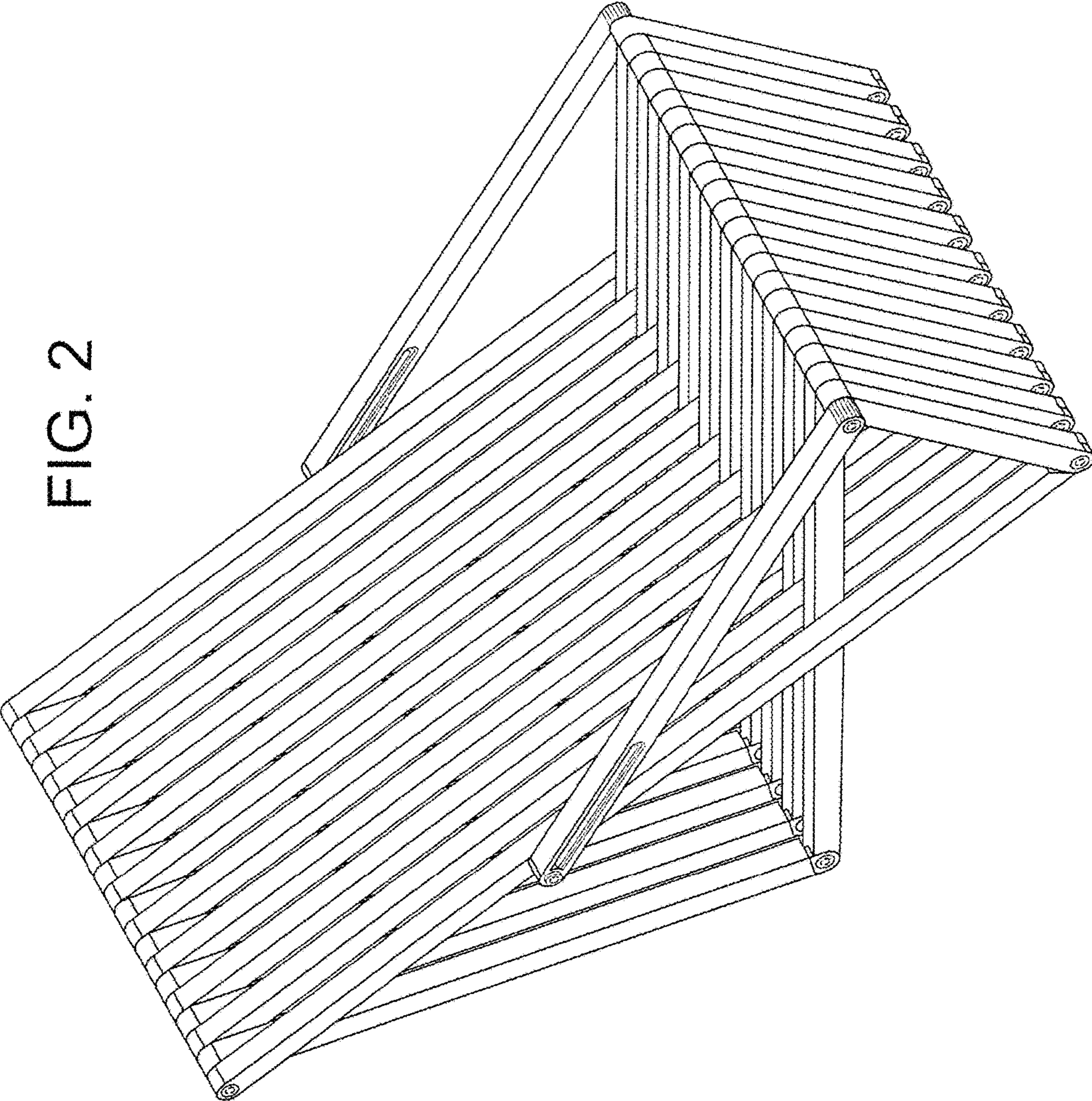
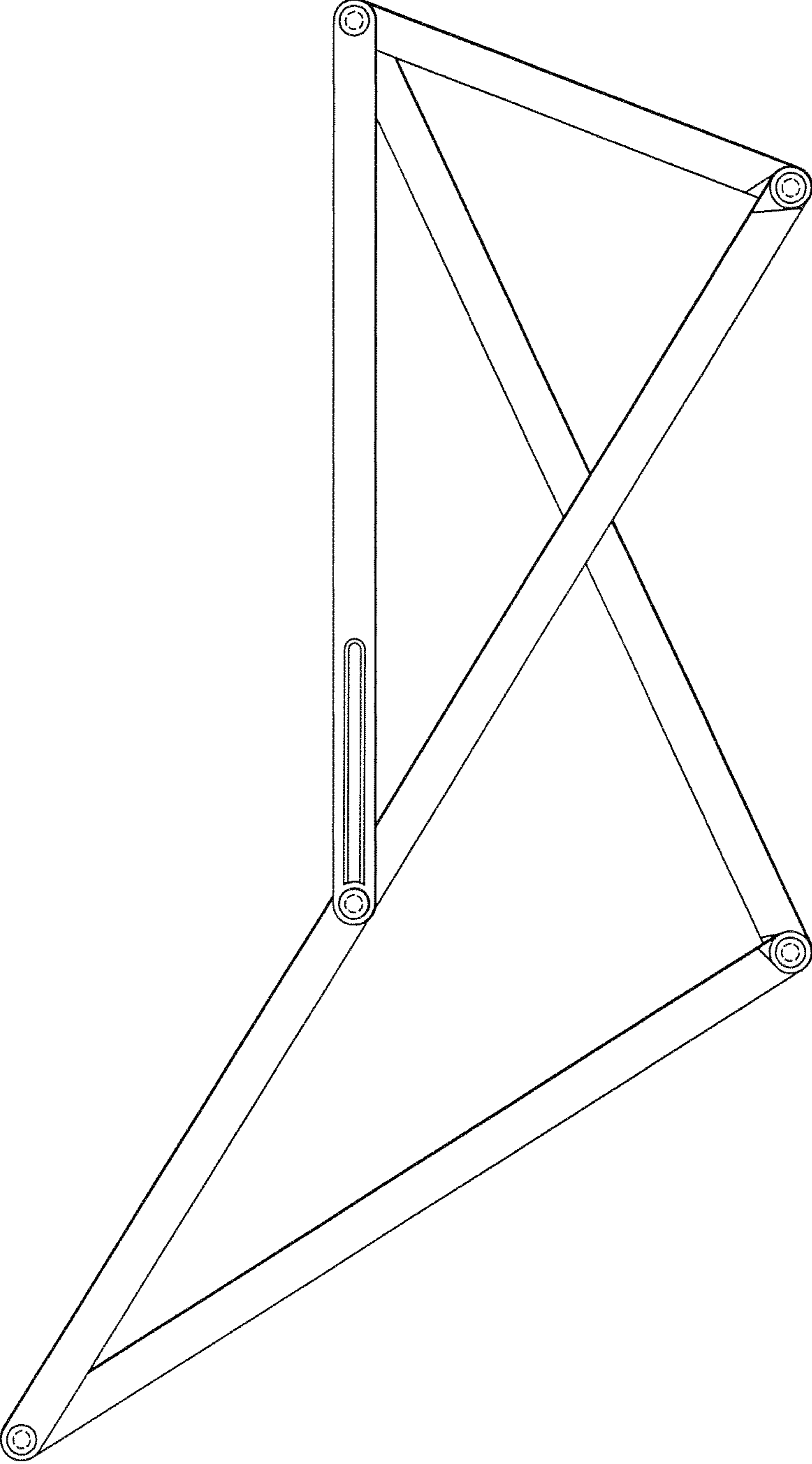


FIG. 3



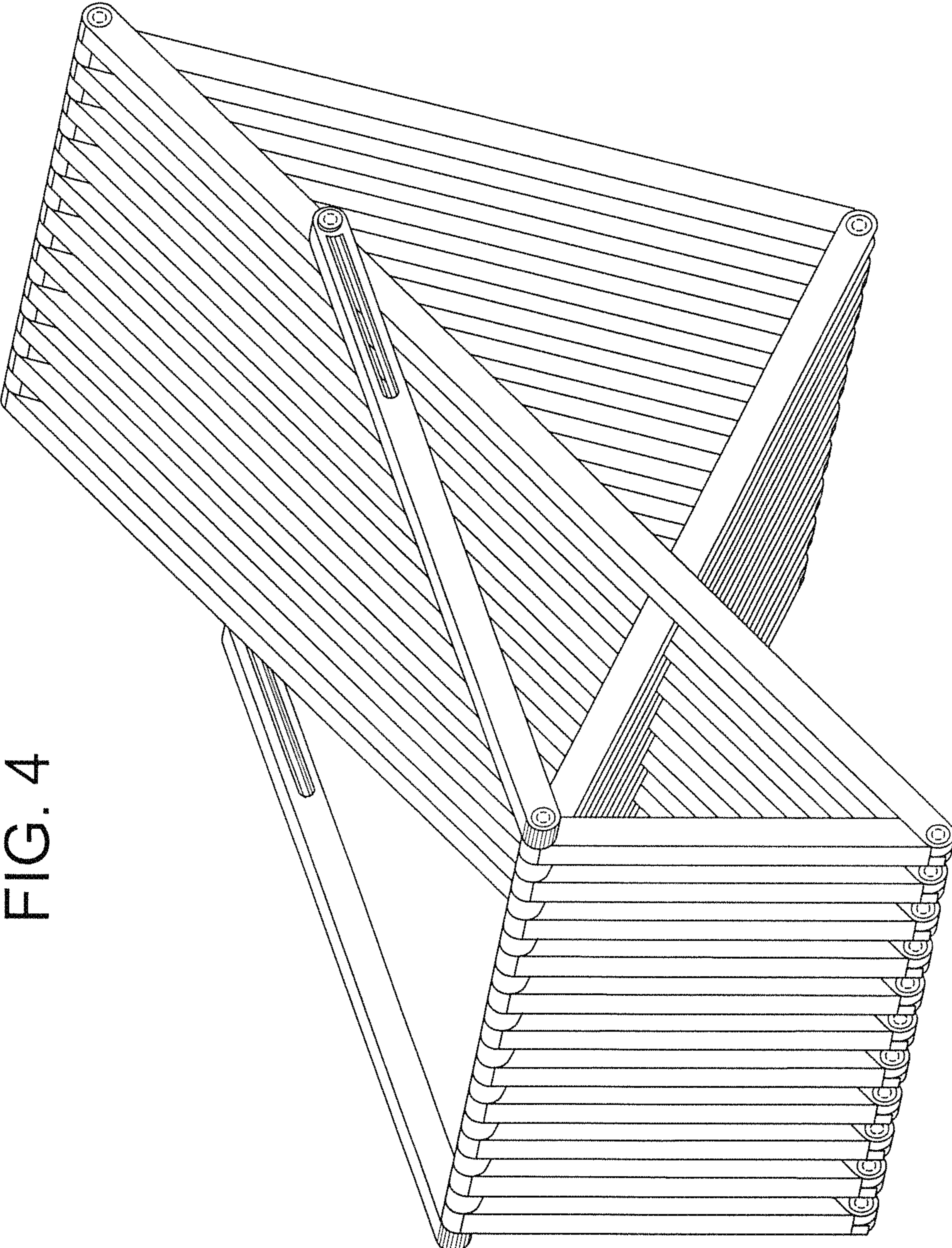
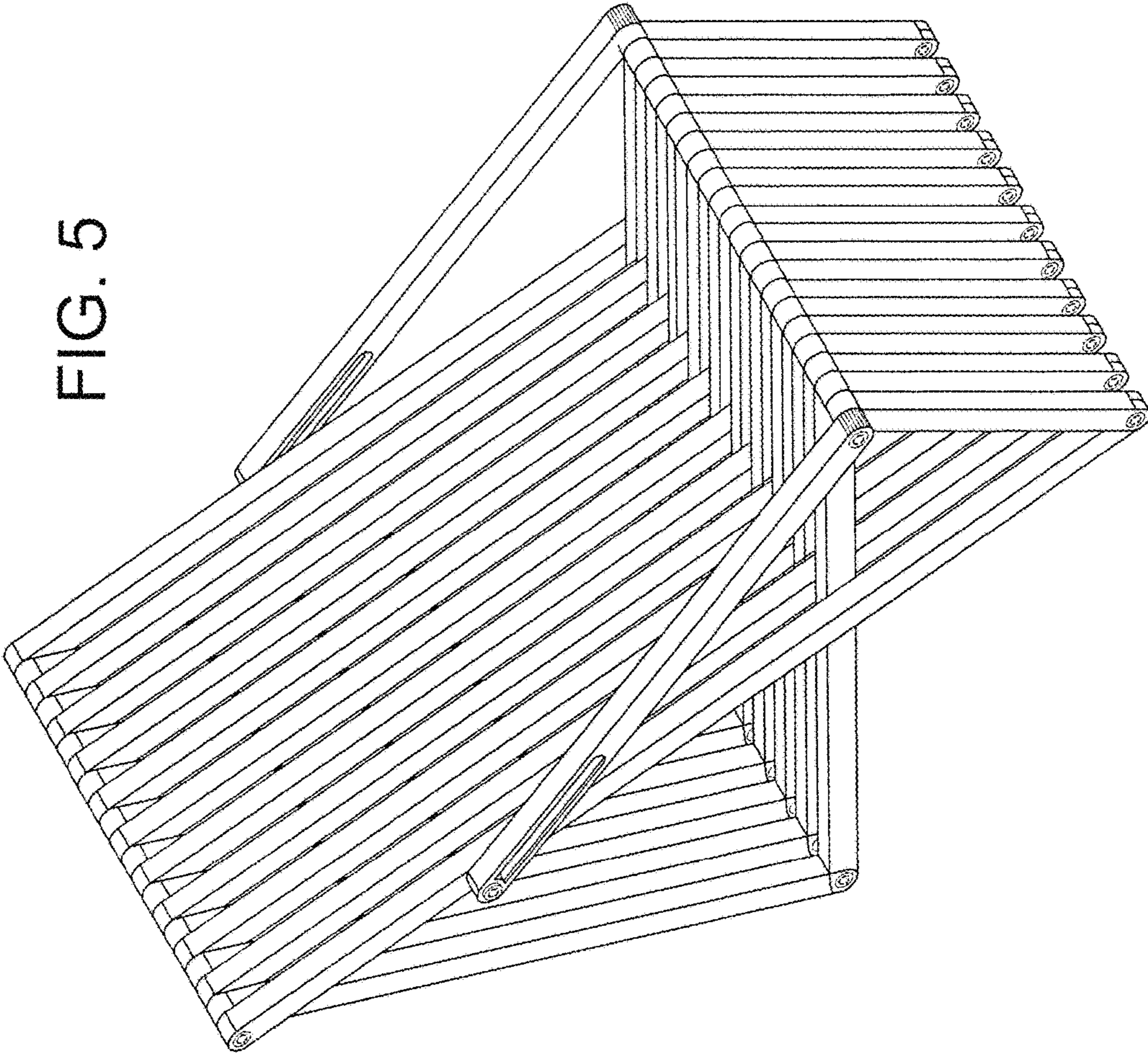


FIG. 4

FIG. 5



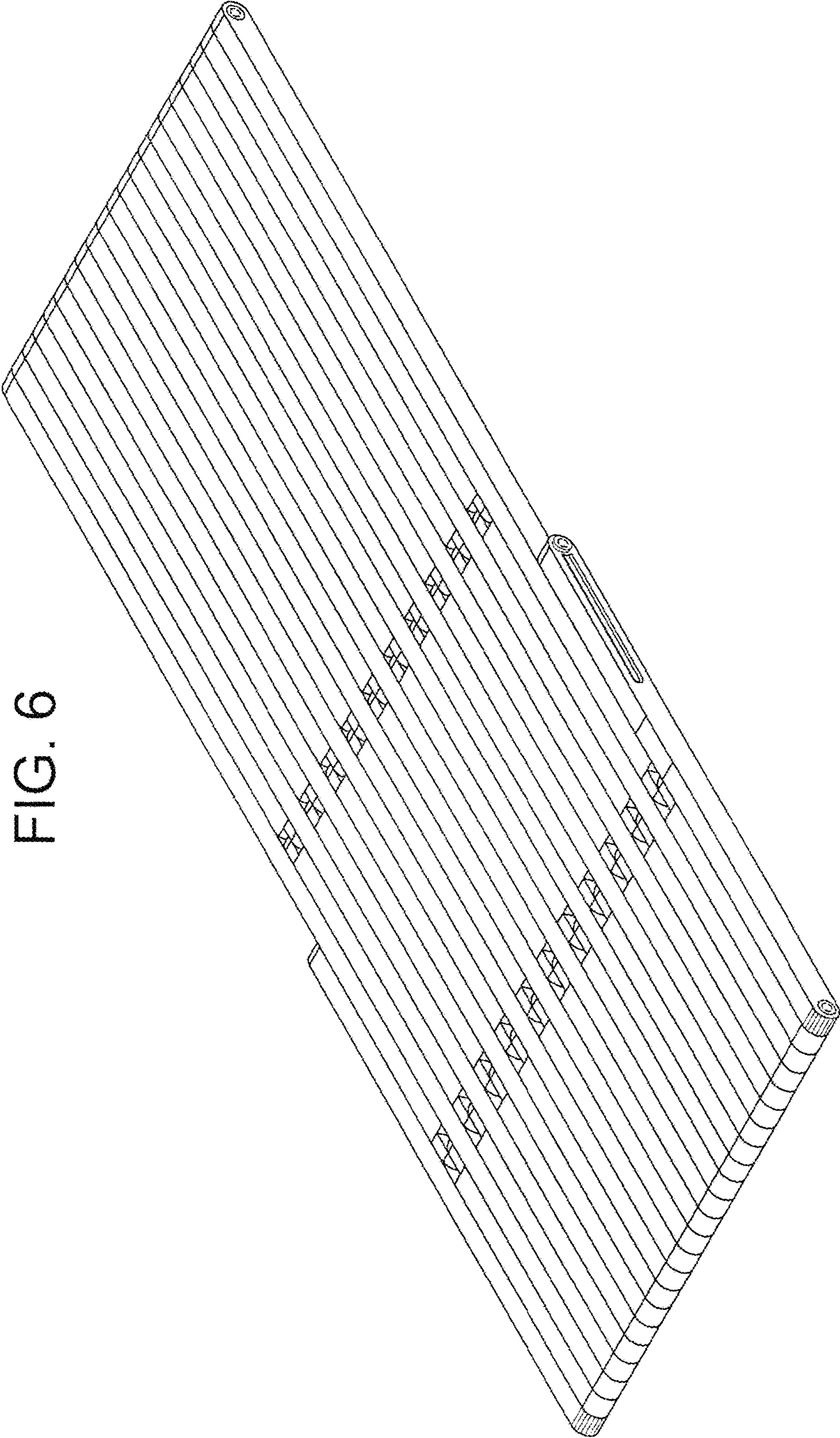


FIG. 6

FIG. 7

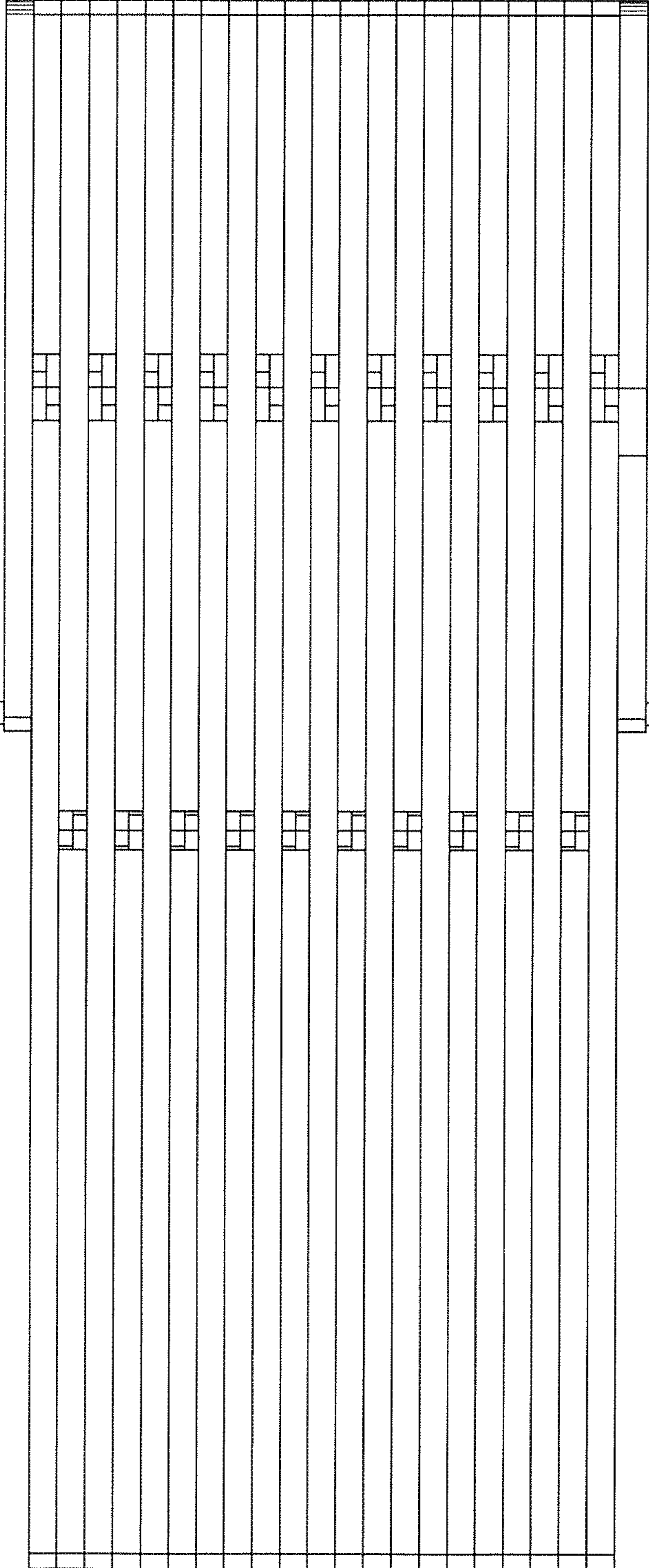


FIG. 8

