



US00D779844S

(12) **United States Design Patent**  
**Cohen**

(10) **Patent No.:** **US D779,844 S**

(45) **Date of Patent:** **\*\* Feb. 28, 2017**

(54) **STOOL**

(71) Applicant: **Cohen Concepts, Inc.**, Palm Bay, FL (US)

(72) Inventor: **Howard Cohen**, Indialantic, FL (US)

(73) Assignee: **Cohen Concepts, Inc.**, Palm Bay, FL (US)

(\*\*) Term: **15 Years**

(21) Appl. No.: **29/536,110**

(22) Filed: **Aug. 13, 2015**

(51) **LOC (10) Cl.** ..... **06-01**

(52) **U.S. Cl.**  
USPC ..... **D6/349**

(58) **Field of Classification Search**  
USPC ..... D6/334-335, 349-355, 358, 360,  
D6/362-365, 370, 374, 381, 691, 691.1,  
D6/691.4, 692, 693, 694, 694.2  
CPC ..... A47C 9/00; A47C 9/02; A47C 9/002;  
A47C 9/007; A47C 9/025; A47C  
9/10; A47C 11/00; A47C 12/00; A47C  
13/00; A47C 16/02; A47C 5/02; A47C  
5/04; A47C 5/043; A47C  
7/00-7/006; A47C 7/02; A47B 3/00;  
A47B 3/02; A47B 3/04; A47B 3/12  
See application file for complete search history.

(56) **References Cited**

**U.S. PATENT DOCUMENTS**

D263,910 S \* 4/1982 Robertson ..... D6/691.1  
D350,452 S \* 9/1994 Ward ..... D6/691.1  
D439,443 S \* 3/2001 Nadon ..... D6/675.1  
D516,842 S \* 3/2006 Cross ..... D6/691.1  
D540,070 S \* 4/2007 Bibi ..... D21/397  
D554,323 S \* 10/2007 Roth ..... D34/12

D583,577 S \* 12/2008 Wicha ..... D6/349  
D703,452 S \* 4/2014 Gelman ..... D6/349  
D703,453 S \* 4/2014 Gelman ..... D6/349  
D713,156 S \* 9/2014 Cohen ..... D6/349  
D717,053 S \* 11/2014 Gelman ..... D6/349  
D740,576 S \* 10/2015 Cohen ..... D6/349

**OTHER PUBLICATIONS**

The Original 18" Grate Lotus Mocha Teak Shower Bench. [online] Retrieved Sep. 14, 2016 from URL: <<http://www.aquateak.com/all-assembled-teak-products/the-original-18-grate-lotus-mocha-teak-shower-bench/>>.\*

Teak Grate Shower Bench by Decoteak. [online] Retrieved Sep. 29, 2016 from URL: <<https://www.wayfair.com/DecoteakTeakGrateShowerBenchDT113DECO1017.html>>.\*

\* cited by examiner

*Primary Examiner* — Vy Koenig

(74) *Attorney, Agent, or Firm* — Stephen C. Thomas

(57) **CLAIM**

The ornamental design for a stool, as shown.

**DESCRIPTION**

FIG. 1 depicts a top perspective view of the stool of the invention.

FIG. 2 depicts a bottom perspective view of the stool of the invention.

FIG. 3 depicts a front orthogonal view of the stool of the invention.

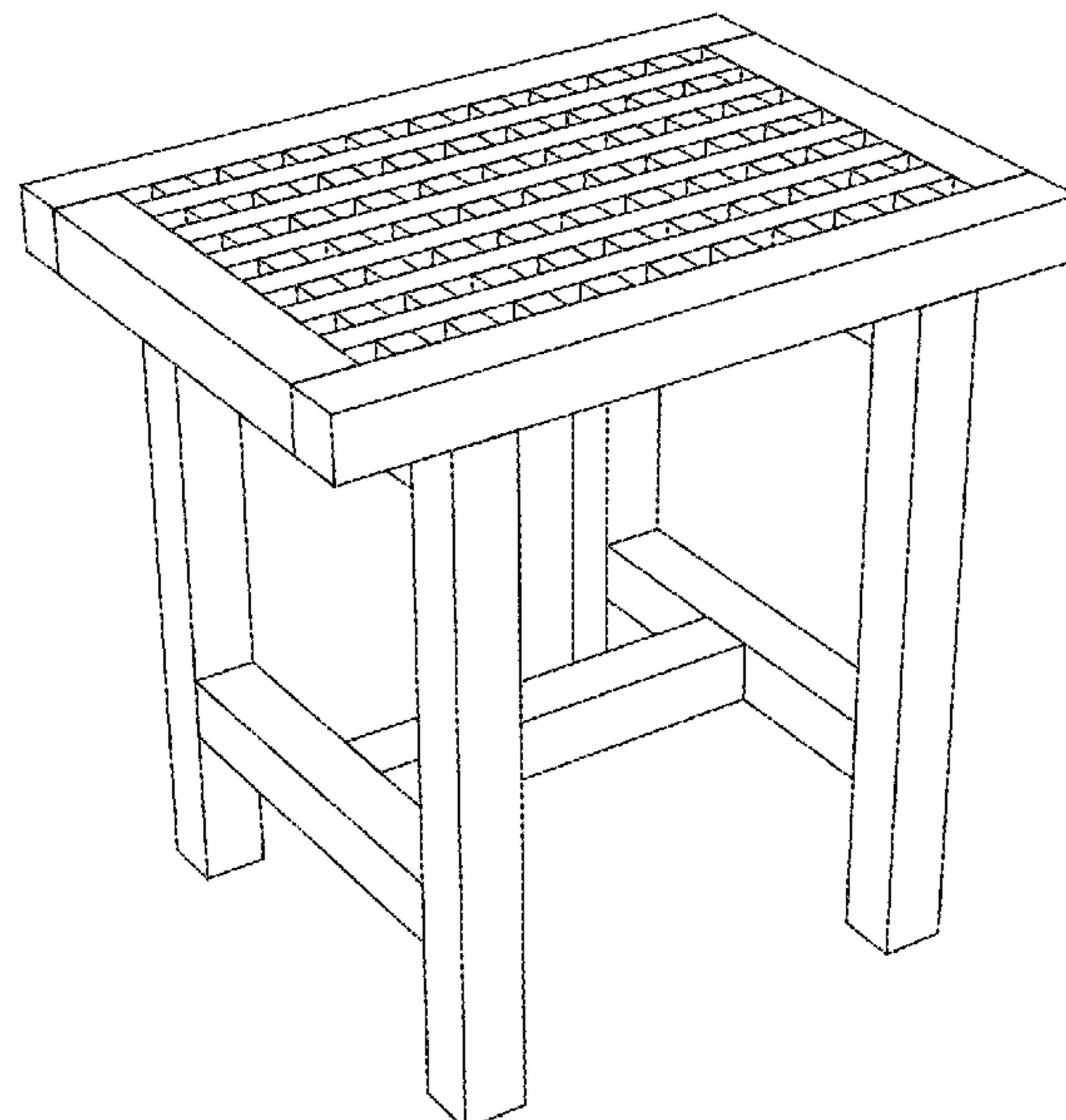
FIG. 4 depicts an orthogonal left side view of the stool of the invention.

FIG. 5 depicts an orthogonal right side view of the stool of the invention.

FIG. 6 depicts an orthogonal top view of the stool of the invention; and,

FIG. 7 depicts an orthogonal bottom view of the stool of the invention.

**1 Claim, 7 Drawing Sheets**



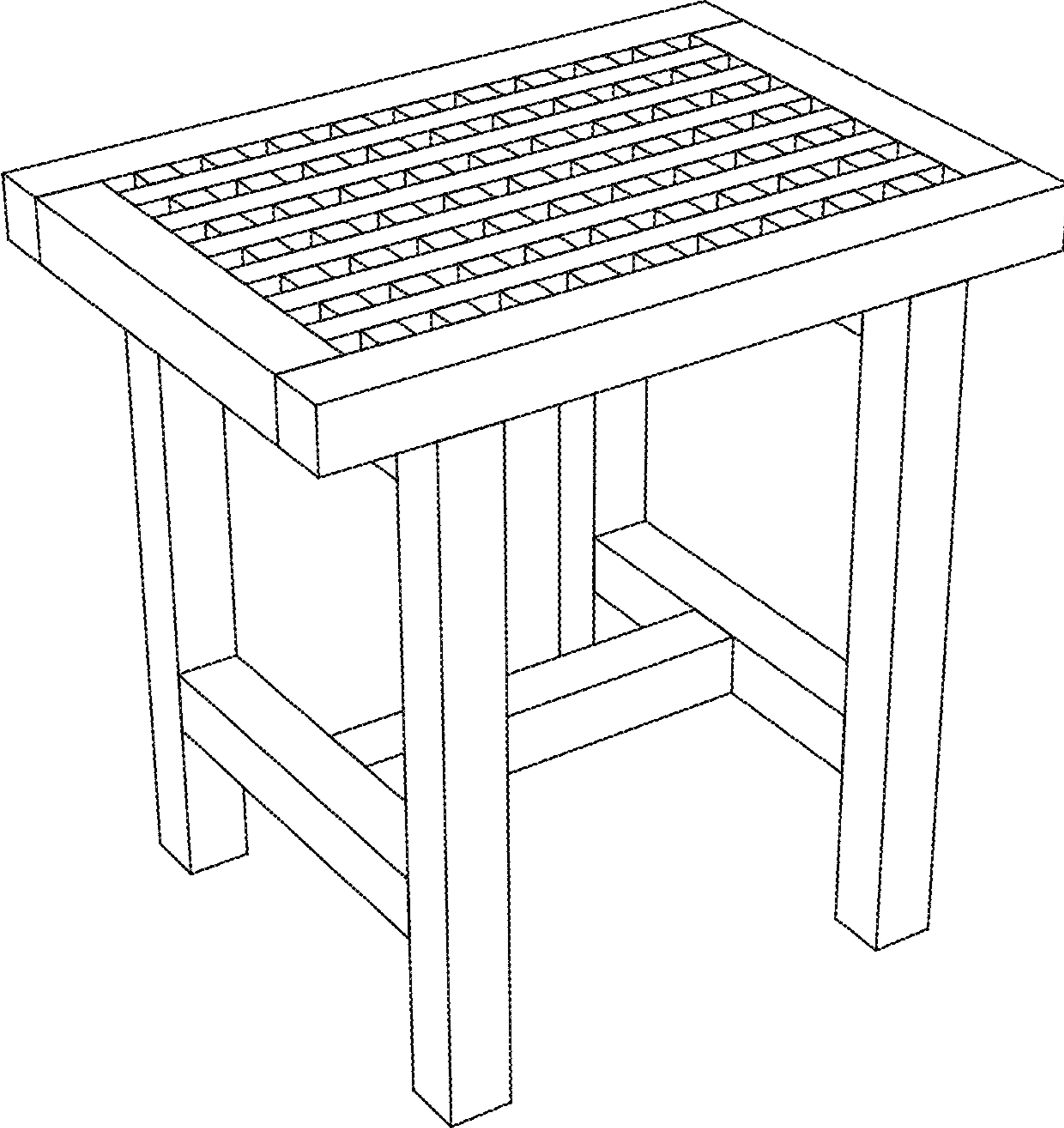


Fig. 1

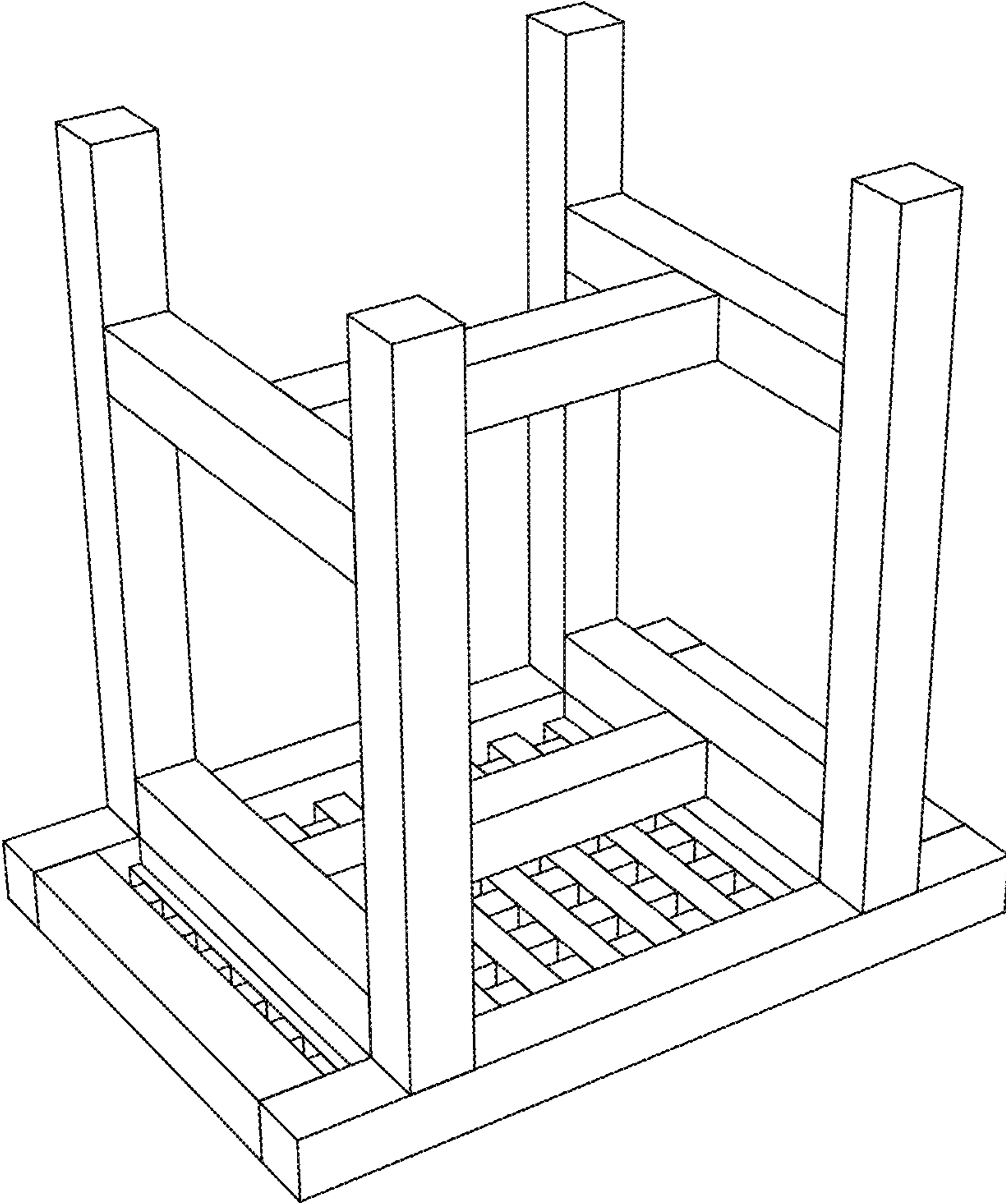


Fig. 2

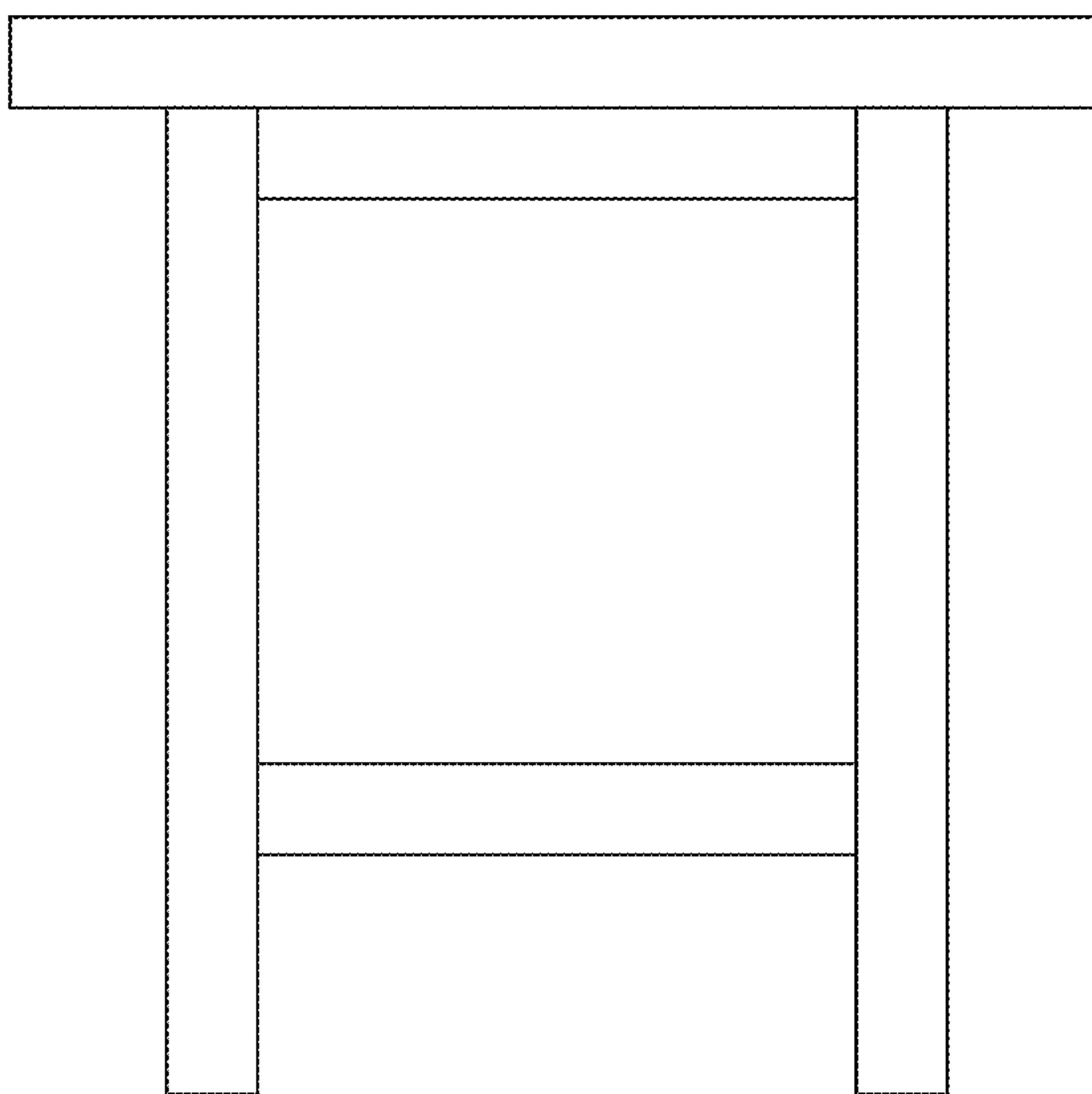


Fig. 3

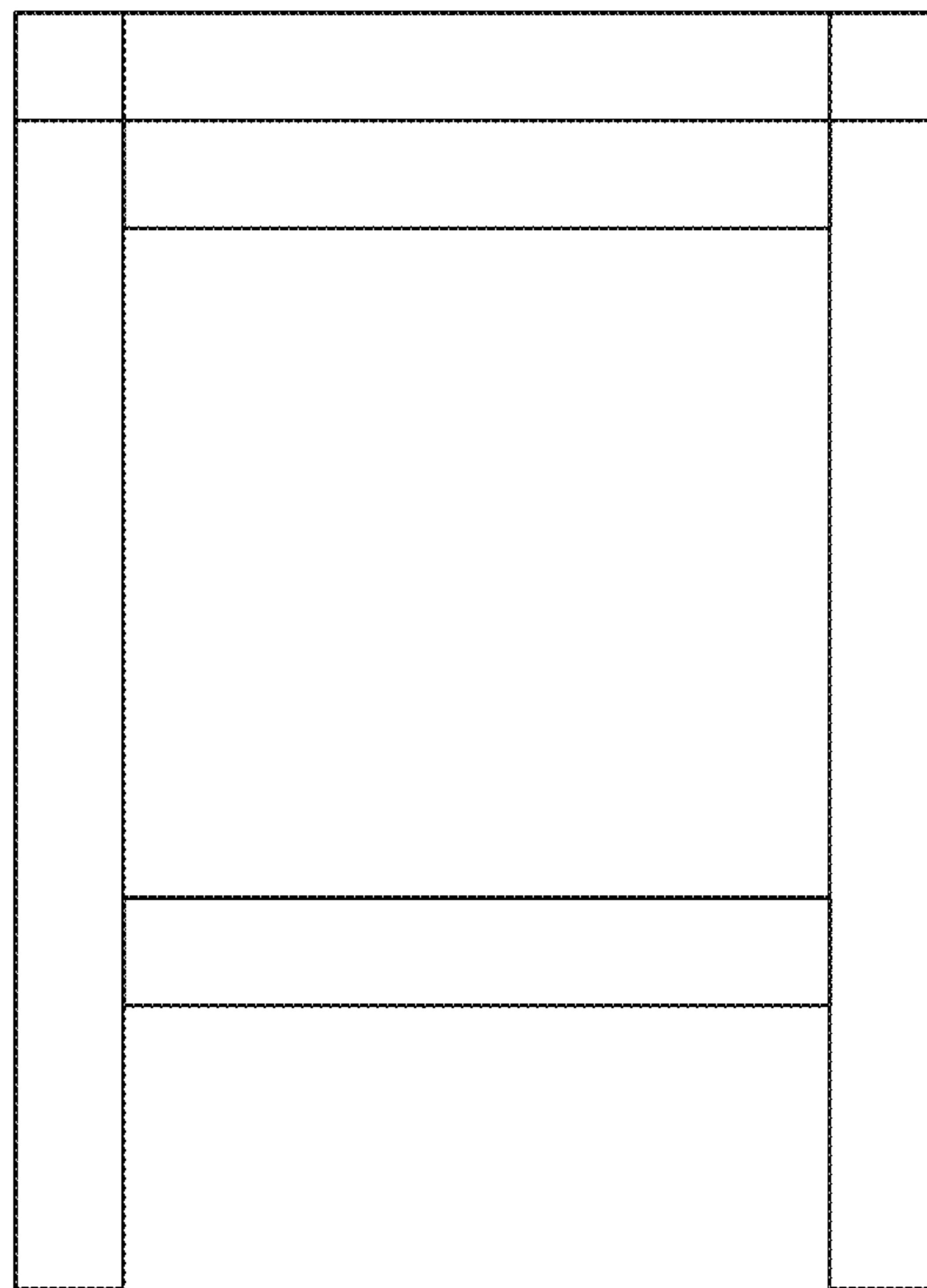


Fig. 4

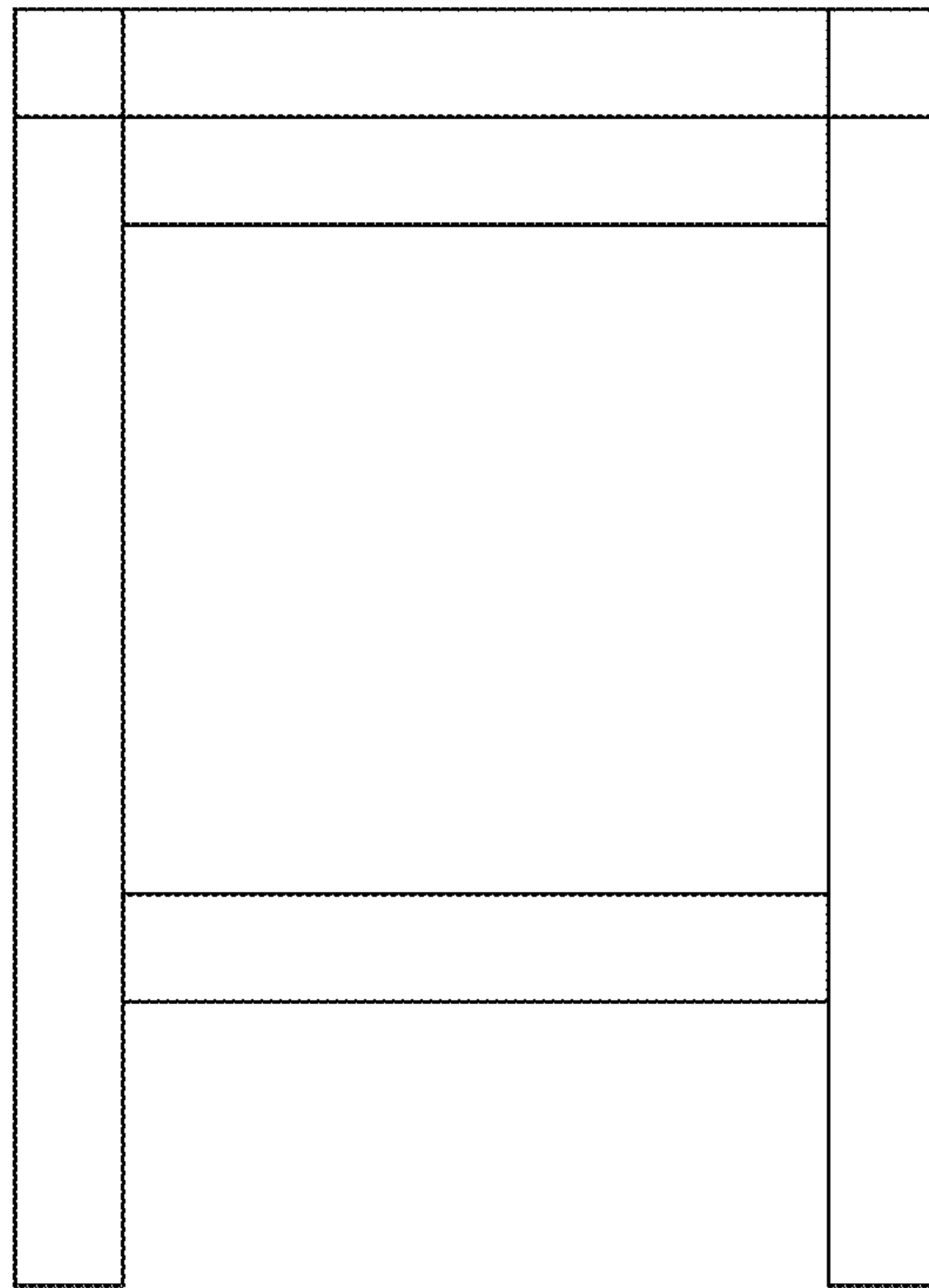


Fig. 5

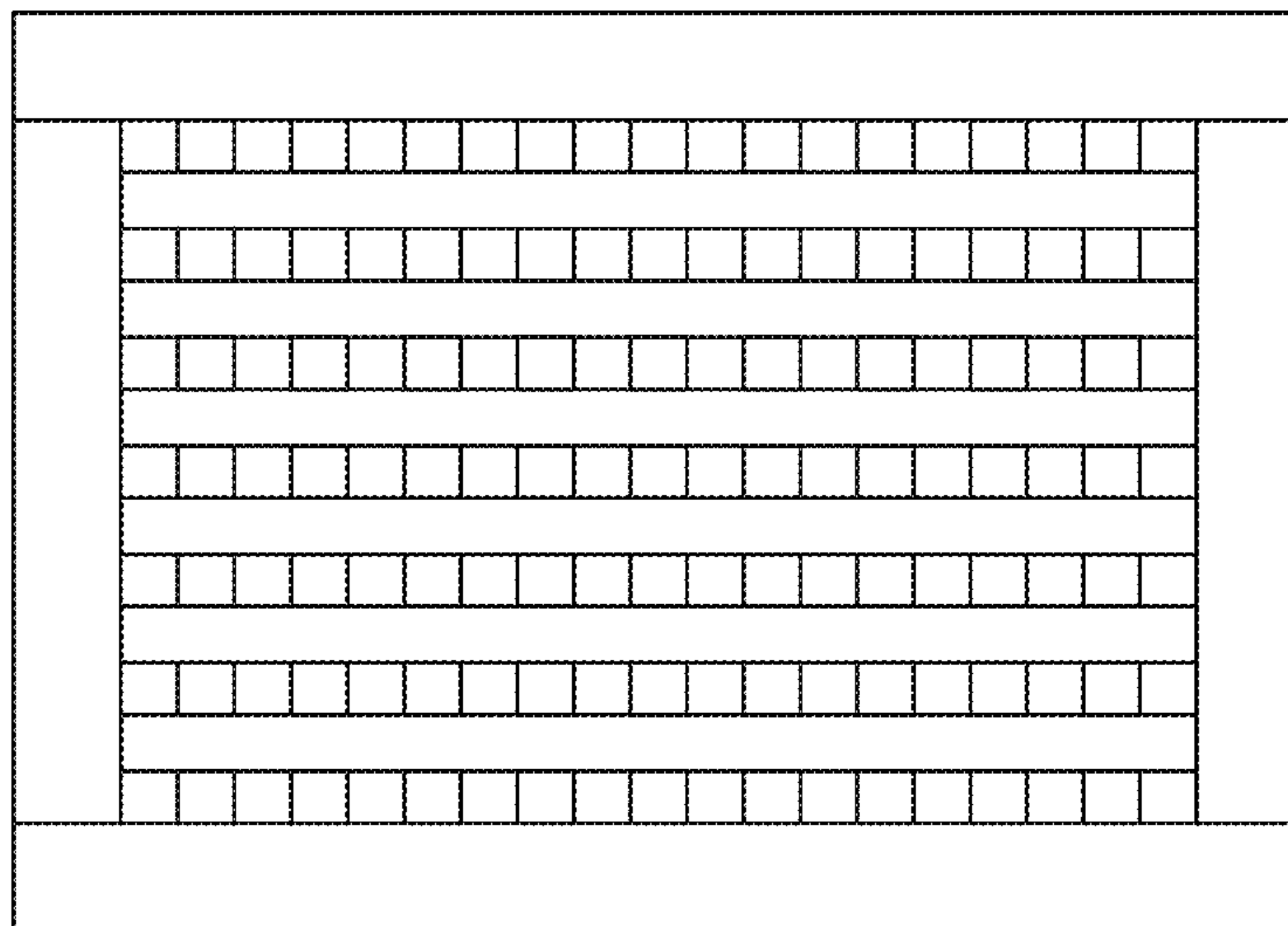


Fig. 6



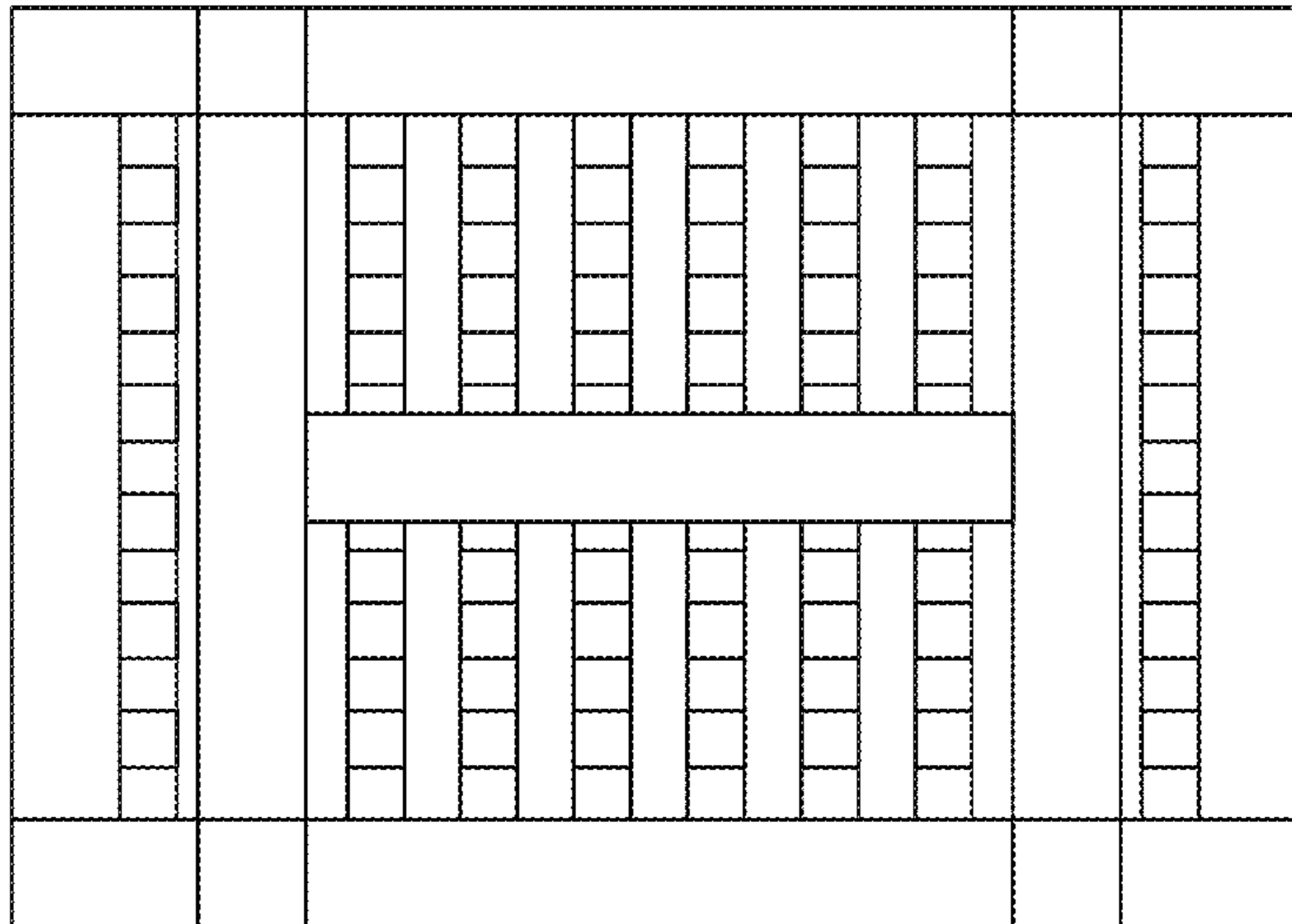


Fig. 7