



US00D779840S

(12) **United States Design Patent**
De Lucchi

(10) **Patent No.:** **US D779,840 S**

(45) **Date of Patent:** **** Feb. 28, 2017**

(54) **SOUND ABSORBING PANEL**

(71) Applicant: **Caimi Brevetti S.p.A.**, Nova Milanese
(Milan) (IT)

(72) Inventor: **Michele De Lucchi**, Milan (IT)

(73) Assignee: **Caimi Brevetti S.p.A.**, Nova Milanese
(Milan) (IT)

(**) Term: **15 Years**

(21) Appl. No.: **29/539,766**

(22) Filed: **Sep. 17, 2015**

Related U.S. Application Data

(62) Division of application No. 29/468,922, filed on Oct. 4, 2013, now Pat. No. Des. 747,006.

Foreign Application Priority Data

Apr. 9, 2013 (EM) 001367262

(51) **LOC (10) Cl.** **06-06**

(52) **U.S. Cl.**
USPC **D6/332; D25/138**

(58) **Field of Classification Search**

USPC D25/42, 138, 139, 140, 141, 143,
144,D25/145, 146, 147, 148, 149, 151,
152, 153,D25/154, 155, 156, 157, 158,
159, 160, 161,D25/162, 163, 58, 142;
D17/99; D6/332, 643, D6/643.1
CPC .. E04B 2001/2481; E04B 1/84; E04B 1/8404;
E04B 1/8409; E04B 1/82; E04B 1/8209;
E04B 1/8227; E04B 2001/8263; E04B
2001/8471; E04B 1/99; E04B 1/994;
E04B 2/74; E04B 2/7401; E04B 2/7407;
E04B 2/7416; E04B 2/7422; E04B
2/7433; E04B 1/00; E04B 2/7409; E04B
2/7437

See application file for complete search history.

(56) **References Cited**

U.S. PATENT DOCUMENTS

3,575,757 A * 4/1971 Smith B29C 49/0015
156/145
3,713,474 A * 1/1973 Orlando E04B 2/7409
160/351
3,949,827 A * 4/1976 Witherspoon E04B 2/7437
181/284
4,121,645 A * 10/1978 Behr A47G 5/00
16/365
D257,599 S * 12/1980 Cyplik D6/332
4,874,093 A * 10/1989 Pharo B65D 81/03
206/522
D450,465 S * 11/2001 Overthun D6/332
D457,736 S * 5/2002 Simons, Jr. D6/332

(Continued)

OTHER PUBLICATIONS

Mitesco Snowsound (on-line), dated Jun. 13, 2015. Retrieved from Internet Jul. 21, 2016, URL: https://web.archive.org/web/20150613015634/http://www.snowsoundusa.com/products/mitesco#!mg_cd=67 (1 page).*

(Continued)

Primary Examiner — Vy Koenig

Assistant Examiner — Kimberly Barnes

(74) *Attorney, Agent, or Firm* — Patti & Malvone Law Group, LLC

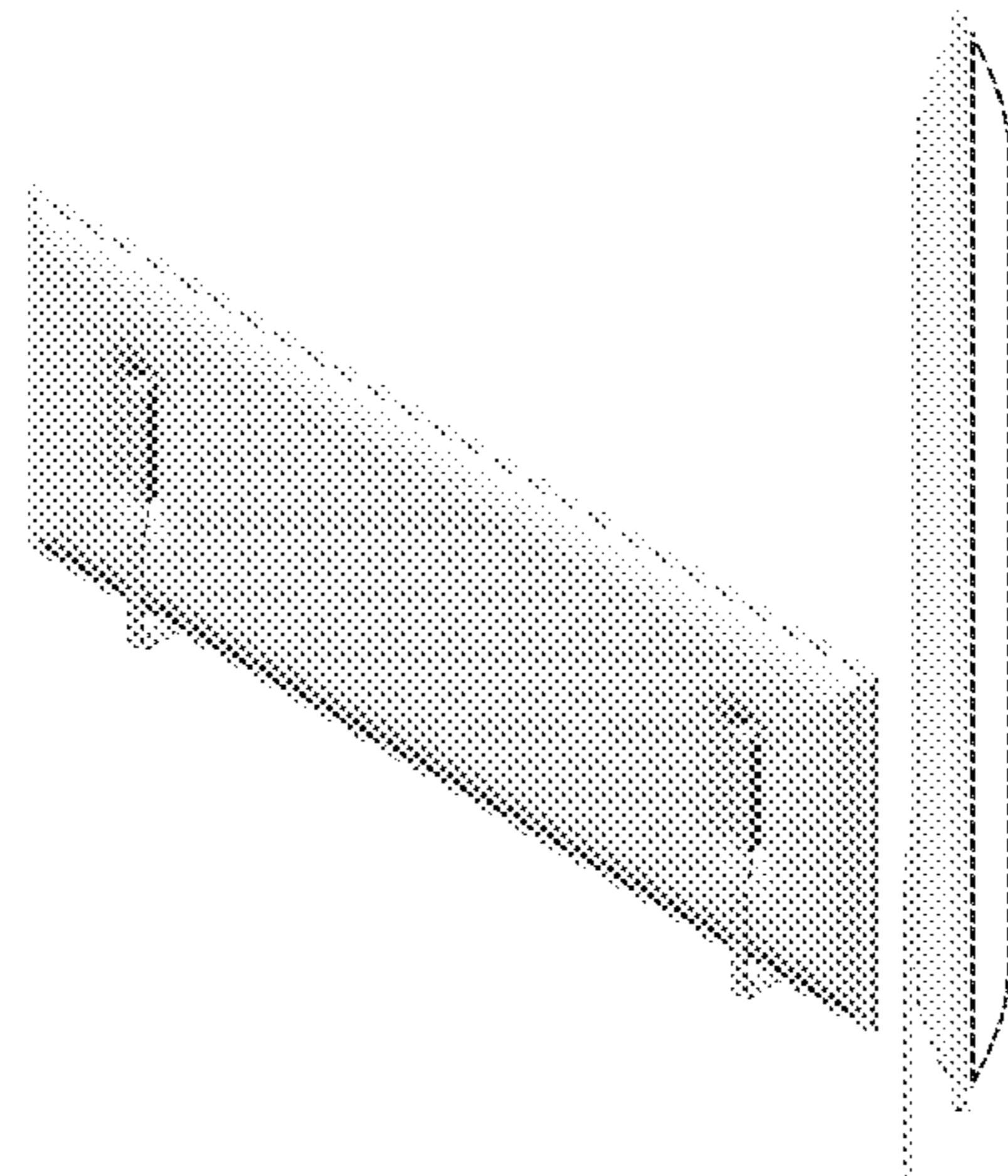
(57) **CLAIM**

The ornamental design for a sound absorbing panel, as shown and described.

DESCRIPTION

FIG. 1 is a front perspective view of a sound absorbing panel in accordance with my new design;
FIG. 2 is a front elevation view thereof; and,
FIG. 3 is a right-side elevation view thereof, the left side elevation view being a mirror-image thereof.

(Continued)



The broken lines in FIG. 3 depict portions of the panel that form no part of the claimed design.

1 Claim, 3 Drawing Sheets

(56)

References Cited

U.S. PATENT DOCUMENTS

| | | | |
|----------------|---------|-----------------|-------------|
| D599,118 S * | 9/2009 | Perkins | D5/53 |
| 8,091,605 B1 * | 1/2012 | Melhart | A47G 5/00 |
| | | | 160/135 |
| 9,051,734 B2 * | 6/2015 | Dupuy | E04B 1/99 |
| 9,210,999 B2 * | 12/2015 | Martin | A47B 13/003 |
| D747,006 S * | 1/2016 | De Lucchi | D25/138 |

OTHER PUBLICATIONS

Mitesco 4 sound absorbing panels (on-line), dated Jul. 18, 2014. Retrieved from Internet Jul. 22, 2016, URL: <https://web.archive.org/web/20140718201915/http://idfdesign.com/accessories-office/mitesco-4.htm> (6 pages).*

* cited by examiner

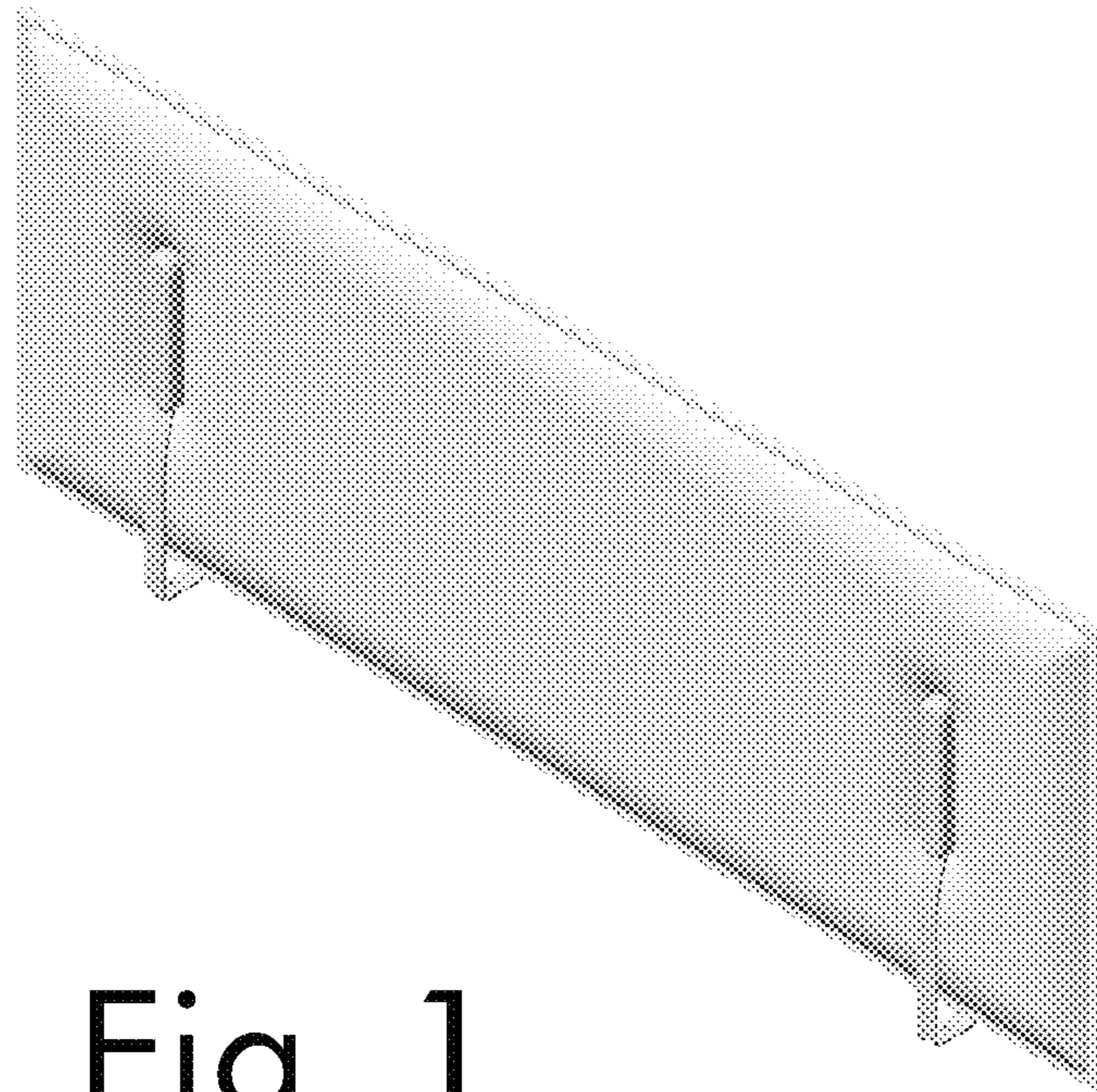


Fig. 1

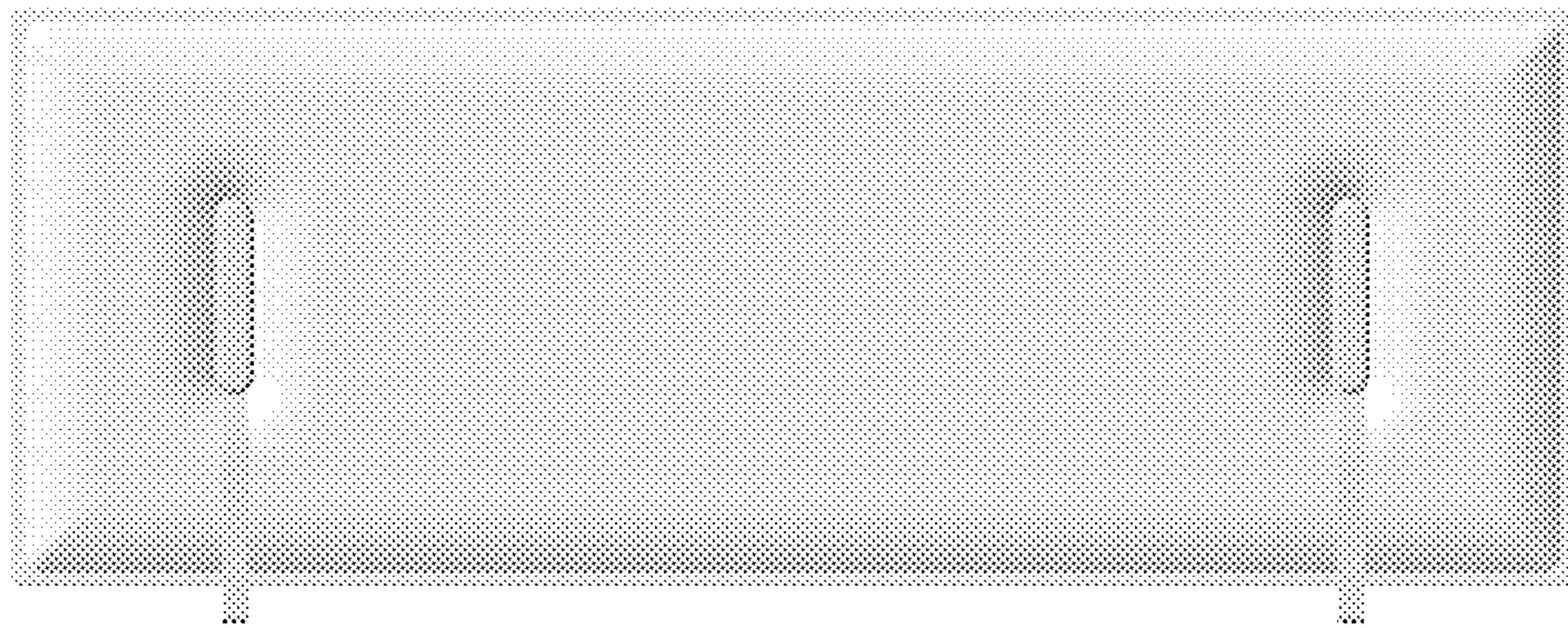


Fig. 2

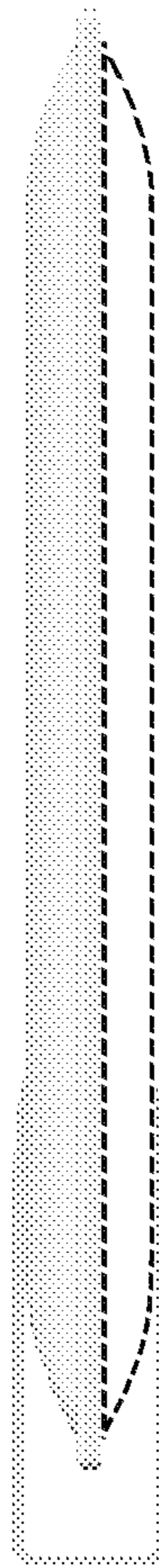


Fig. 3