



US00D779837S

(12) **United States Design Patent**
Lin

(10) **Patent No.:** **US D779,837 S**

(45) **Date of Patent:** **** Feb. 28, 2017**

(54) **PUSH KNOB**

(71) Applicant: **CHYNG HONG ELECTRONIC CO., LTD.**, Taichung (TW)

(72) Inventor: **Mu-Chun Lin**, Taichung (TW)

(73) Assignee: **CHYNG HONG ELECTRONIC CO., LTD.**, Taichung (TW)

(**) Term: **15 Years**

(21) Appl. No.: **29/544,378**

(22) Filed: **Nov. 3, 2015**

(51) **LOC (10) Cl.** **08-06**

(52) **U.S. Cl.**
USPC **D6/312**

(58) **Field of Classification Search**
USPC D8/300-322, 402; D24/129; D15/144;
D12/174, 177, 190, 192, 400; 292/336.3,
292/347; 16/101.1, 412, 414-420, 441,
16/443-446

CPC ... G05G 1/105; H01H 9/161; H01H 2219/062
See application file for complete search history.

(56) **References Cited**

U.S. PATENT DOCUMENTS

D41,494 S *	6/1911	Seeley	D8/312
D93,624 S *	10/1934	Kasch	D8/312
D227,566 S *	7/1973	Thorp	D23/250
D268,846 S *	5/1983	Jolliffe	D18/12
D268,905 S *	5/1983	Douglas	D9/453
D324,411 S *	3/1992	Jolibois	D23/250
D329,590 S *	9/1992	Chapman	D8/322
5,752,759 A *	5/1998	Pizzo	G05G 1/105 362/23.15
5,857,242 A *	1/1999	Pizzo	G05G 1/12 16/441
6,003,206 A *	12/1999	Hall	G05G 1/105 16/433

D424,401 S *	5/2000	Ziemer	D8/312
D462,913 S *	9/2002	Brisbee	D10/102
D472,947 S *	4/2003	Wu	D21/694
D475,269 S *	6/2003	Matern	D8/312
D589,776 S *	4/2009	Camp	D8/310
D600,094 S *	9/2009	Hwang	D8/312
D632,944 S *	2/2011	Kang	D8/312

(Continued)

OTHER PUBLICATIONS

Vox (JMI) Black Plastic Control Knob, posted at vintageguitarandbass.com, posting date not given, [online], [site visited Sep. 27, 2016]. Available from Internet, <URL: http://www.vintageguitarandbass.com/vox/parts/black_plastic_control.php>.*

(Continued)

Primary Examiner — Caron D Veynar

Assistant Examiner — Maria Edwards

(74) *Attorney, Agent, or Firm* — Ming Chow; Sinorica, LLC

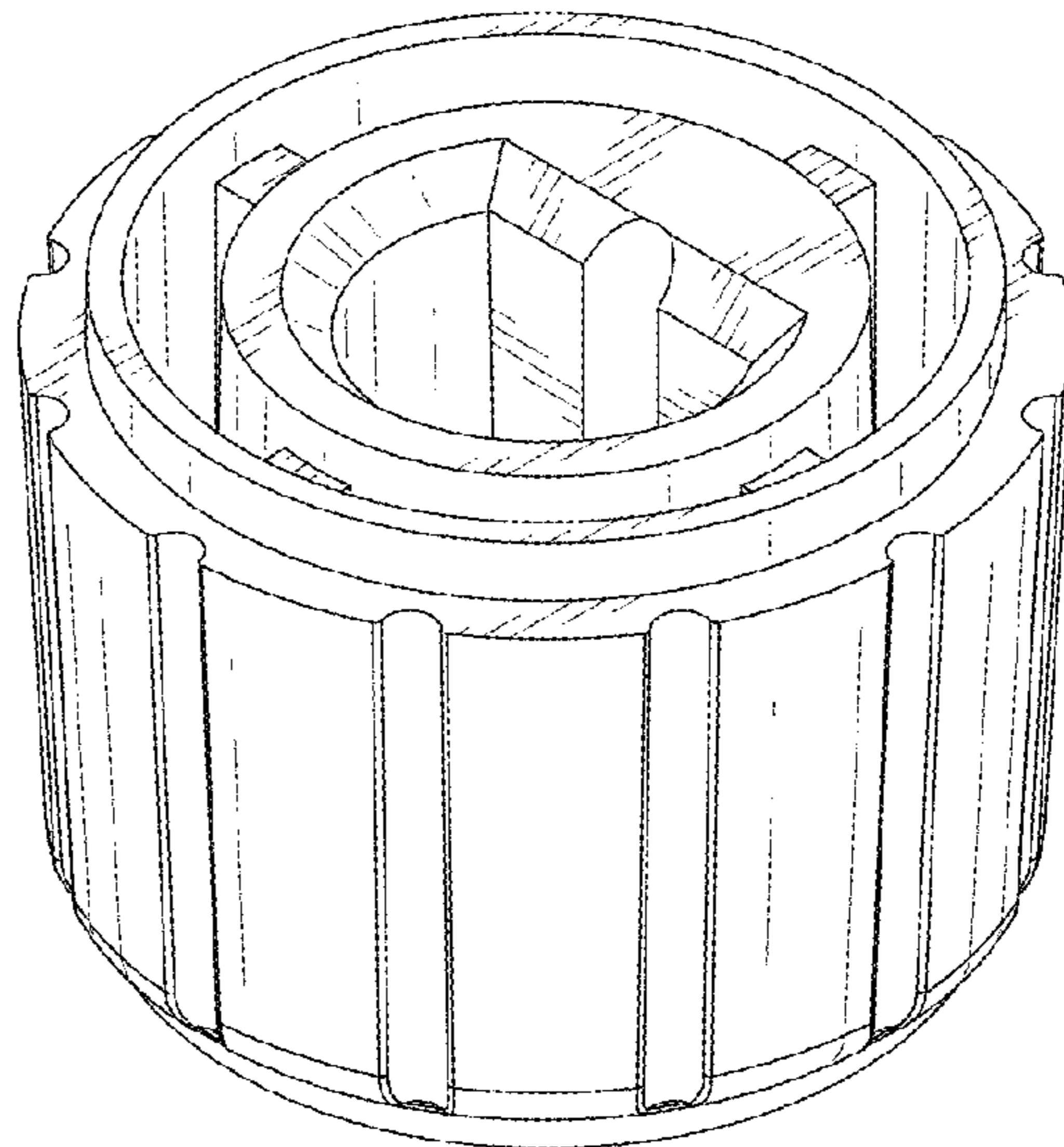
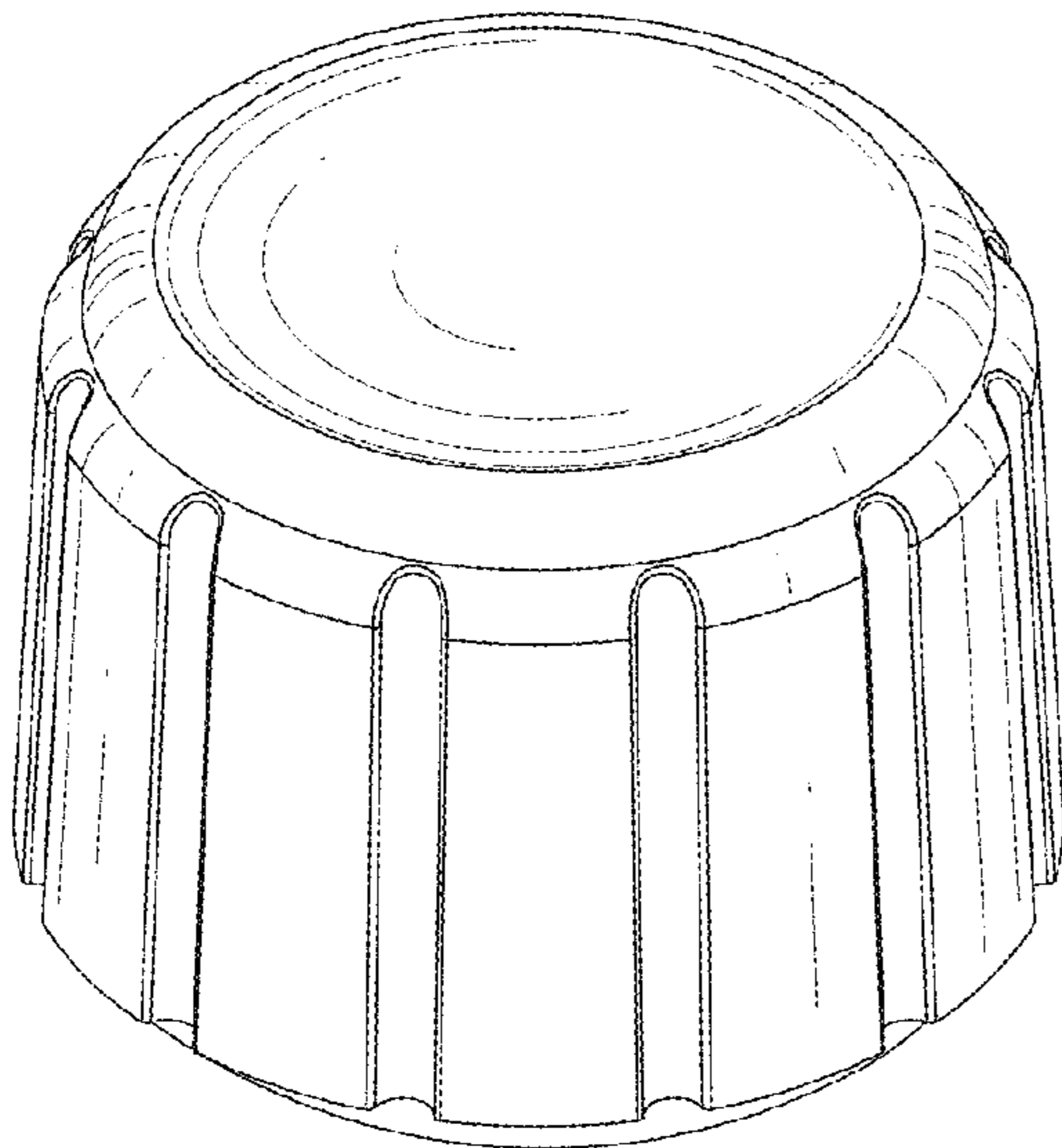
(57) **CLAIM**

I claim the ornamental design for a push knob, as shown and described.

DESCRIPTION

FIG. 1 is a top front perspective view of a push knob showing my new design;
FIG. 2 is a front elevational view thereof;
FIG. 3 is a rear elevational view thereof;
FIG. 4 is a left side elevational view thereof;
FIG. 5 is a right side elevational view thereof;
FIG. 6 is a top plan view thereof;
FIG. 7 is a bottom plan view thereof;
FIG. 8 is bottom front perspective view; and,
FIG. 9 is a section view.

1 Claim, 6 Drawing Sheets



(56)

References Cited

U.S. PATENT DOCUMENTS

D675,655 S * 2/2013 Leach D15/144
D676,551 S * 2/2013 Desai D24/129
D712,716 S * 9/2014 Taylor D8/307
D720,596 S * 1/2015 Dams D8/312
D735,149 S * 7/2015 Lin D13/177
2005/0045231 A1* 3/2005 Hannah F16K 37/0058
137/553
2016/0161019 A1* 6/2016 Chen F16K 31/50
137/555

OTHER PUBLICATIONS

1_8_Bore Knobs, posted at [surplussales.com](https://www.surplussales.com), posting date not given, [online], [site visited Sep. 27, 2016]. Available from Internet, <URL: <https://www.surplussales.com/ShaftHardware/Knobs13.html>>.*

Small Ridged Control Knob on TinEye, posted at TinEye.com, posting date Jul. 3, 2016, [online], [site visited Sep. 27, 2016]. Available from Internet, <URL: <https://tineye.com/search/eff9ab45557948e1c91b85114935be0a4ec93805/?pluginver=chrome1.1.5>>.*

* cited by examiner

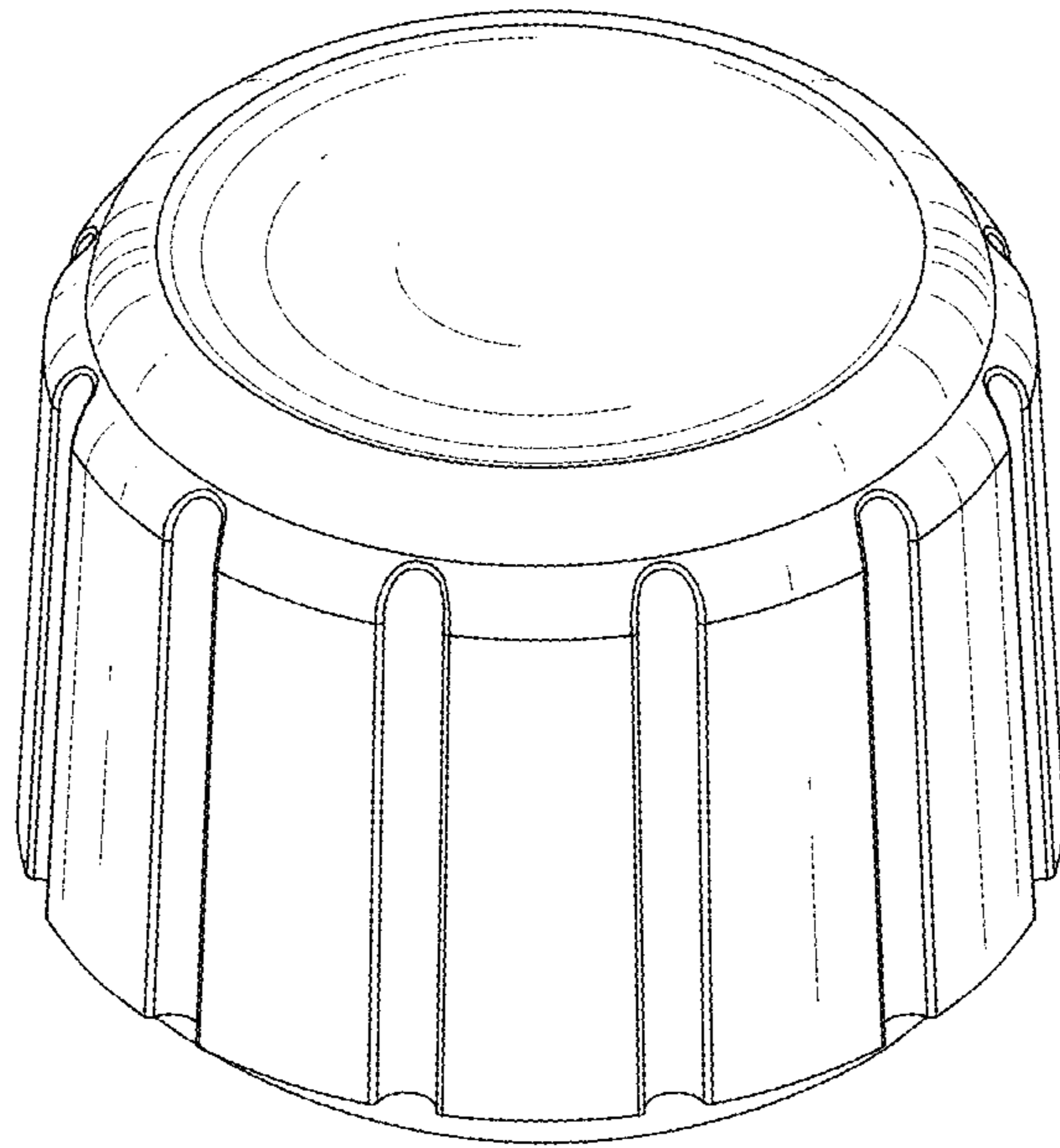


FIG. 1

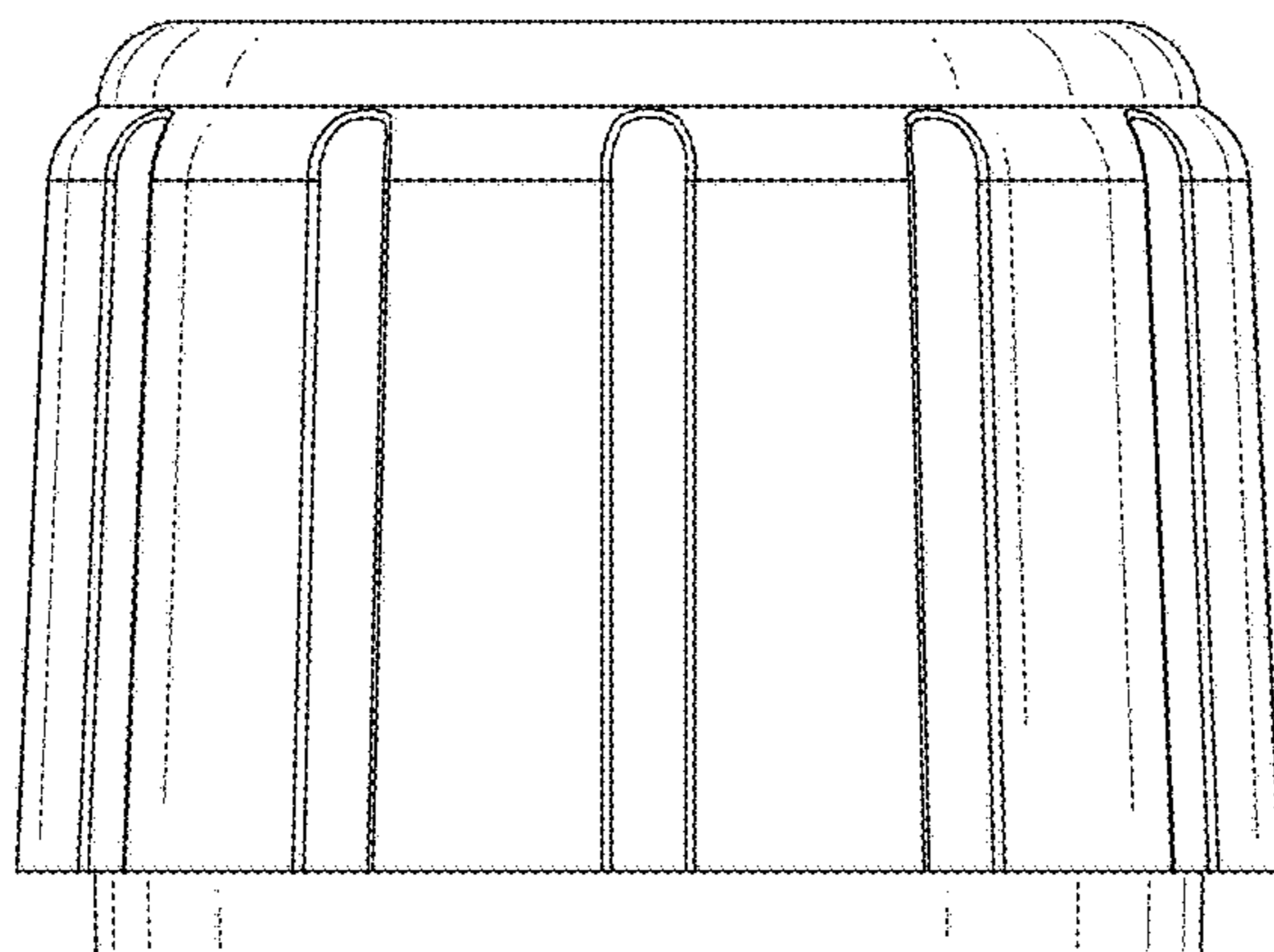


FIG. 2

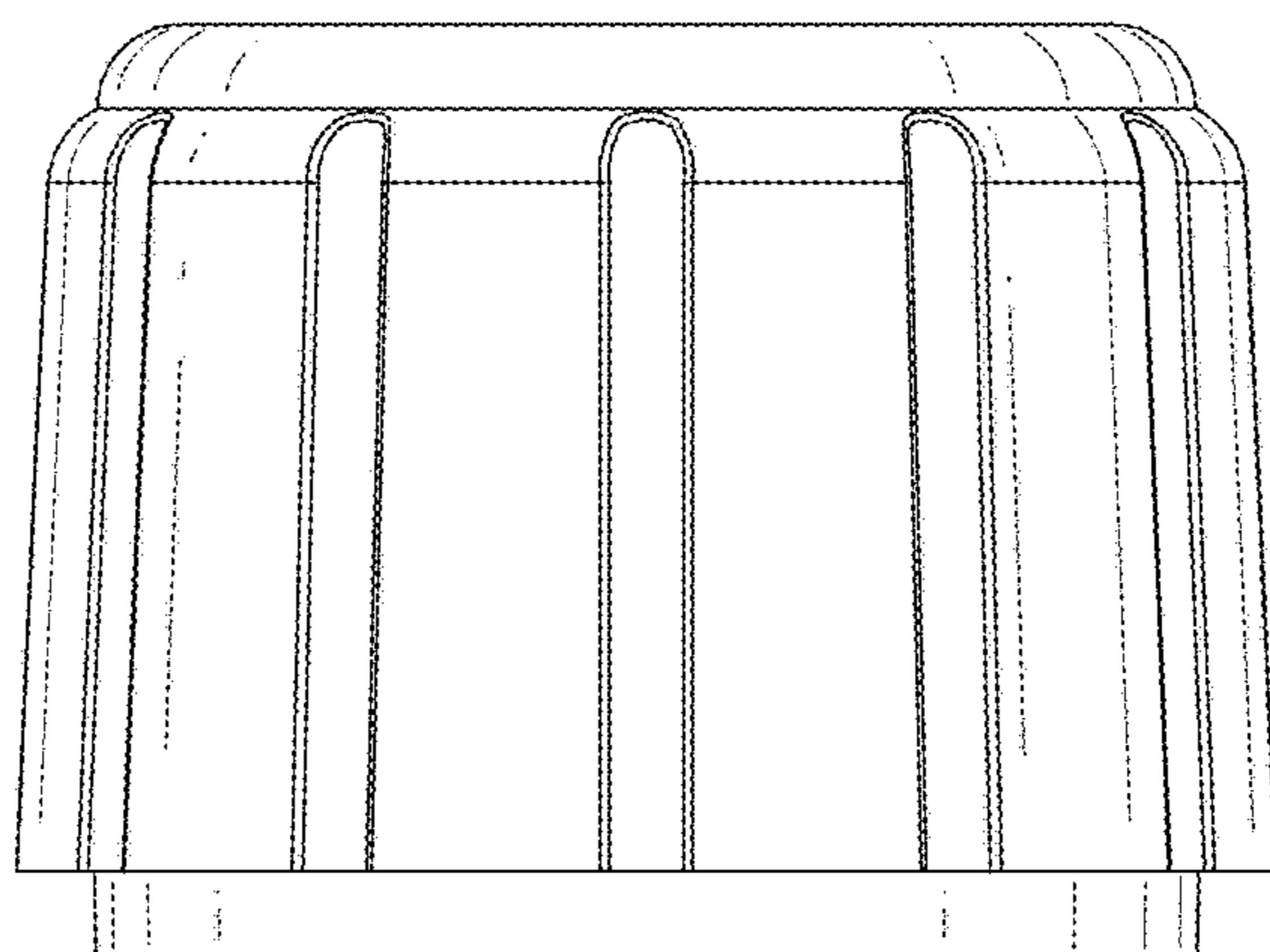


FIG. 3

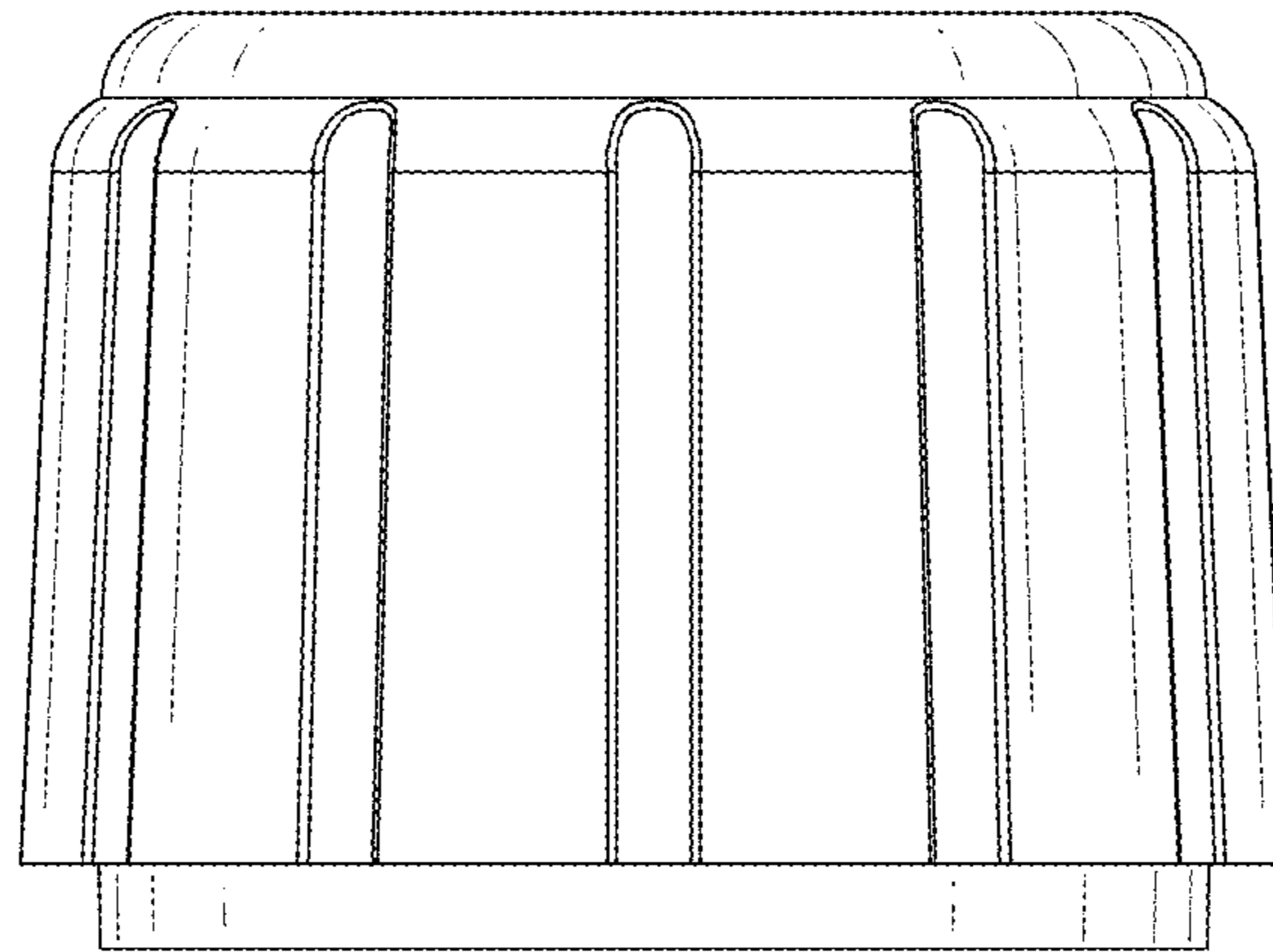


FIG. 4

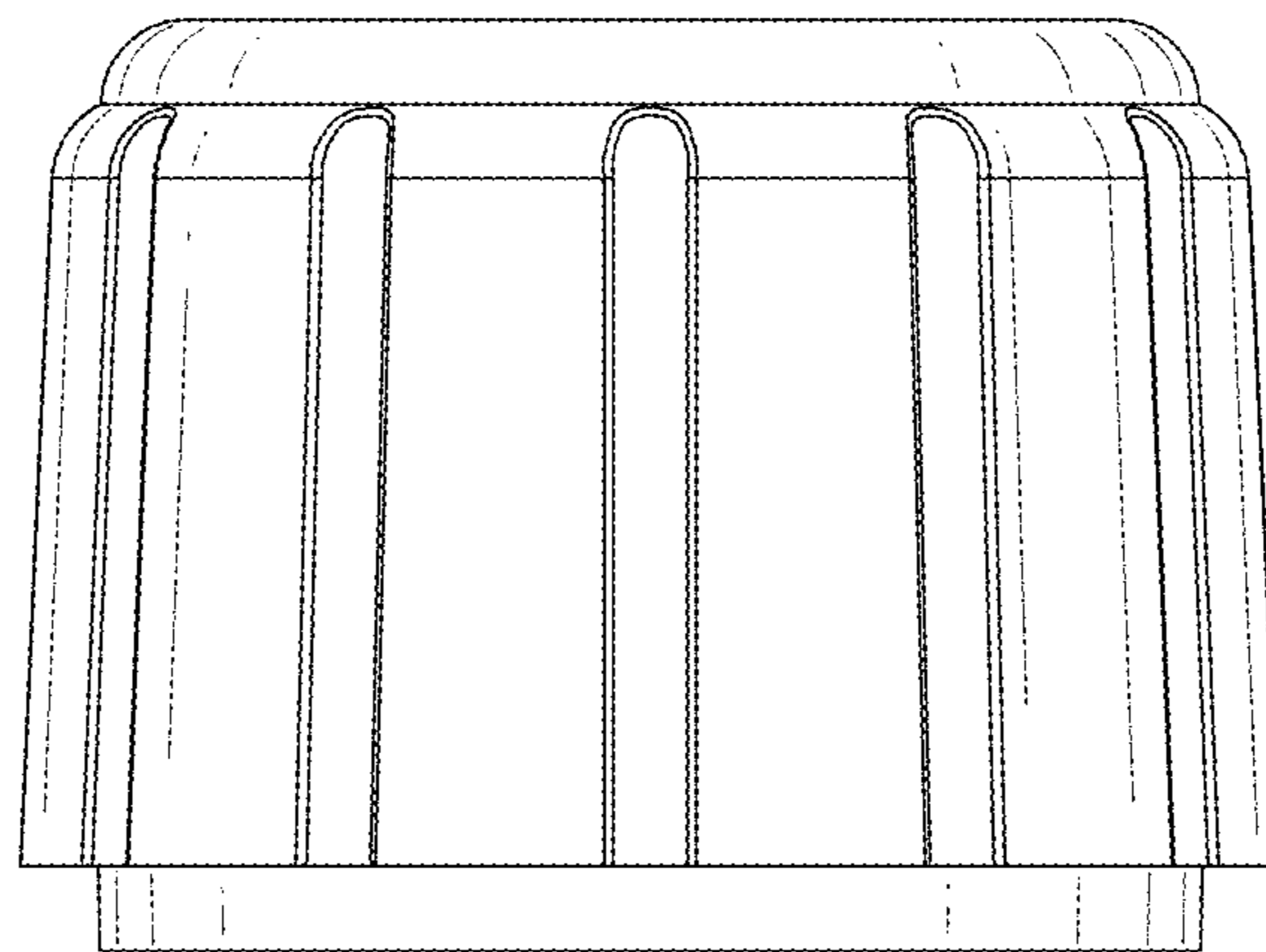


FIG. 5

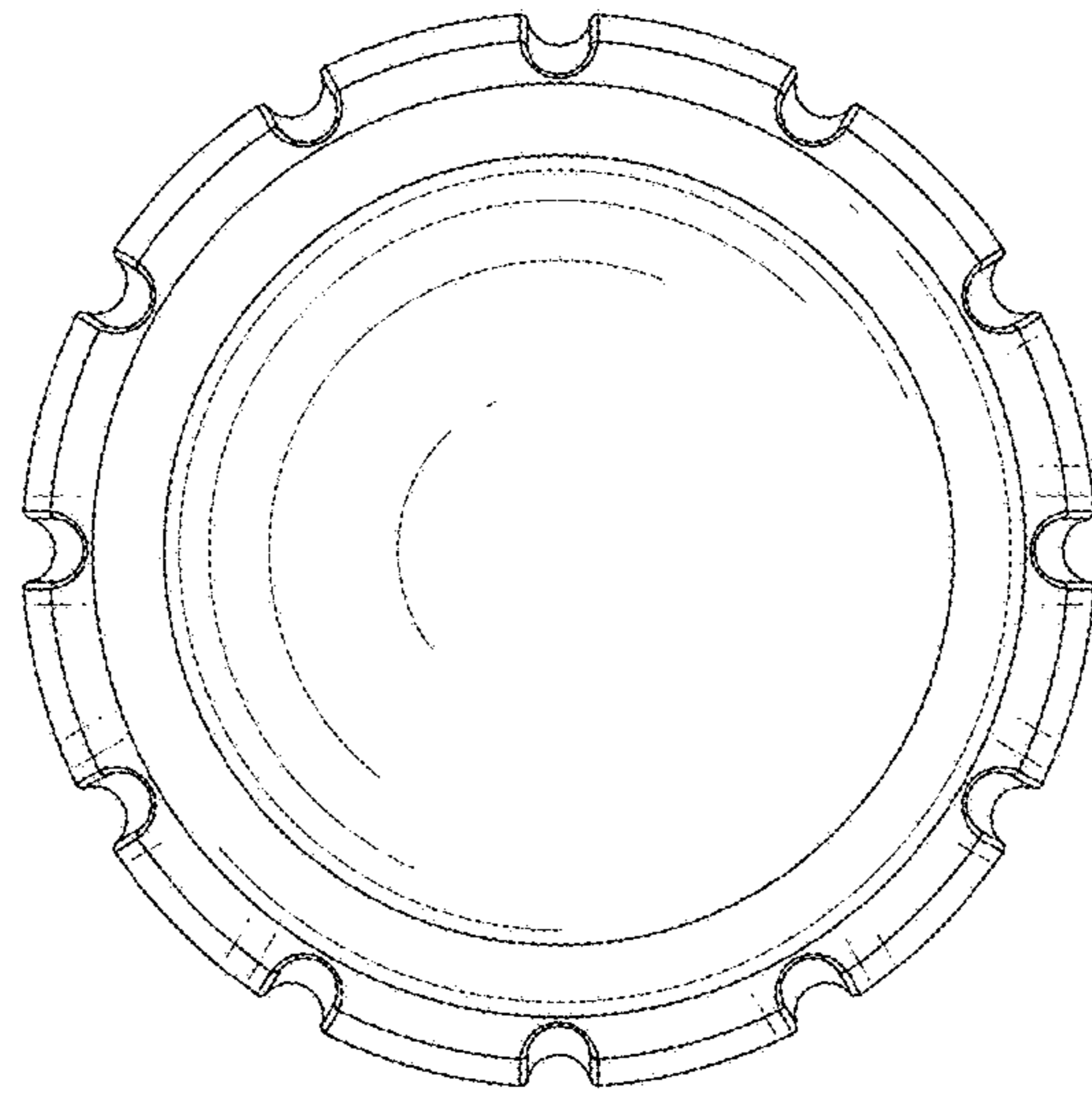


FIG. 6

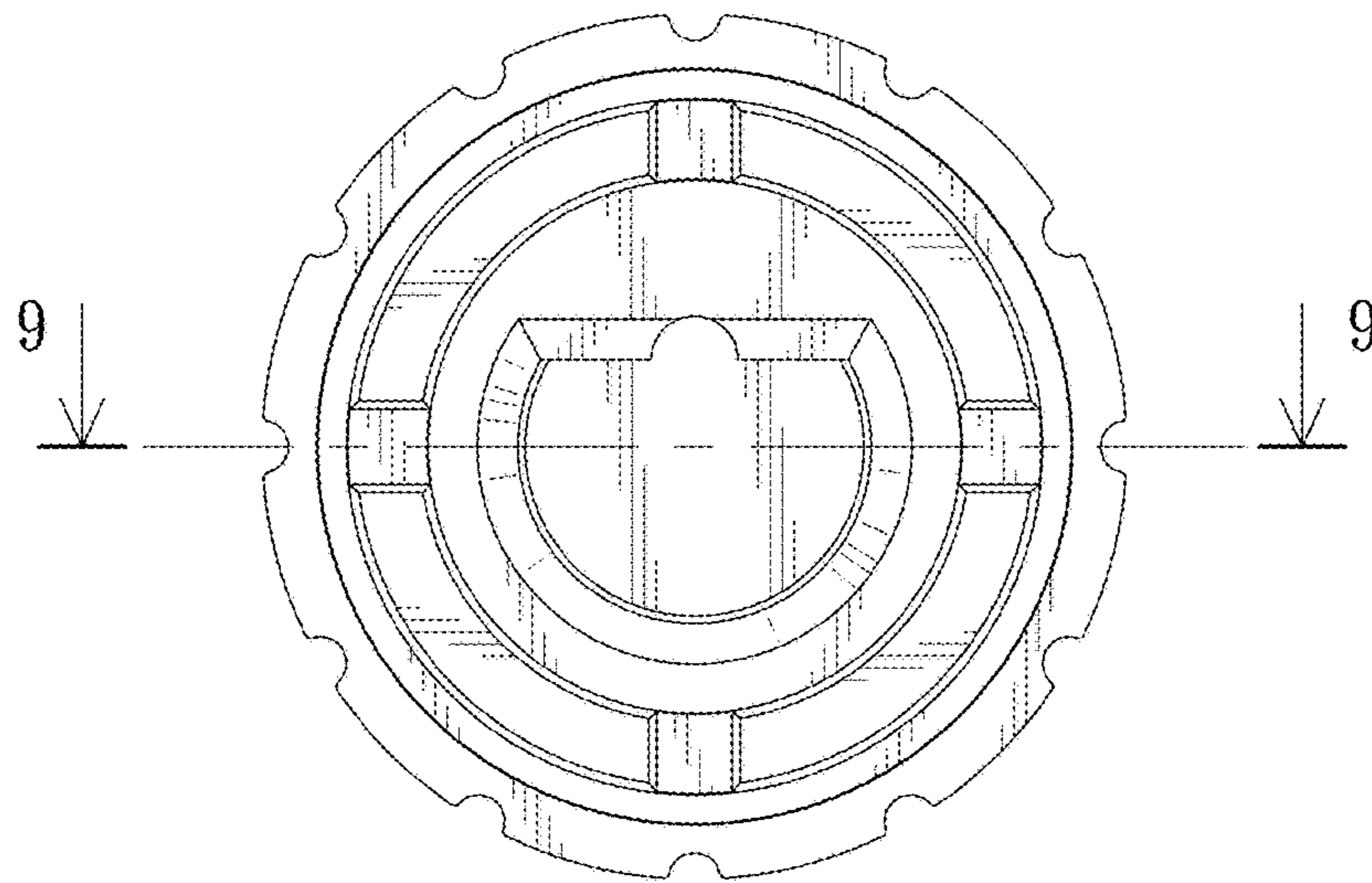


FIG. 7

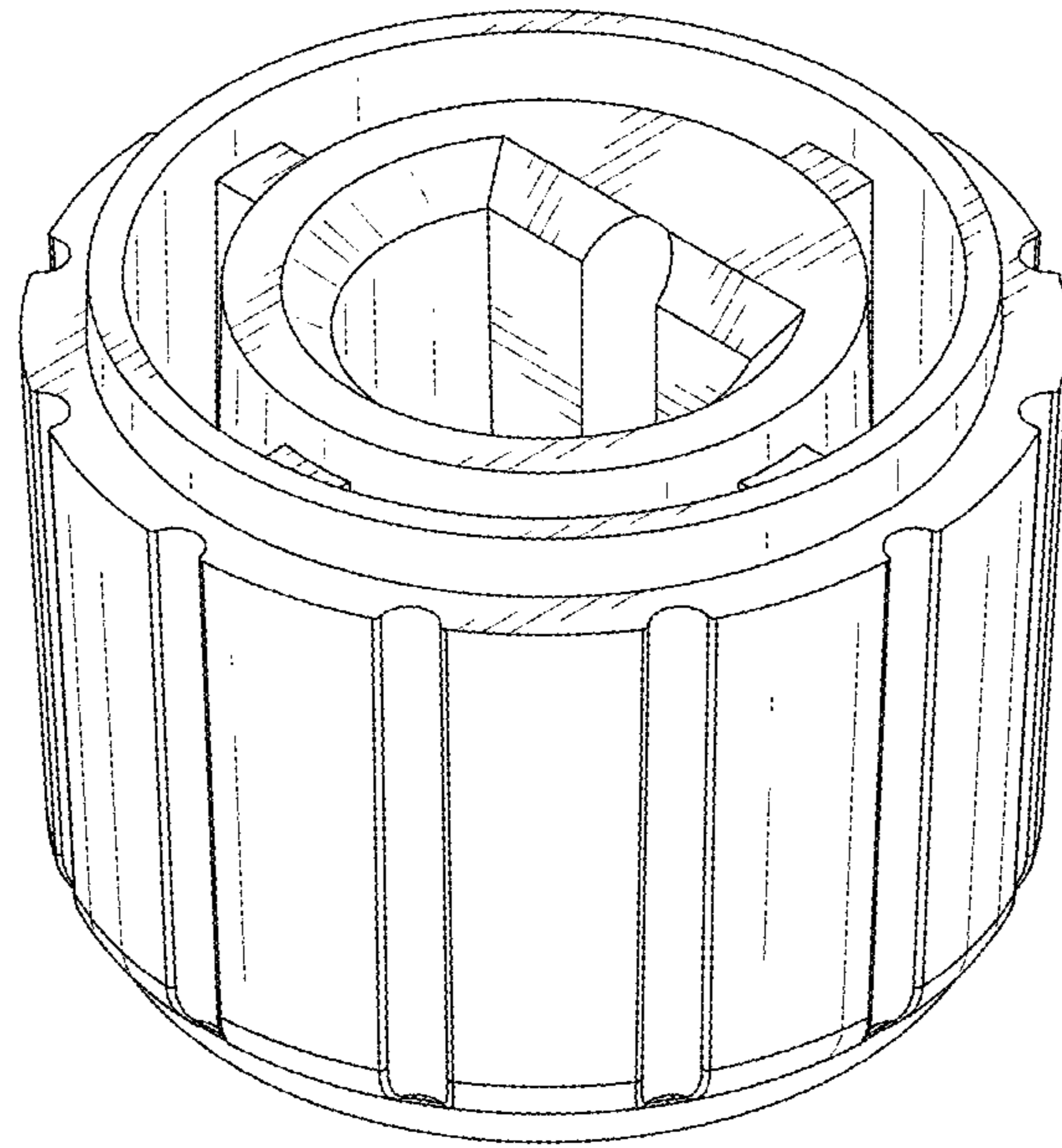


FIG. 8

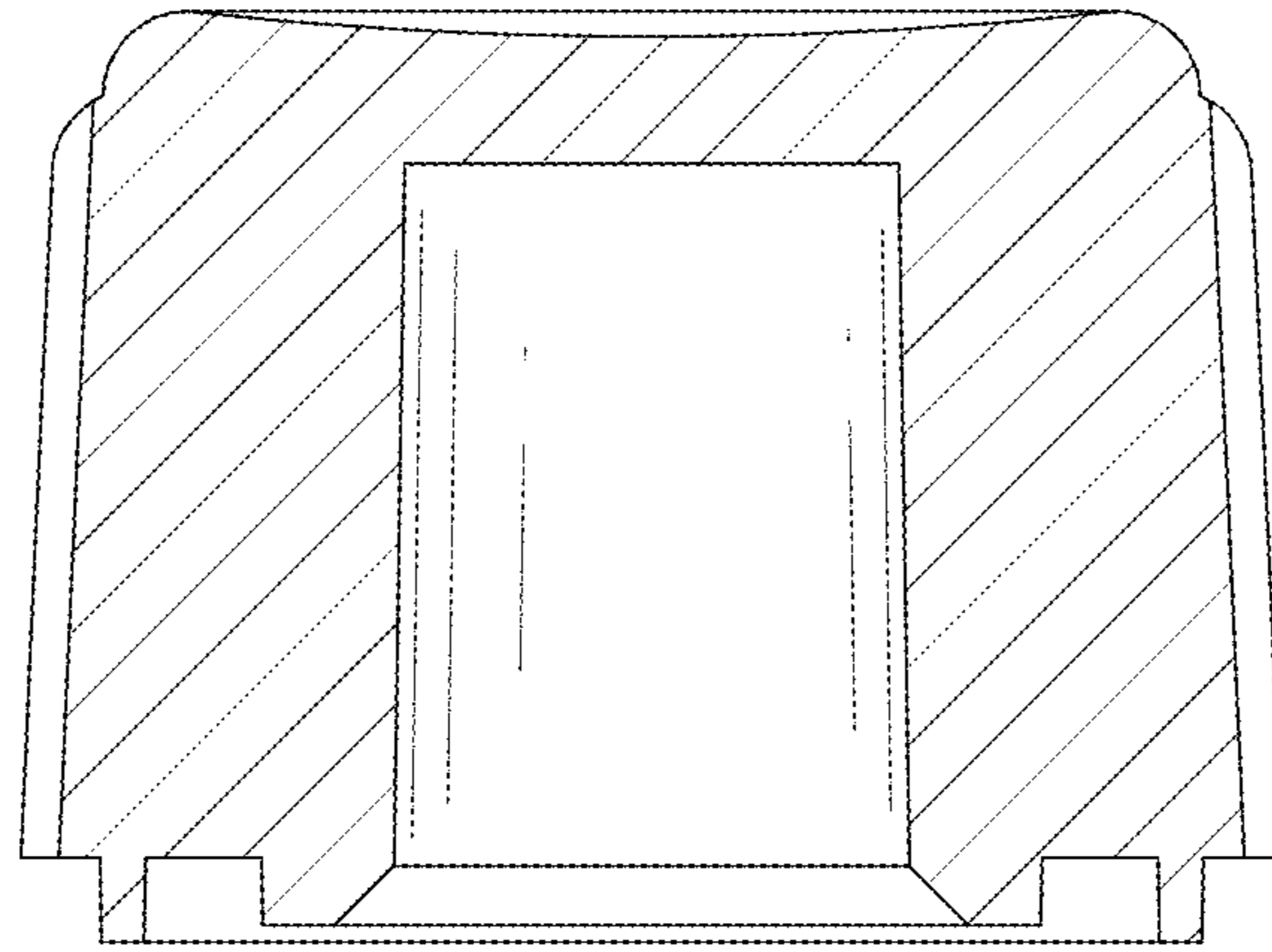


FIG. 9