



US00D779836S

(12) **United States Design Patent** (10) **Patent No.:** **US D779,836 S**  
**Bailey** (45) **Date of Patent:** **\*\* Feb. 28, 2017**

(54) **VANITY MIRROR WITH BLUETOOTH SPEAKERPHONE**

D652,220 S \* 1/2012 Pitot ..... D6/309  
8,356,908 B1 \* 1/2013 Zadro ..... A45D 42/10  
362/135  
D701,050 S \* 3/2014 Yang ..... D6/309  
D701,507 S \* 3/2014 Cope ..... D14/374  
D707,454 S \* 6/2014 Pitot ..... D6/309

(71) Applicant: **Mitchell Bailey**, Rahway, NJ (US)

(72) Inventor: **Mitchell Bailey**, Rahway, NJ (US)

(73) Assignee: **SDI TECHNOLOGIES, INC.**,  
Rahway, NJ (US)

(\*\*) Term: **15 Years**

(21) Appl. No.: **29/537,082**

(22) Filed: **Aug. 21, 2015**

(51) **LOC (10) Cl.** ..... **06-07**

(52) **U.S. Cl.**  
USPC ..... **D6/309**

(58) **Field of Classification Search**  
USPC ..... D6/308, 309, 310; D28/64.1, 64.7  
CPC ..... A45D 42/00; A45D 42/08; A45D 42/10;  
A45D 42/16; H01R 9/0515; H01R  
9/0518; H01R 39/12; F21V 33/004  
See application file for complete search history.

(56) **References Cited**

**U.S. PATENT DOCUMENTS**

D114,451 S \* 4/1939 Lazarus ..... D6/308  
D208,234 S \* 8/1967 Ely ..... D6/308  
4,072,314 A \* 2/1978 Rosen ..... A63J 21/00  
273/161  
D425,313 S \* 5/2000 Zadro ..... D6/309  
6,241,357 B1 \* 6/2001 Lee ..... A45D 42/00  
359/872  
D509,369 S \* 9/2005 Snell ..... D6/310  
7,048,406 B1 \* 5/2006 Shih ..... A45D 42/10  
362/135  
D547,555 S \* 7/2007 Lo ..... D6/312  
7,513,476 B1 \* 4/2009 Huang ..... A45D 42/16  
248/474  
D649,790 S \* 12/2011 Pitot ..... D6/309

**OTHER PUBLICATIONS**

6" Double-sided Vanity Mirror with Bluetooth Audio / Speakerphone and USB Charging, [online], [site visited Aug. 31, 2016]. Available from Internet, <URL: <http://www.ihomeaudio.com/iCVBT5W/>>.\*

*Primary Examiner* — Karen S Acker

*Assistant Examiner* — Katrina Gonzalez

(74) *Attorney, Agent, or Firm* — Ostrolenk Faber LLP

(57) **CLAIM**

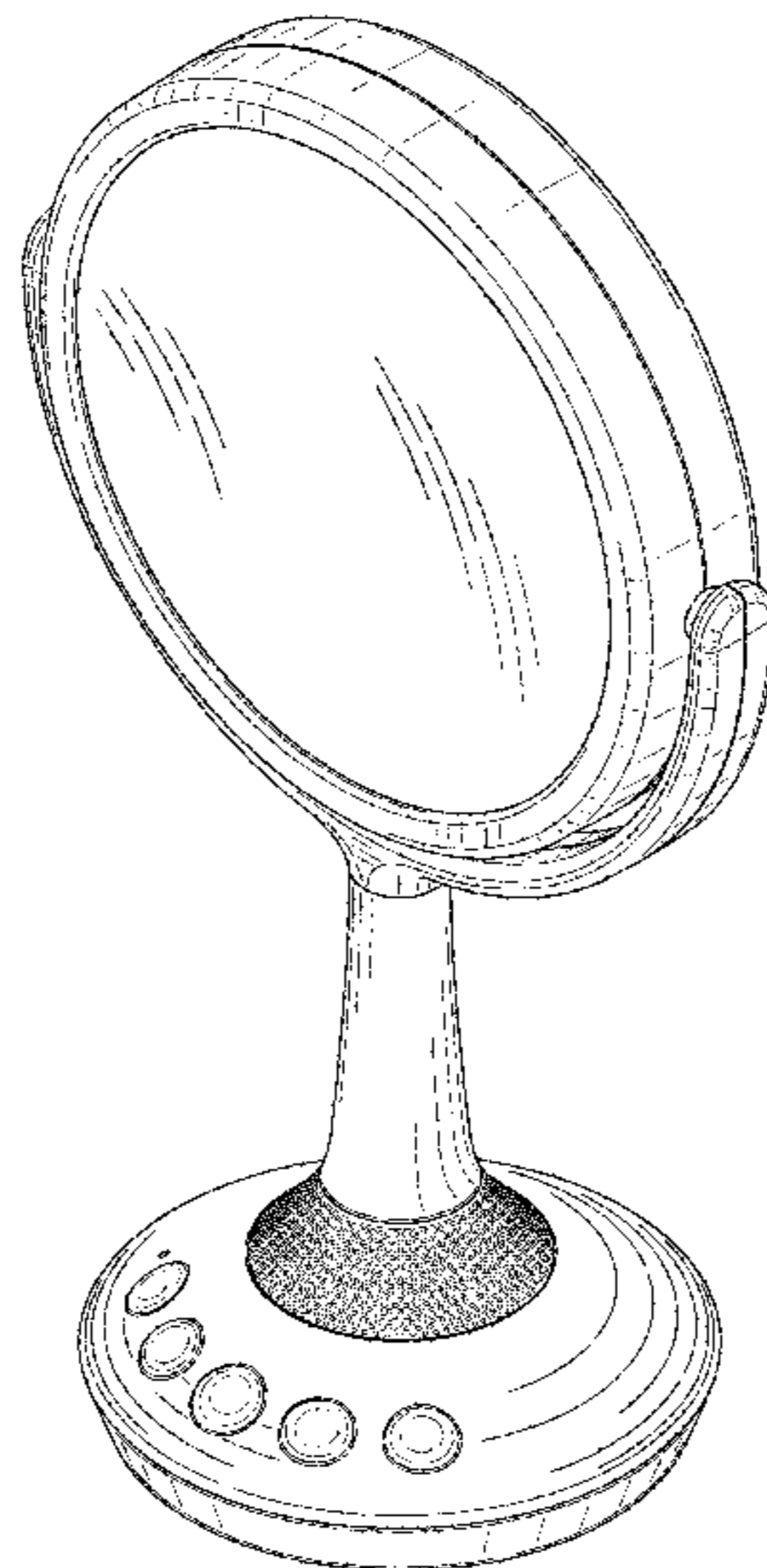
The ornamental design for a vanity mirror with bluetooth speakerphone, as shown and described.

**DESCRIPTION**

FIG. 1 is a top, front perspective view of a vanity mirror with bluetooth speakerphone showing my new design;  
FIG. 2 is a front view thereof;  
FIG. 3 is a rear view thereof;  
FIG. 4 is a right side view thereof;  
FIG. 5 is a left side view thereof;  
FIG. 6 is a top view thereof;  
FIG. 7 is a bottom view thereof; and,  
FIG. 8 is a cross-sectional view thereof along line 8-8 in FIG. 2.

The broken lines and the areas within depicting the interior of the article, as shown in FIG. 8, represent portions of the vanity mirror with bluetooth speakerphone that form no part of the claimed design.

**1 Claim, 7 Drawing Sheets**



(56)

**References Cited**

U.S. PATENT DOCUMENTS

8,746,917	B2 *	6/2014	Zimmerman	.....	A45D 42/00 219/220
D711,874	S *	8/2014	Cope	.....	D14/374
D729,525	S *	5/2015	Tsai	.....	D6/300
D729,527	S *	5/2015	Tsai	.....	D6/310
D730,065	S *	5/2015	Tsai	.....	D6/310
D738,118	S *	9/2015	Gyanendra	.....	D6/300
D739,576	S *	9/2015	Okuda	.....	D26/28
9,347,660	B1 *	5/2016	Zadro	.....	A45D 42/08
2014/0362562	A1 *	12/2014	Fung	.....	A45D 42/10 362/144
2016/0142609	A1 *	5/2016	Rolston	.....	A46B 7/04 348/223.1

\* cited by examiner

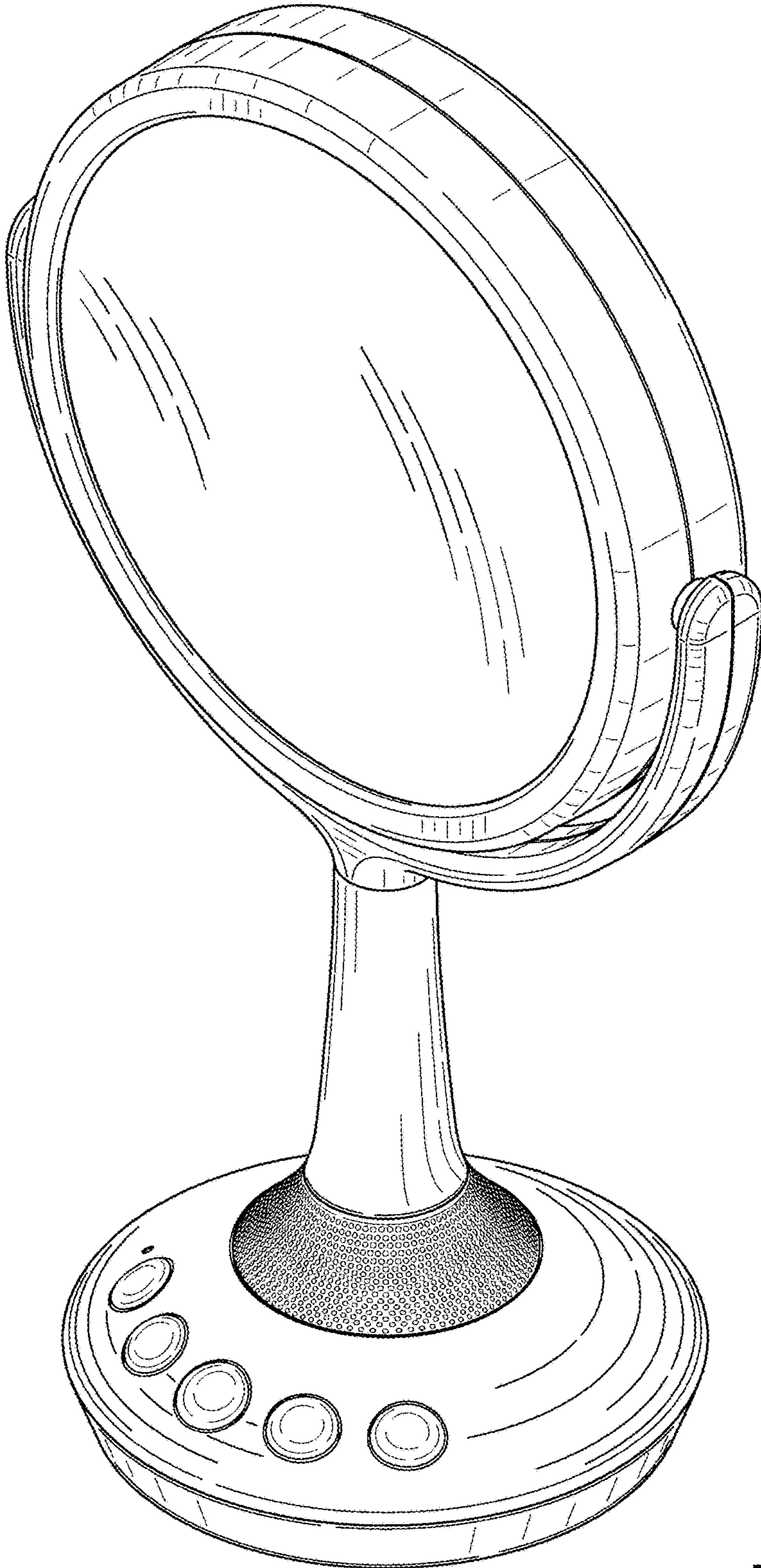


FIG. 1

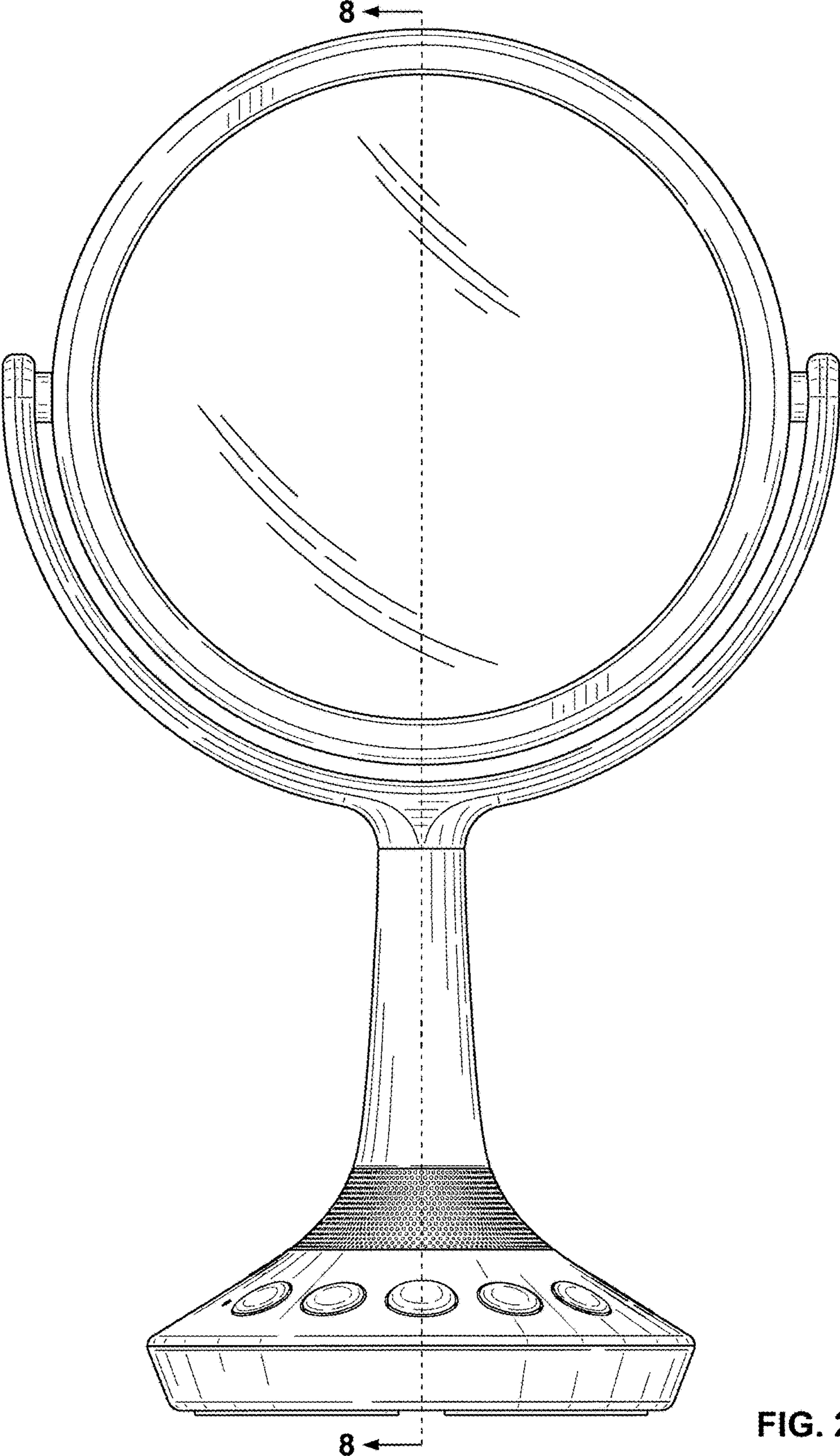


FIG. 2

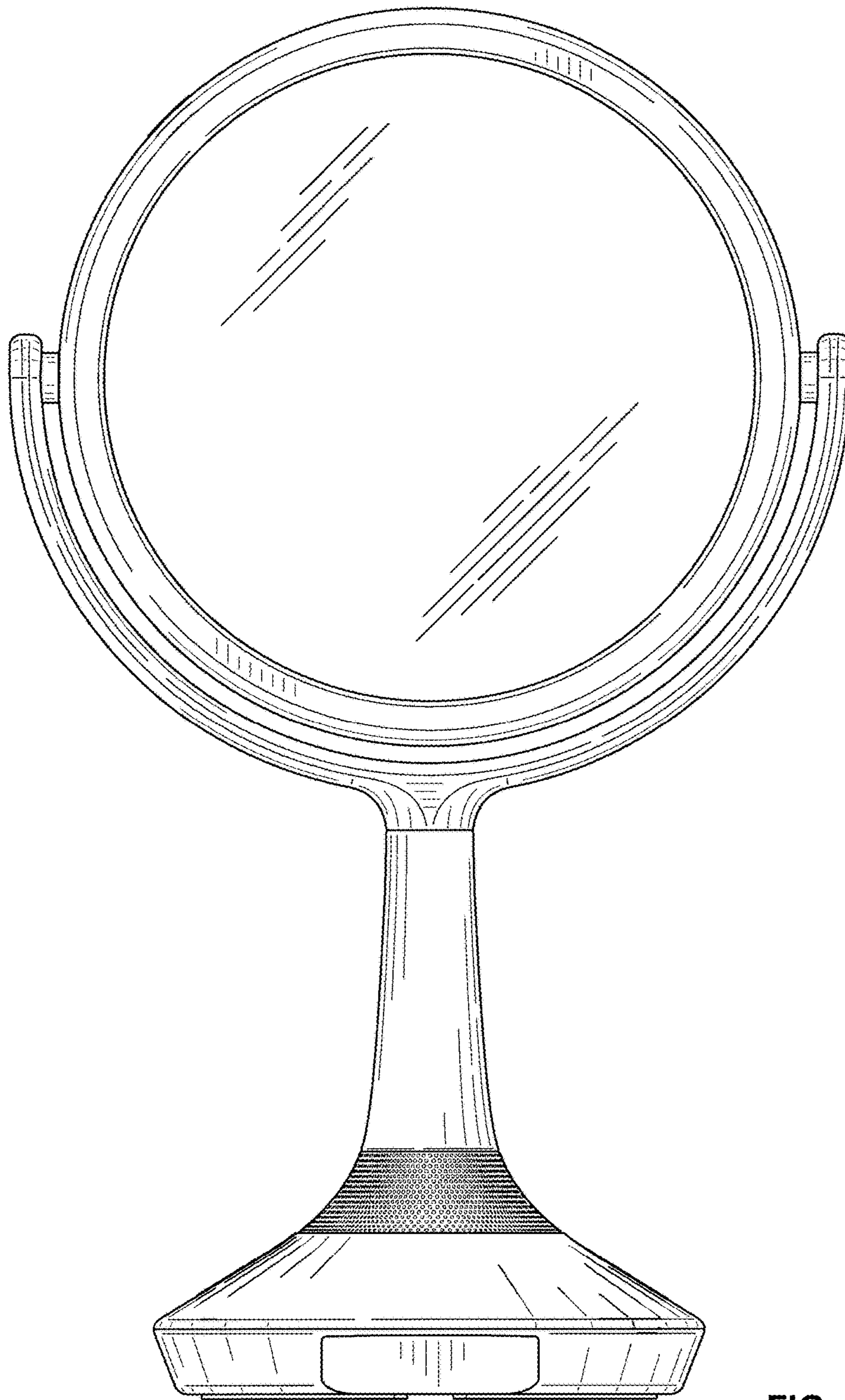


FIG. 3

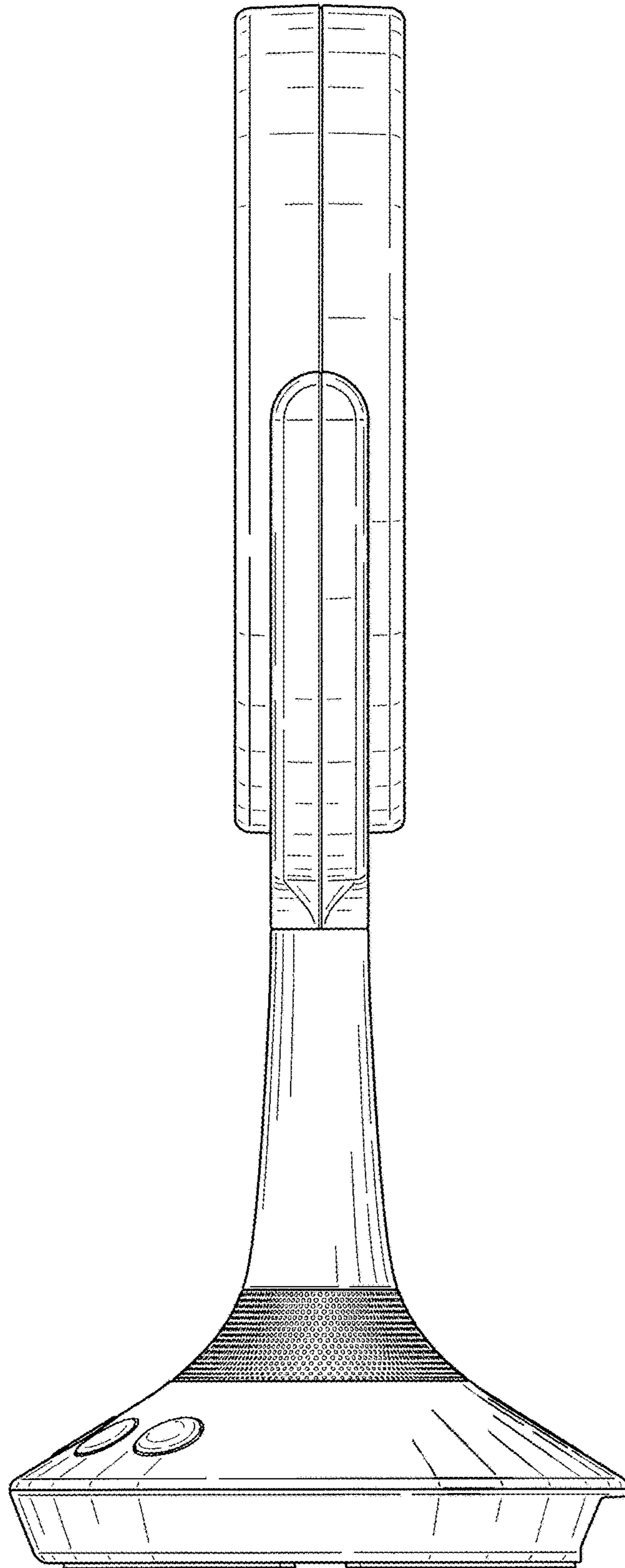


FIG. 4

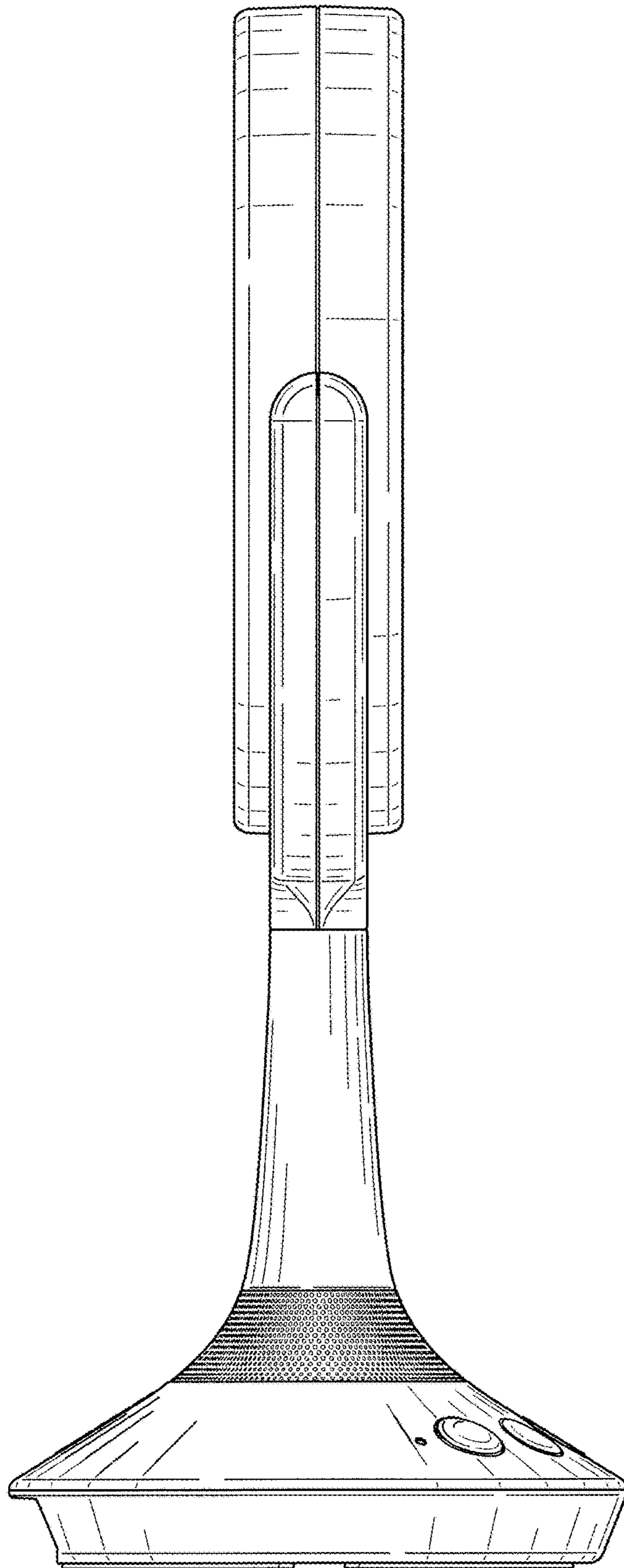


FIG. 5

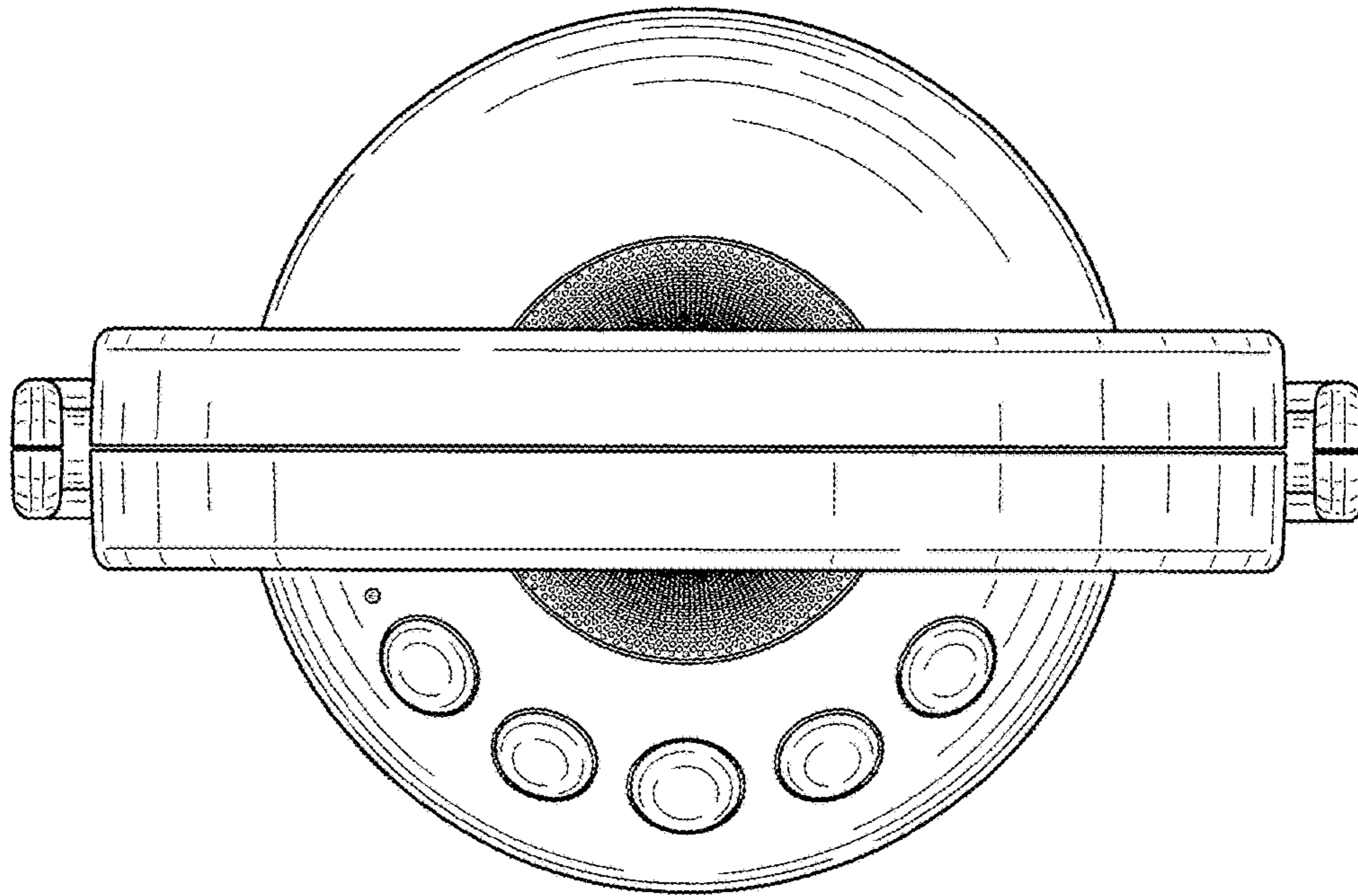


FIG. 6

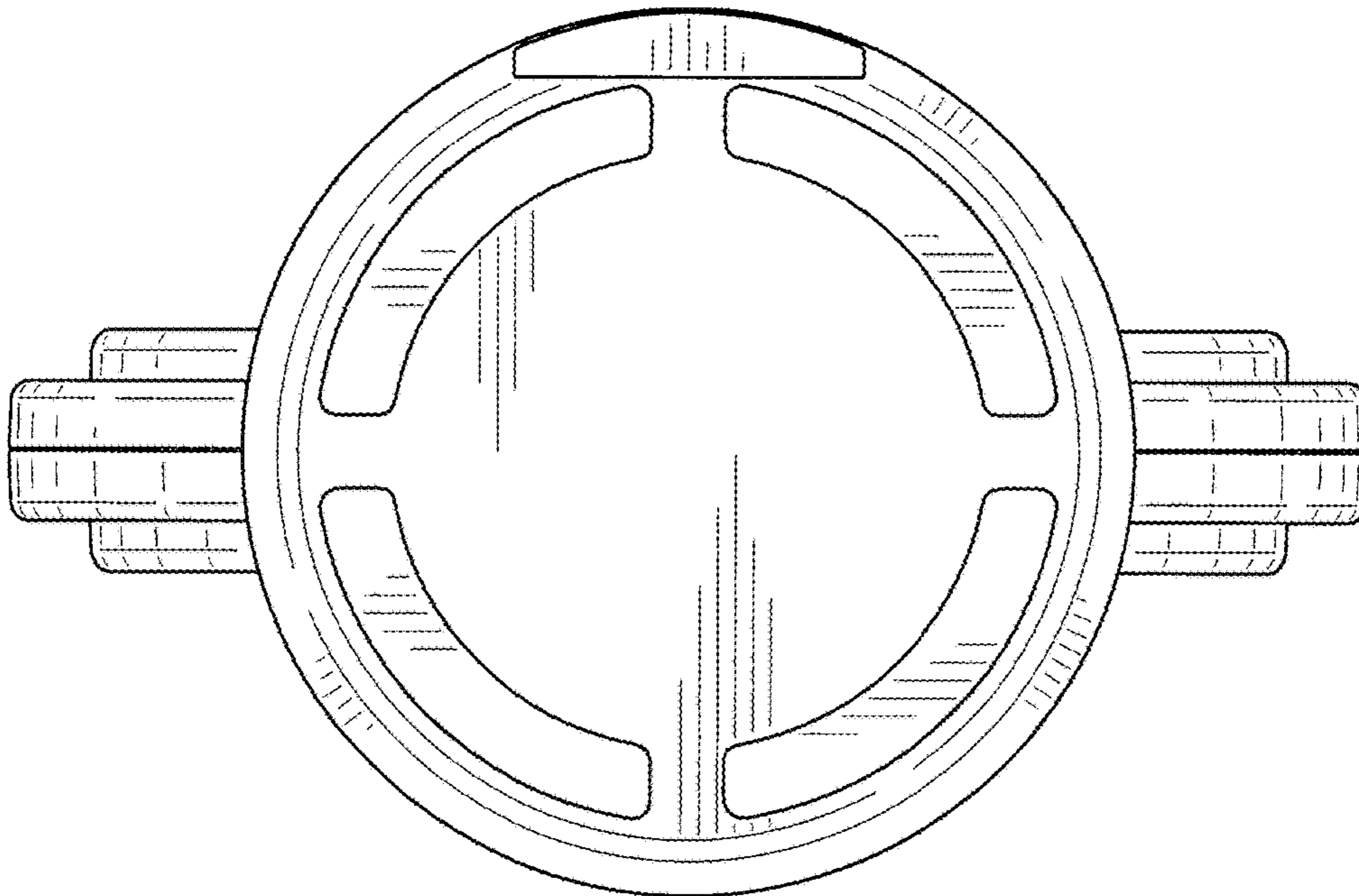


FIG. 7



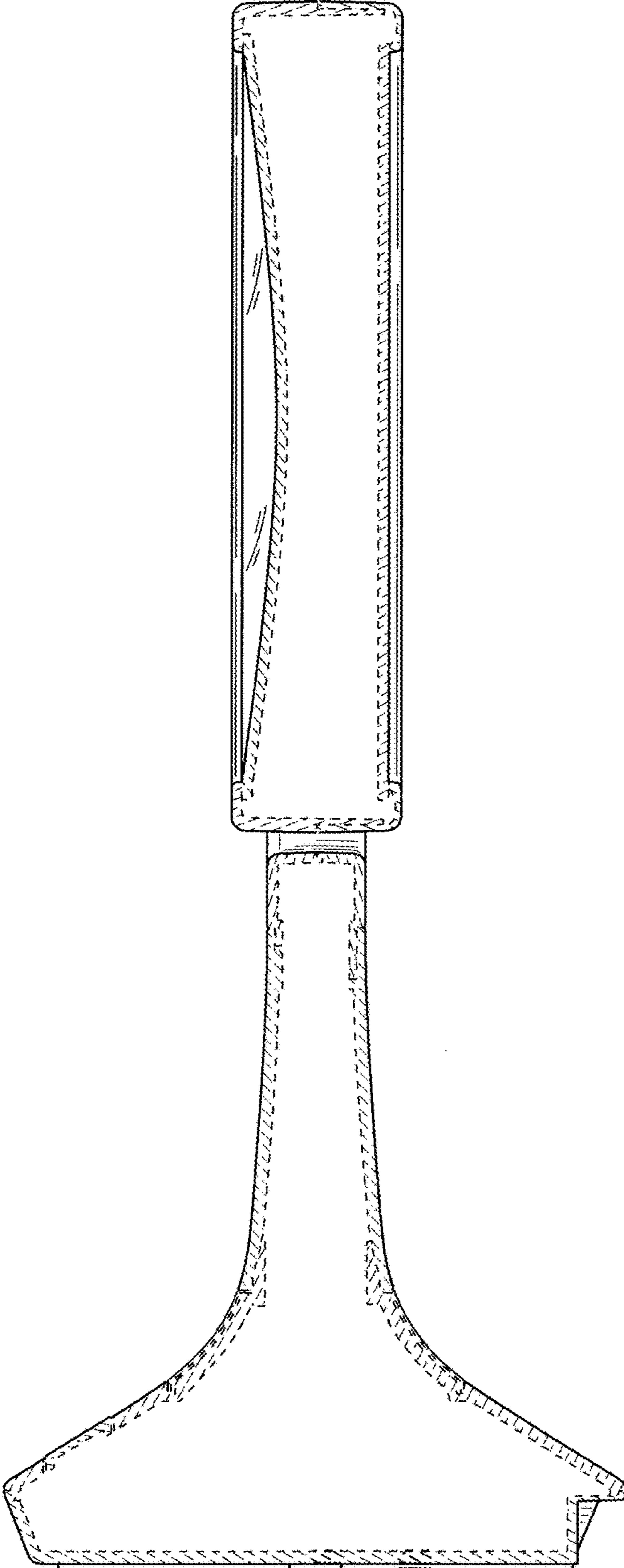


FIG. 8