



US00D779828S

(12) **United States Design Patent** (10) **Patent No.:** **US D779,828 S**  
**Cronkshaw** (45) **Date of Patent:** **\*\* Feb. 28, 2017**

(54) **FOLDABLE BAG**

9,144,278 B2 \* 9/2015 Morrow ..... A45C 3/04  
D768,378 S \* 10/2016 Schilp ..... D3/232  
2004/0020813 A1 \* 2/2004 Moeller ..... A45C 11/00  
206/425

(71) Applicant: **TROLLEY BAGS UK LTD**, Tiverton (GB)

(72) Inventor: **Joby Cronkshaw**, Tiverton (GB)

(73) Assignee: **TROLLEY BAGS UK LTD.**, Tiverton (GB)

(\*\*) Term: **15 Years**

(21) Appl. No.: **29/546,056**

(22) Filed: **Nov. 18, 2015**

(30) **Foreign Application Priority Data**

May 19, 2015 (EM) ..... 002703363-0001

(51) **LOC (10) Cl.** ..... **03-02**

(52) **U.S. Cl.**  
USPC ..... **D3/315**

(58) **Field of Classification Search**  
USPC ..... D3/232, 233, 246, 276, 315  
CPC ..... A45C 7/009; A45C 7/0077; A45C 3/04  
See application file for complete search history.

(56) **References Cited**

**U.S. PATENT DOCUMENTS**

D444,297 S \* 7/2001 Starck ..... D3/276  
D548,459 S \* 8/2007 Harvey ..... D3/246  
D562,555 S \* 2/2008 Shapiro ..... D3/303  
D572,472 S \* 7/2008 Saconay-Duhart ..... D3/246  
D630,844 S \* 1/2011 Wang ..... D3/232  
D720,131 S \* 12/2014 Siegel ..... D3/233

**FOREIGN PATENT DOCUMENTS**

EM 001726472-0001 6/2010  
EM 001726472-0002 6/2010  
IE 09/0718 6/2010

\* cited by examiner

*Primary Examiner* — Charles Hanson

(74) *Attorney, Agent, or Firm* — Crose Law LLC;  
Bradley D. Crose

(57) **CLAIM**

The ornamental design for a foldable bag, as shown and described.

**DESCRIPTION**

FIG. 1 is a front perspective view of a foldable bag showing my new design:

FIG. 2 is a top perspective view thereof;

FIG. 3 is a side perspective view thereof;

FIG. 4 is a second front perspective view thereof;

FIG. 5 is a front plan view thereof;

FIG. 6 is a third front perspective view thereof;

FIG. 7 is an end perspective view thereof;

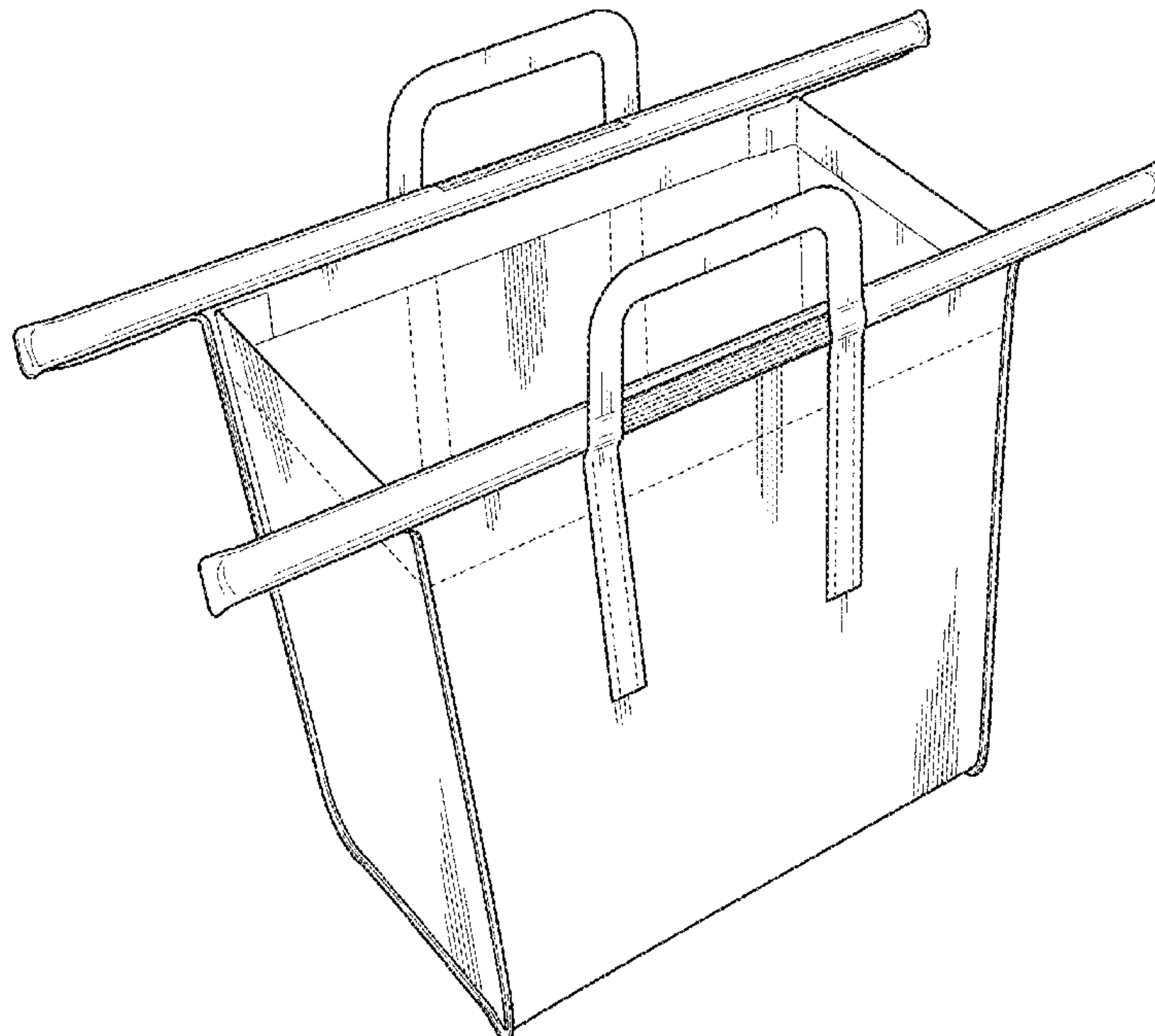
FIG. 8 is a an end plan view thereof;

FIG. 9 is a bottom plan view thereof; and,

FIG. 10 is a top plan view thereof.

The broken lines shown in the drawings are included for the purpose of illustrating environmental structure and form no part of the claimed design.

**1 Claim, 10 Drawing Sheets**



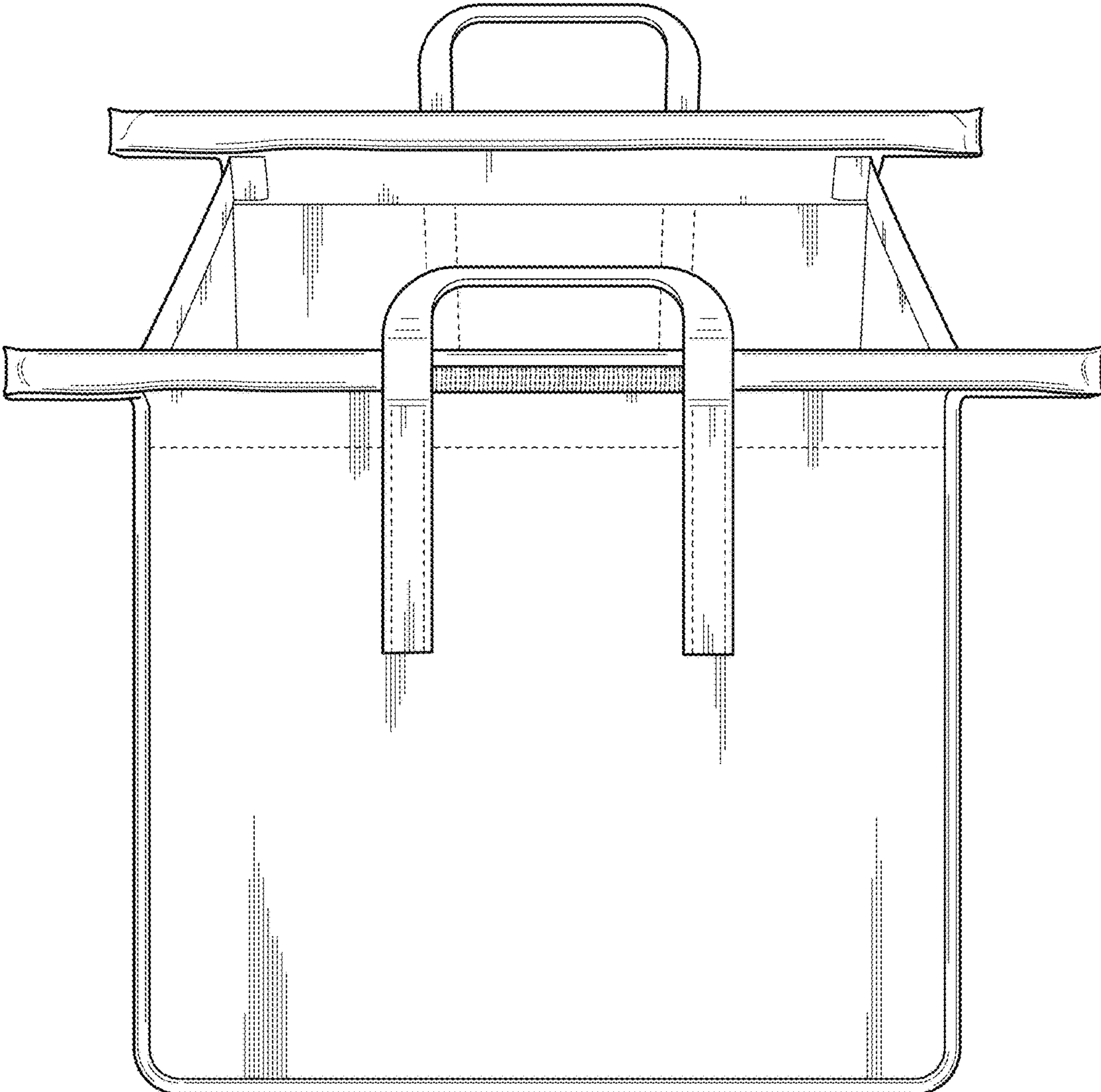


FIG. 1

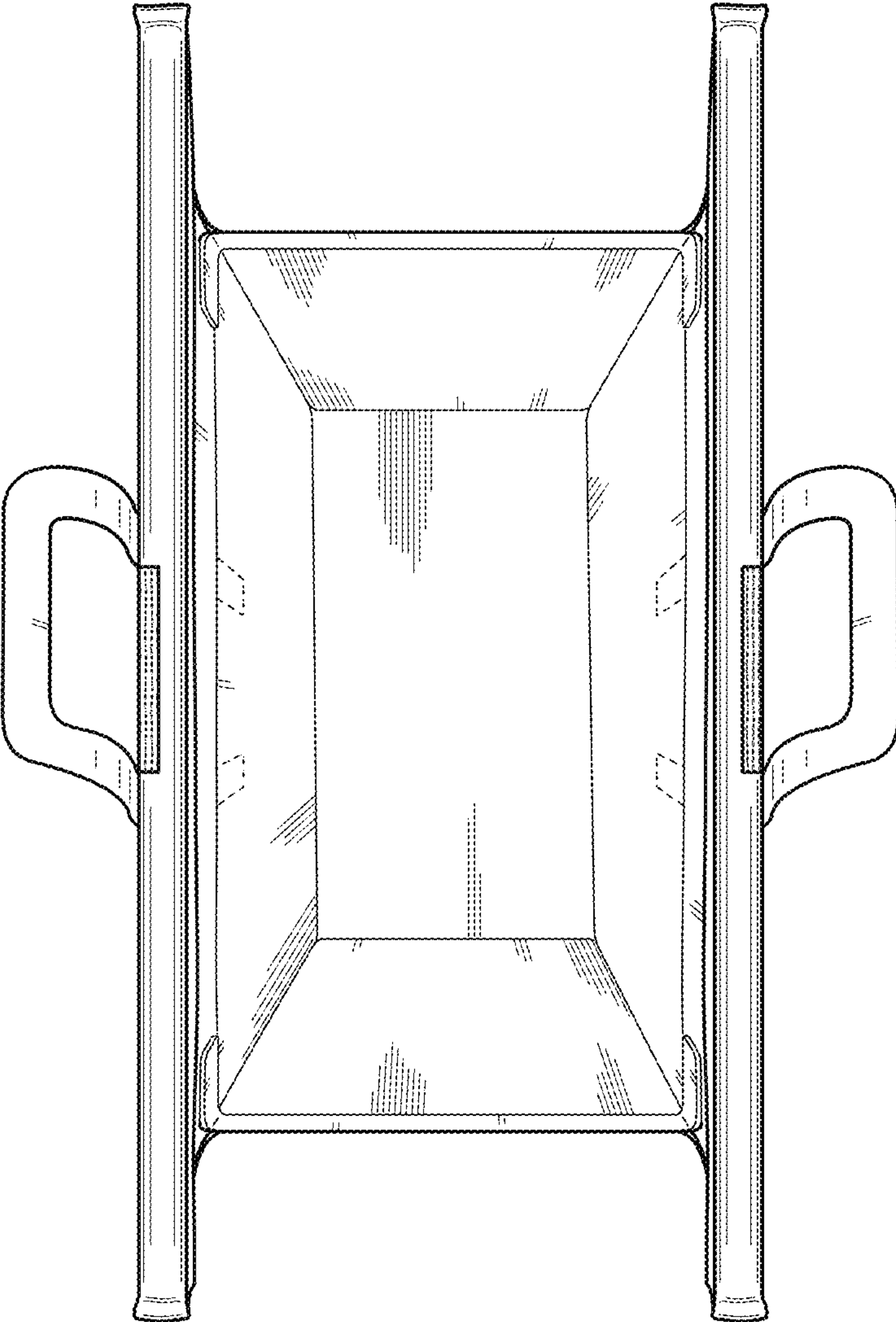


FIG. 2

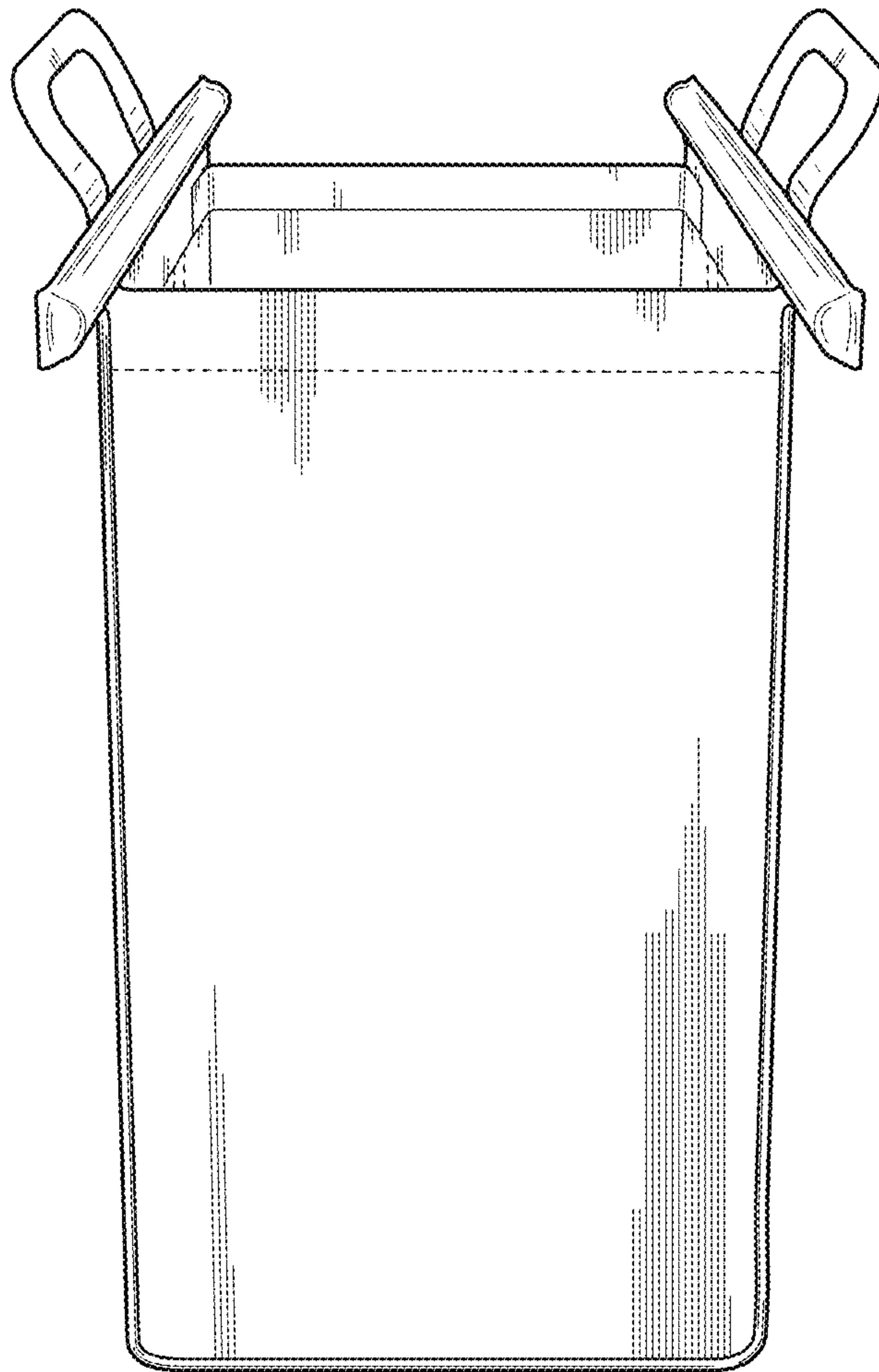


FIG. 3



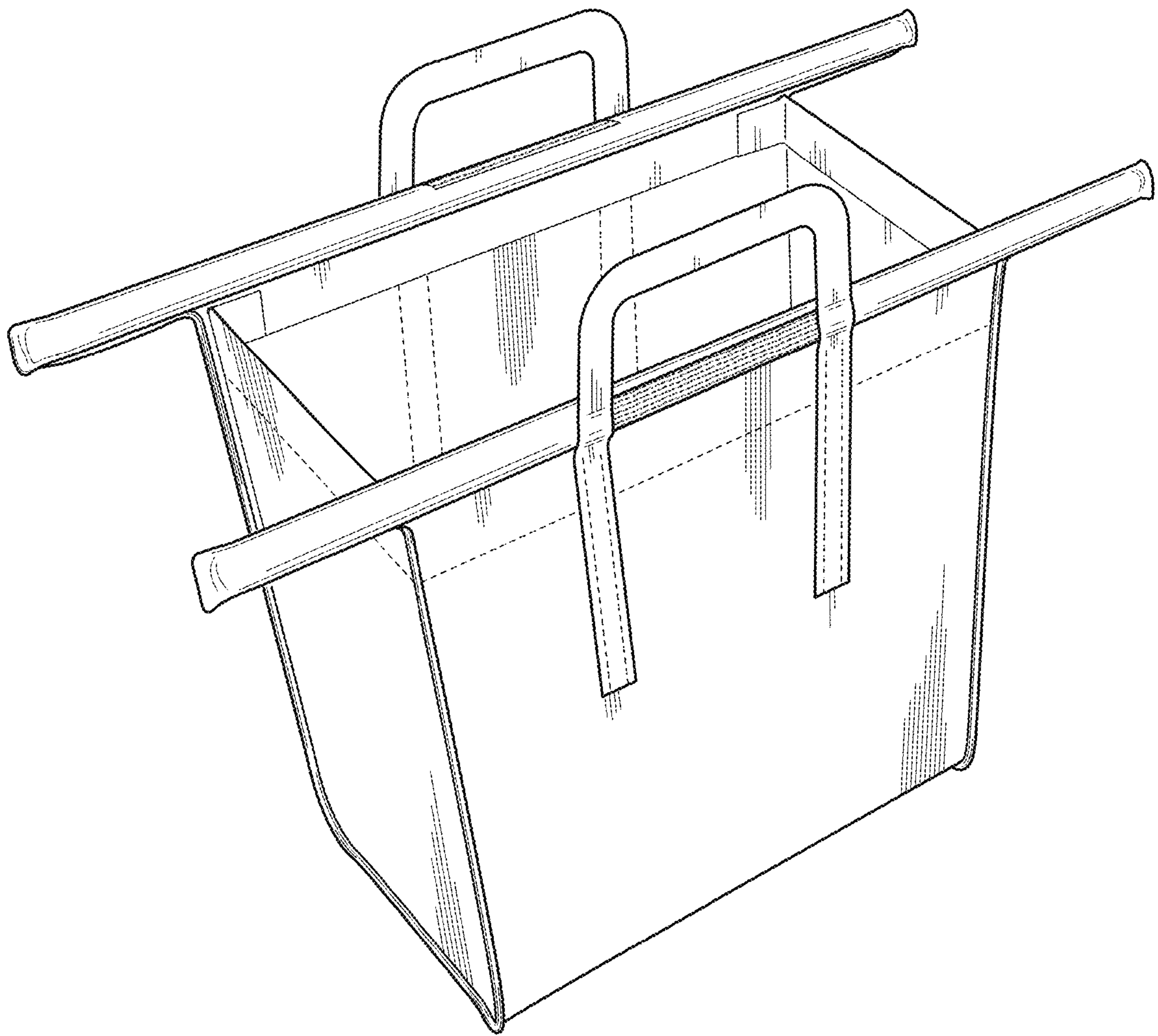


FIG. 4

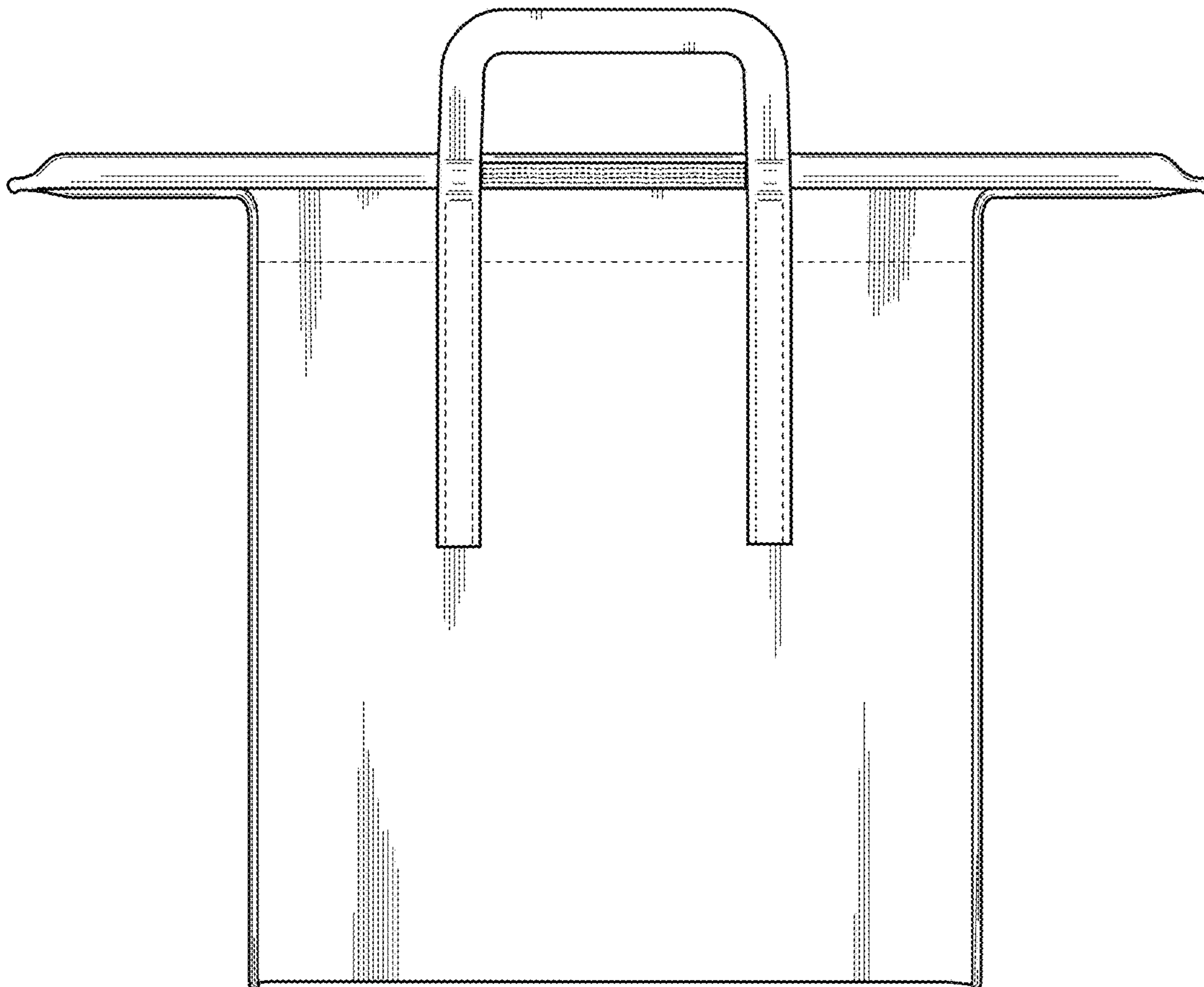


FIG. 5

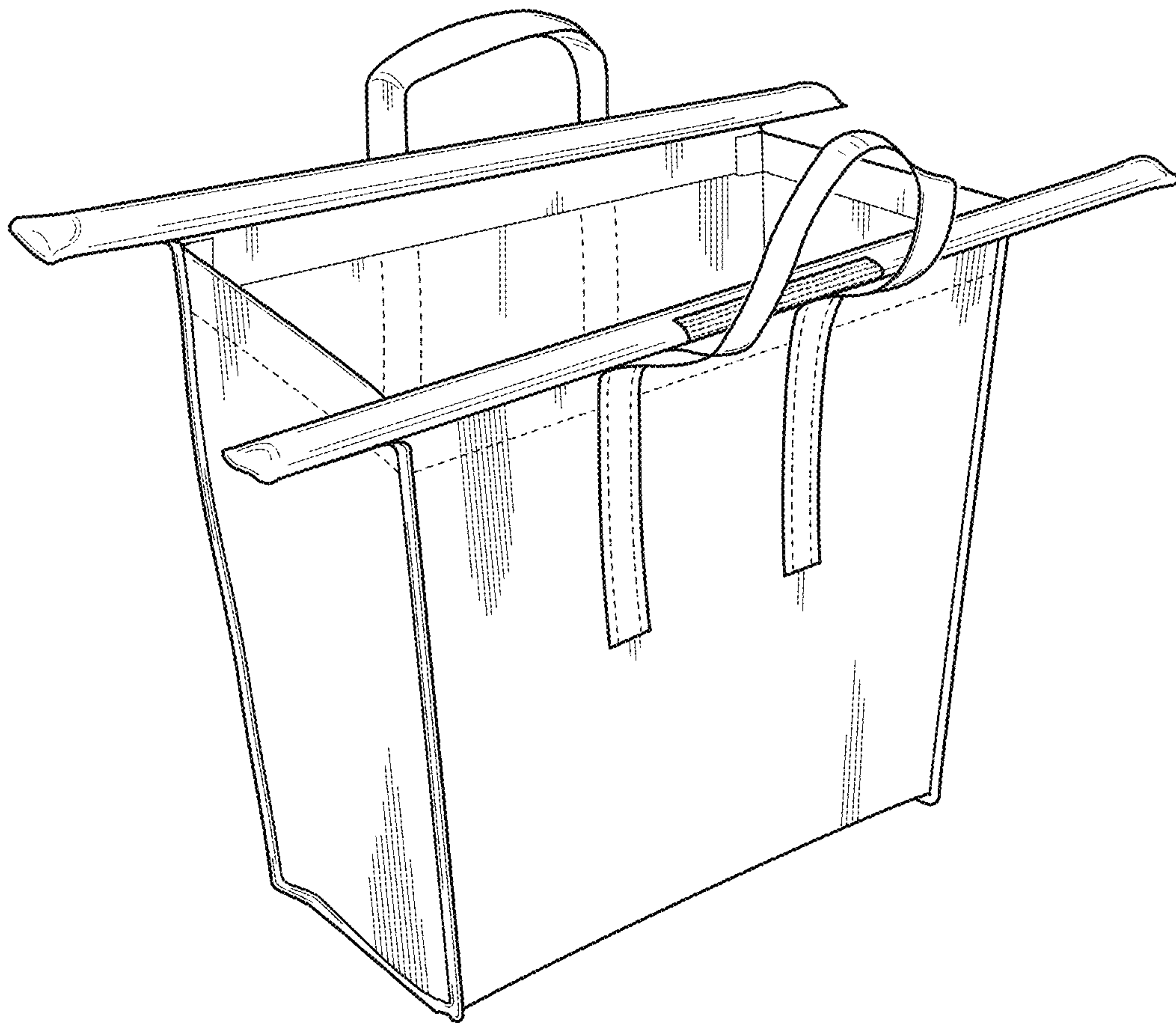


FIG. 6

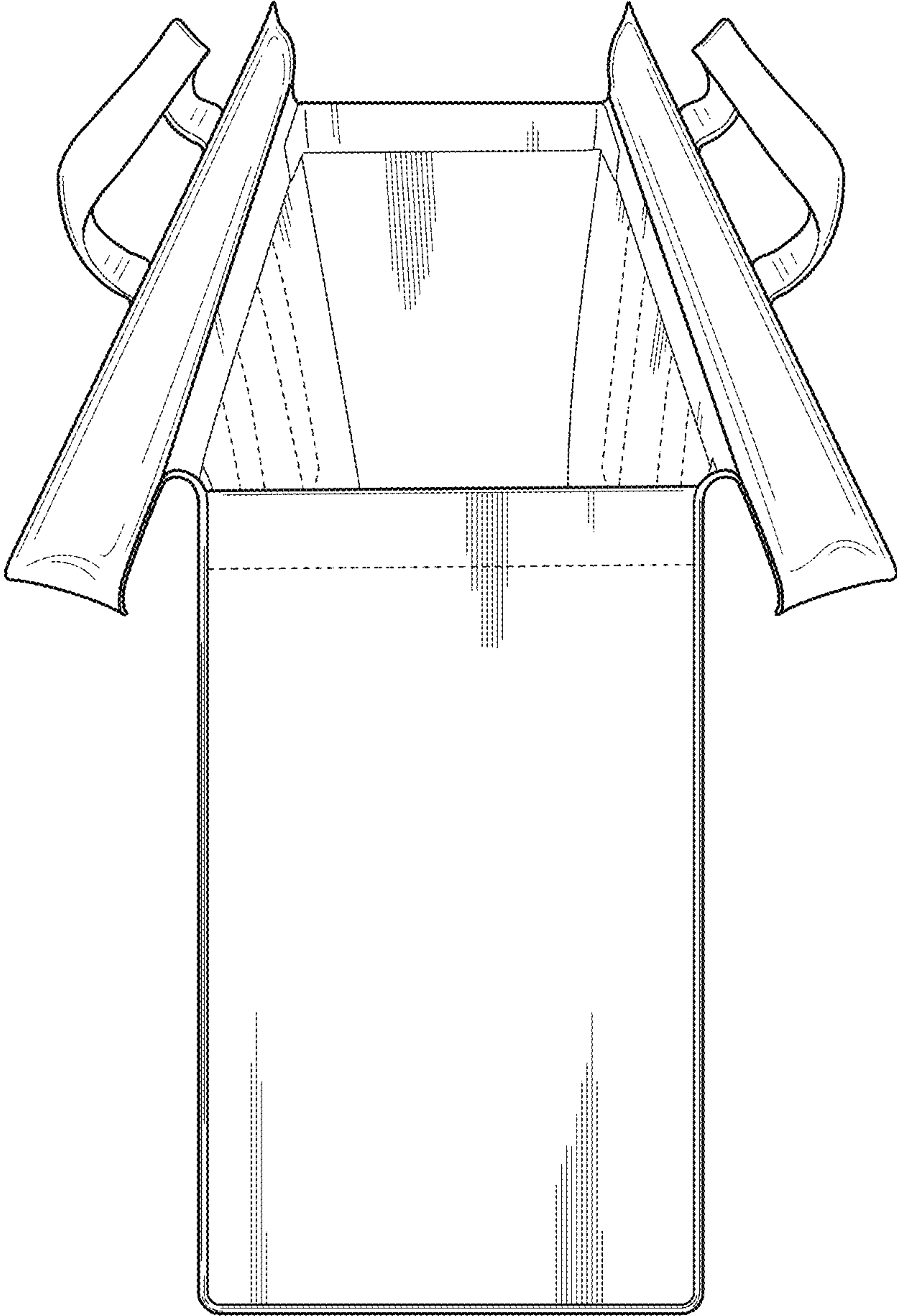


FIG. 7



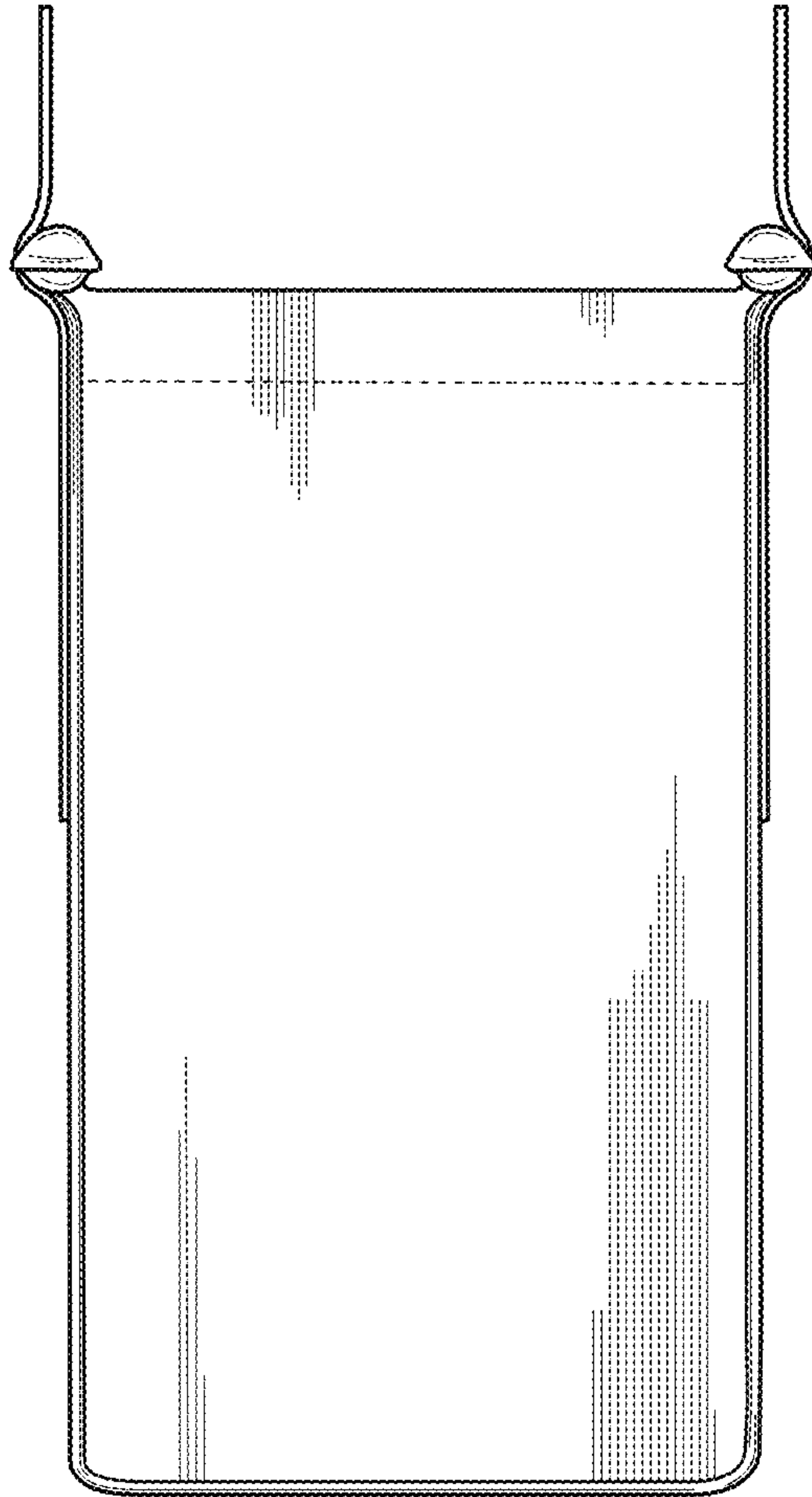


FIG. 8

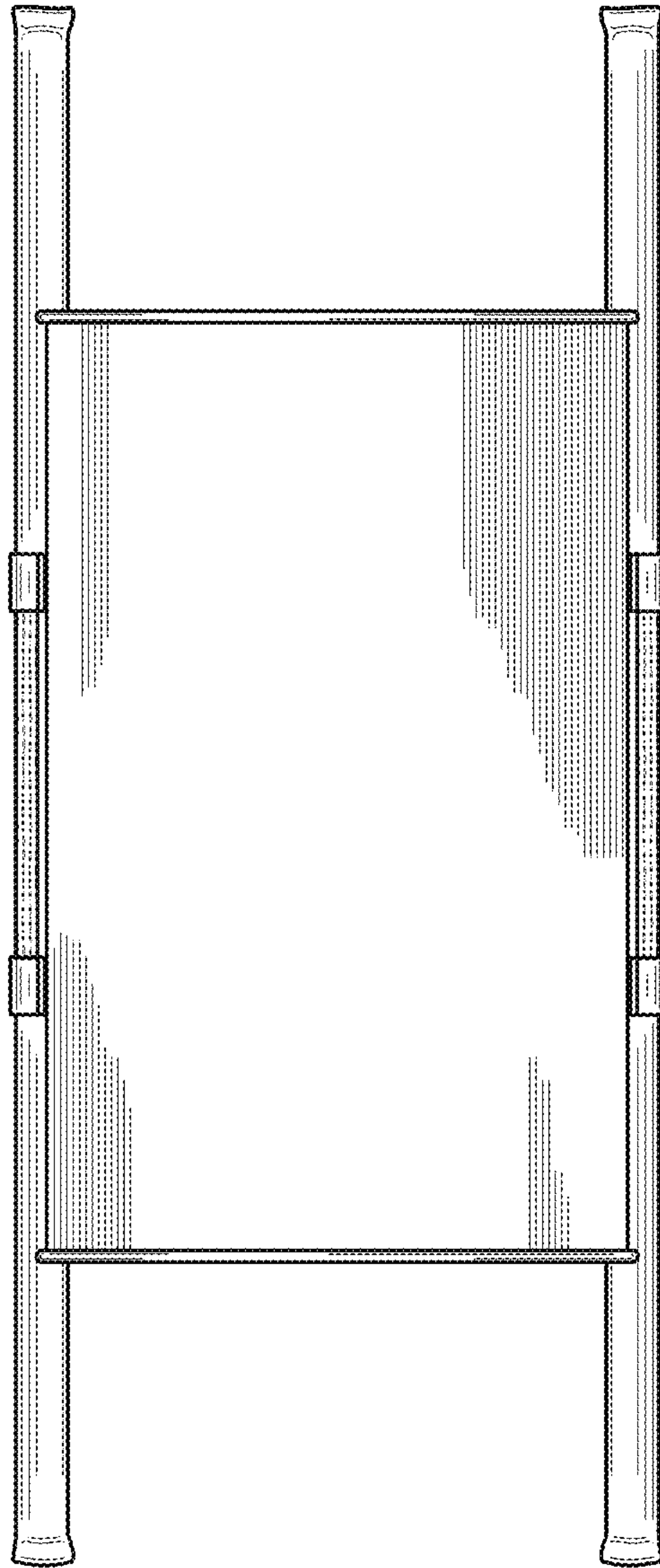


FIG. 9

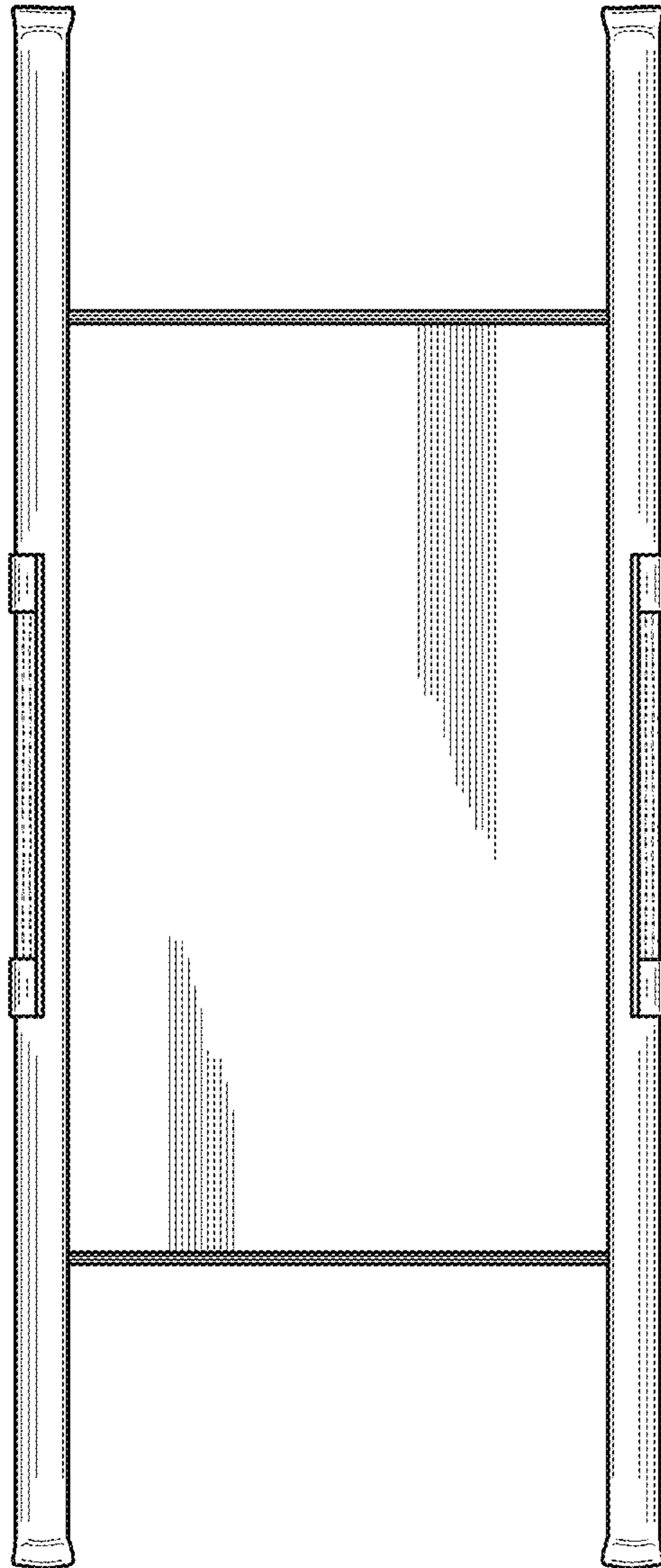


FIG. 10



US00D779828C1

(12) **EX PARTE REEXAMINATION CERTIFICATE** (11913th)  
**United States Patent**  
**Cronkshaw**

(10) **Number:** **US D779,828 C1**  
(45) **Certificate Issued:** **Sep. 7, 2021**

(54) **FOLDABLE BAG**

(71) Applicant: **TROLLEY BAGS UK LTD**, Tiverton (GB)

(72) Inventor: **Joby Cronkshaw**, Tiverton (GB)

(73) Assignee: **TROLLEY BAGS UK LTD**

**Reexamination Request:**

No. 90/019,000, Jul. 29, 2020

**Reexamination Certificate for:**

Patent No.: **Des. 779,828**

Issued: **Feb. 28, 2017**

Appl. No.: **29/546,056**

Filed: **Nov. 18, 2015**

(30) **Foreign Application Priority Data**

May 19, 2015 (EM) ..... 002703363-0001

(51) **LOC (13) Cl.** ..... **03-01**

(52) **U.S. Cl.**

USPC ..... **D3/315**

(58) **Field of Classification Search**

USPC .... D3/20, 26, 304, 305, 307-311, 315, 318, D3/319, 321, 322, 232, 233, 245, 246

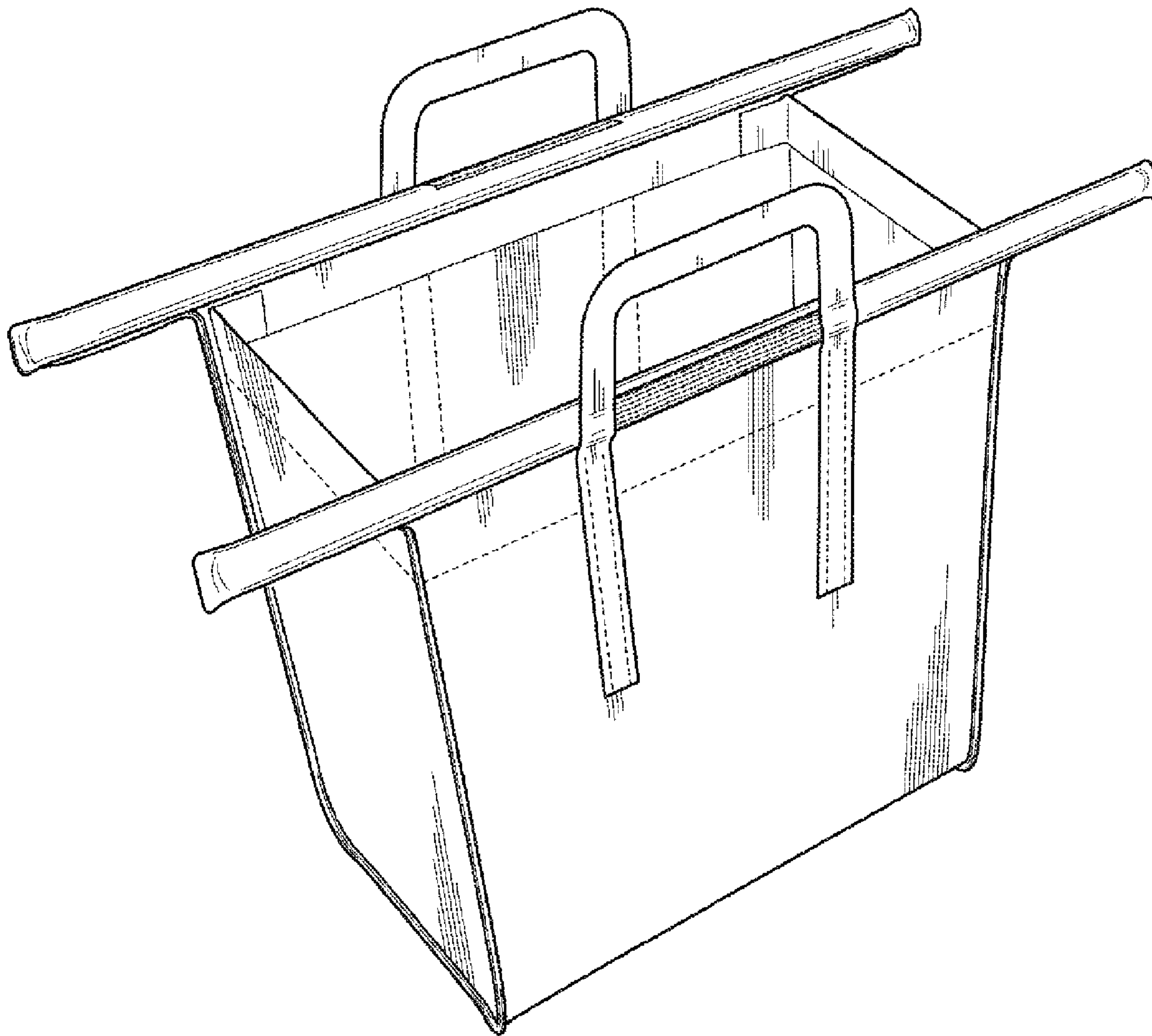
CPC ..... A45C 7/0077; A45C 3/04; A45C 7/00; A45C 13/04; A45C 13/36; A45C 7/0063; A45C 3/00; B65D 33/02; B65D 77/06; B65D 31/10

See application file for complete search history.

(56) **References Cited**

To view the complete listing of prior art documents cited during the proceeding for Reexamination Control Number 90/019,000, please refer to the USPTO's public Patent Application Information Retrieval (PAIR) system under the Display References tab.

*Primary Examiner* — Dana K Weiland



**1**  
**EX PARTE**  
**REEXAMINATION CERTIFICATE**

NO AMENDMENTS HAVE BEEN MADE TO 5  
THE PATENT

AS A RESULT OF REEXAMINATION, IT HAS BEEN  
DETERMINED THAT:

The patentability of claim 1 is confirmed. 10

\* \* \* \* \*