



US00D779824S

(12) **United States Design Patent** (10) **Patent No.:** **US D779,824 S**
Boroski (45) **Date of Patent:** **** Feb. 28, 2017**

- (54) **CARGO BAG**
- (71) Applicant: **Dwayne Boroski**, Lake in the Hills, IL (US)
- (72) Inventor: **Dwayne Boroski**, Lake in the Hills, IL (US)
- (73) Assignee: **THERMOS L.L.C.**, Schaumburg, IL (US)
- (**) Term: **14 Years**
- (21) Appl. No.: **29/523,229**
- (22) Filed: **Apr. 7, 2015**
- (51) **LOC (10) Cl.** **03-01**
- (52) **U.S. Cl.**
USPC **D3/283; D3/289; D3/902**
- (58) **Field of Classification Search**
USPC D3/273, 276, 278, 274, 281, 283, 284, D3/285, 286, 287, 288, 290, 291, 293, D3/294, 295, 299, 301, 300, 900, 902, D3/259, 904, 317; D7/601-605
CPC ... B65D 85/187; A45C 2003/008; A45C 3/12; A45C 3/00; A45C 5/00
See application file for complete search history.

- D526,484 S * 8/2006 Flint D3/283
 - D600,443 S * 9/2009 Hinds D3/262
 - D623,409 S * 9/2010 Du D3/276
 - D662,710 S * 7/2012 Fraiman D3/283
 - D738,107 S * 9/2015 Adler D3/289
- (Continued)

OTHER PUBLICATIONS

Ebay, "Driftsun Sport Bike Trunk Bag with Expandable Saddle Cargo Pockets", Accessed May 20, 2016, (<http://www.ebay.com/itm/Driftsun-Sport-Bike-Trunk-Bag-with-Expandable-Saddle-Cargo-Pockets-/262364619511>).*

(Continued)

Primary Examiner — Jennifer Rivard
Assistant Examiner — April Rivas
(74) *Attorney, Agent, or Firm* — Polsinelli PC

(57) **CLAIM**

The ornamental design for a cargo bag, as shown and described.

DESCRIPTION

FIG. 1 is a perspective view of the cargo bag;
FIG. 2 is a front view of the cargo bag;
FIG. 3 is a rear view of the cargo bag;
FIG. 4 is a right side view of the cargo bag;
FIG. 5 is a left side view of the cargo bag;
FIG. 6 is a top view of the cargo bag;
FIG. 7 is a bottom view of the cargo bag;
FIG. 8 is front perspective view of the cargo bag with the front pouch and side pouch shown in an expanded configuration; and,
FIG. 9 is a rear perspective view of the cargo bag with the rear pouch and side pouch shown in an expanded configuration.

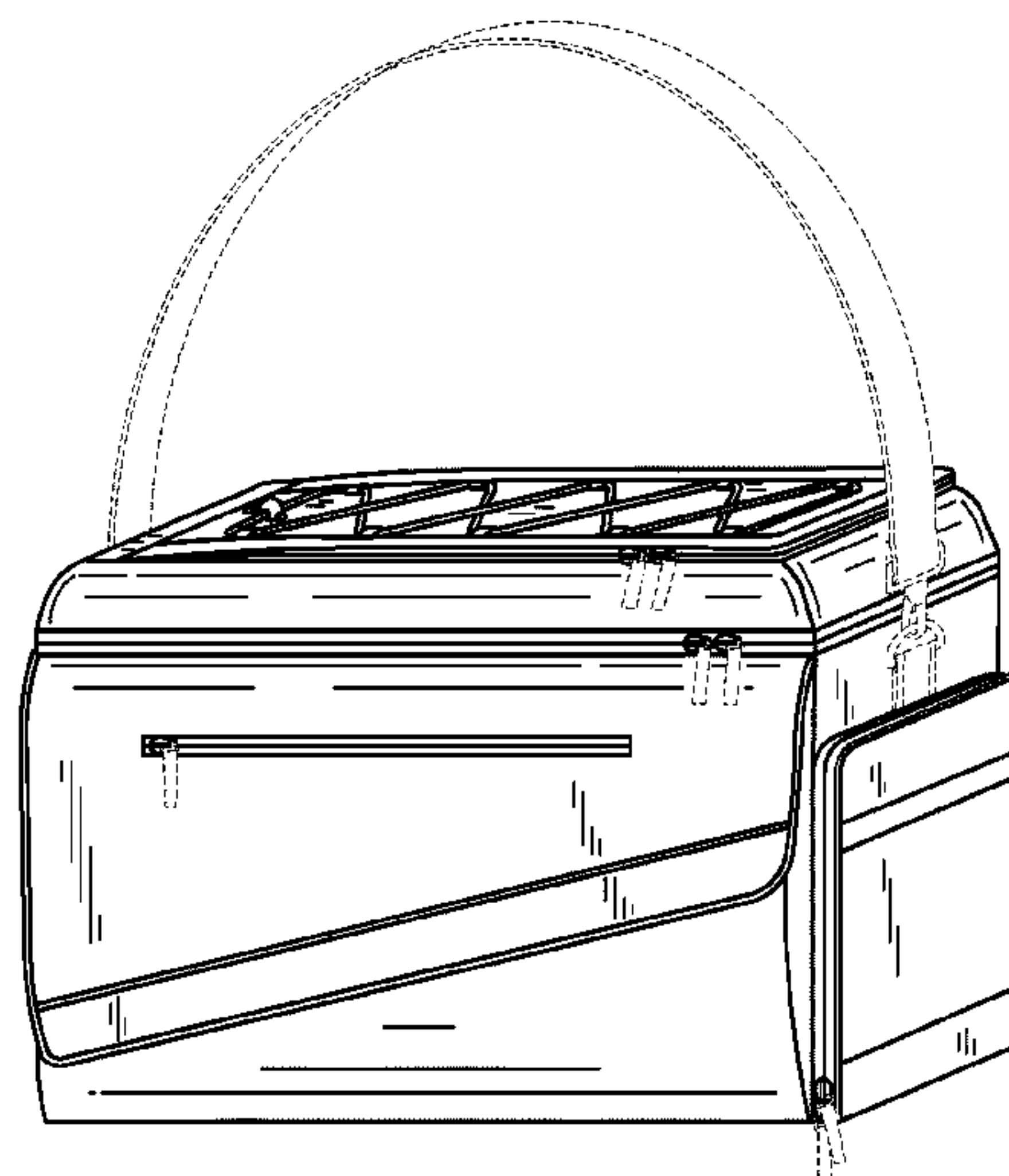
The broken lines showing in the figures are included for the purpose of illustrating portions of the cargo bag that form no part of the claimed design.

1 Claim, 7 Drawing Sheets

(56) **References Cited**

U.S. PATENT DOCUMENTS

- D325,469 S * 4/1992 Kim D12/409
- D336,878 S * 6/1993 Graf D12/409
- D346,489 S * 5/1994 Bean D12/407
- D403,926 S * 1/1999 Sutton D7/607
- D465,134 S * 11/2002 Joss D3/287
- D472,380 S * 4/2003 Hillman D3/263
- D472,431 S * 4/2003 Spence, Jr. D3/289
- D474,649 S * 5/2003 Spence, Jr. D3/283
- D476,480 S * 7/2003 Hillman D3/263
- D490,242 S * 5/2004 Hassett D3/267
- 6,942,130 B1 * 9/2005 Duva A45F 3/00
135/66
- D515,362 S * 2/2006 Chan D3/289



(56)

References Cited

U.S. PATENT DOCUMENTS

2010/0133304 A1* 6/2010 Williams A45C 13/02
224/191

OTHER PUBLICATIONS

Kmart, "M-Wave Amsterdam Expandable Trunk Bag", Accessed May 20, 2016, (<http://www.kmart.com/m-wave-amsterdam-expandable-trunk-bag/p-080V006191139000P>).*

Emaletas, "Givi XS310 Expandable cargo bag", Accessed May 20, 2016, (<http://www.emaletas.com/en/givi-xs310-expandable-cargo-bag>).*

* cited by examiner

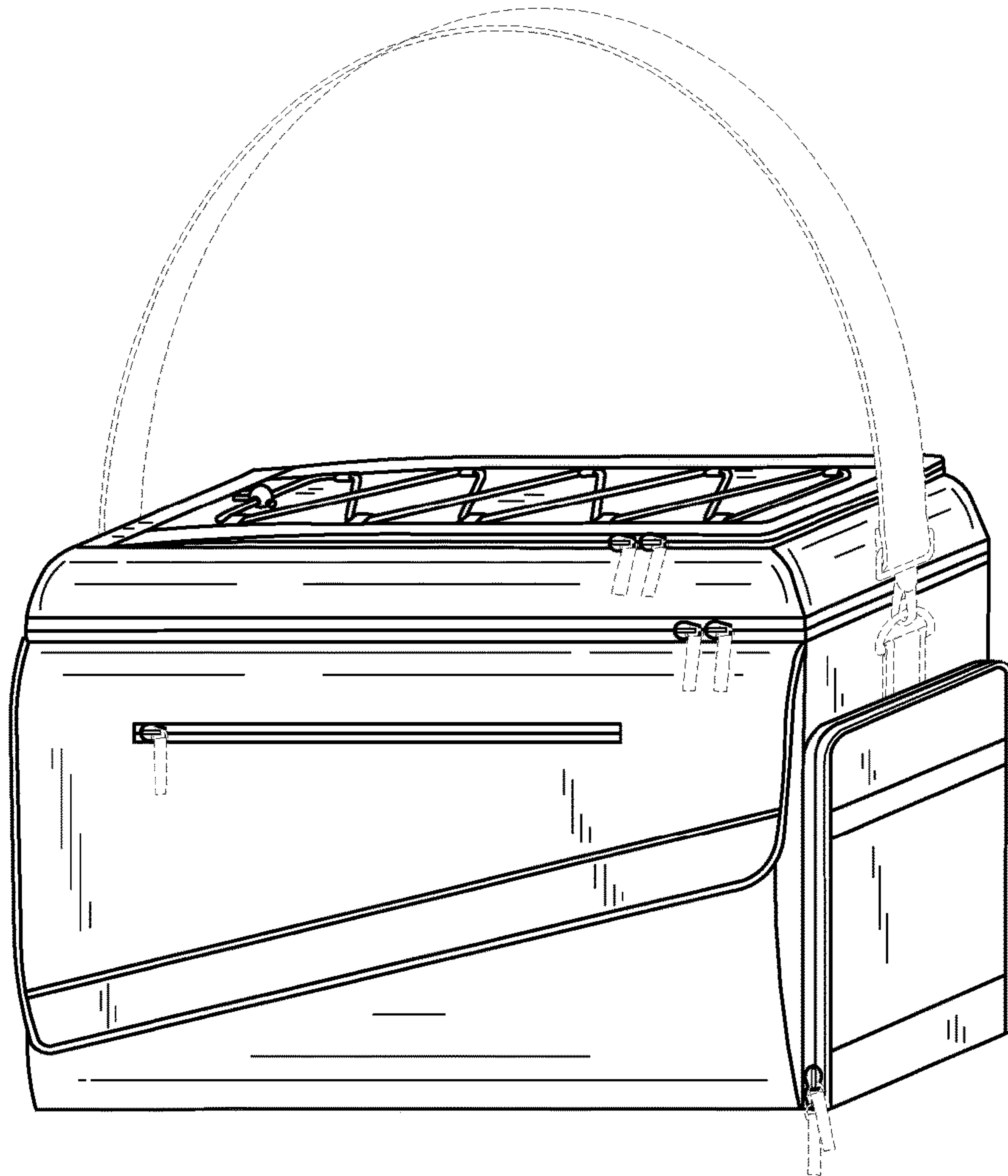


FIG. 1

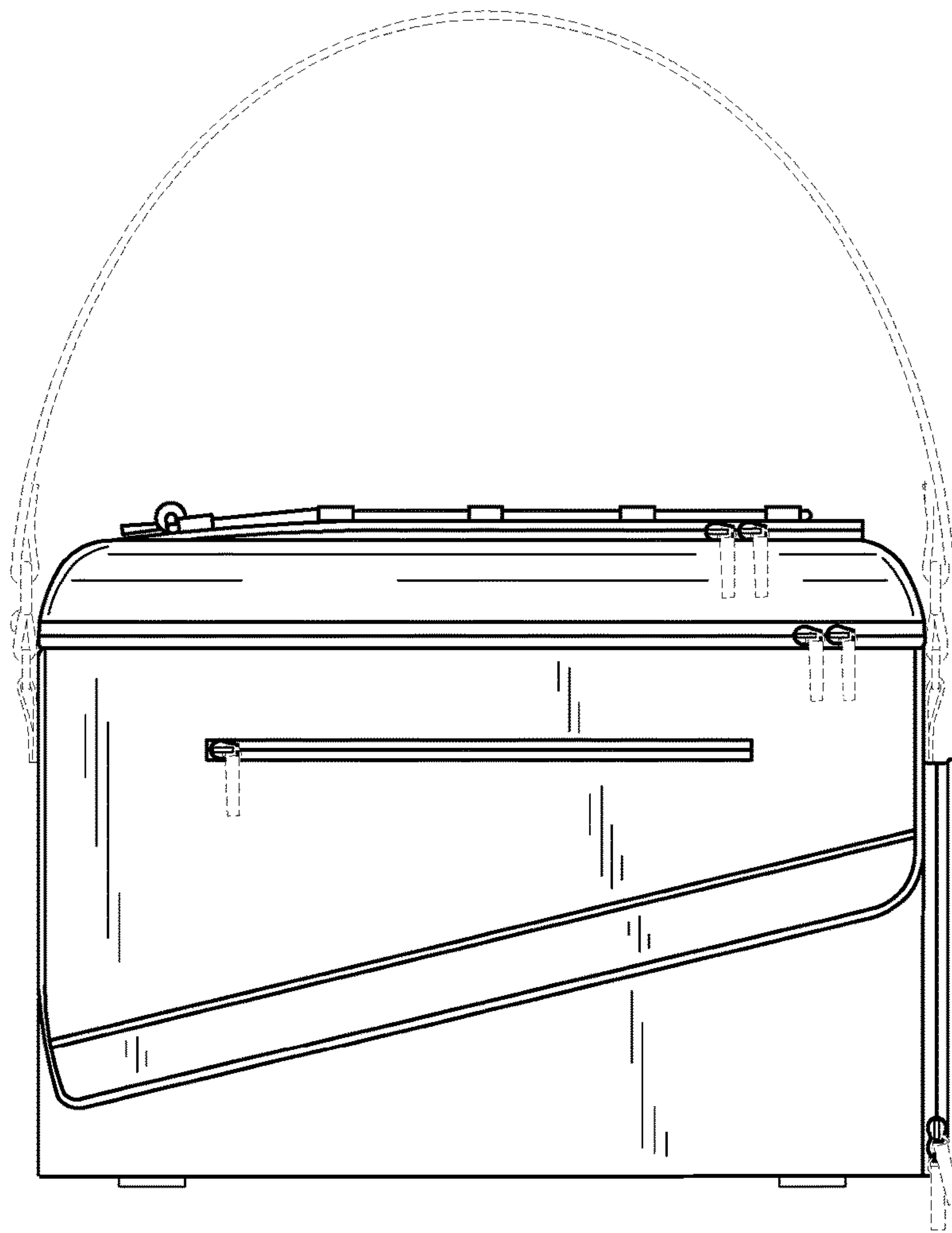


FIG. 2

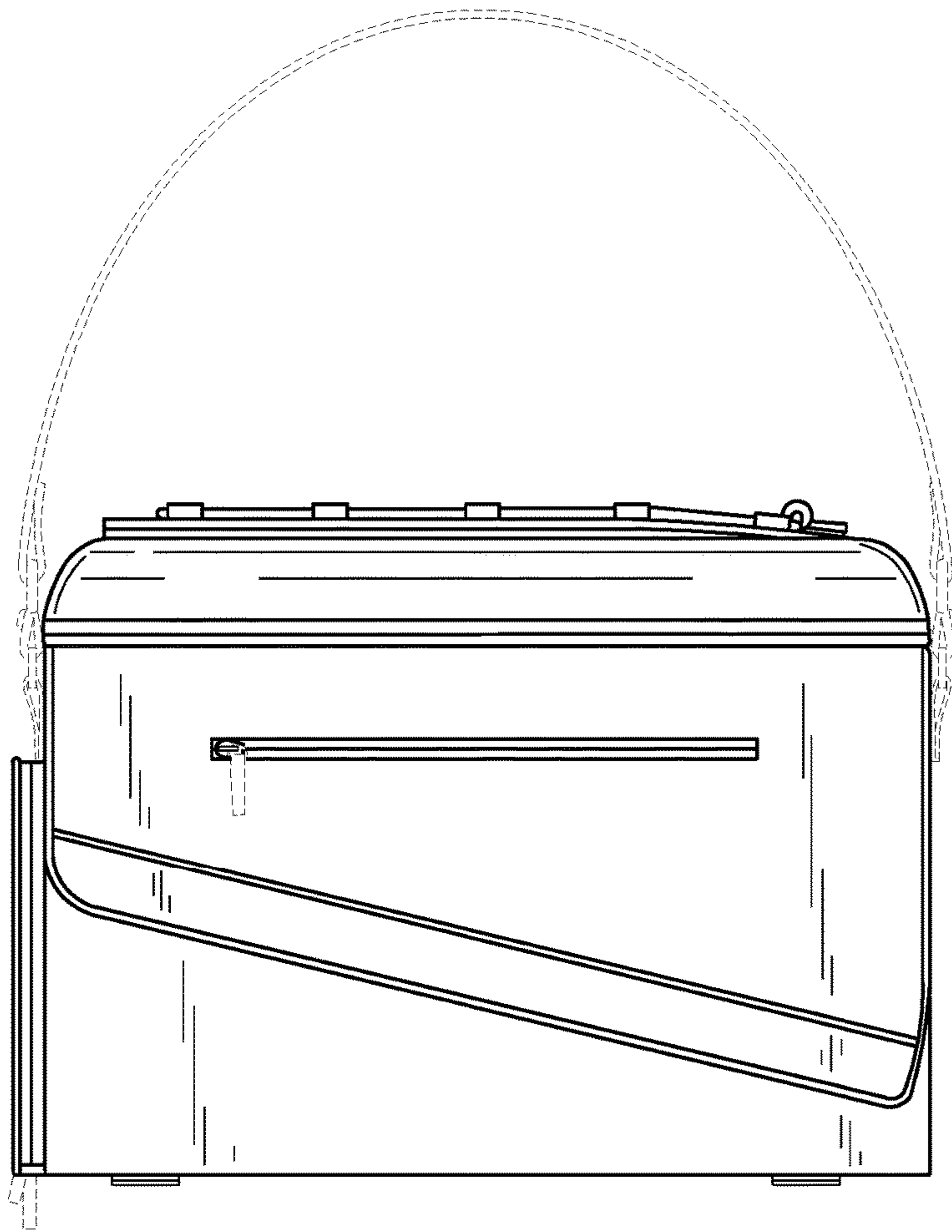


FIG. 3

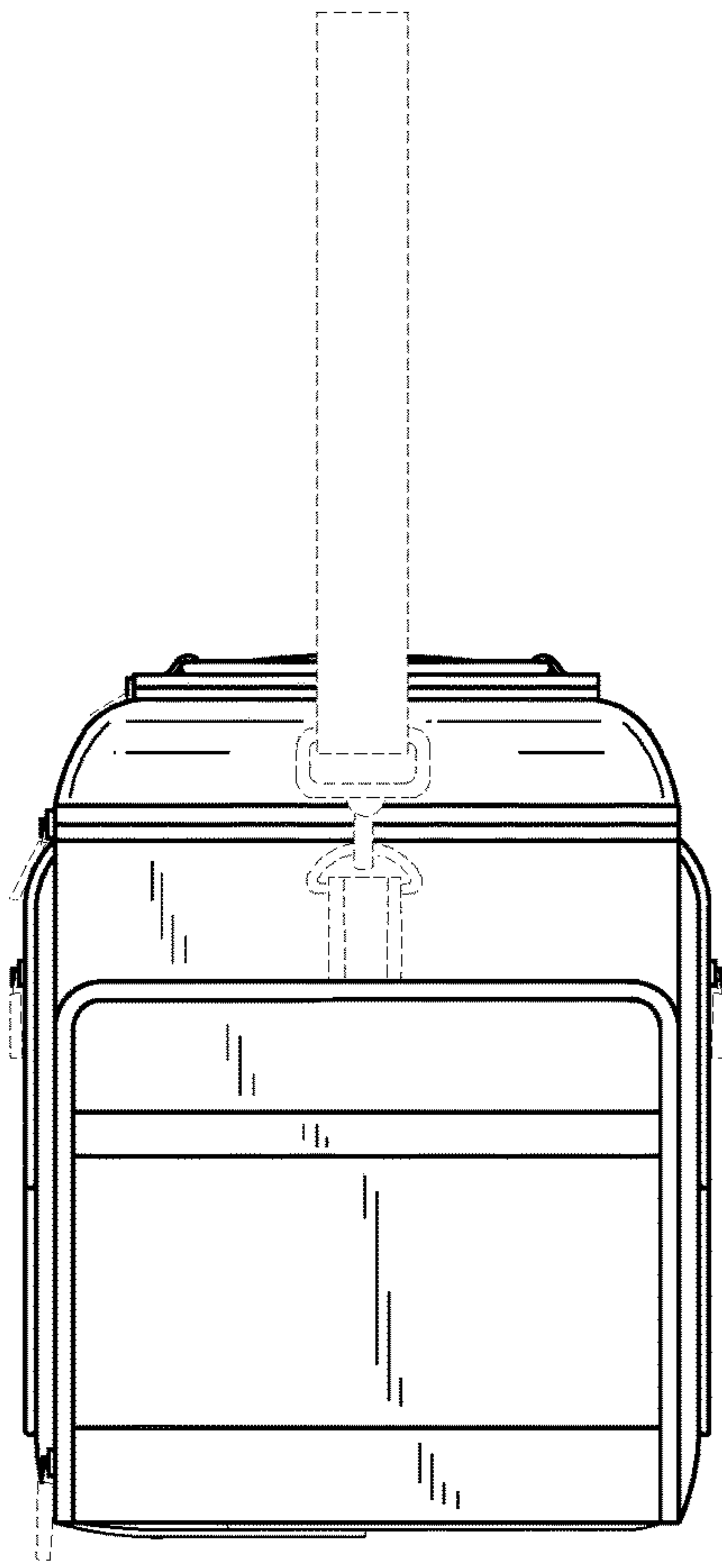


FIG. 4

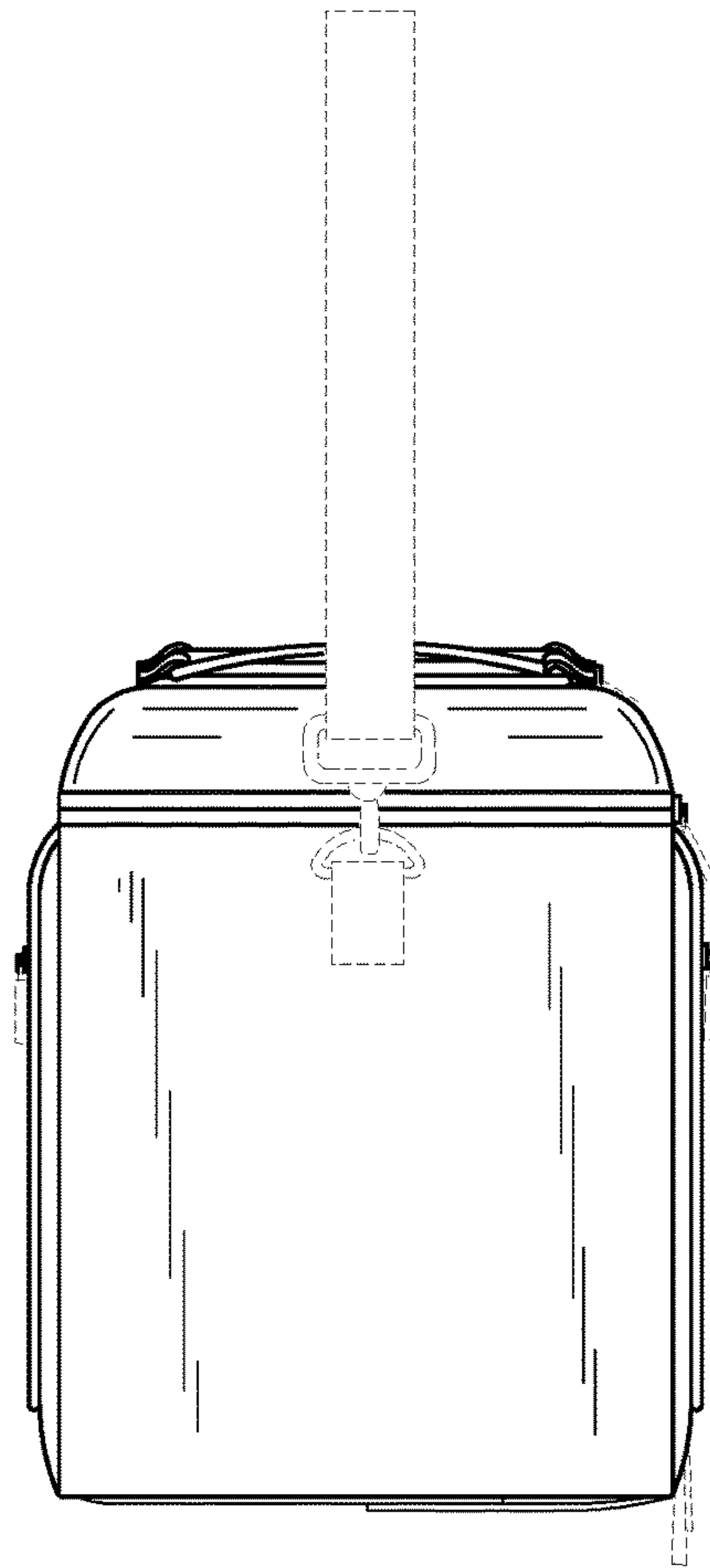


FIG. 5

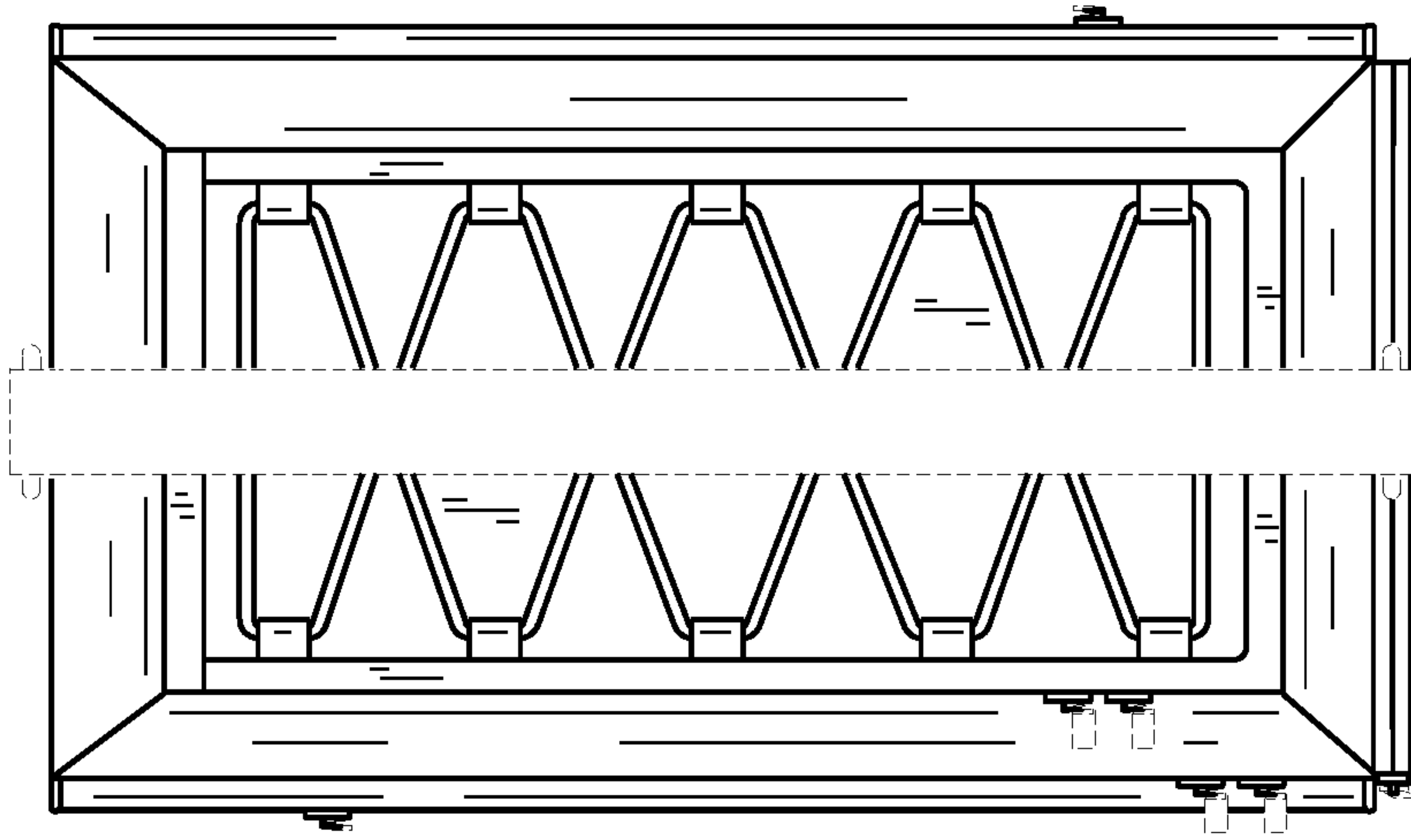


FIG. 6

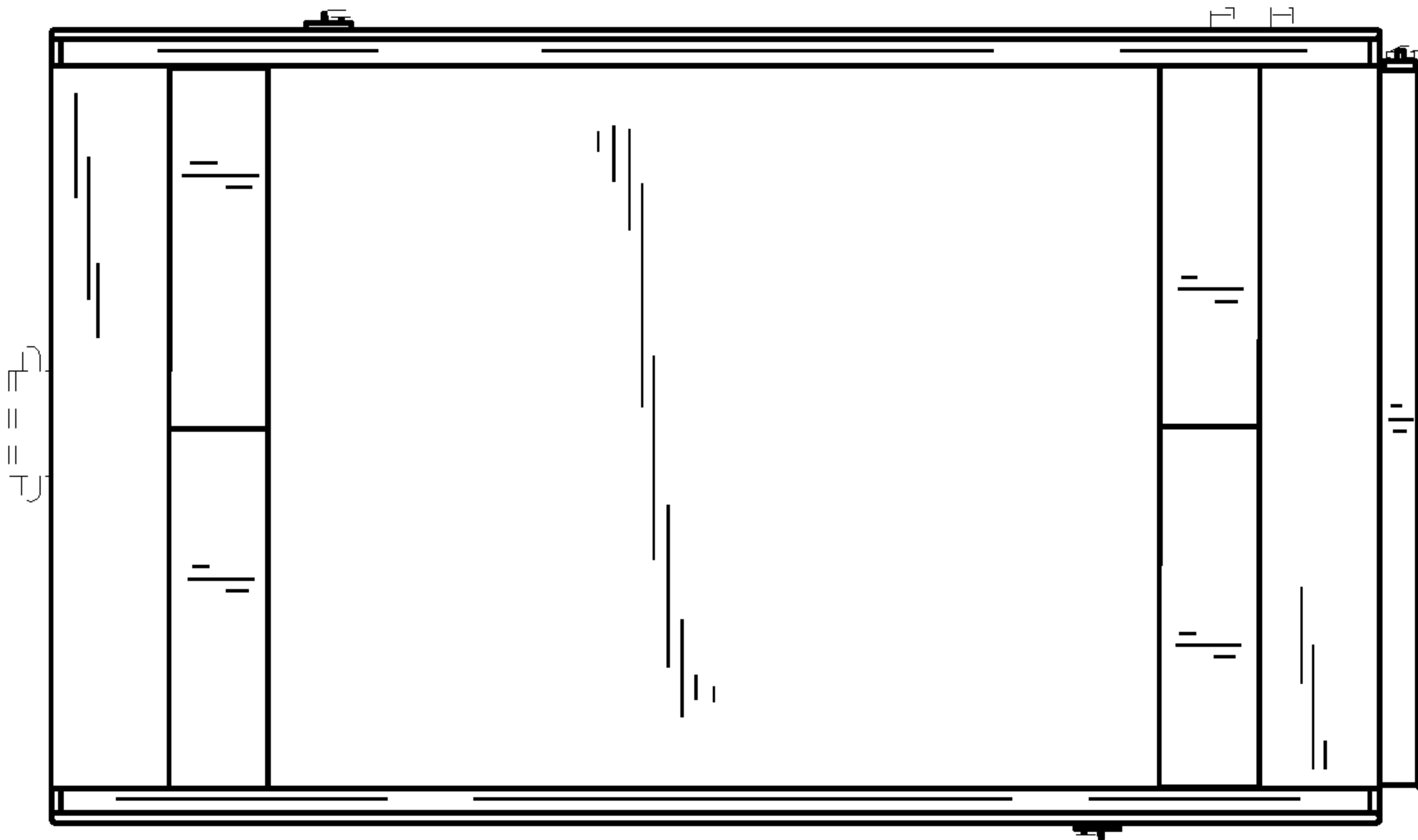


FIG. 7

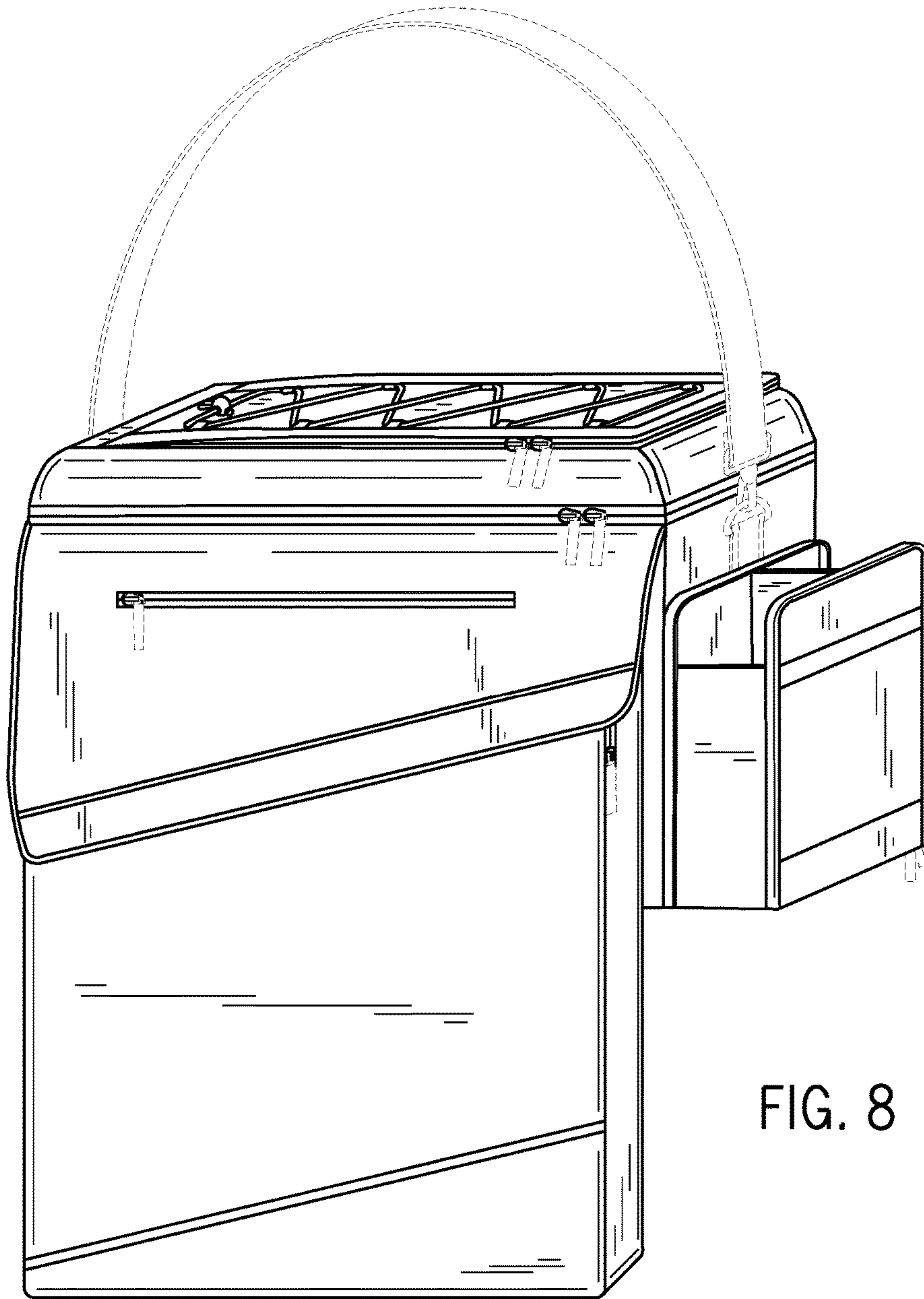


FIG. 8

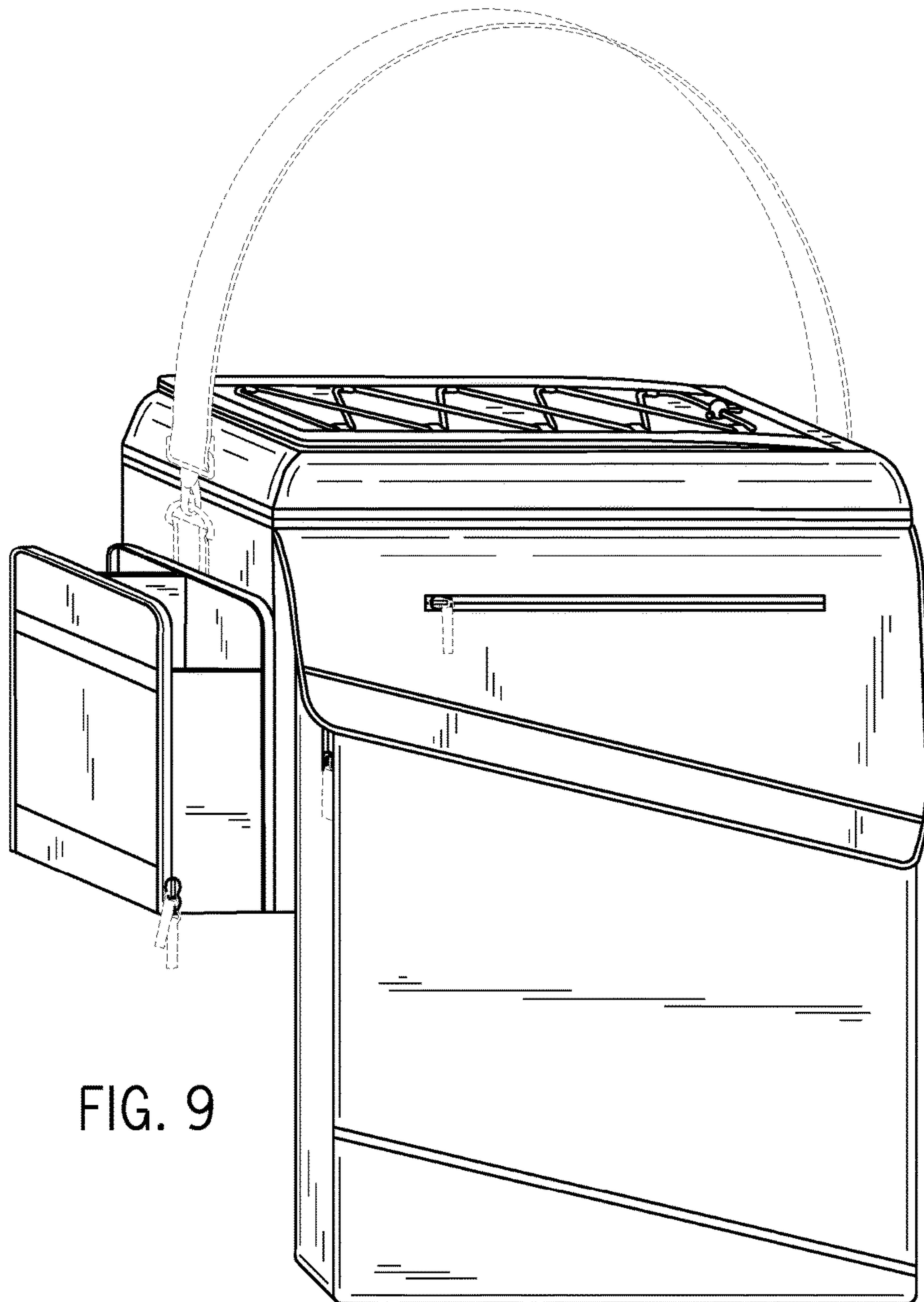


FIG. 9