



US00D779823S

(12) **United States Design Patent** (10) **Patent No.:** **US D779,823 S**  
**Barenbrug** (45) **Date of Patent:** **\*\* Feb. 28, 2017**

- (54) **SUITCASE**
- (71) Applicant: **Royalty Bugaboo GmbH**, Zug (CH)
- (72) Inventor: **Max Barenbrug**, Amsterdam (NL)
- (73) Assignee: **Royalty Bugaboo GmbH**, Zug (CH)
- (\*\*) Term: **14 Years**
- (21) Appl. No.: **29/525,873**
- (22) Filed: **May 4, 2015**

D491,359	S	*	6/2004	Oh	.....	D3/217
D603,163	S	*	11/2009	Van Himbeek	.....	D3/279
D644,436	S	*	9/2011	Buller	.....	D3/279
D675,017	S	*	1/2013	Van Overbeke	.....	D3/273
D690,510	S	*	10/2013	Fux	.....	D3/270
D730,050	S	*	5/2015	Hogan	.....	D3/279
D743,168	S	*	11/2015	Niu	.....	D3/279
2012/0013104	A1	*	1/2012	Geva	.....	B62B 3/027 280/651
2013/0292220	A1	*	11/2013	Kerley	.....	A45C 5/03 190/108
2014/0131964	A1	*	5/2014	Farrelly	.....	A45C 5/14 280/79.2

(Continued)

**Related U.S. Application Data**

- (62) Division of application No. 29/481,658, filed on Feb. 7, 2014, now abandoned.
- (51) **LOC (10) Cl.** ..... **03-01**
- (52) **U.S. Cl.**  
USPC ..... **D3/281; D3/283; D3/289; D3/279**
- (58) **Field of Classification Search**  
USPC ..... **D3/272, 273, 276, 279, 281, 282, 284, D3/285, 283, 289, 291, 294, 295, 301, D3/231**  
CPC ..... **A45C 2003/008; A45C 5/00; A45C 5/03; A45C 5/06; A45C 5/14; A45C 2005/032; A45C 2005/035; A45C 2005/037; A45C 13/1084; A45C 13/385**  
See application file for complete search history.

**References Cited**

**U.S. PATENT DOCUMENTS**

D422,409	S	*	4/2000	Klenner	.....	D3/276
D425,301	S	*	5/2000	Sagol	.....	D3/276
D428,698	S	*	8/2000	Cheng	.....	D3/276
D438,005	S	*	2/2001	Tiramani	.....	D3/273
D462,169	S	*	9/2002	Giovanni	.....	D3/279
D468,528	S	*	1/2003	Tornell	.....	D3/255
D479,651	S	*	9/2003	Shen	.....	D3/279

**OTHER PUBLICATIONS**

Psfk blog, "Modular Luggage Design Makes Travel a Breeze", Posted Sep. 7, 2016, Accessed Oct. 6, 2016. (<http://www.psfk.com/2016/09/modular-luggage-design-makes-travel-a-breeze.html>).\*

*Primary Examiner* — Jennifer Rivard  
*Assistant Examiner* — April Rivas

(74) *Attorney, Agent, or Firm* — Charles T. J. Weigell;  
Fross Zelnick Lehrman & Zissu, P.C.

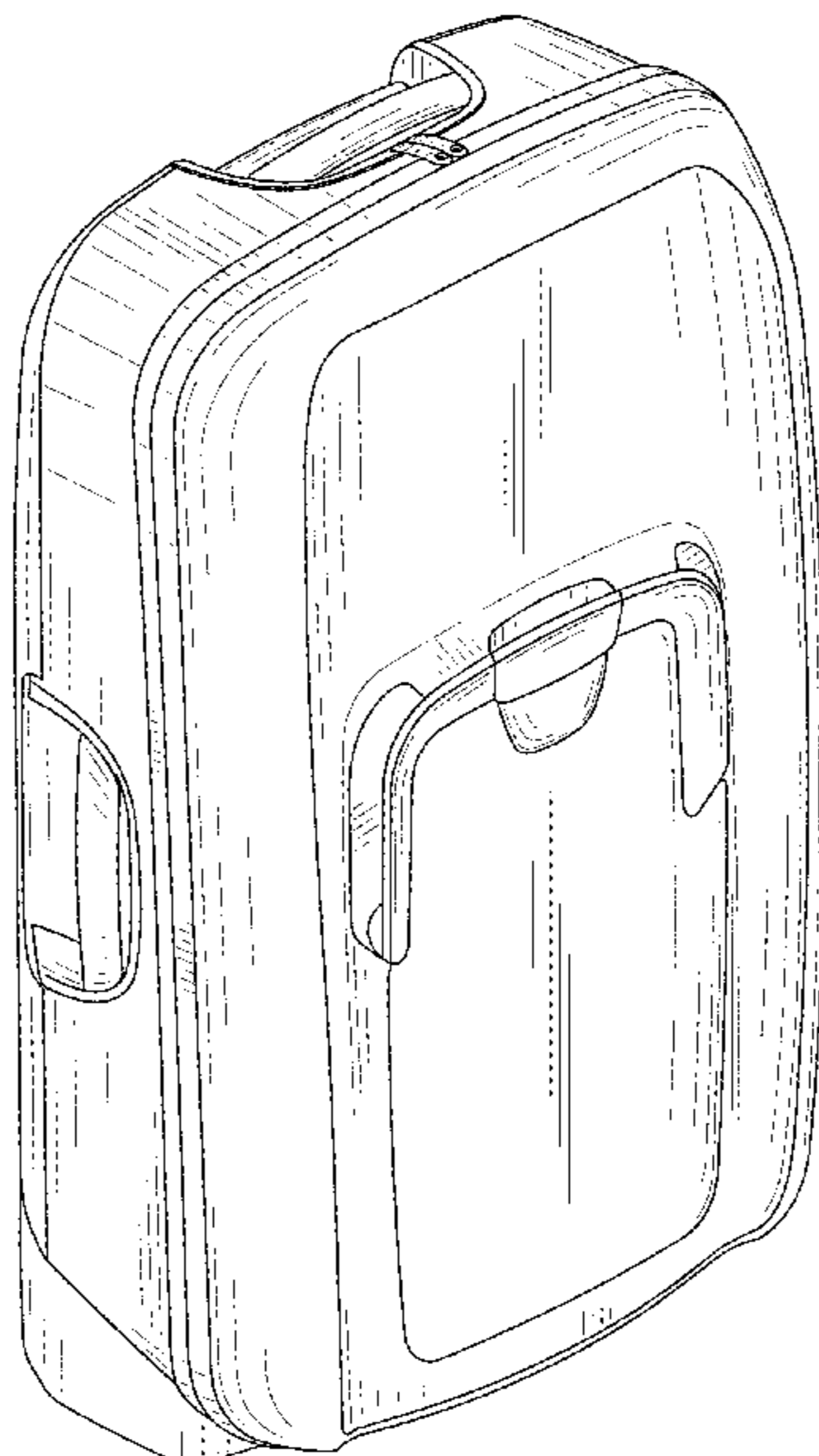
(57) **CLAIM**

The ornamental design for a suitcase, as shown and described.

**DESCRIPTION**

FIG. 1 is a front left perspective view;  
FIG. 2 is a front view of the suitcase shown in FIG. 1;  
FIG. 3 is a rear view of the suitcase shown in FIG. 1;  
FIG. 4 is a right side view of the suitcase shown in FIG. 1;  
and,  
FIG. 5 is a top view of the suitcase shown in FIG. 1.  
The broken line showing portions of the back of the suitcase forms no part of the claimed design.

**1 Claim, 5 Drawing Sheets**



(56)

**References Cited**

U.S. PATENT DOCUMENTS

2014/0283335 A1\* 9/2014 Meersschaert ..... A45C 5/14  
16/46  
2014/0353104 A1\* 12/2014 Sheikh ..... A45C 5/06  
190/119

\* cited by examiner

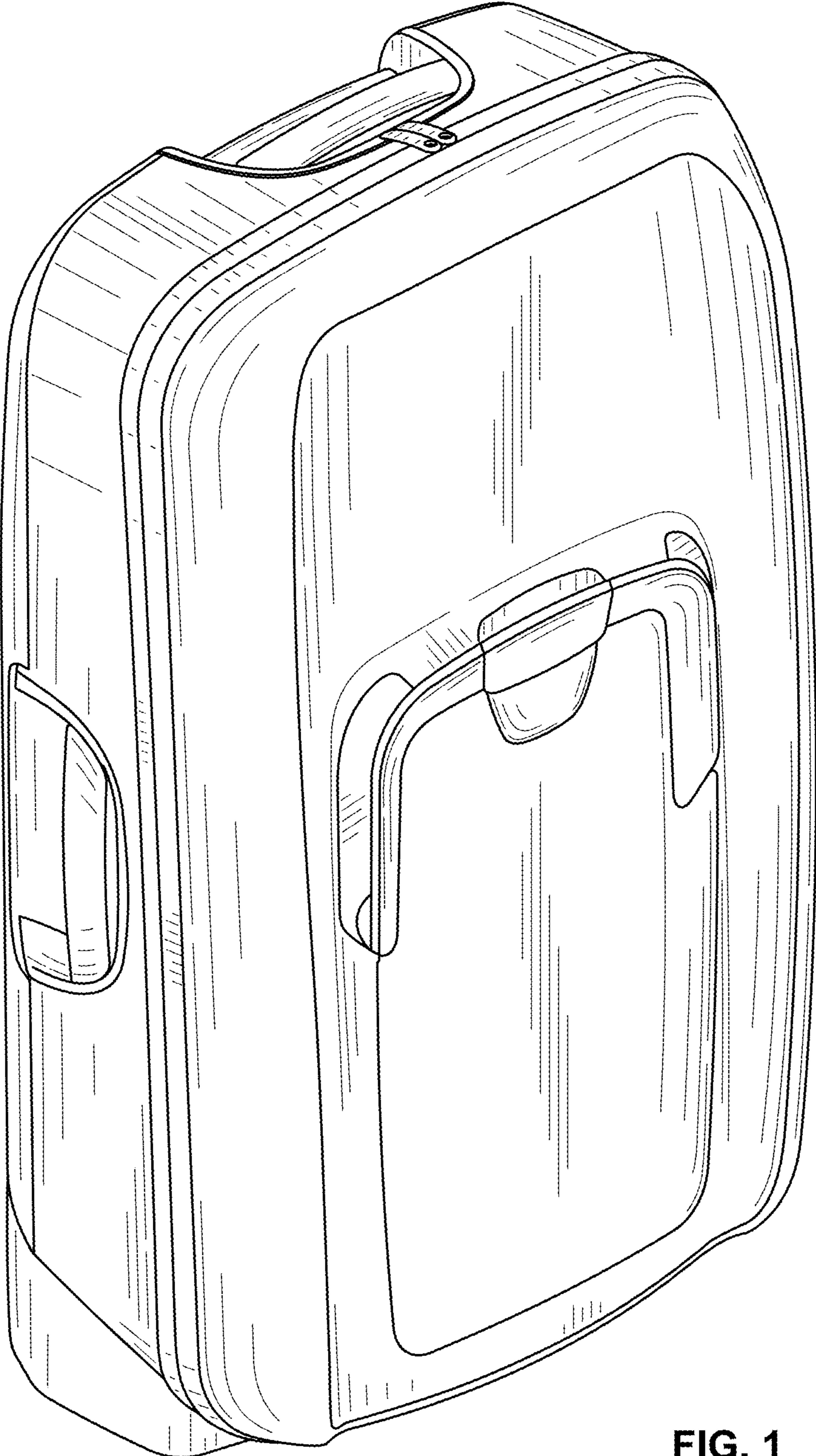


FIG. 1

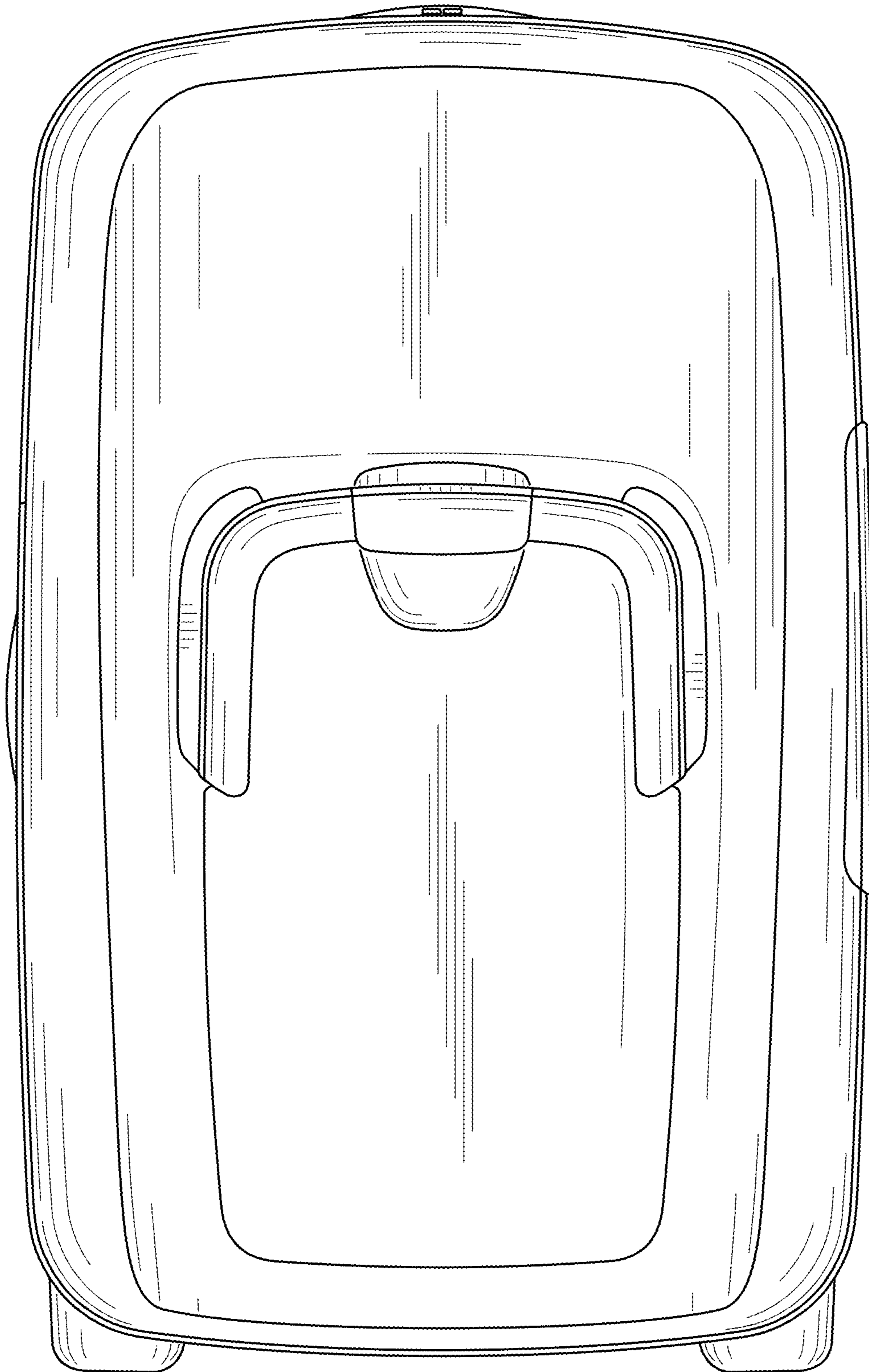


FIG. 2

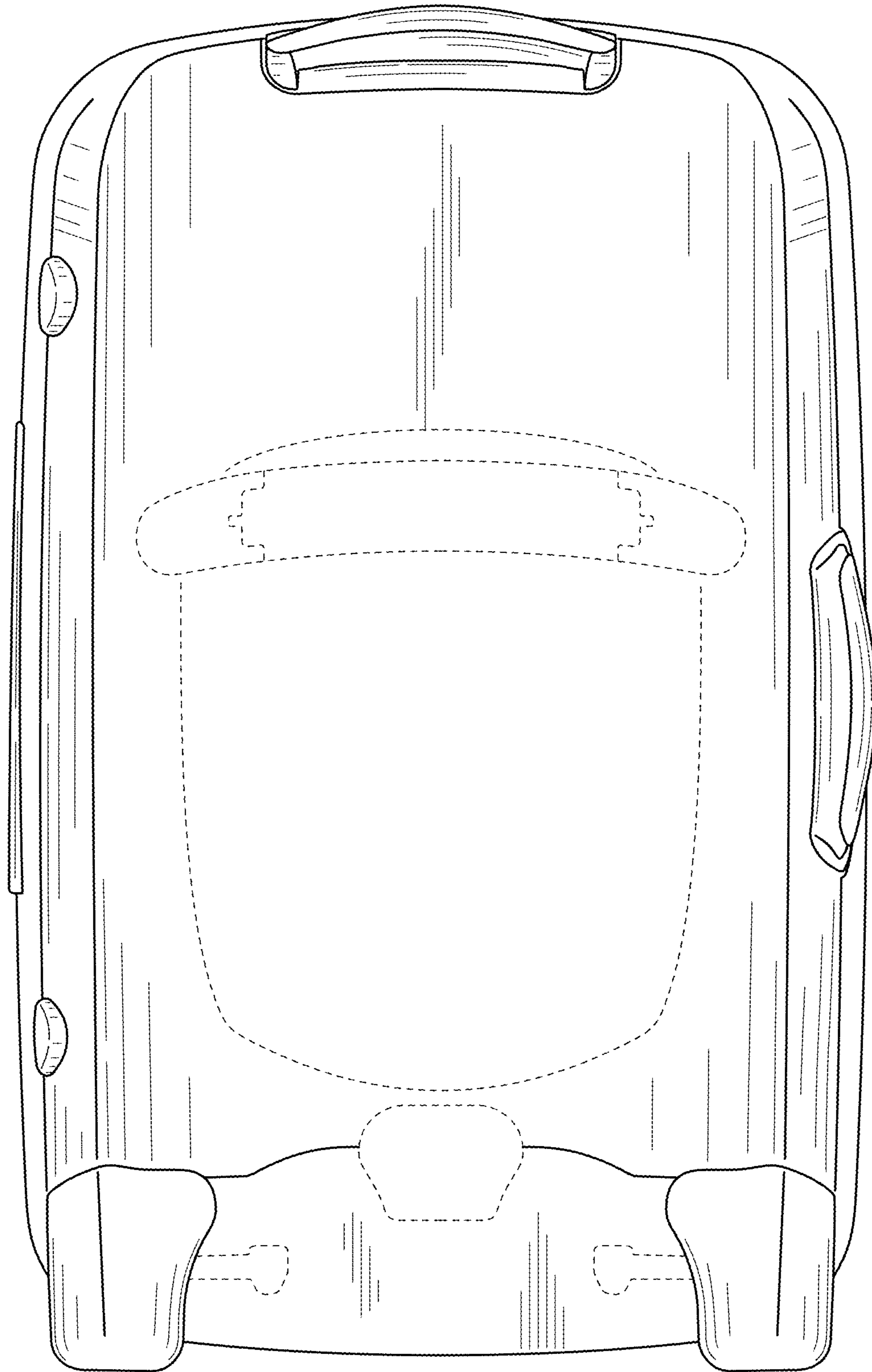


FIG. 3



FIG. 4

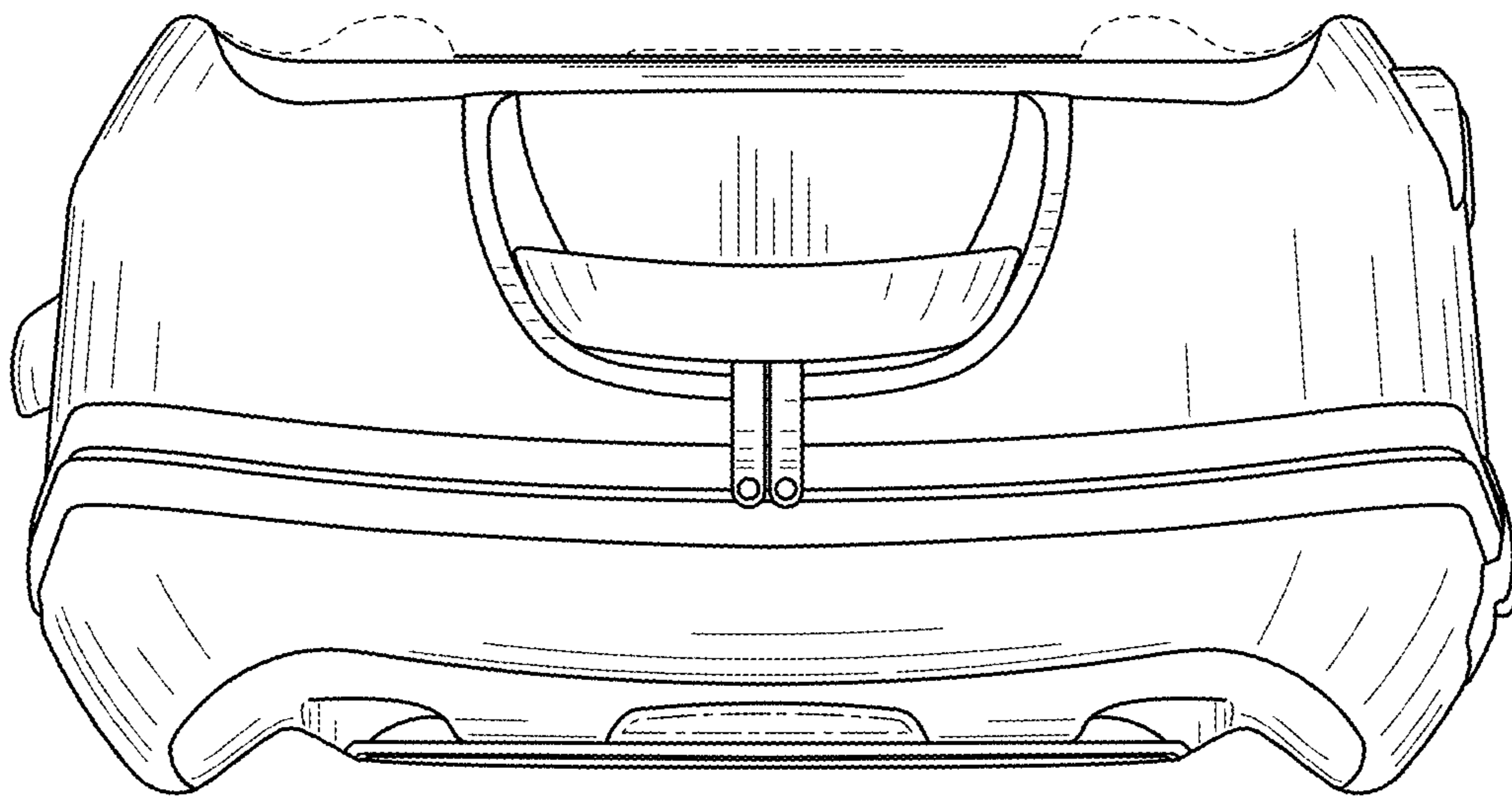


FIG. 5