



US00D779822S

(12) **United States Design Patent** (10) **Patent No.:** **US D779,822 S**
Grenier et al. (45) **Date of Patent:** **** Feb. 28, 2017**

(54) **CASE**
(71) Applicants: **Jean-Pierre Grenier**, Blainville (CA);
Benjamin Coley, Repentigny (CA)
(72) Inventors: **Jean-Pierre Grenier**, Blainville (CA);
Benjamin Coley, Repentigny (CA)
(73) Assignee: **Plasticase, Inc.**, Terrebonne, QC (CA)
(**) Term: **15 Years**

D471,711 S 3/2003 Addison
D472,384 S 4/2003 Richardson
D482,529 S * 11/2003 Hardigg D3/276
D483,178 S * 12/2003 Fiore, Jr. D3/254
D506,062 S * 6/2005 Whalen D3/262
6,953,126 B2 10/2005 Parker et al.
D513,451 S 1/2006 Richardson et al.
D514,808 S 2/2006 Morine et al.
D516,309 S 3/2006 Richardson et al.
D516,807 S 3/2006 Richardson et al.
(Continued)

(21) Appl. No.: **29/538,422**
(22) Filed: **Sep. 3, 2015**
(51) **LOC (10) Cl.** **03-01**
(52) **U.S. Cl.**
USPC **D3/279**; D3/905
(58) **Field of Classification Search**
USPC D3/905, 276, 279-284, 291, 294, 295,
D3/298, 901, 302, 272, 273, 274, 903,
D3/262
CPC .. B25H 3/02-3/028; B25H 3/00; B25H 3/003;
B25H 3/006; F41C 33/06
See application file for complete search history.

OTHER PUBLICATIONS

Amazon, "Nanuk 995 XL Rifle Protective Case, 55.1 x 17.3 x 6.6in, w/ No Foam, Black", Accessed Dec. 6, 2016. First on sale on Amazon Nov. 27, 2014. (<https://www.amazon.com/Nanuk-Rifle-Protective-6-6in-Black/dp/B00Q8UP6J6>).*

Primary Examiner — Jennifer Rivard
Assistant Examiner — April Rivas
(74) *Attorney, Agent, or Firm* — GrayRobinson, P.A.;
Thomas L. Kautz

(57) **CLAIM**

The ornamental design for a case, as shown and described.

(56) **References Cited**

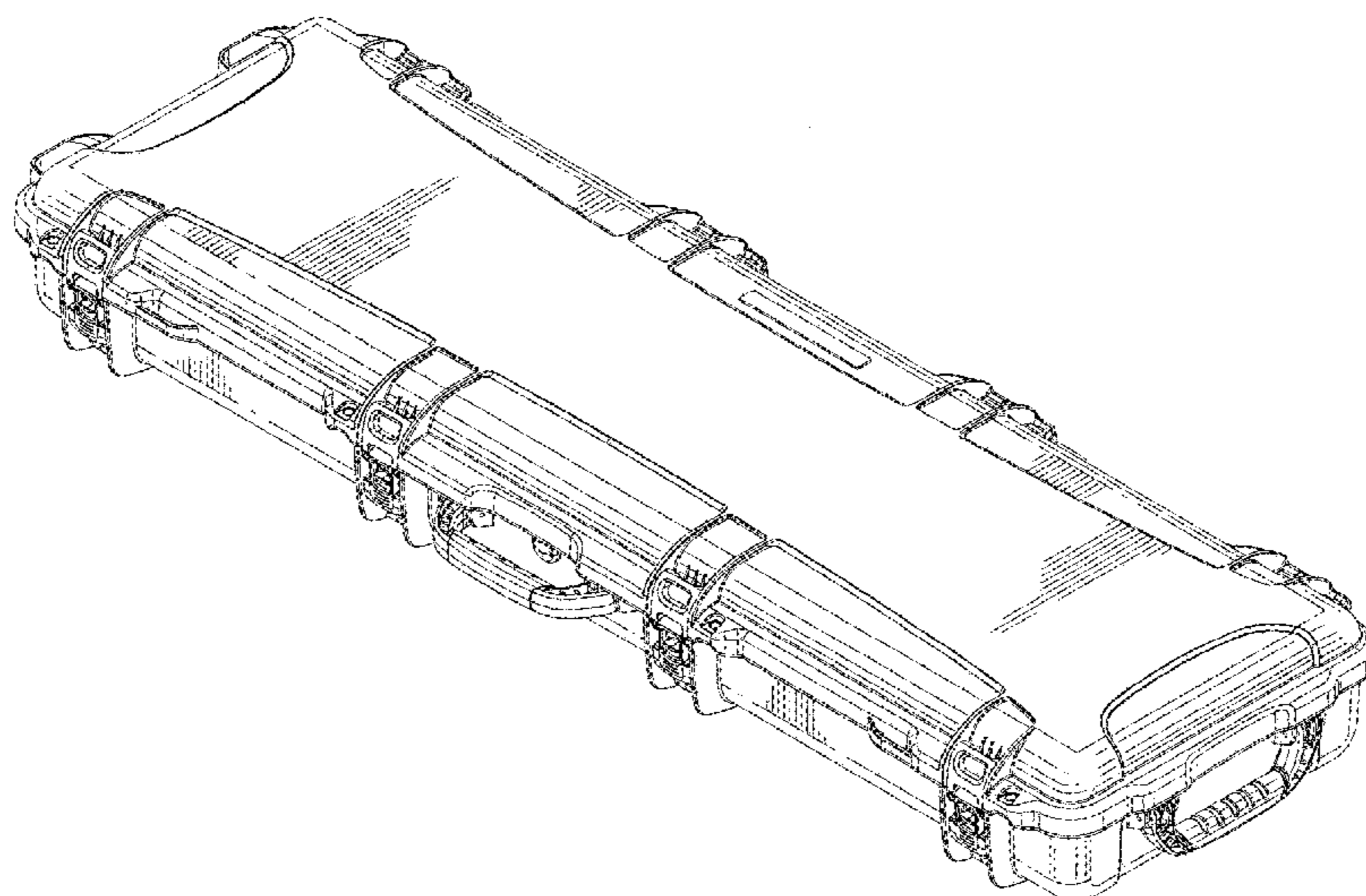
U.S. PATENT DOCUMENTS

D336,984 S * 7/1993 VanSkiver D3/262
D353,048 S 12/1994 VanSkiver et al.
D360,757 S 8/1995 Snetting et al.
D367,211 S 2/1996 Cautereels
D419,768 S 2/2000 Richardson et al.
6,098,608 A 8/2000 Oshlick
D432,304 S * 10/2000 Zurwelle D3/276
D439,407 S 3/2001 Parker
D441,954 S 5/2001 Parker
D458,127 S 6/2002 de Groote
D462,519 S 9/2002 Gaydos et al.
D464,196 S 10/2002 Parker
D467,425 S 12/2002 Hardigg et al.
D467,426 S 12/2002 Hardigg et al.

DESCRIPTION

FIG. 1 is a front perspective view of our ornamental design of a case;
FIG. 2 is a rear perspective view thereof;
FIG. 3 is a bottom perspective view thereof;
FIG. 4 is another bottom perspective view thereof;
FIG. 5 is a front view thereof;
FIG. 6 is a rear view thereof;
FIG. 7 is a right side view thereof;
FIG. 8 is a left side view thereof;
FIG. 9 is a top plan view thereof; and,
FIG. 10 is a bottom plan view thereof.

1 Claim, 9 Drawing Sheets



(56)

References Cited

U.S. PATENT DOCUMENTS

D516,811	S	3/2006	Kahle et al.	
D520,237	S	5/2006	Cheng	
D523,242	S	6/2006	Hardigg et al.	
D555,902	S	11/2007	Pendergraph et al.	
D579,202	S	10/2008	Grenier et al.	
D599,112	S	9/2009	Wenchel et al.	
D606,308	S	12/2009	Cheng-Wei	
D607,207	S *	1/2010	Horiyama	D3/279
7,641,048	B1	1/2010	Shih	
D638,217	S *	5/2011	von Gottberg	D3/281
D643,625	S *	8/2011	Moretti	D3/282
8,348,057	B1	1/2013	Lee	
D677,887	S *	3/2013	Yen	D3/255
D684,762	S *	6/2013	Cho	D3/204
D694,521	S	12/2013	Robinson et al.	
D712,137	S	9/2014	Hsu	
D721,231	S *	1/2015	Steele	D3/282
D744,749	S *	12/2015	Negrini	D3/262
D754,435	S *	4/2016	Maguire	D3/255
2002/0043534	A1	4/2002	Uke	
2003/0079949	A1 *	5/2003	Harvey	A45C 5/04 190/18 A
2005/0205372	A1	9/2005	Chen	
2006/0011624	A1	1/2006	Shih	
2006/0201958	A1	9/2006	Tieben et al.	
2006/0278485	A1	12/2006	Tonelli	
2013/0135846	A1	5/2013	Werner et al.	

* cited by examiner

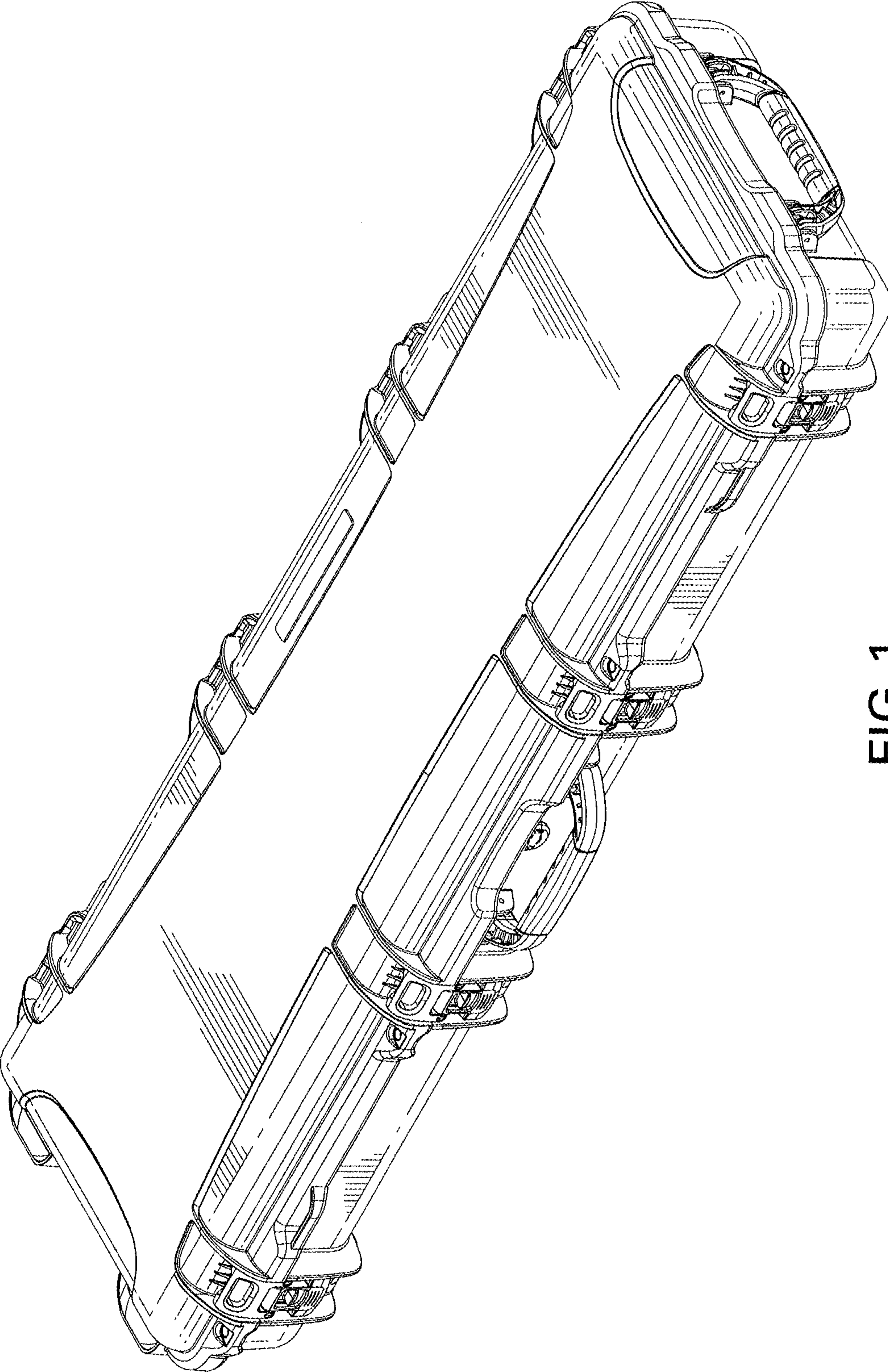


FIG.1

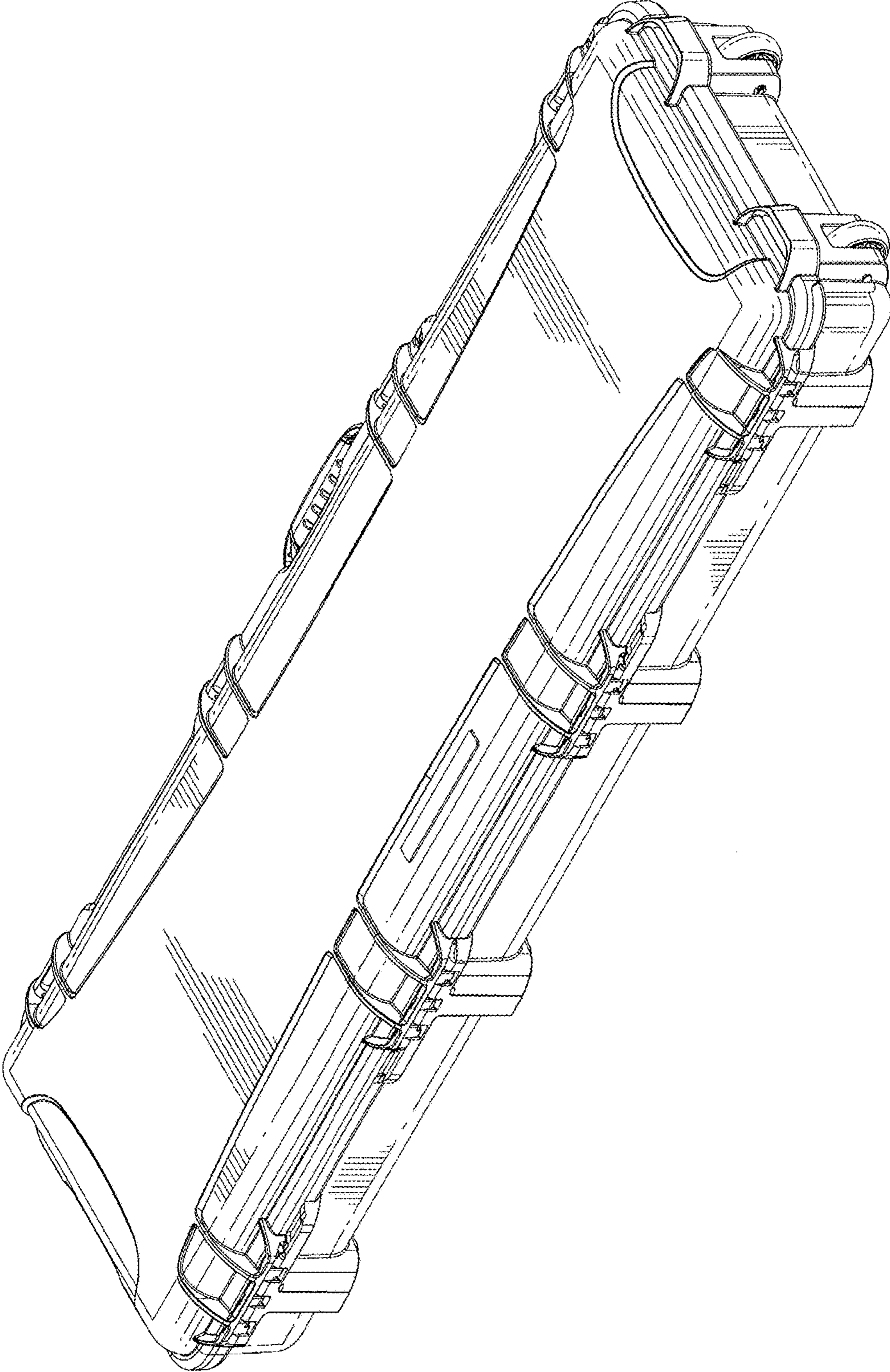


FIG.2

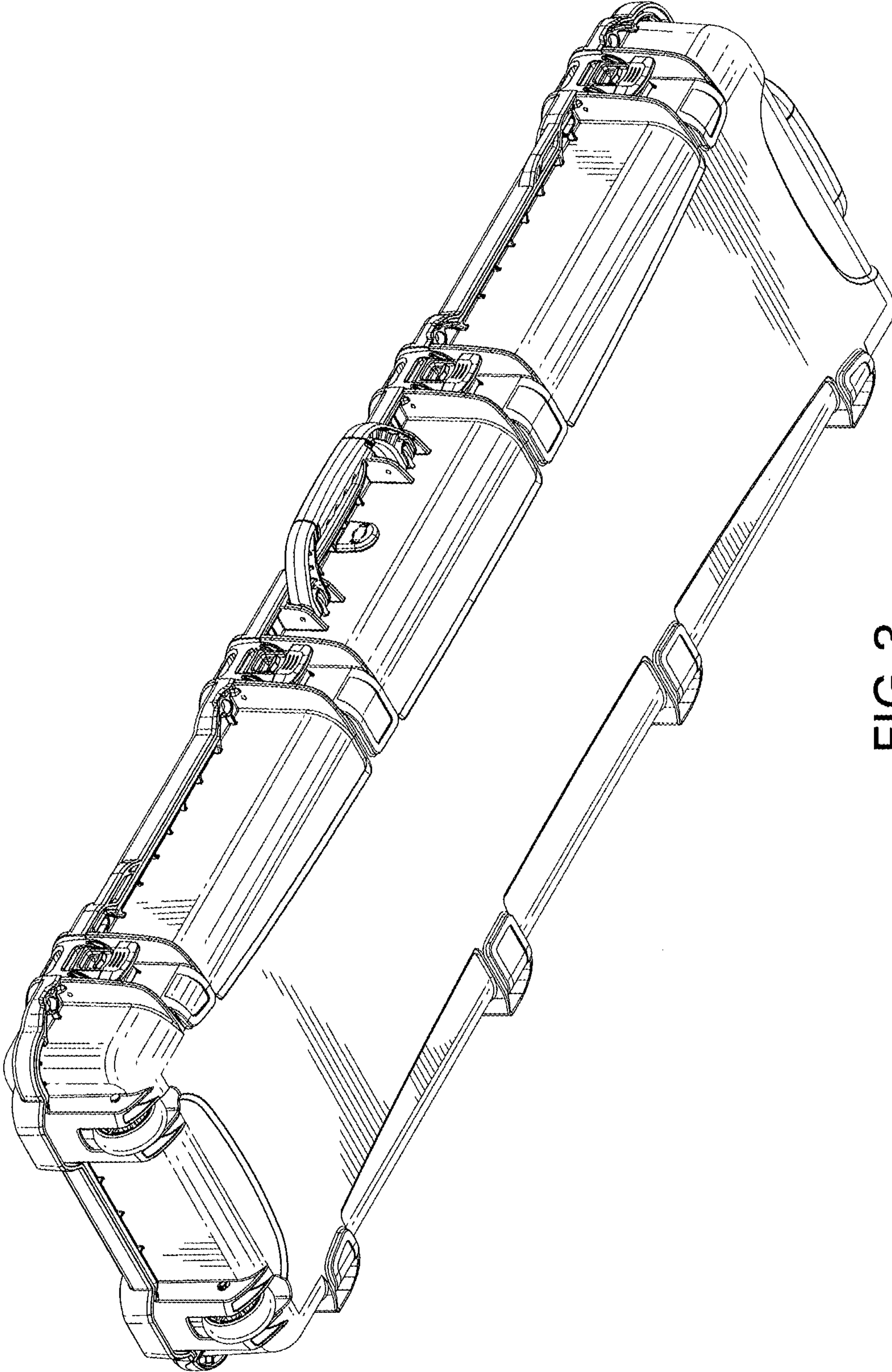


FIG. 3

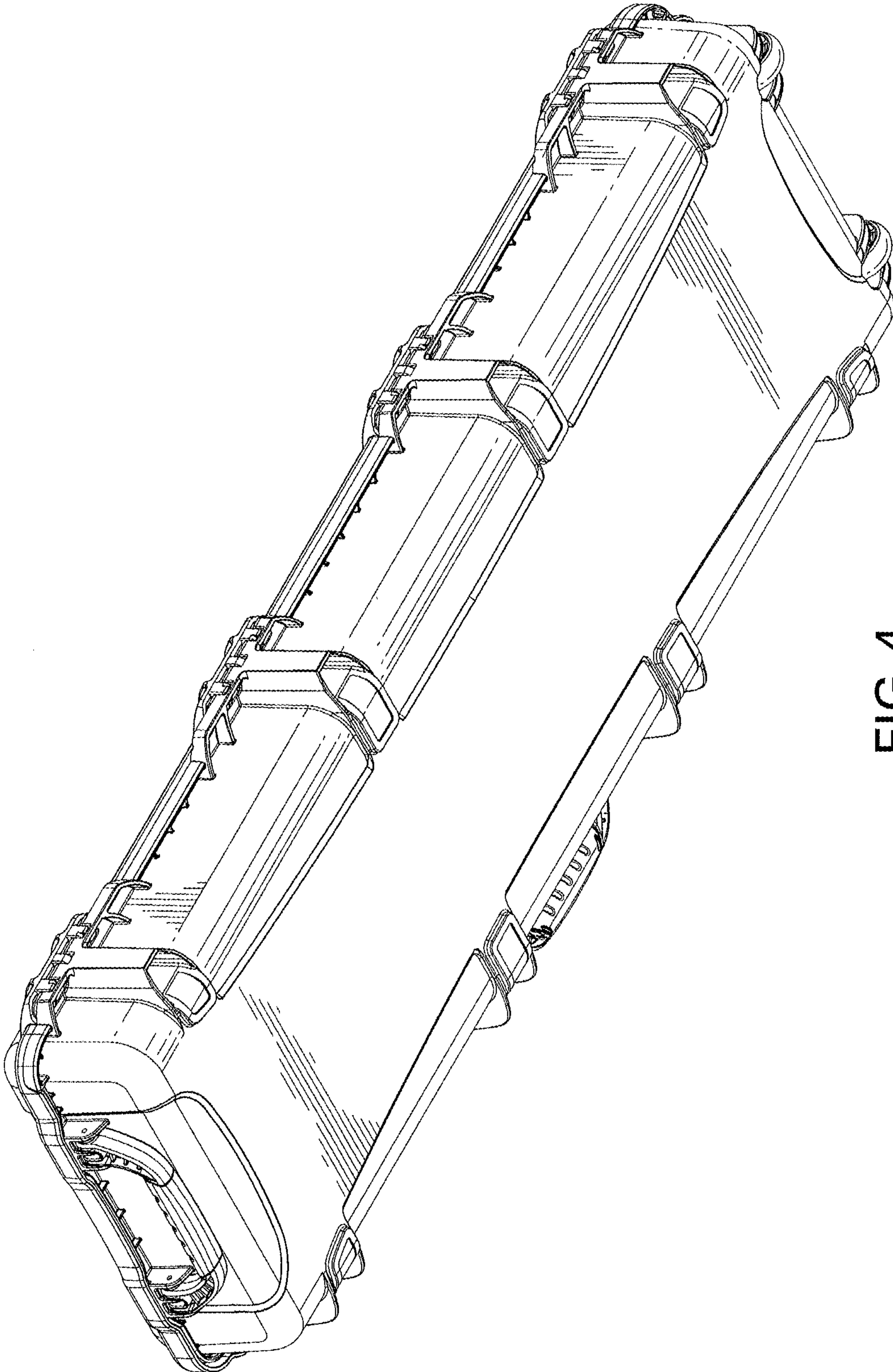


FIG.4

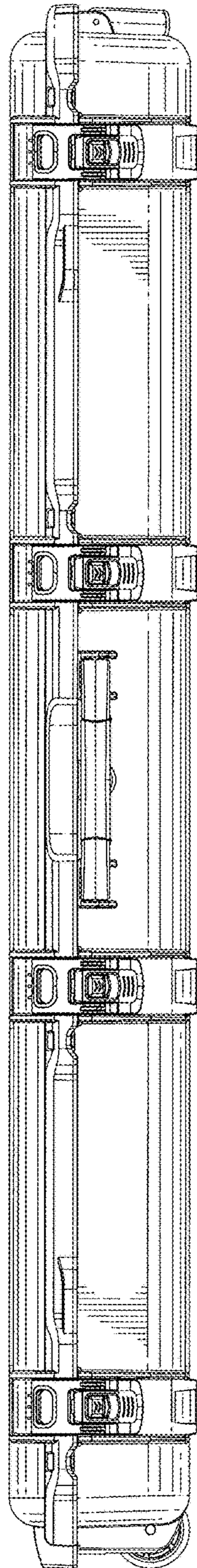


FIG. 5

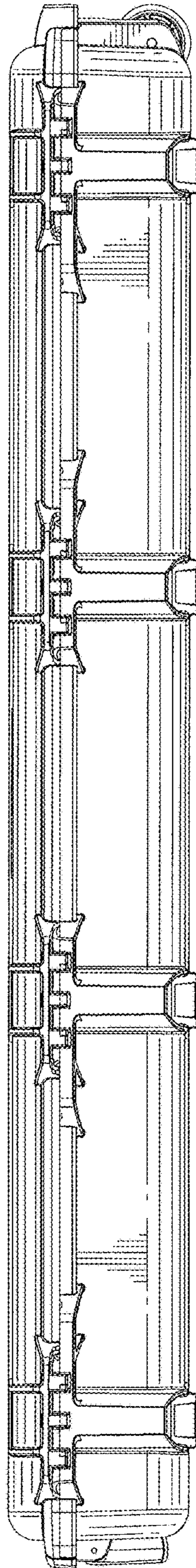


FIG. 6

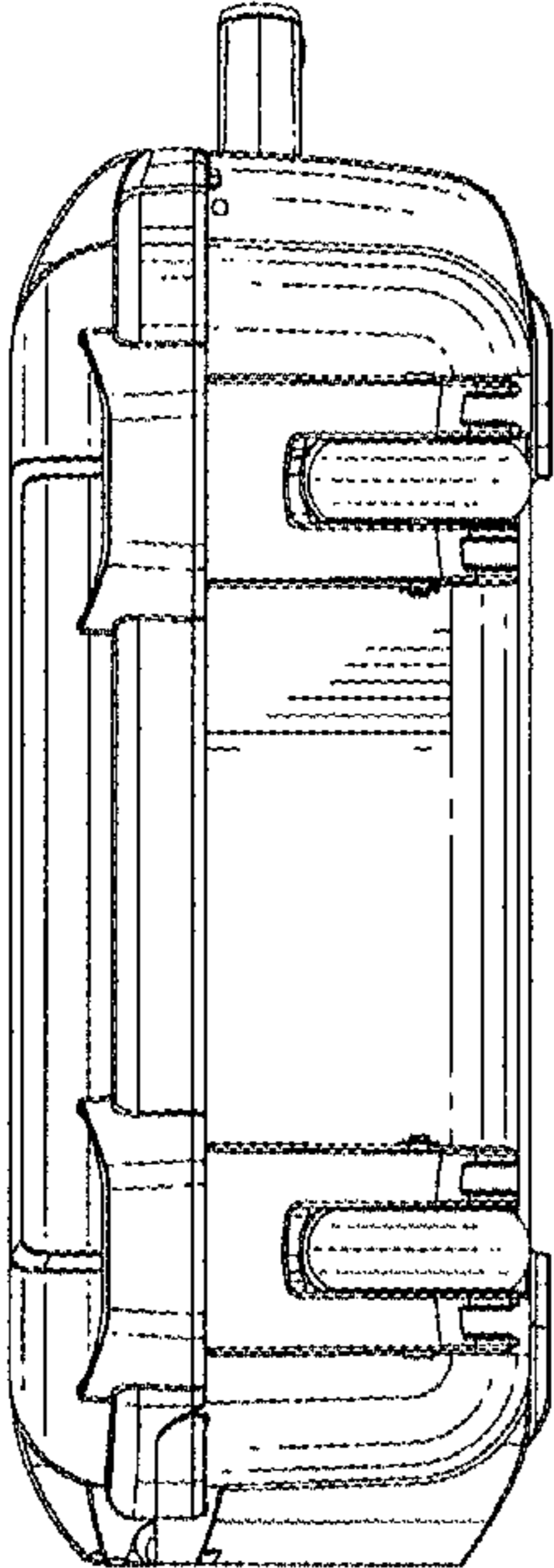


FIG. 7

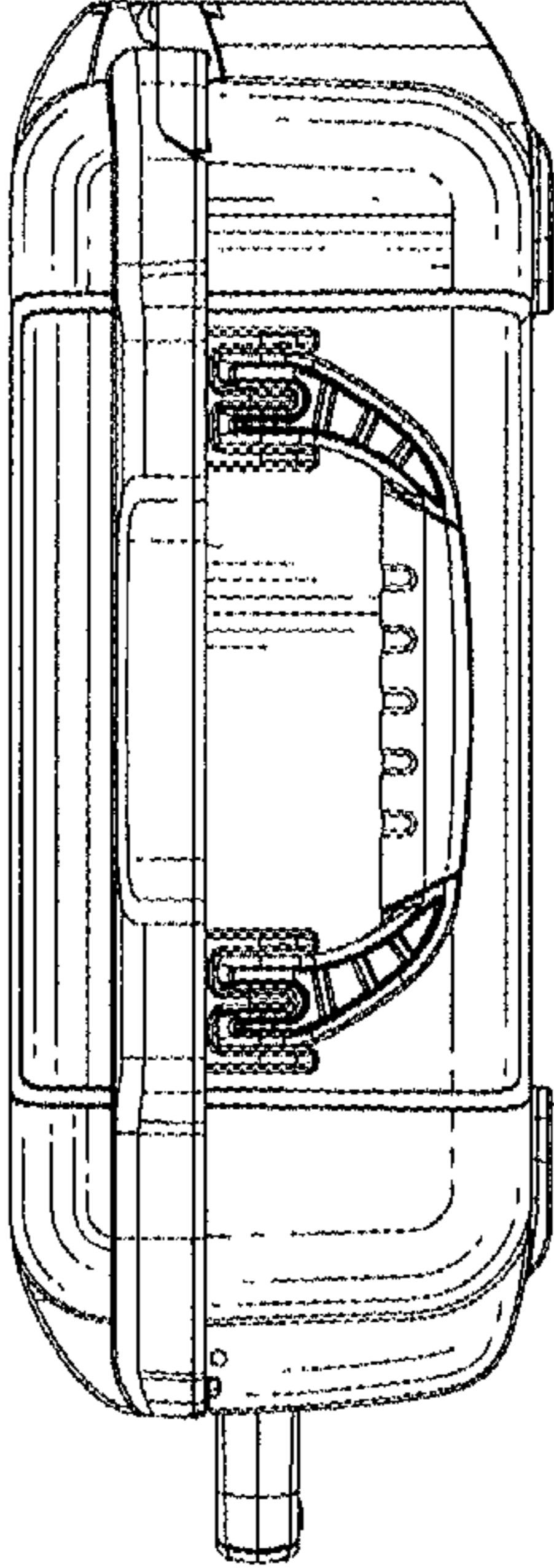


FIG. 8

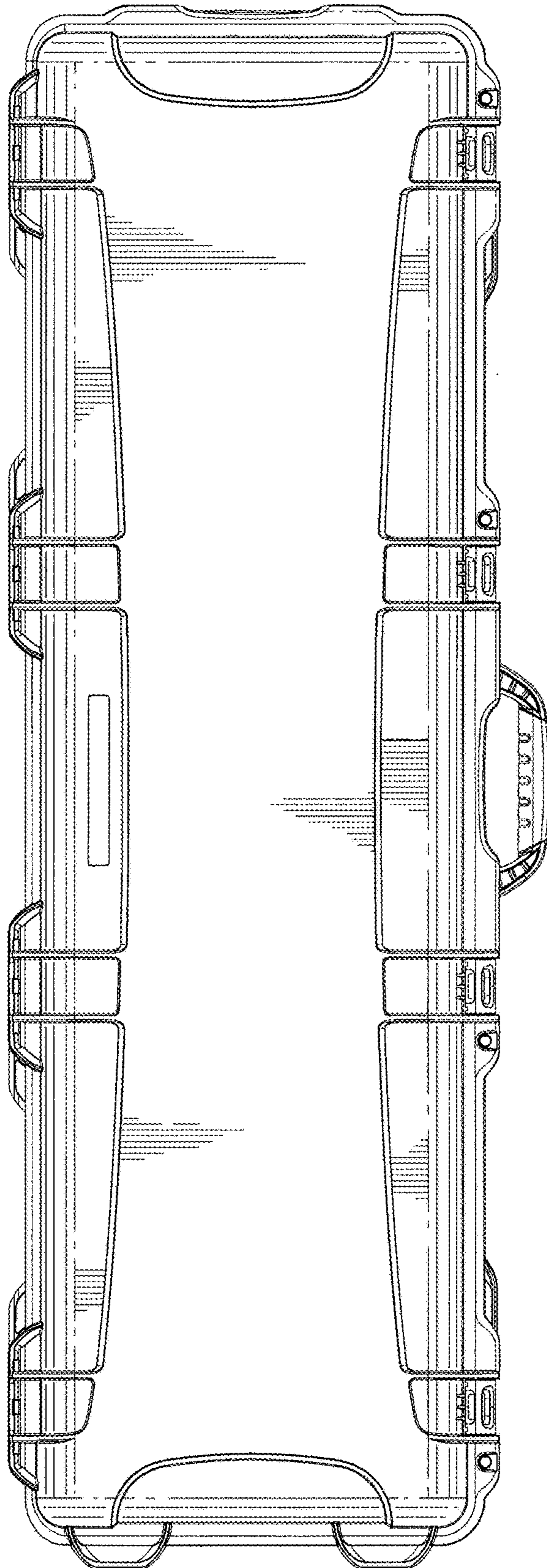


FIG. 9

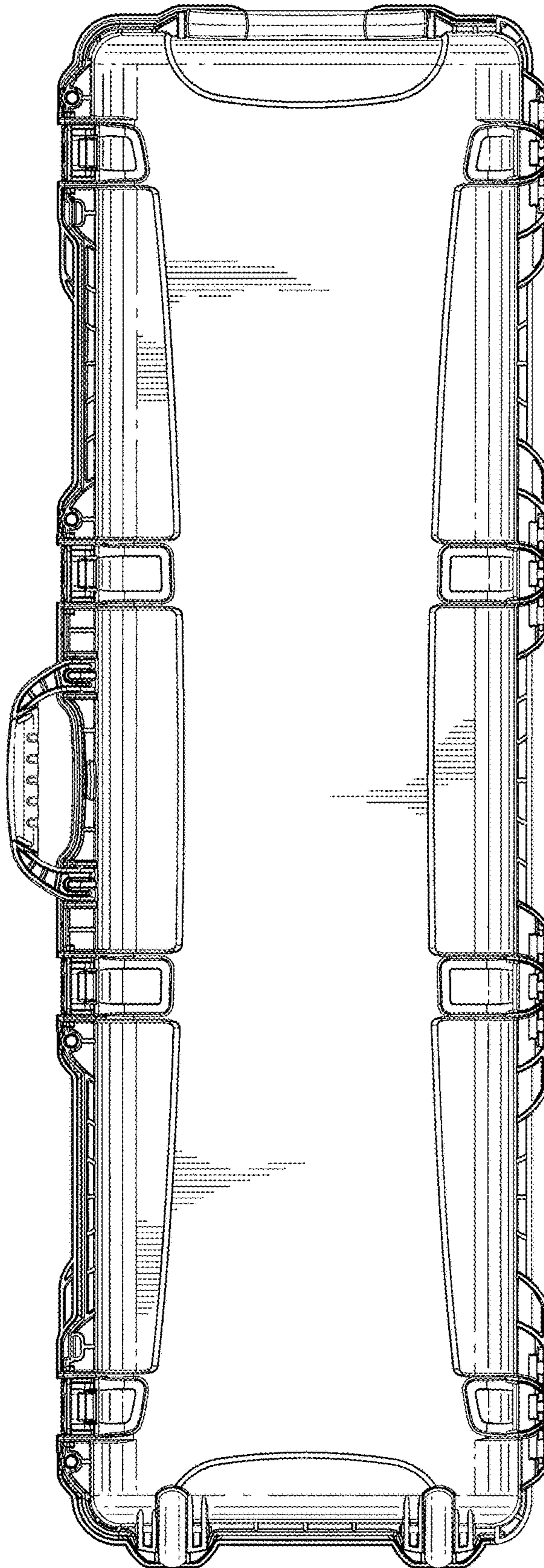


FIG. 10