



US00D779816S

(12) **United States Design Patent**
Bennett et al.

(10) **Patent No.:** **US D779,816 S**
(45) **Date of Patent:** **** Feb. 28, 2017**

(54) **FENCING BAG**

Absolute Fencing Gear, Single Weapon Bag, 2016.*

(71) Applicant: **Radical Fencing LLC**, Glenford, NY (US)

* cited by examiner

(72) Inventors: **Philippe Bennett**, Glenford, NY (US);
Mads Hansen, Glenford, NY (US)

Primary Examiner — Catheri Oliver-Garcia
(74) *Attorney, Agent, or Firm* — Davidson, Davidson & Kappel, LLC

(73) Assignee: **Radical Fencing, LLC**, Glenford, NY (US)

(57) **CLAIM**

(**) Term: **15 Years**

The ornamental design for a fencing bag, as shown and described.

(21) Appl. No.: **29/548,093**

DESCRIPTION

(22) Filed: **Dec. 10, 2015**

(51) **LOC (10) Cl.** **03-01**

(52) **U.S. Cl.**
USPC **D3/220**

(58) **Field of Classification Search**
USPC D3/220, 254, 259; 206/315.1, 317
CPC A45F 5/021; B26B 29/025; F41B 13/04
See application file for complete search history.

FIG. 1 is a top, front perspective view of a fencing bag according to the design;
FIG. 2 is a left side view thereof;
FIG. 3 is a right side view thereof;
FIG. 4 is a rear view thereof;
FIG. 5 is a front view thereof;
FIG. 6 is a top view thereof; and,
FIG. 7 is a bottom view thereof.

The broken lines depict portions of the fencing bag that are for illustrative purposes only and form no part of the claimed design.

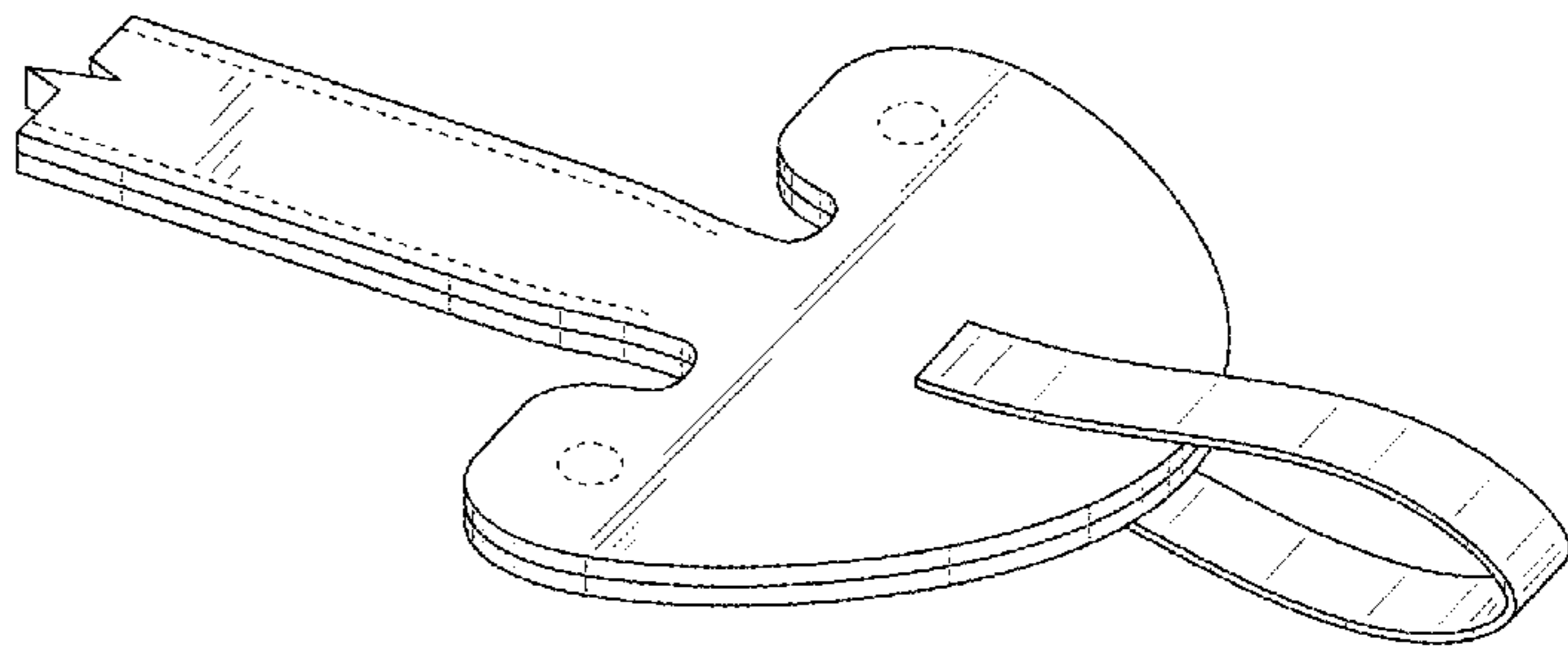
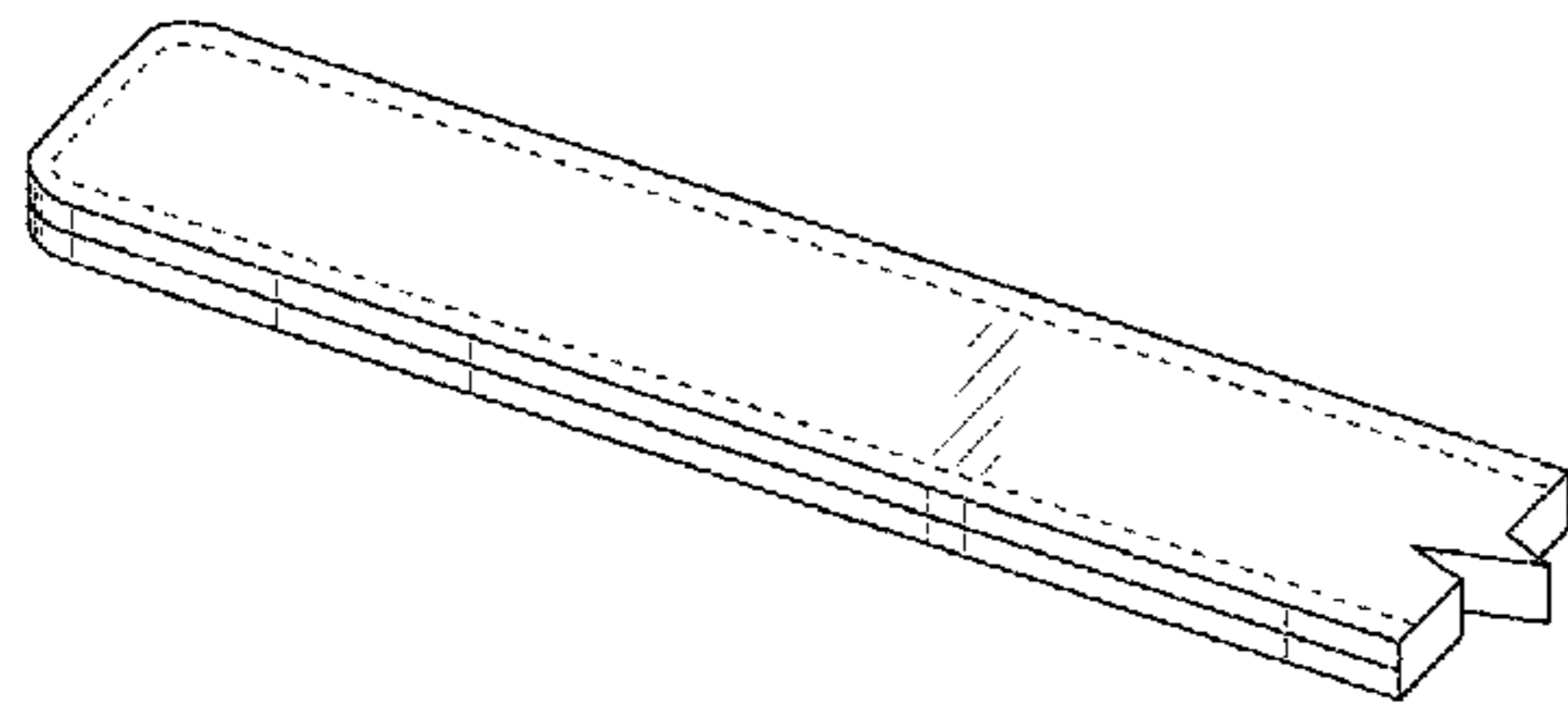
The fencing bag is shown broken away to indicate that no particular length is claimed.

(56) **References Cited**

PUBLICATIONS

BG Single Weapon Fencing Bag, 2016.*

1 Claim, 3 Drawing Sheets



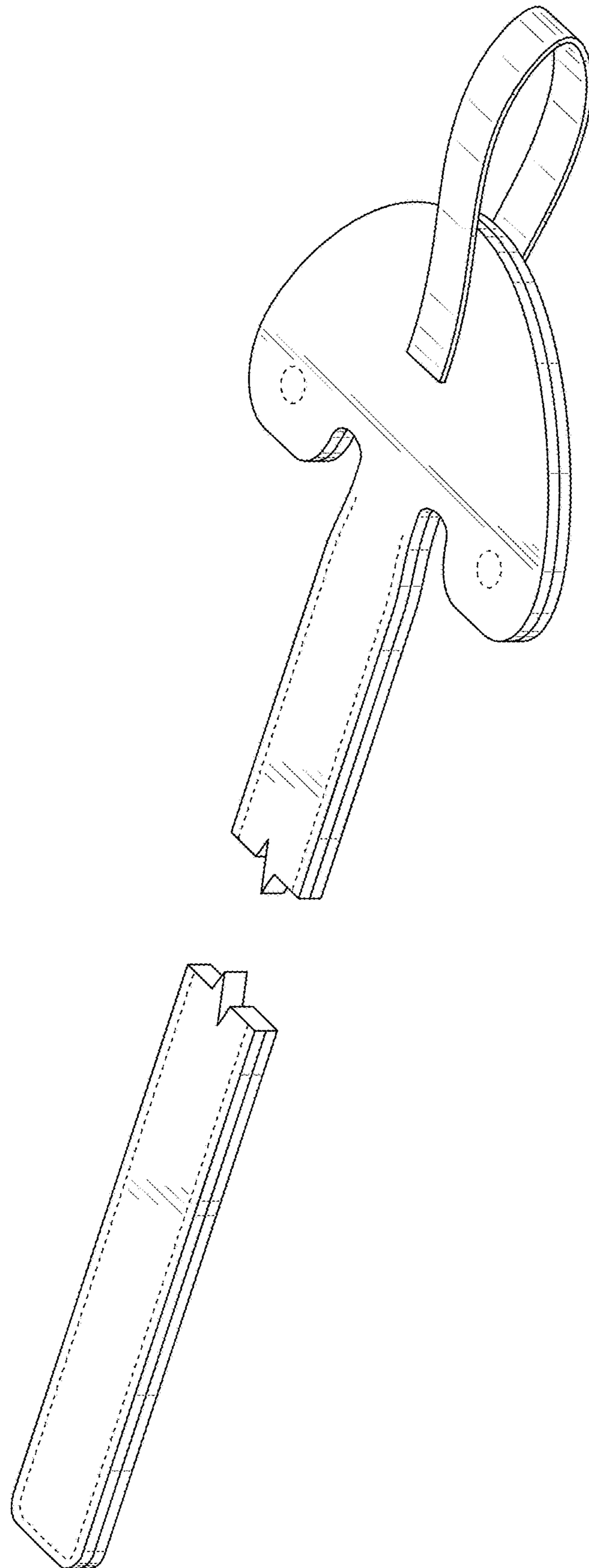


Fig. 1

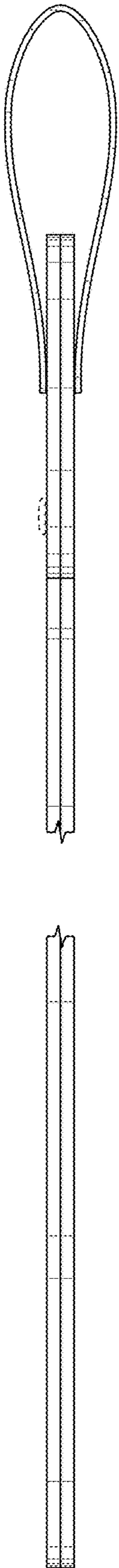


Fig. 2

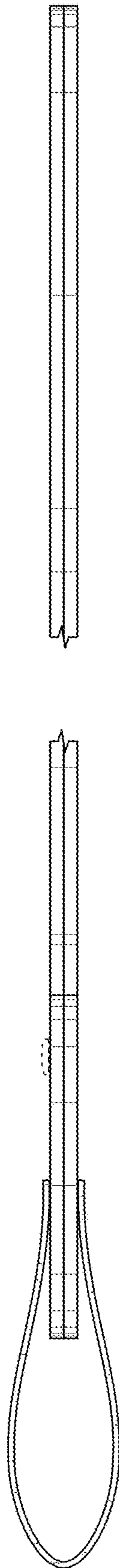


Fig. 3

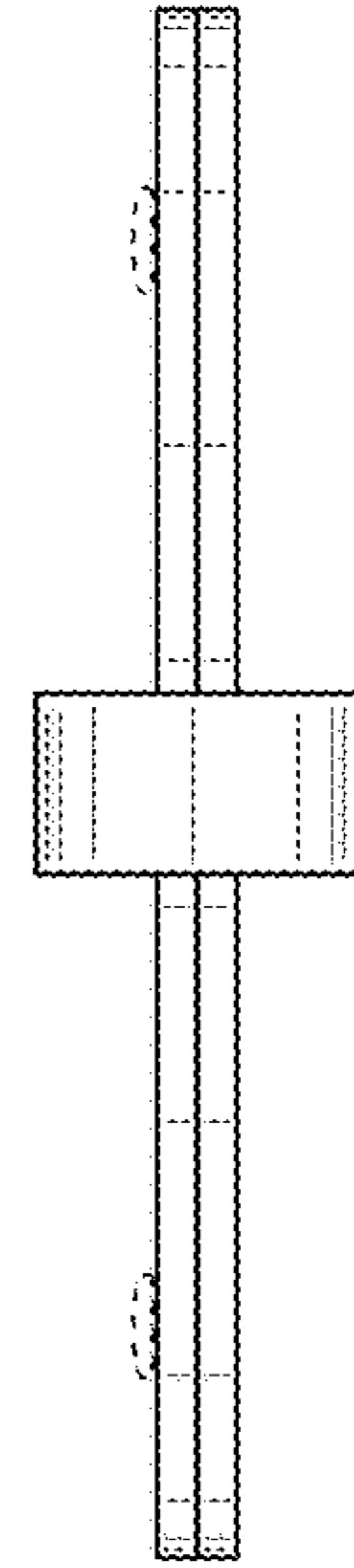


Fig. 5

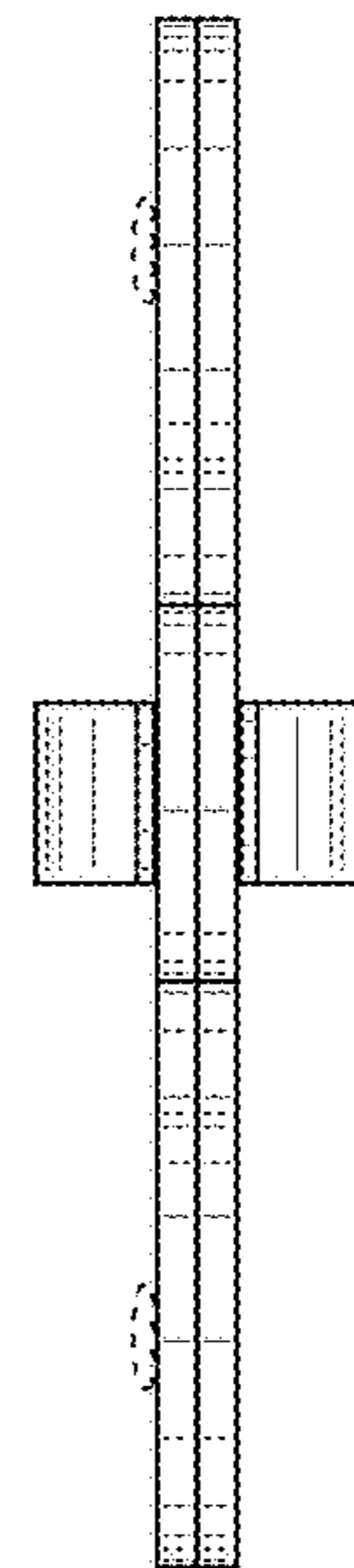


Fig. 4

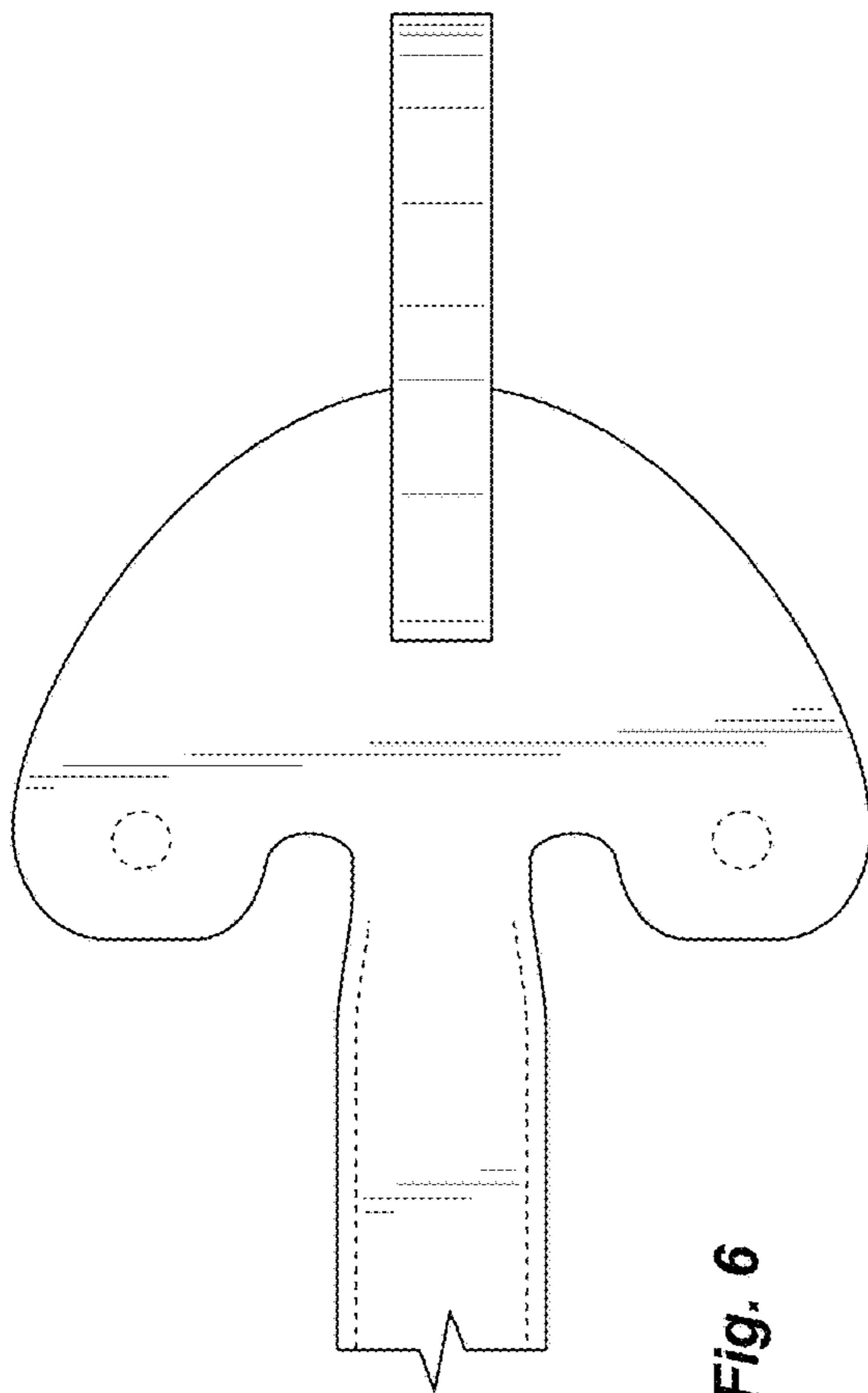


Fig. 6

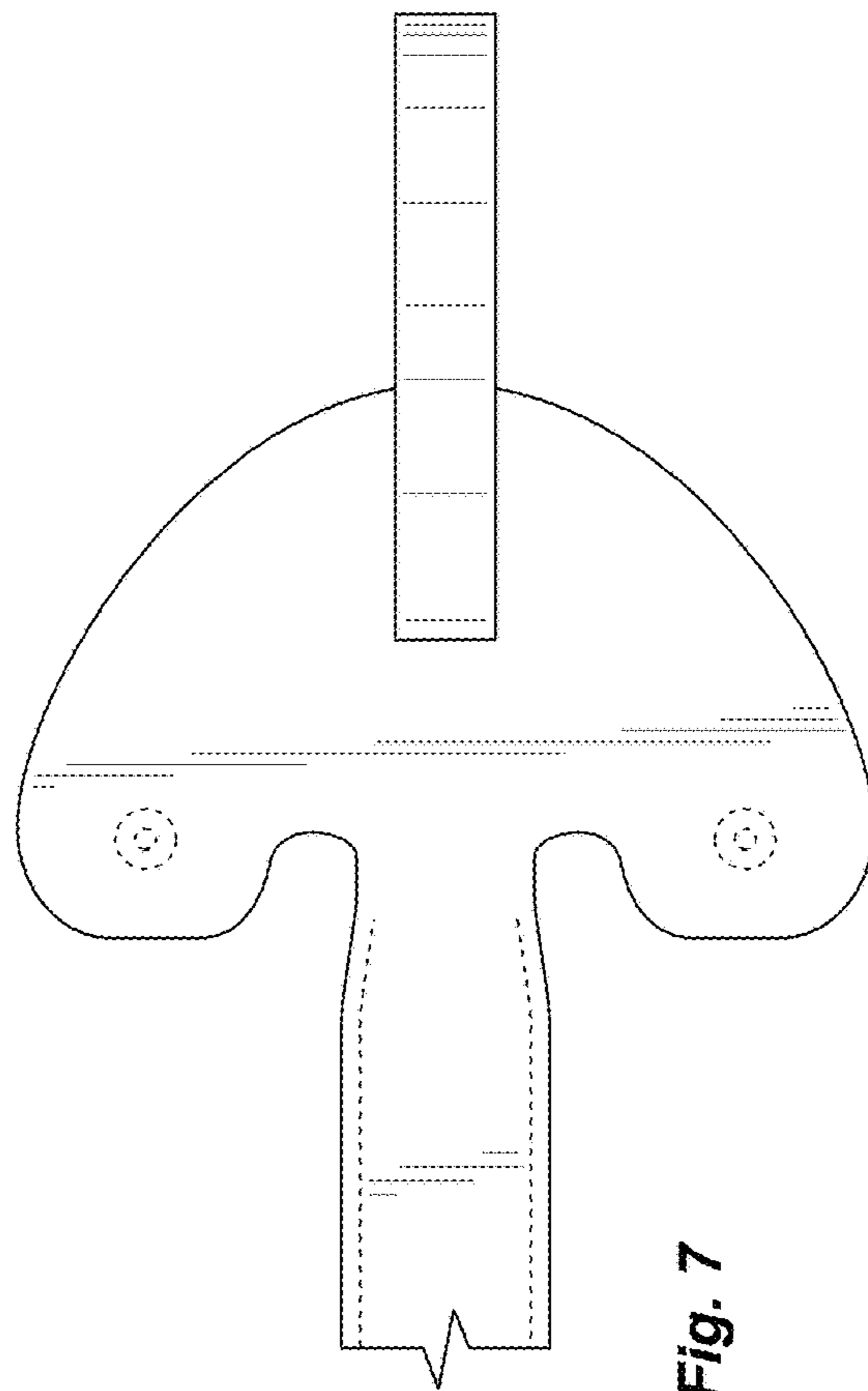


Fig. 7

