



US00D779813S

(12) **United States Design Patent** (10) **Patent No.:** **US D779,813 S**
Funk (45) **Date of Patent:** **** Feb. 28, 2017**

(54) **PORTION OF A SHAVING BOX**
 (71) Applicant: **Steven Funk**, Newark, DE (US)
 (72) Inventor: **Steven Funk**, Newark, DE (US)
 (**) Term: **15 Years**
 (21) Appl. No.: **29/534,839**
 (22) Filed: **Jul. 31, 2015**
 (51) **LOC (10) Cl.** **03-01**
 (52) **U.S. Cl.**
 USPC **D3/205**
 (58) **Field of Classification Search**
 USPC D3/205; D4/124
 CPC A45C 11/00; A45C 11/008; A45C 11/26;
 A45C 2011/007; A45C 9/00; A45D 44/18
 See application file for complete search history.

(56) **References Cited**
 U.S. PATENT DOCUMENTS

D326,017 S *	5/1992	Orosy	D3/205
5,228,580 A *	7/1993	Grange	A45D 27/29
				211/70.6
D340,353 S *	10/1993	Benarrouch	D28/83
D359,163 S *	6/1995	Summerfield	D3/205
D449,158 S *	10/2001	Banks	D3/205
D738,629 S *	9/2015	Robbins	D4/124

2011/0142530 A1* 6/2011 Myers A46B 11/0017
 401/270
 2012/0124758 A1* 5/2012 Sabisch A46B 13/02
 15/21.1
 2015/0265019 A1* 9/2015 Niedzwiecki A45C 11/008
 132/315

* cited by examiner

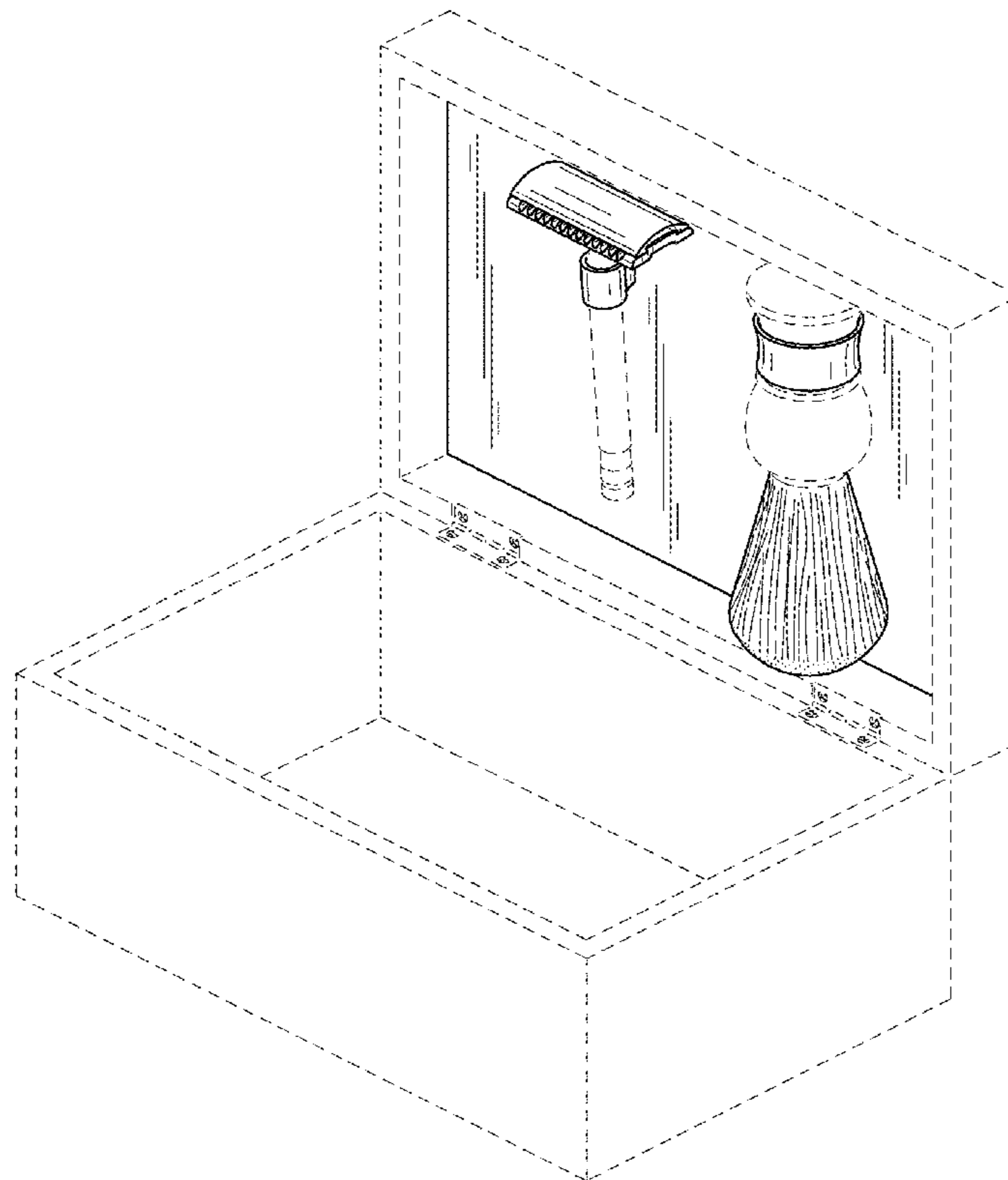
Primary Examiner — Charles Hanson
 (74) *Attorney, Agent, or Firm* — Dunlap Bennett & Ludwig PLLC

(57) **CLAIM**
 The ornamental design for a portion of a shaving box, as shown and described.

DESCRIPTION

FIG. 1 is a front perspective view of a portion of a shaving box;
 FIG. 2 is a front elevation view thereof;
 FIG. 3 is a rear elevation view thereof;
 FIG. 4 is a left side elevation view thereof;
 FIG. 5 is a right side elevation view thereof;
 FIG. 6 is a top plan view thereof;
 FIG. 7 is a bottom plan view thereof;
 FIG. 8 is a cross-sectional view thereof, taken along line 8-8 of FIG. 2; and,
 FIG. 9 is a cross-sectional view thereof, taken along line 9-9 of FIG. 2.
 The broken lines shown in the drawings illustrate portions of the shaving box that form no part of the claimed design.

1 Claim, 6 Drawing Sheets



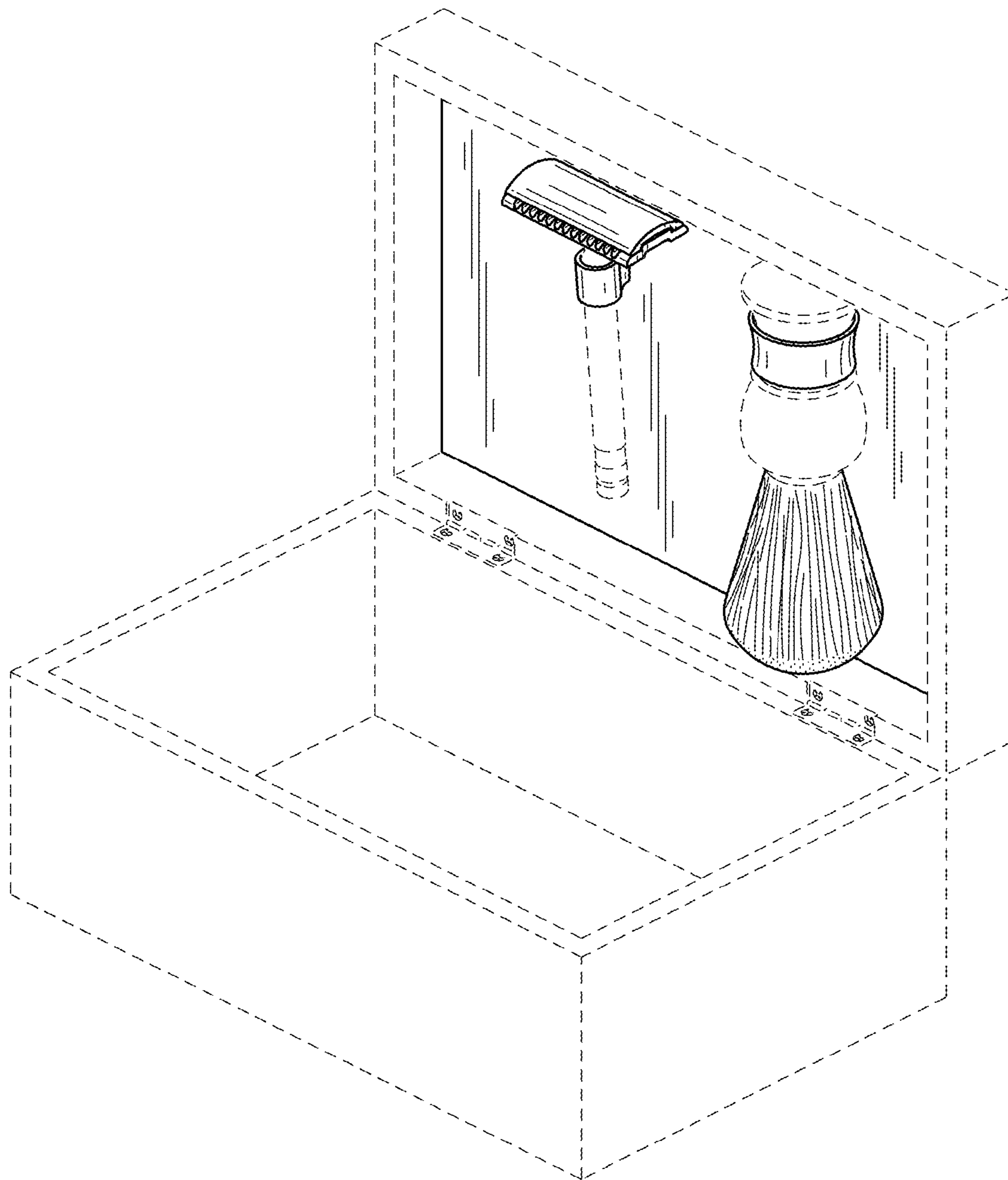


FIG. 1

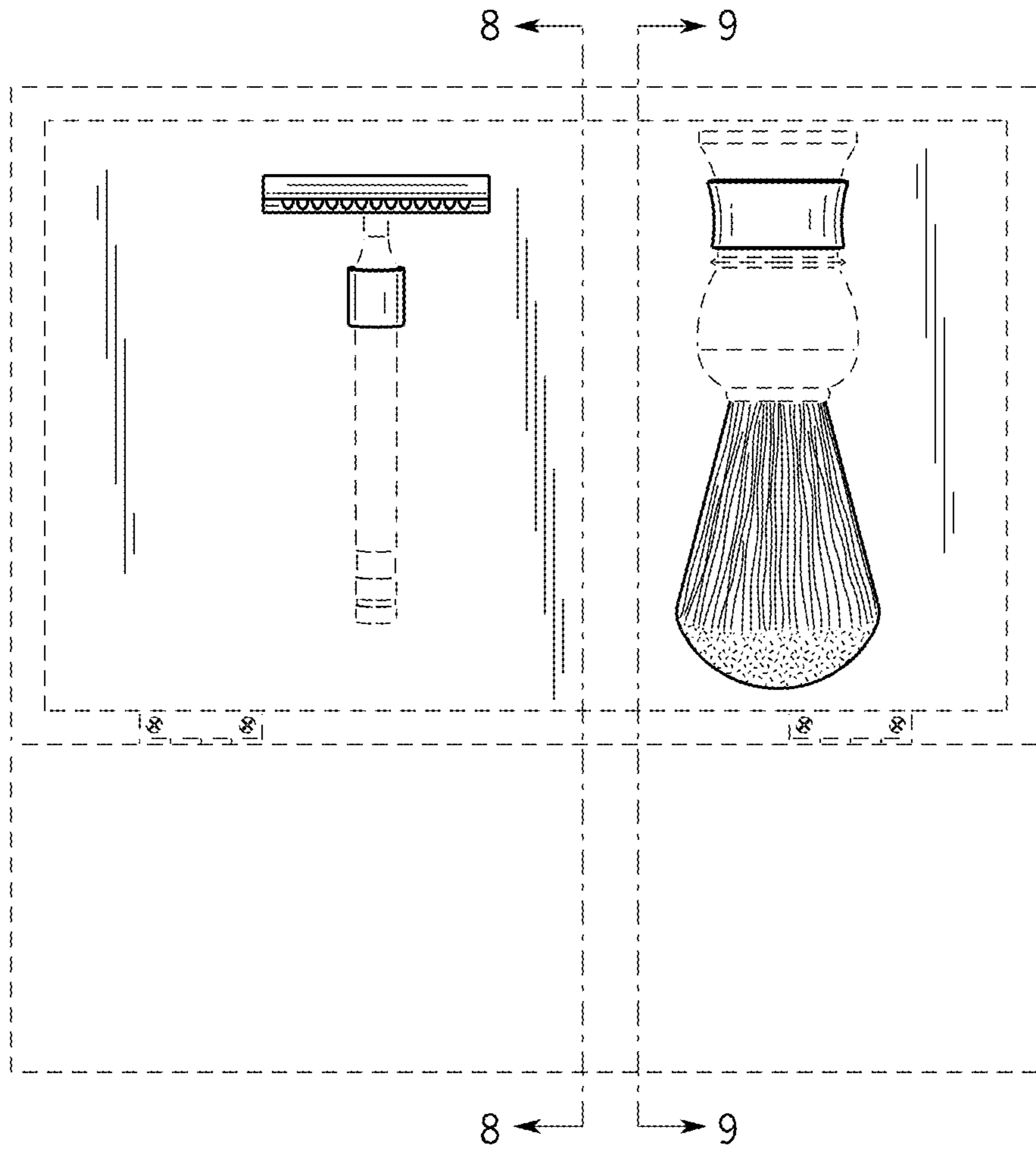


FIG. 2

FIG. 3

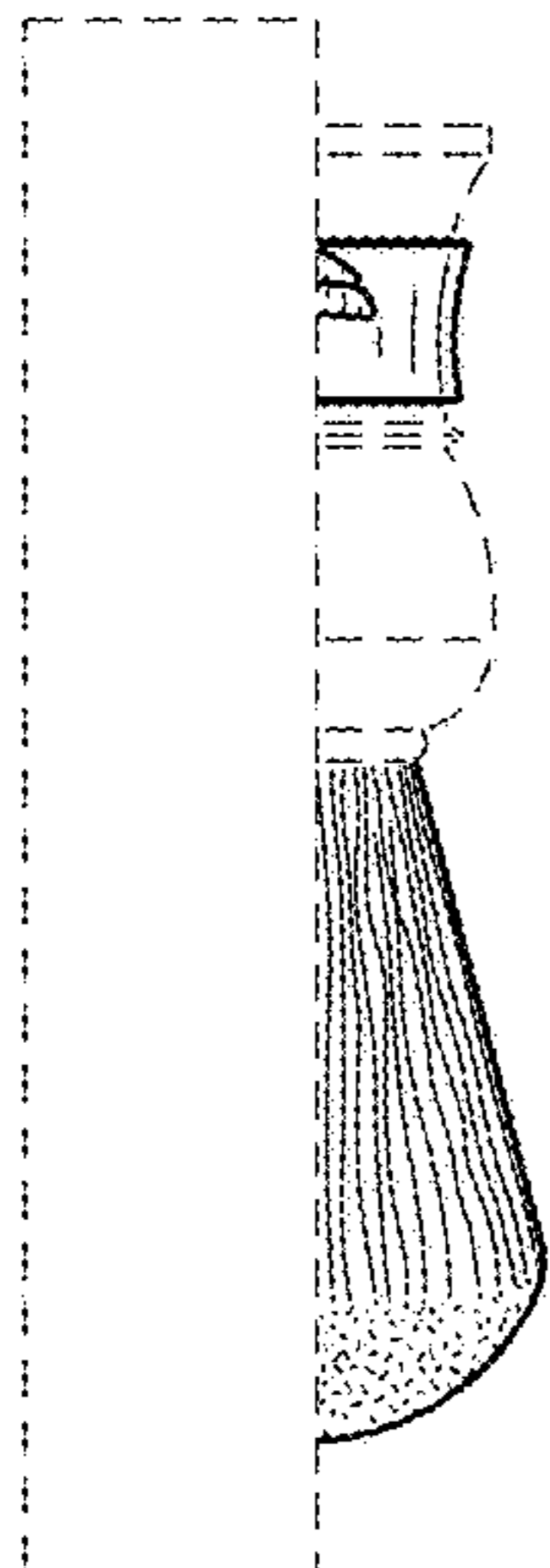
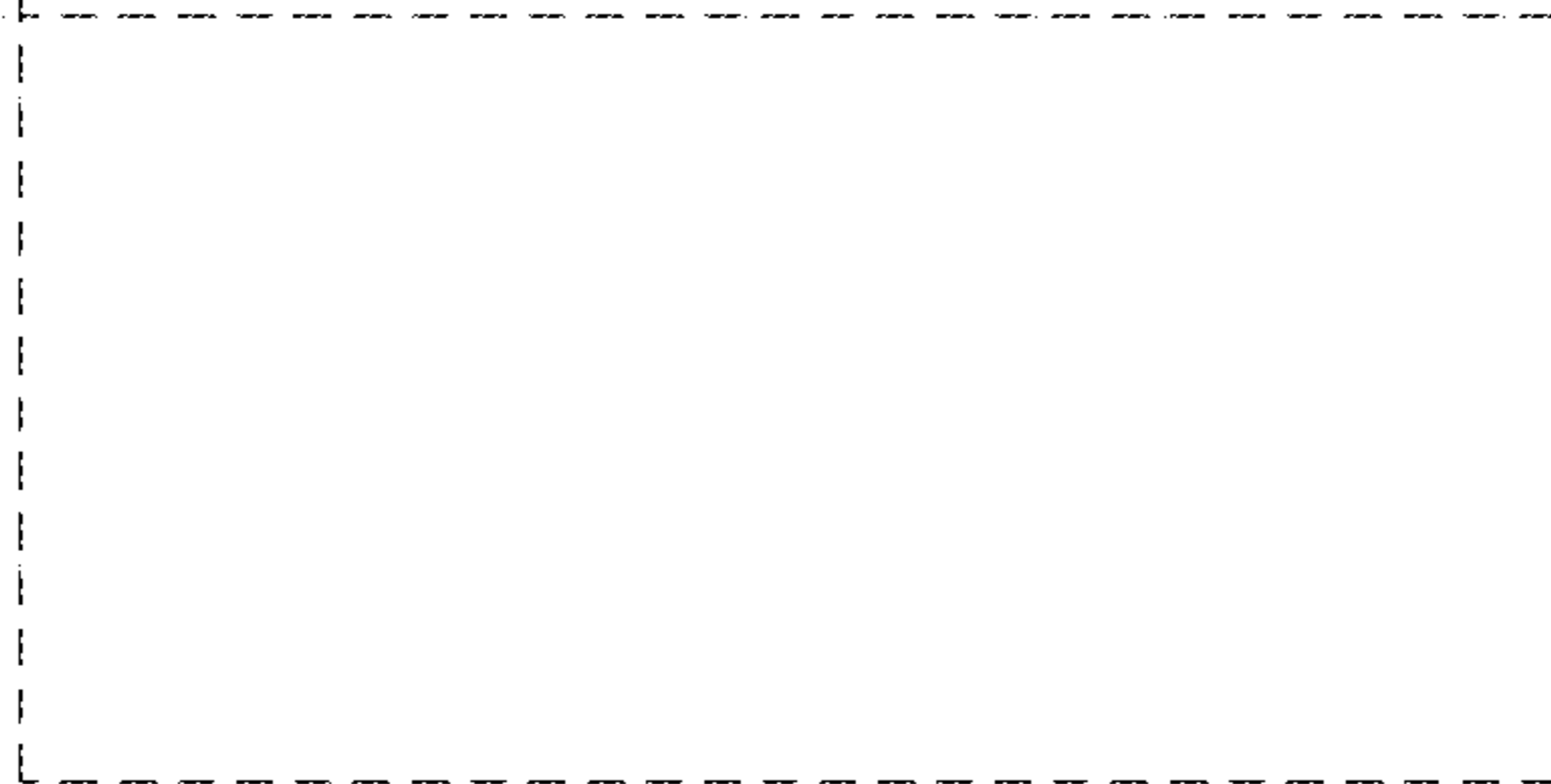


FIG. 4



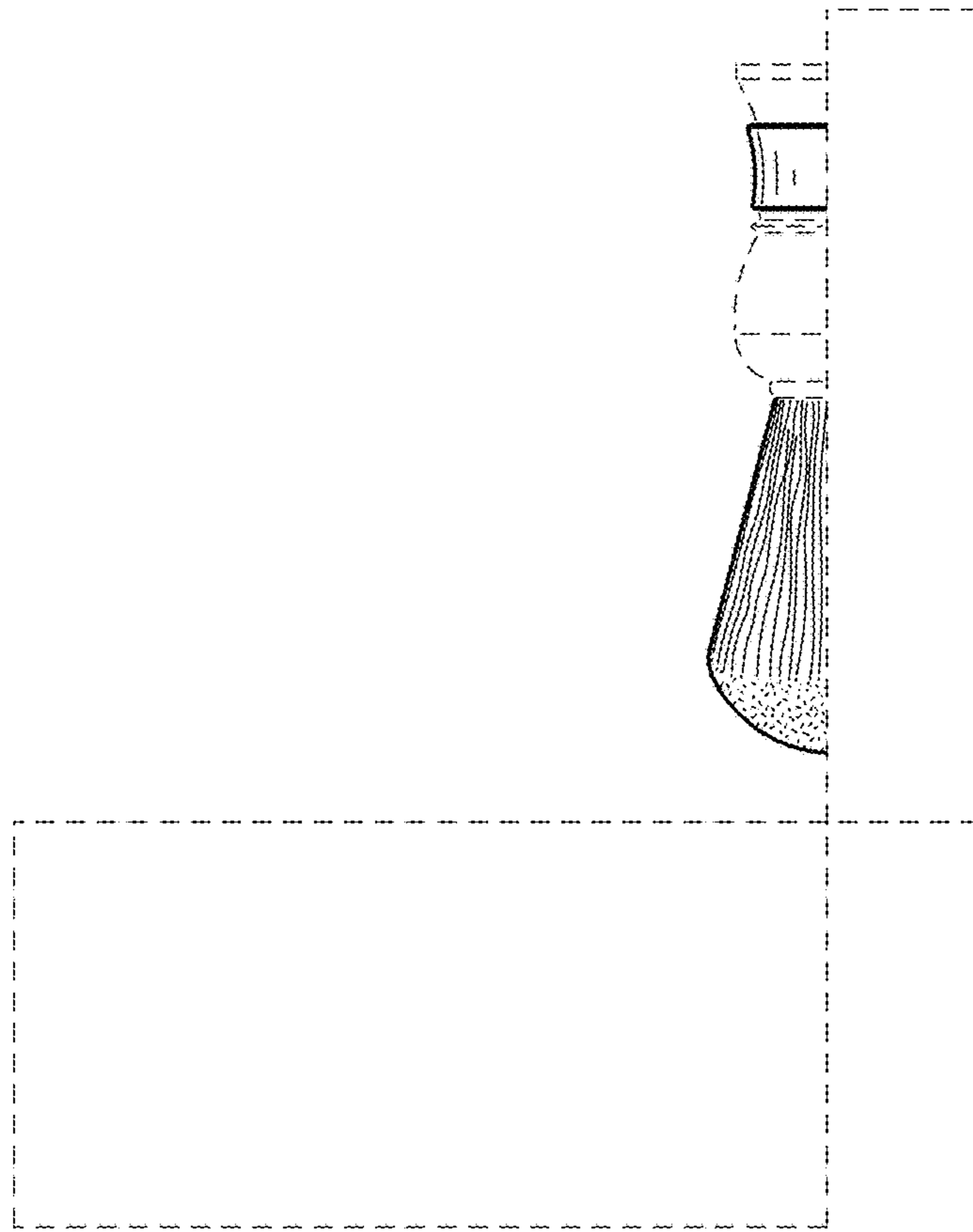


FIG. 5

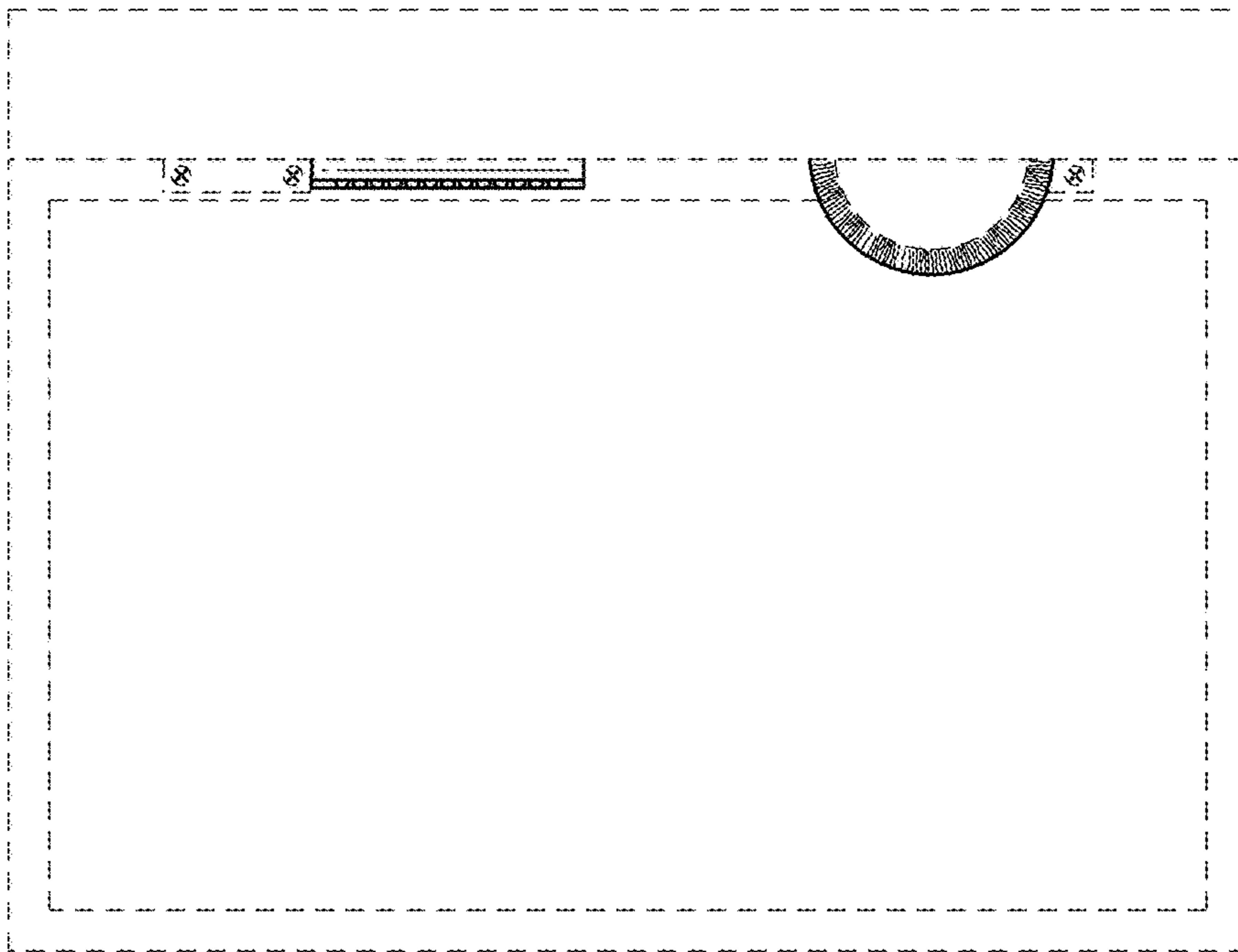


FIG. 6



FIG. 7

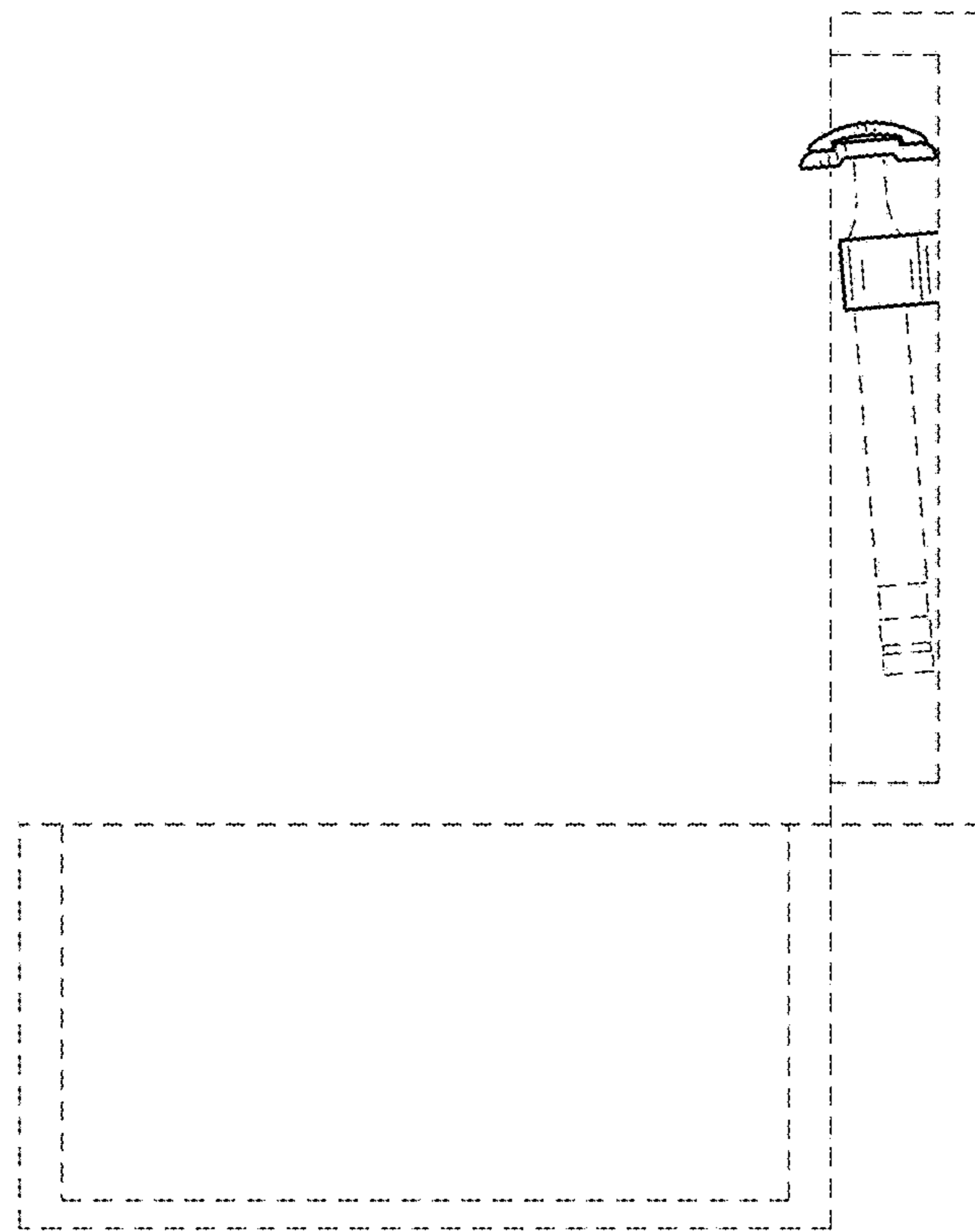


FIG. 8

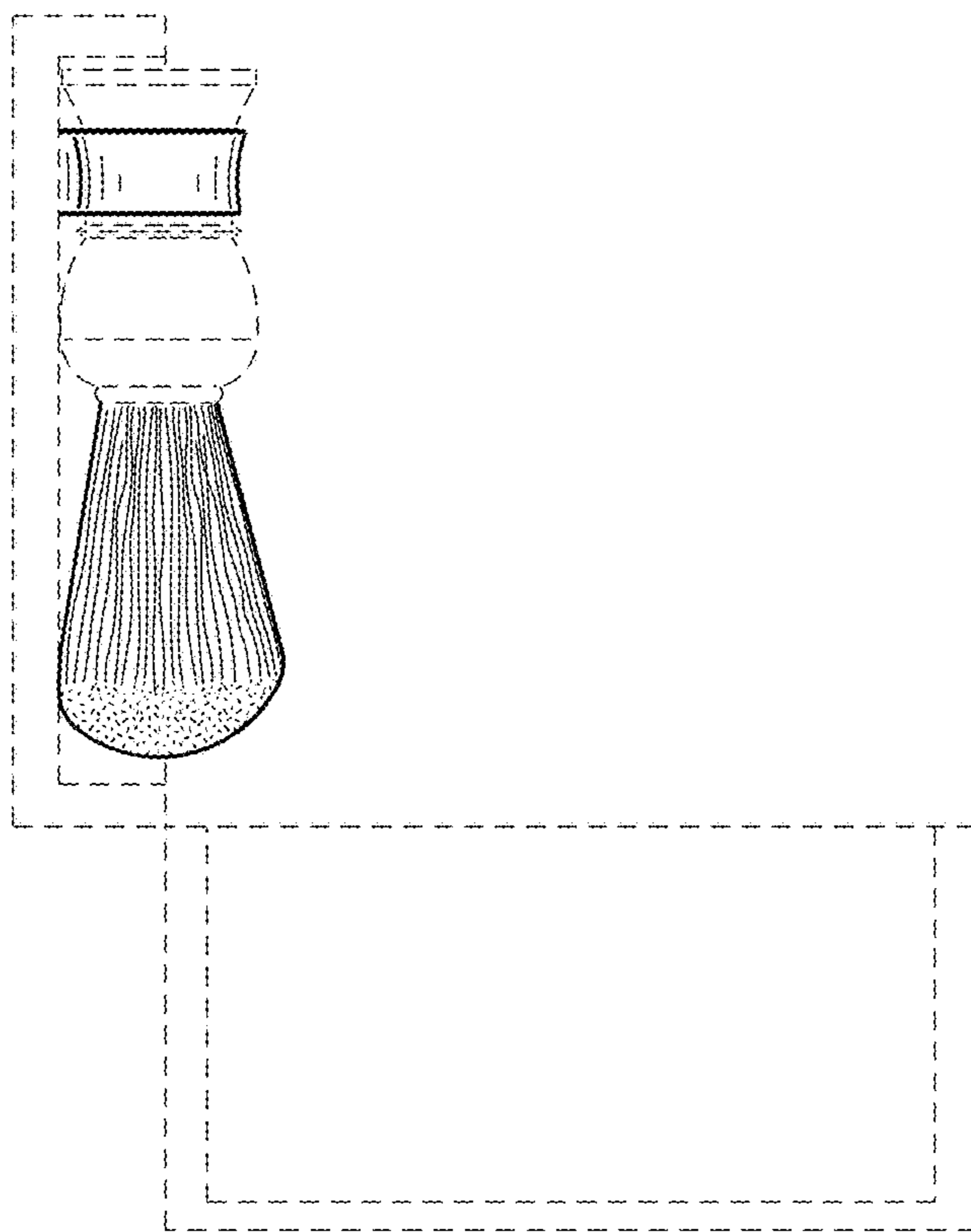


FIG. 9