



US00D779811S

(12) **United States Design Patent** (10) **Patent No.:** **US D779,811 S**
Van Lanschot et al. (45) **Date of Patent:** **** *Feb. 28, 2017**

(54) **PILLBOX**

(71) Applicant: **Glansch B.V.**, Leusden (NL)

(72) Inventors: **Godfried Van Lanschot**, Zeist (NL);
Simon James Hemmingway
Wilkinson, Leiderdorp (GB)

(73) Assignee: **Glansch B.V.**, Leusden (NL)

(*) Notice: This patent is subject to a terminal disclaimer.

(**) Term: **14 Years**

(21) Appl. No.: **29/477,628**

(22) Filed: **Dec. 24, 2013**

(30) **Foreign Application Priority Data**

Jun. 24, 2013 (EM) 002261388

(51) **LOC (10) Cl.** **03-01**

(52) **U.S. Cl.**
USPC **D3/203.3**

(58) **Field of Classification Search**
USPC D3/201–205, 269, 273; D28/76; D9/424,
D9/428–429; 206/508, 532–540, 235,
(Continued)

(56) **References Cited**

U.S. PATENT DOCUMENTS

D26,315 S * 11/1896 Miller D9/504
D28,413 S * 3/1898 Taite D9/504
(Continued)

OTHER PUBLICATIONS

Photographs of a prior design of a pillbox published on the Internet on or about Oct. 31, 2012.

Primary Examiner — Catheri Oliver-Garcia

(74) *Attorney, Agent, or Firm* — Steven M. Koehler;
Westman, Champlin & Koehler, P.A.

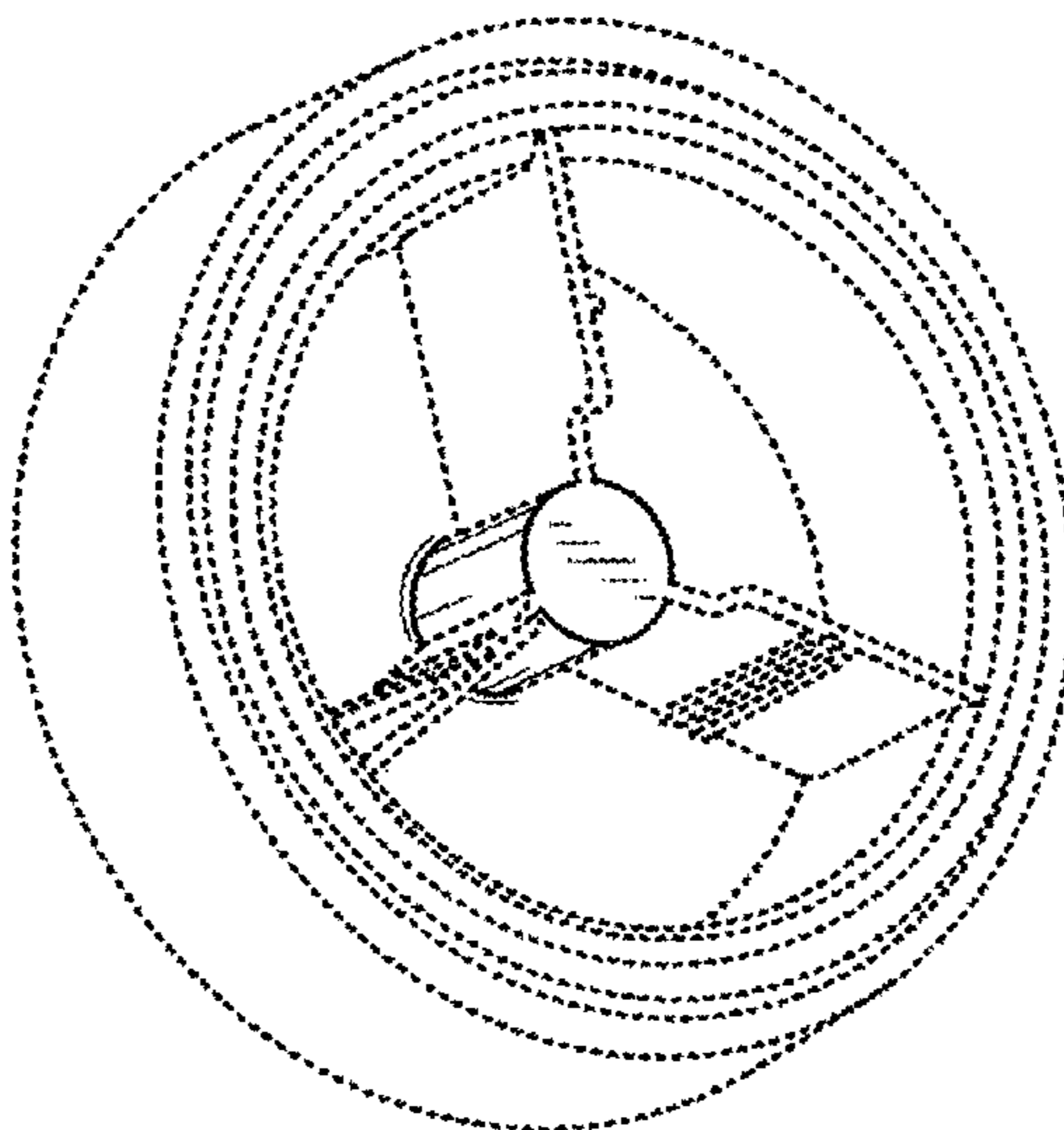
(57) **CLAIM**

The ornamental design for a pillbox, as shown and described.

DESCRIPTION

FIG. 1 is a perspective view of a pillbox.
FIG. 2 is an elevational view of the pillbox, the front, rear, left and right elevational views being the same.
FIG. 3 is a top view of the pillbox.
FIG. 4 is a bottom view of the pillbox.
FIG. 5 is a perspective view of the pillbox in an exploded view with a cover separated from a housing portion.
FIG. 6 is a perspective view of the housing portion;
FIG. 7 is another perspective view of the housing portion;
FIG. 8 is another perspective view of the housing portion;
FIG. 9 is a second perspective view of the pillbox in an exploded view with the cover separated from the housing portion.
FIG. 10 is an elevational view of the pillbox in an exploded view with the cover separated from the housing portion;
FIG. 11 is a top view of the lower portion; and,
FIG. 12 is a bottom view of the cover.
The broken lines shown in the drawings are included for purposes of illustrating portions of the pillbox that form no part of the claimed design. Although many broken lines and solid lines are shown in the drawings, it is contemplated by the inventors that one or more of these elements may be removed, for example by illustrating the element(s) as broken lines, or added by illustrating the element(s) with solid lines, to illustrate other embodiments of the present invention. Coloring of the lower housing portions and/or covers are optional and can include the color of metal. The surfaces can be shiny or matte.

1 Claim, 11 Drawing Sheets



(58) **Field of Classification Search**

USPC 206/581, 823, 509; 220/352, 356, 376,
220/380; 132/293, 298, 307

See application file for complete search history.

(56) **References Cited**

U.S. PATENT DOCUMENTS

3,198,713	A *	8/1965	McCormick	206/509
D531,036	S *	10/2006	Bried et al.	D9/504
D621,603	S *	8/2010	Traylor	D3/203.2
D645,657	S *	9/2011	Portney	D3/203.2
D681,936	S *	5/2013	Basas et al.	D3/203.2
8,807,147	B2 *	8/2014	Kim et al.	206/235

* cited by examiner

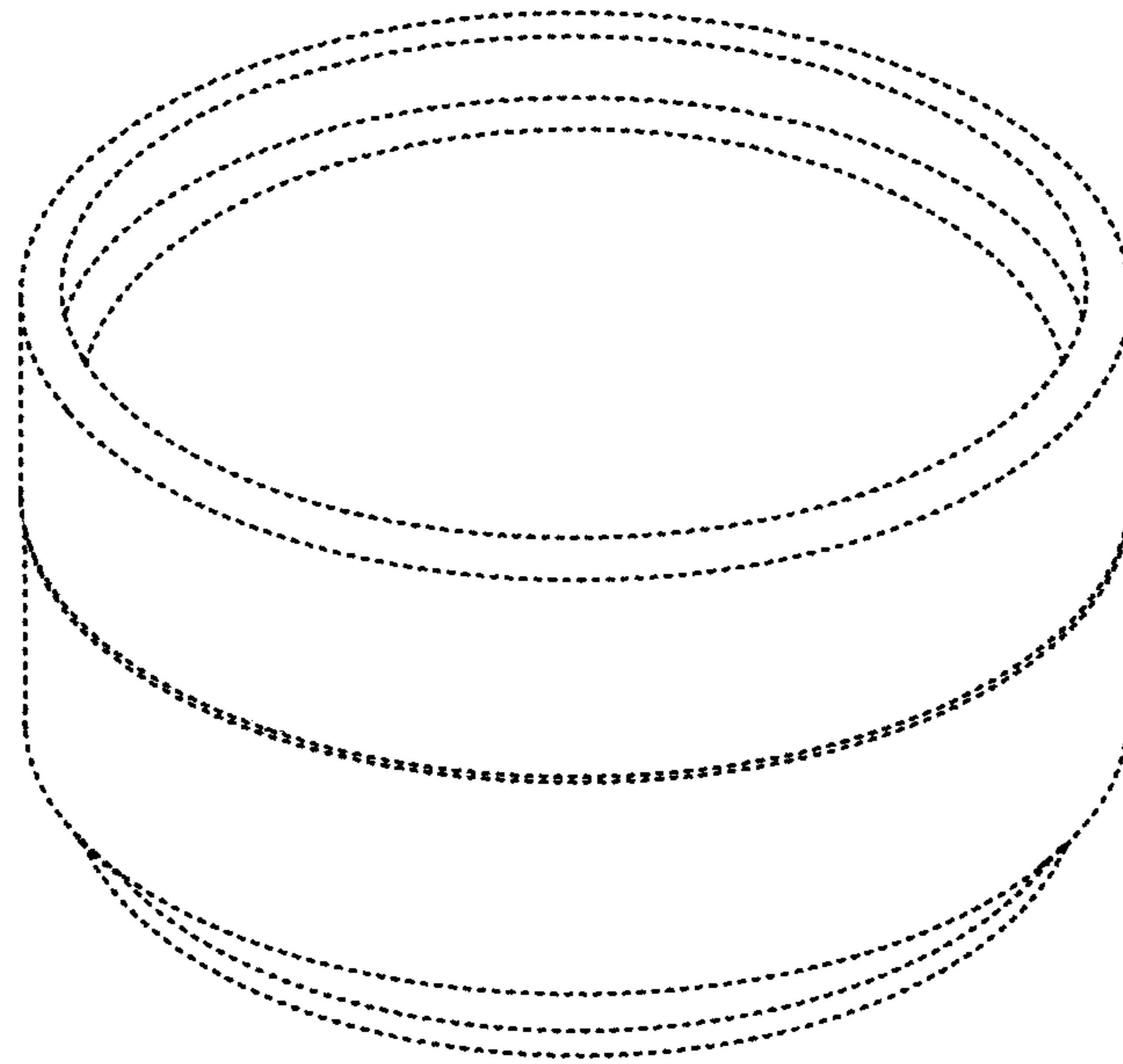


FIG. 1

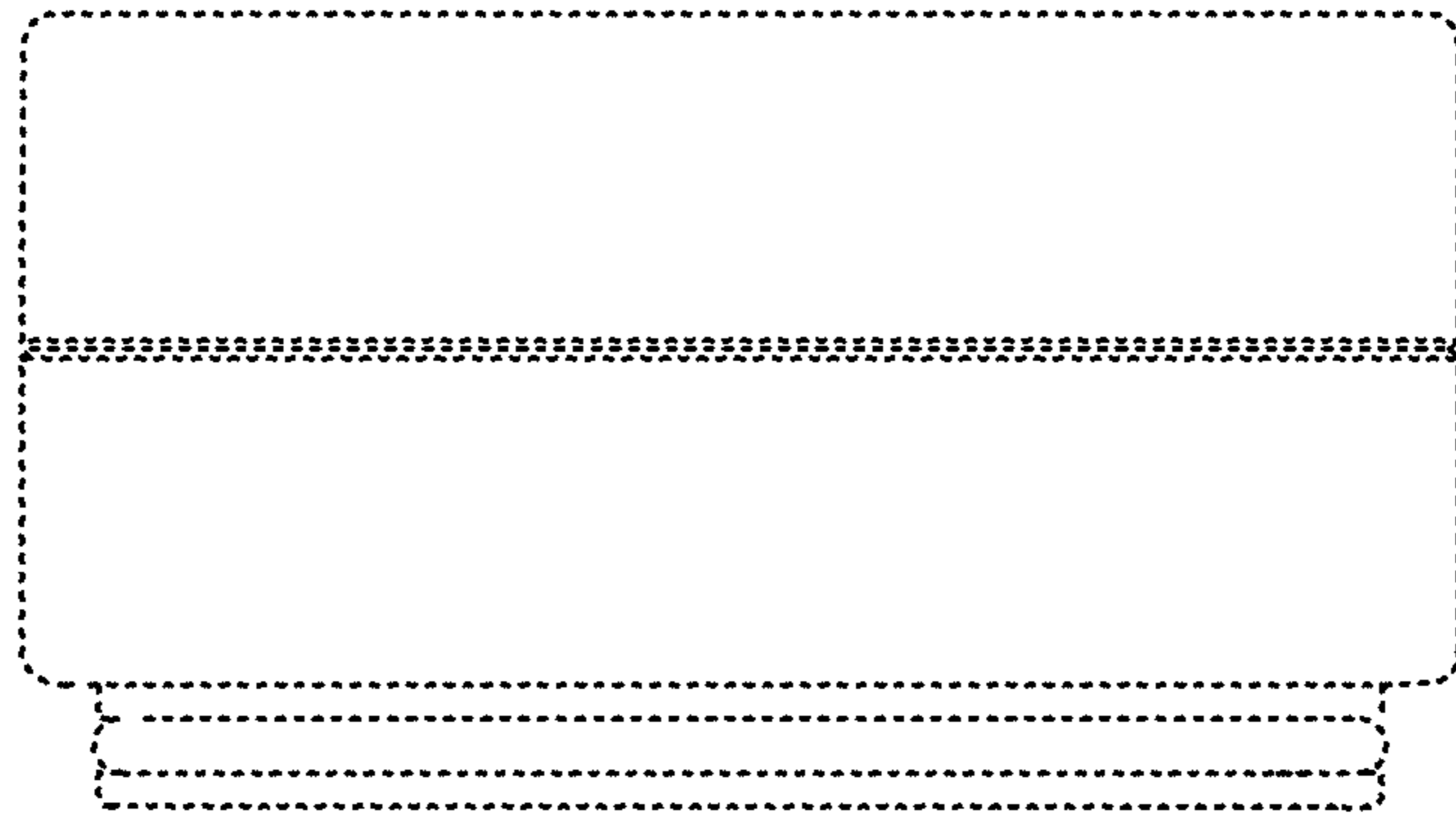


FIG. 2

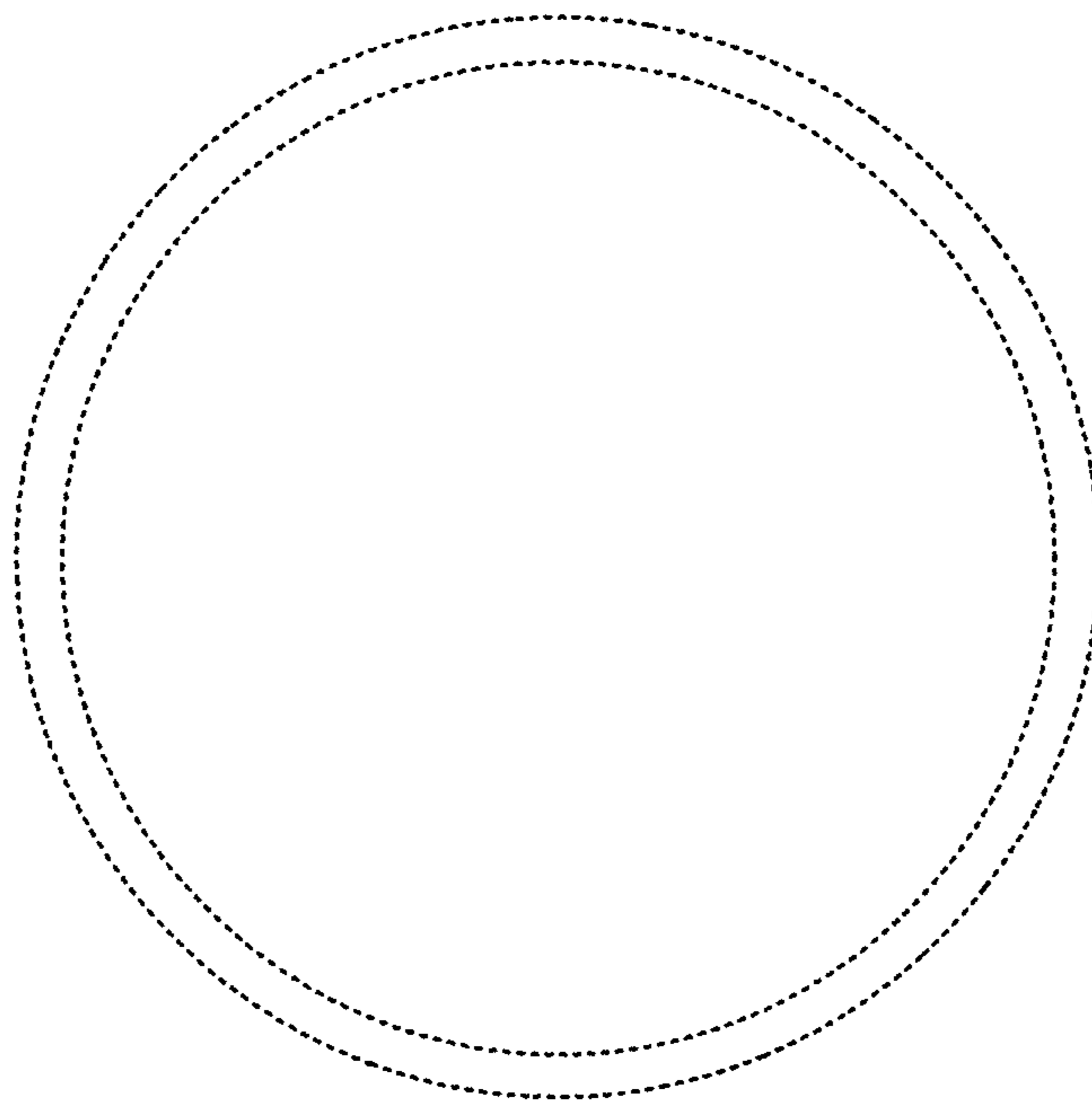


FIG. 3

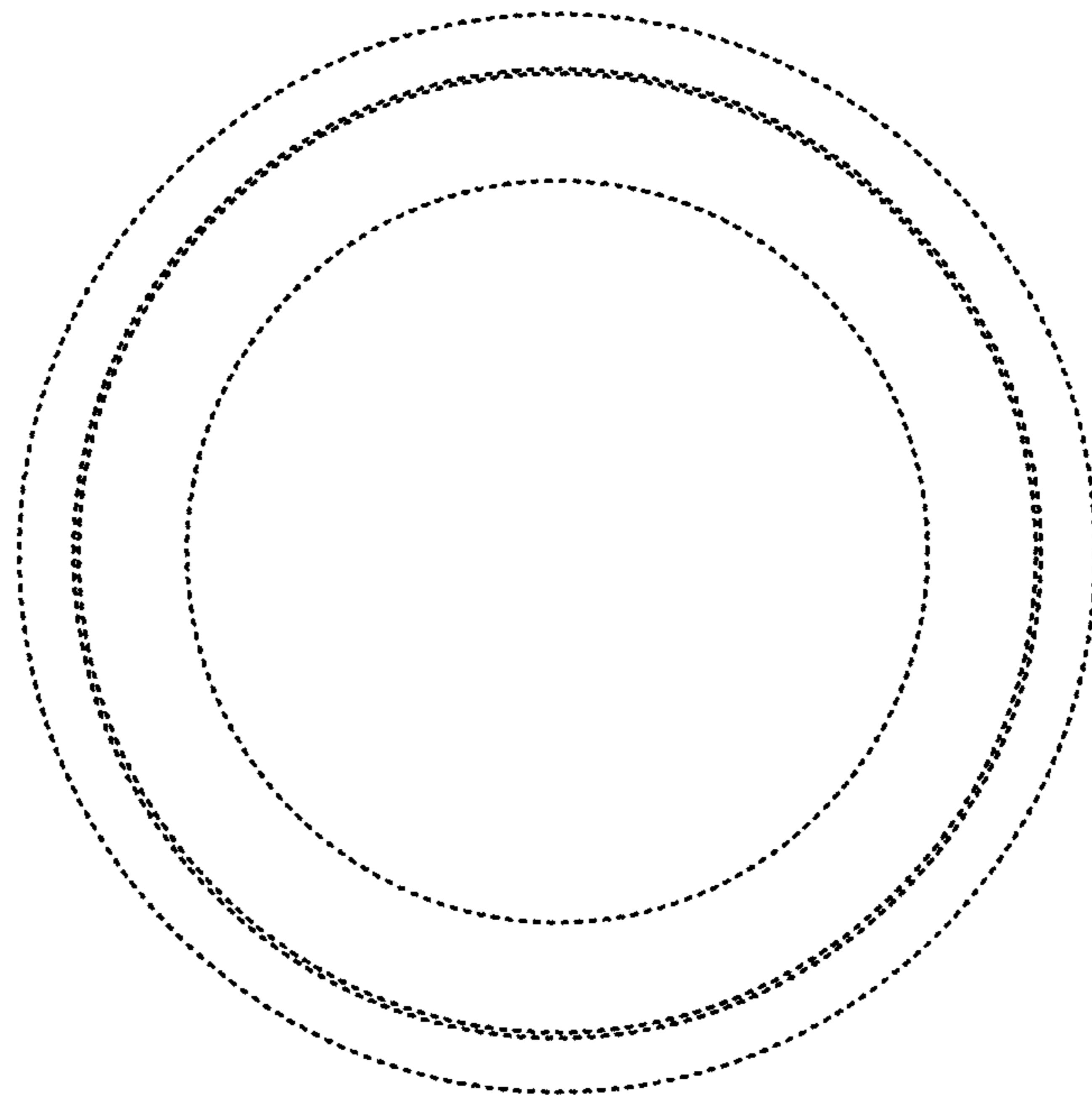


FIG. 4

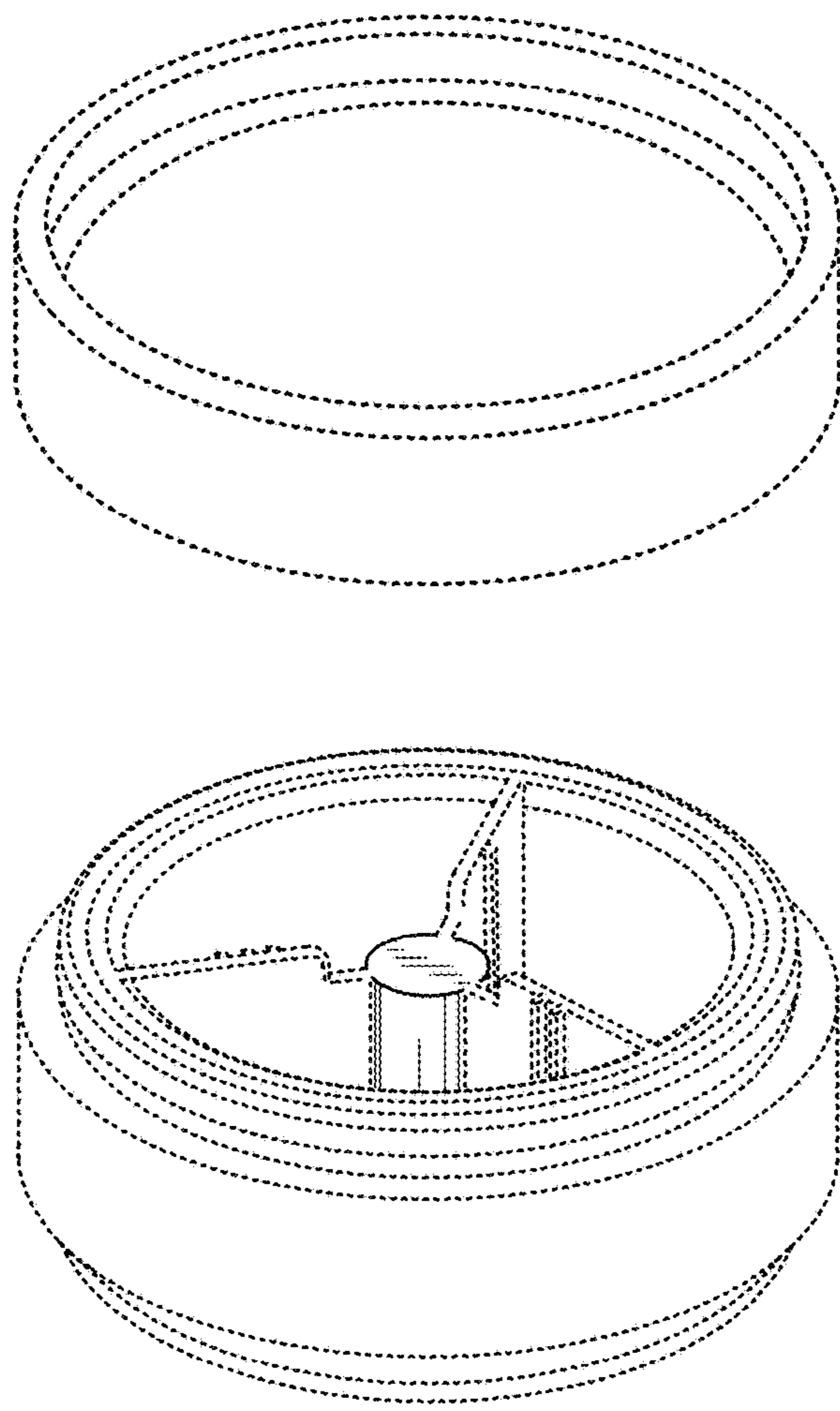


FIG. 5

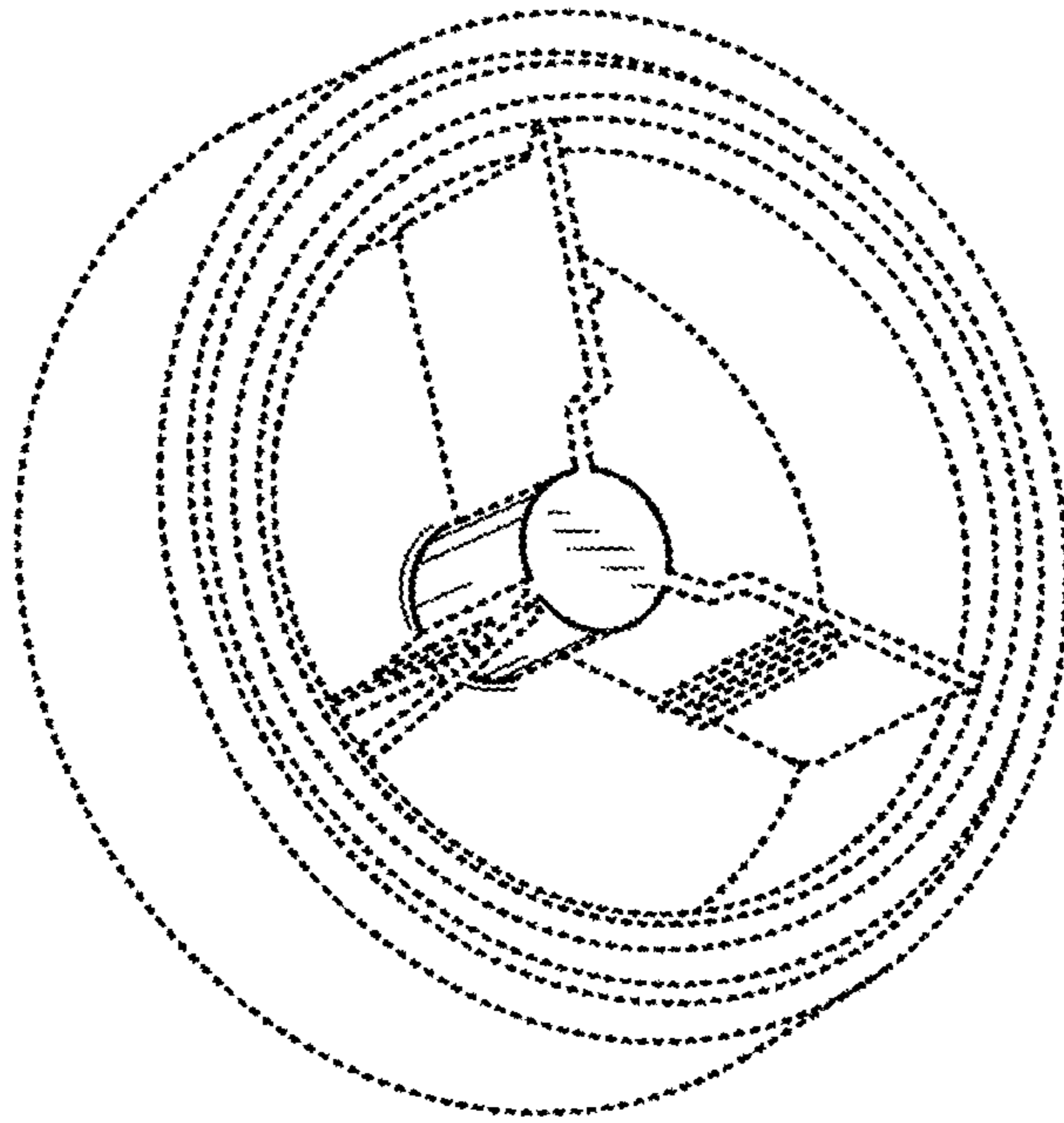


FIG. 6

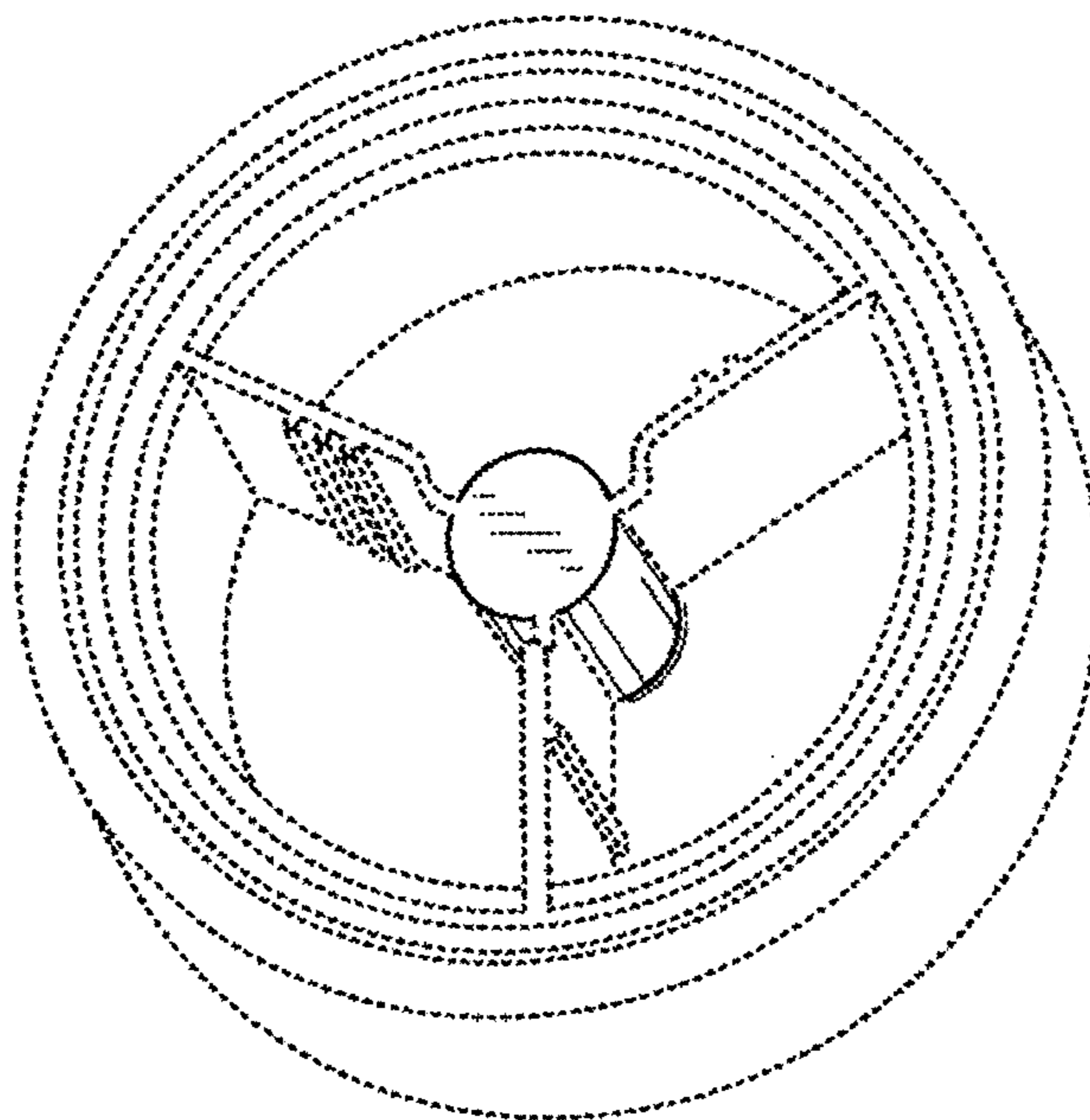


FIG. 7

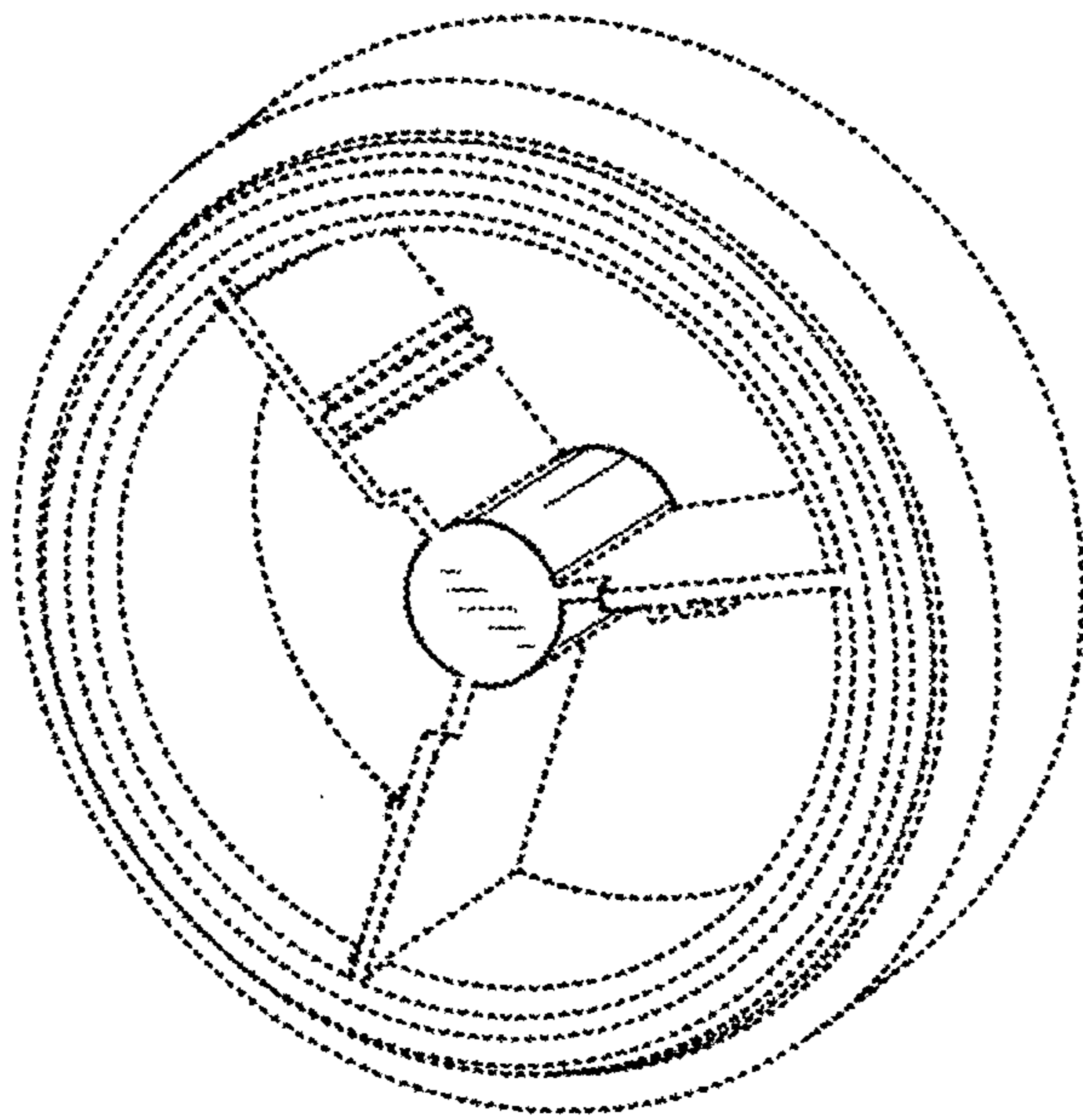


FIG. 8

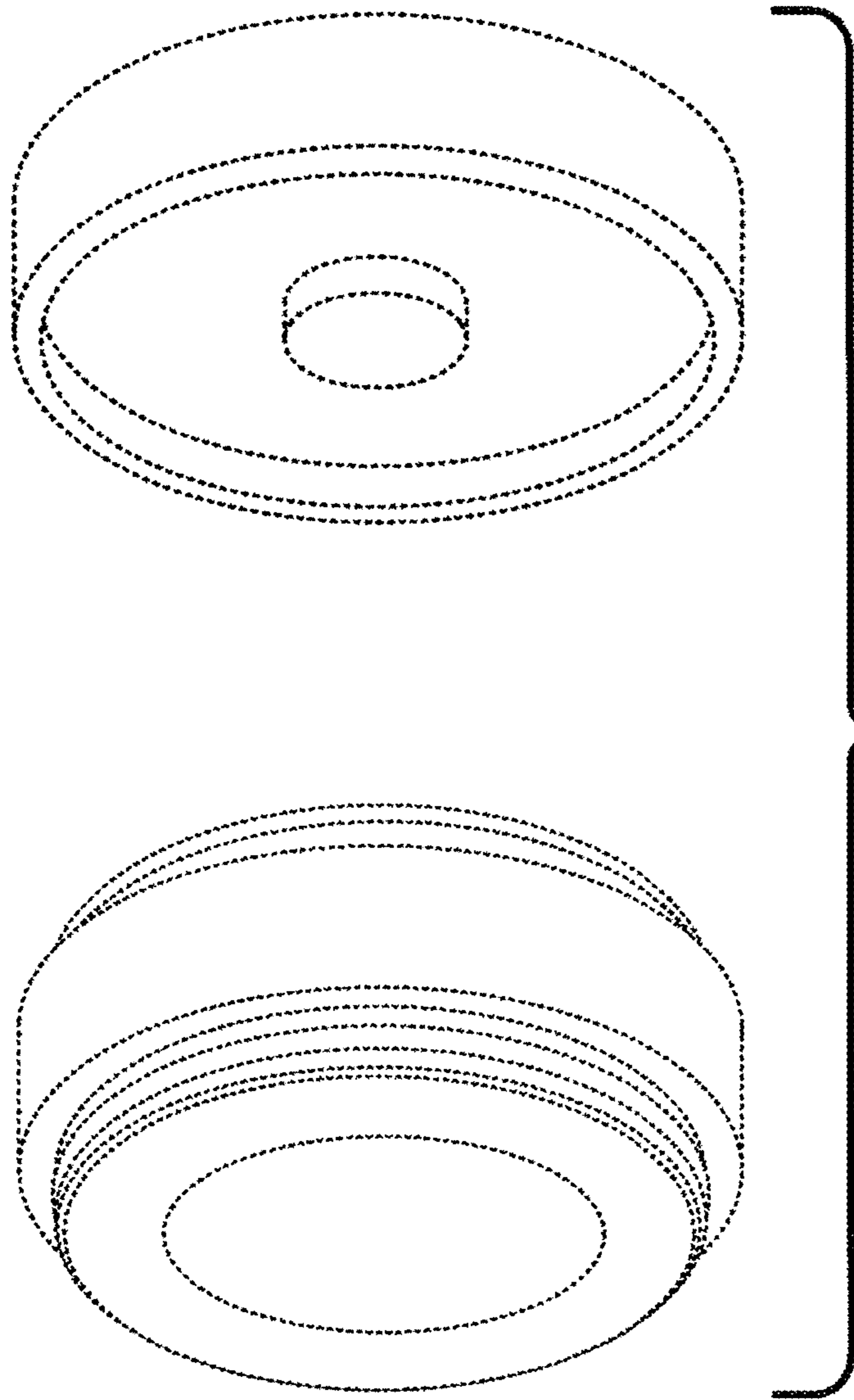
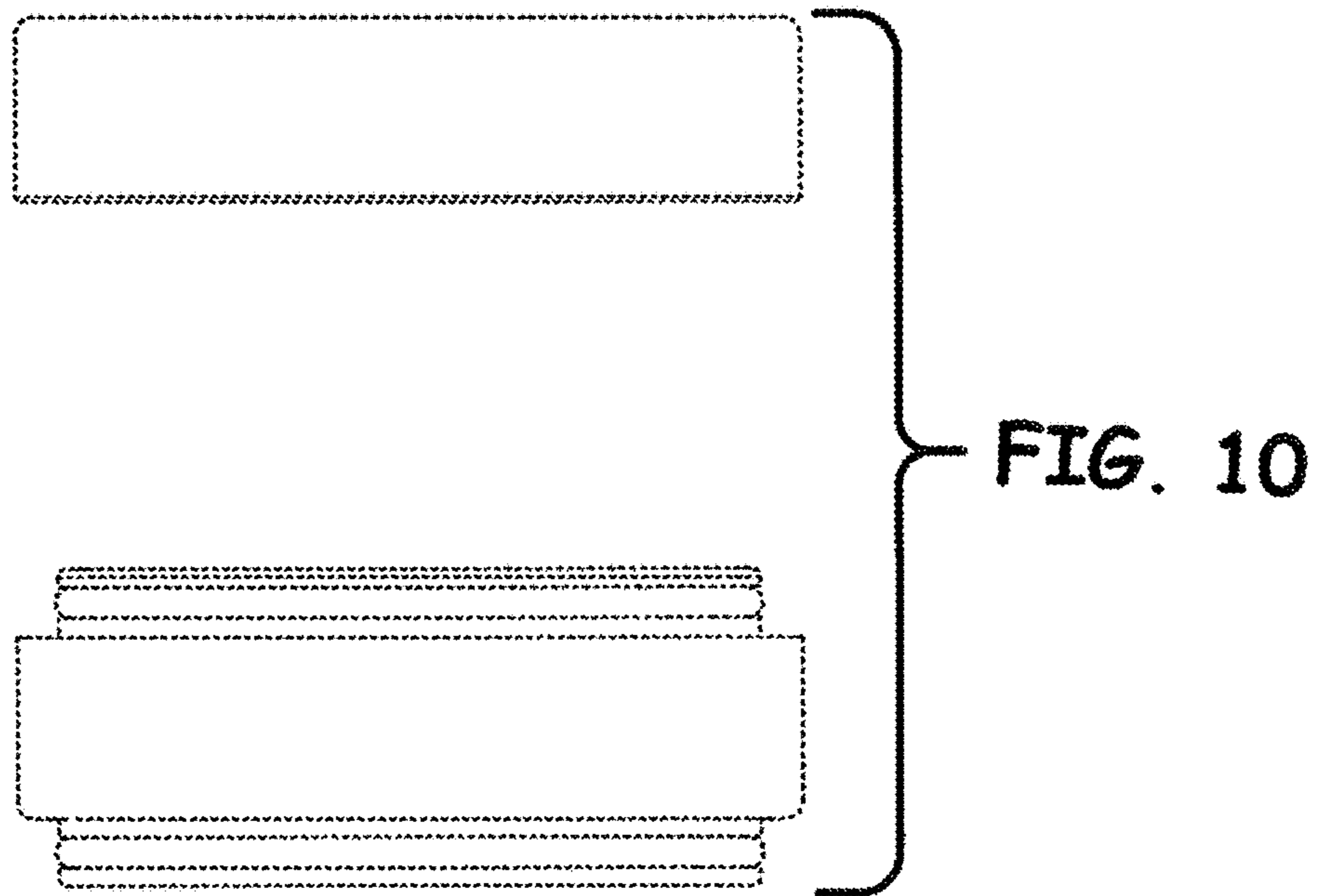


FIG. 9



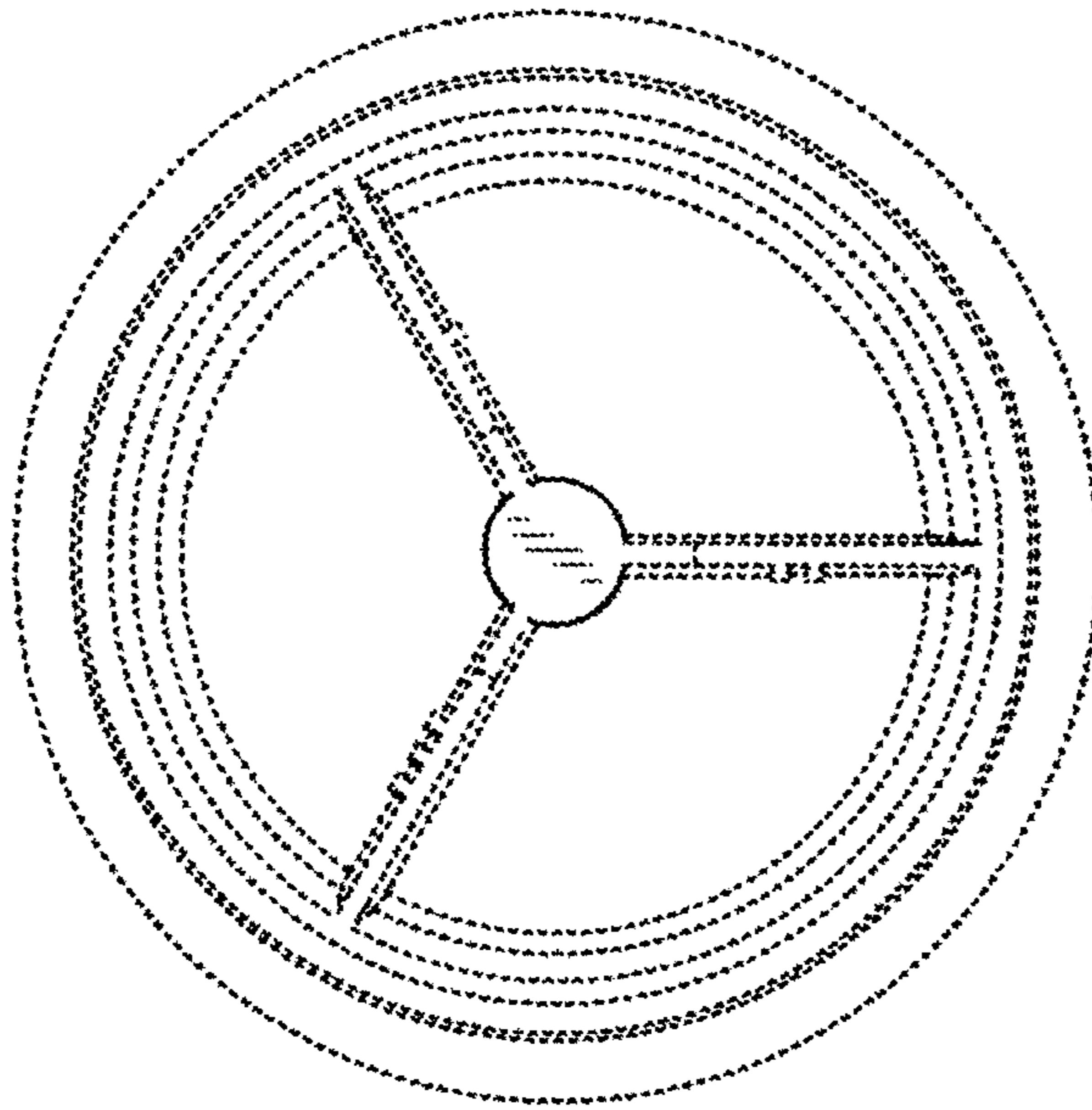


FIG. 11

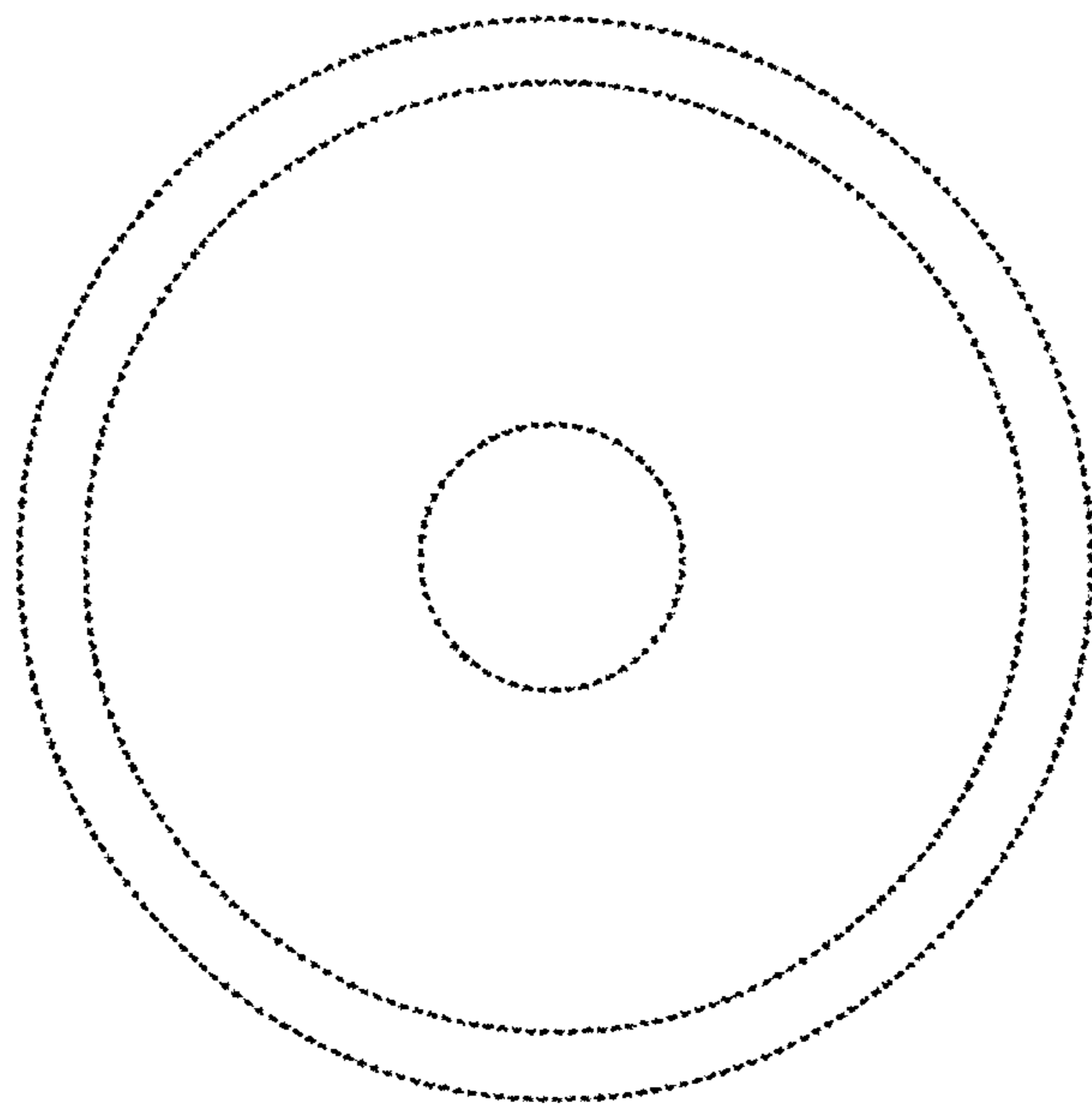


FIG. 12