



US00D779810S

(12) **United States Design Patent**  
**Akin et al.**

(10) **Patent No.:** **US D779,810 S**  
(45) **Date of Patent:** **\*\* Feb. 28, 2017**

- (54) **UMBRELLA WITH SOLAR PANELS**
- (71) Applicant: **ZON**, Manhattan Beach, CA (US)
- (72) Inventors: **Sarah Akin**, Manhattan Beach, CA (US); **David Johnson**, San Francisco, CA (US)
- (73) Assignee: **ZON**, Manhattan Beach, CA (US)
- (\*\*) Term: **14 Years**
- (21) Appl. No.: **29/487,442**
- (22) Filed: **Apr. 8, 2014**

4,193,389 A *	3/1980	Ku	.....	F24J 2/07
				126/636
4,527,721 A *	7/1985	Goldstein	.....	A45B 1/02
				135/16
D336,982 S *	7/1993	Johnson	.....	D3/5
D373,465 S *	9/1996	Chipman	.....	135/33.2
D373,467 S *	9/1996	Chipman	.....	135/33.2
D373,468 S *	9/1996	Dubinsky	.....	D3/5
D396,741 S *	8/1998	Vitali	.....	D3/5
D443,409 S *	6/2001	Pilz	.....	D3/5
7,000,624 B2 *	2/2006	Chang	.....	A45B 3/04
				135/16
D530,269 S *	10/2006	Fowler	.....	D13/102
D561,460 S *	2/2008	Peterson	.....	D3/5
D600,200 S *	9/2009	Dimov	.....	D13/102
8,360,079 B2 *	1/2013	Li	.....	A45B 3/04
				135/16
D680,949 S *	4/2013	Swatek	.....	D13/102

**Related U.S. Application Data**

- (63) Continuation of application No. 29/467,894, filed on Sep. 24, 2013, now Pat. No. Des. 702,037, which is a continuation of application No. 29/461,661, filed on Jul. 26, 2013, now Pat. No. Des. 693,562.
- (51) **LOC (10) Cl.** ..... **03-03**
- (52) **U.S. Cl.**  
USPC ..... **D3/5; D3/10; D13/102**
- (58) **Field of Classification Search**  
USPC ..... **D3/5, 10; 135/15.1, 33.2, 20.1; 320/101; D13/102**  
CPC ... **A45B 23/00; A45B 3/04; A45B 2200/1018; A45B 2200/1027; H02J 7/0047; H02J 7/35**  
See application file for complete search history.

(56) **References Cited**

**U.S. PATENT DOCUMENTS**

1,397,789 A *	11/1921	Stonestreet	.....	A45B 19/02
				135/20.2
D151,655 S *	11/1948	Preaus	.....	D25/57
D248,042 S *	5/1978	Ouelette	.....	D13/102

*Primary Examiner* — John Windmuller

(74) *Attorney, Agent, or Firm* — Aka Chan LLP

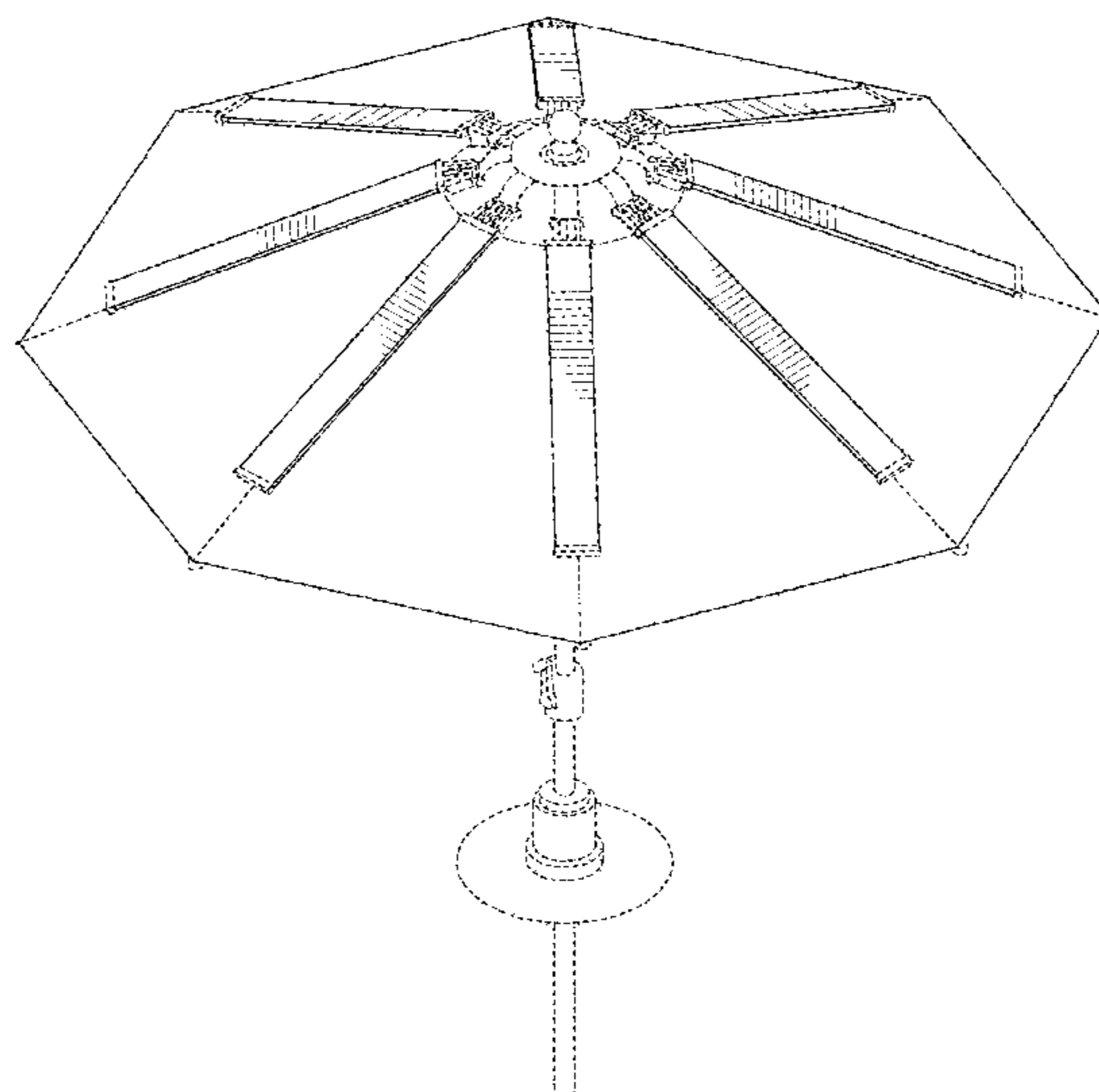
(57) **CLAIM**

The ornamental design for an umbrella with solar panels, as shown and described.

**DESCRIPTION**

FIG. 1 shows a perspective view of a first embodiment of a design for an umbrella with solar panels.  
 FIG. 2 shows a top view of FIG. 1.  
 FIG. 3 shows a side view of FIG. 1.  
 FIG. 4 shows a perspective view of a second embodiment of a design for an umbrella with solar panels.  
 FIG. 5 shows a top view of FIG. 4; and,  
 FIG. 6 shows a side view of FIG. 4.  
 The broken lines in the figures depict portions of the umbrella with solar panels that form no part of the claimed design.

**1 Claim, 6 Drawing Sheets**



(56)

**References Cited**

U.S. PATENT DOCUMENTS

D681,548 S *	5/2013	Zhang .....	D13/102
D688,621 S *	8/2013	Mozzardi .....	D13/102
D701,828 S *	4/2014	Garrett-Schesch .....	D13/102
D701,829 S *	4/2014	Garrett-Schesch .....	D13/102
8,695,614 B2 *	4/2014	Chaimovski .....	A45B 23/00 135/16
D724,524 S *	3/2015	Garrett-Schesch .....	D13/102
D728,466 S *	5/2015	Ehram .....	D13/102
9,088,181 B2 *	7/2015	Akin .....	H02J 7/35
2005/0161067 A1 *	7/2005	Hollins .....	A45B 23/00 135/16
2009/0058354 A1 *	3/2009	Harrison .....	A45B 3/00 320/101

\* cited by examiner

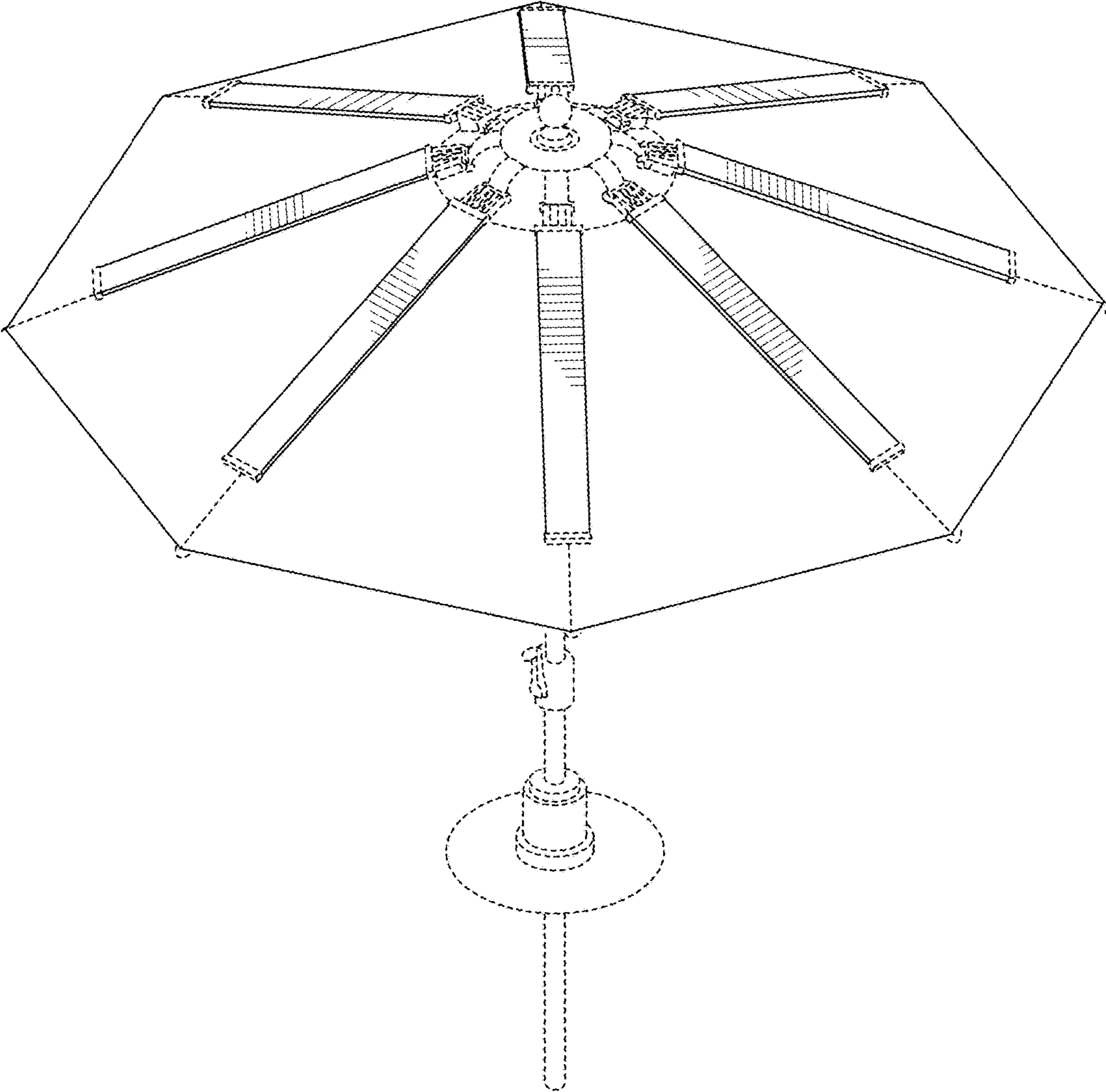


FIG. 1

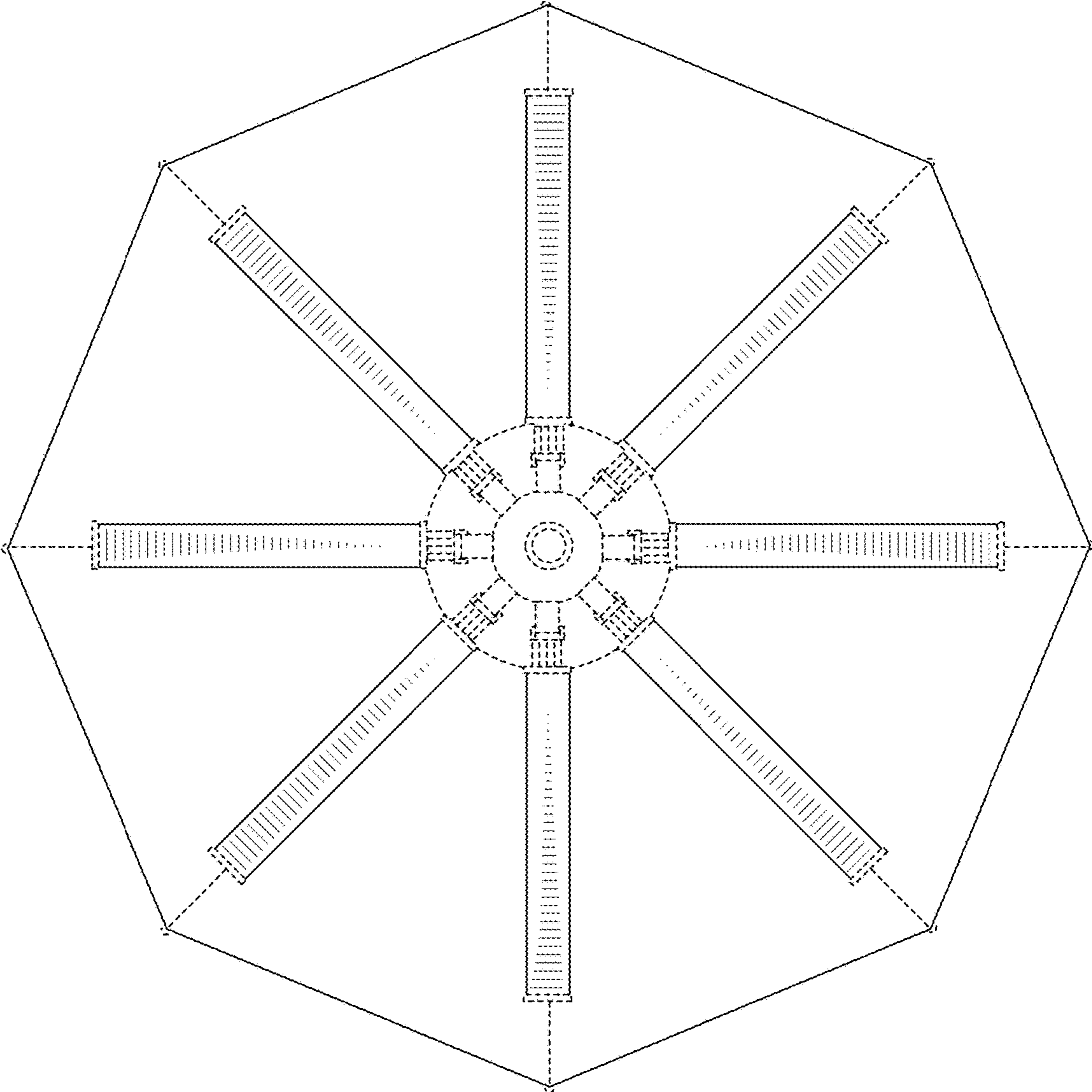


FIG. 2

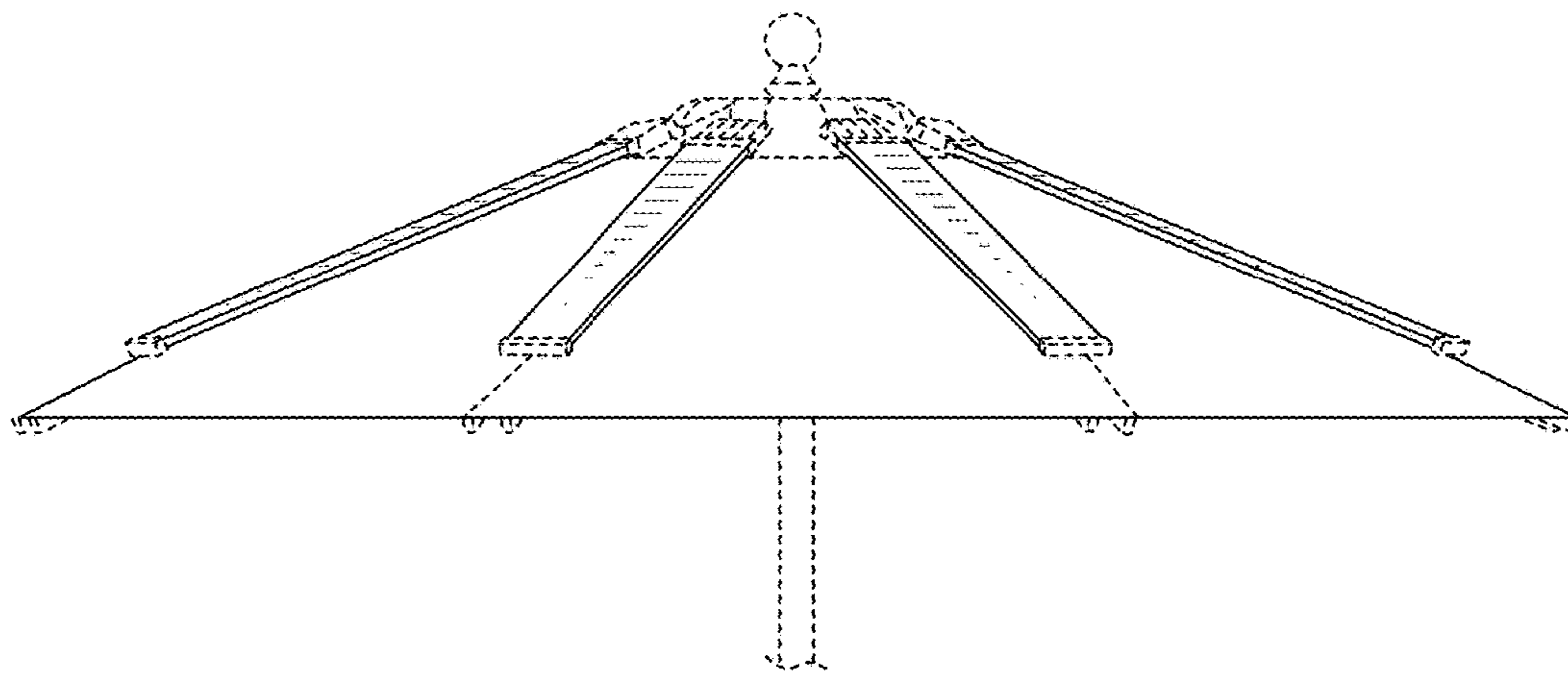


FIG. 3

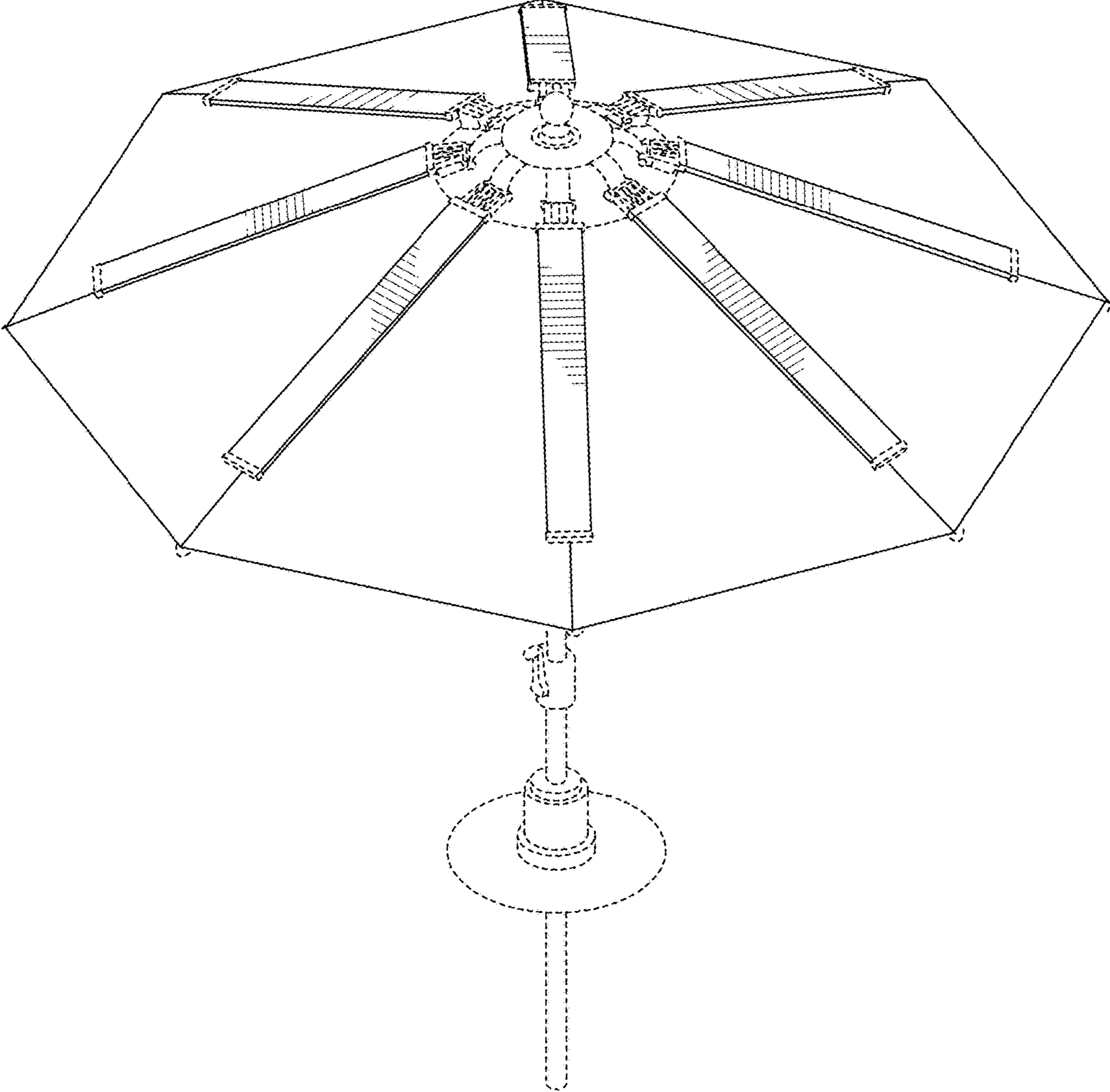


FIG. 4

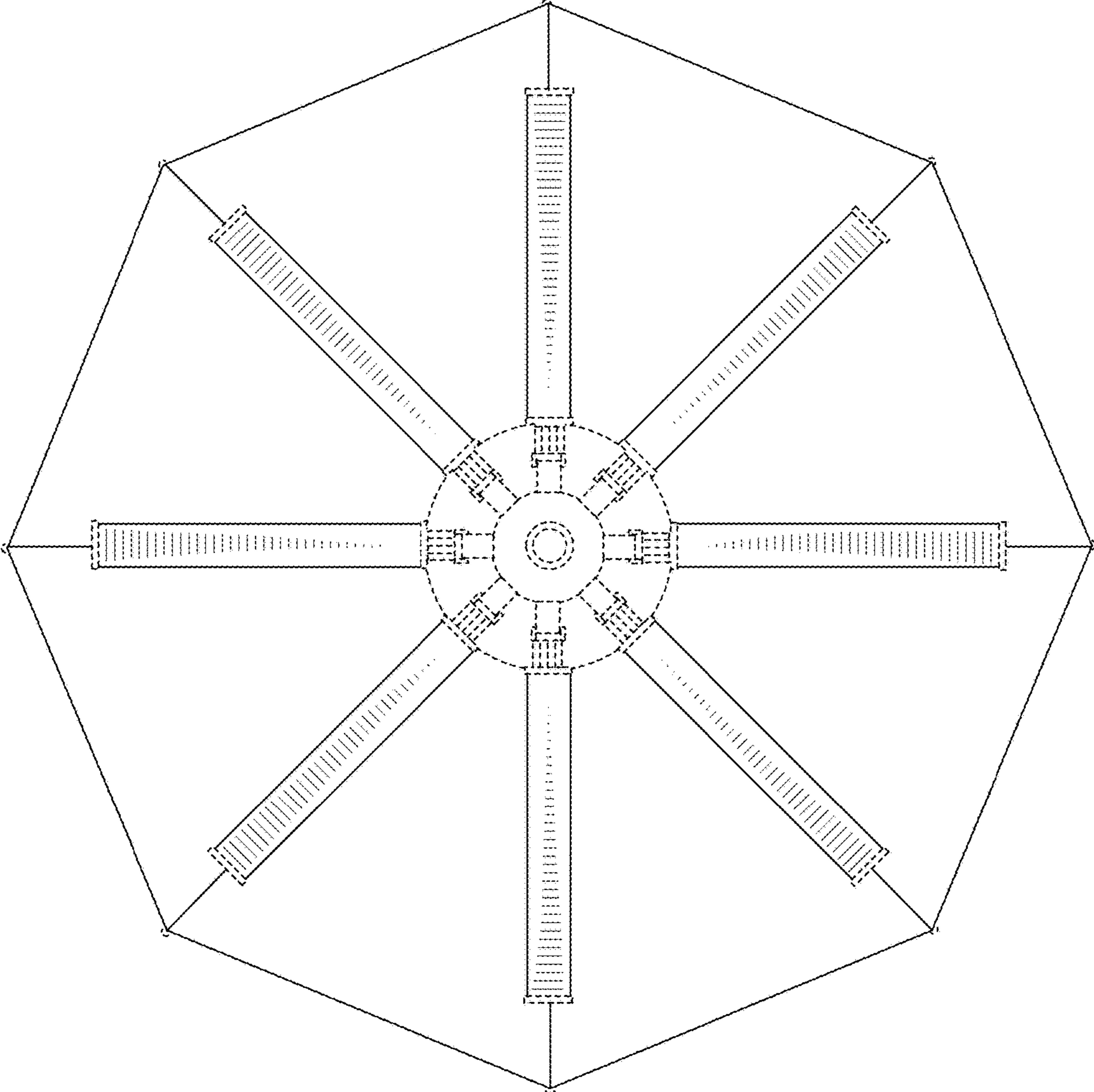


FIG. 5

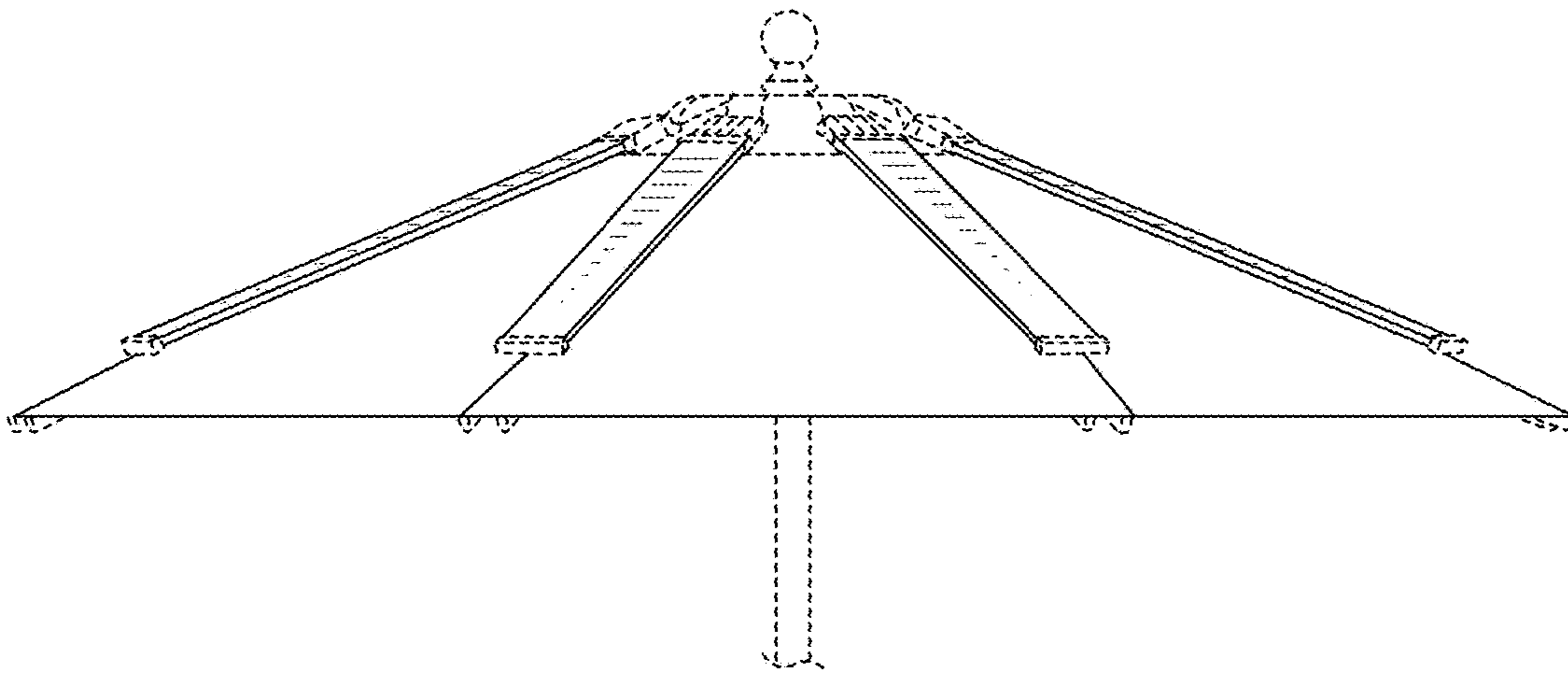


FIG. 6