



US00D779807S

(12) **United States Design Patent**
Miller

(10) **Patent No.:** **US D779,807 S**

(45) **Date of Patent:** **** Feb. 28, 2017**

(54) **SHOE UPPER**

(71) Applicant: **Holster Fashion Pty Ltd.**, Queensland (AU)

(72) Inventor: **Natalie Jean Miller**, Queensland (AU)

(73) Assignee: **HOLSTER FASHION PTY LTD.**, Queensland (AU)

(**) Term: **15 Years**

(21) Appl. No.: **29/545,064**

(22) Filed: **Nov. 9, 2015**

(51) **LOC (10) Cl.** **02-04**

(52) **U.S. Cl.**
USPC **D2/969; D2/917**

(58) **Field of Classification Search**
USPC D02/896, 916-918, 925-933, 969, 971
CPC .. A43B 3/10; A43B 3/122; A43B 3/24; A43B 3/12
See application file for complete search history.

(56) **References Cited**

U.S. PATENT DOCUMENTS

2,928,191 A * 3/1960 Meltzer A43B 3/103
2/265
4,813,162 A * 3/1989 Harris A43B 3/108
36/11.5

D305,176 S * 12/1989 Campbell D2/916
D548,933 S * 8/2007 Choi D2/917
D557,485 S * 12/2007 Kelsey D2/917
D640,458 S * 6/2011 Juang D2/917
D665,155 S * 8/2012 Arnold D2/917

* cited by examiner

Primary Examiner — Ian Simmons

Assistant Examiner — Rashida C Walshon

(74) *Attorney, Agent, or Firm* — Bruce Stone LLP;
Joseph A. Bruce

(57) **CLAIM**

The ornamental design for a shoe upper, as shown and described.

DESCRIPTION

FIG. 1 is a perspective view of a shoe upper showing my new design;

FIG. 2 is a front view thereof;

FIG. 3 is a rear view thereof;

FIG. 4 is a left side view thereof;

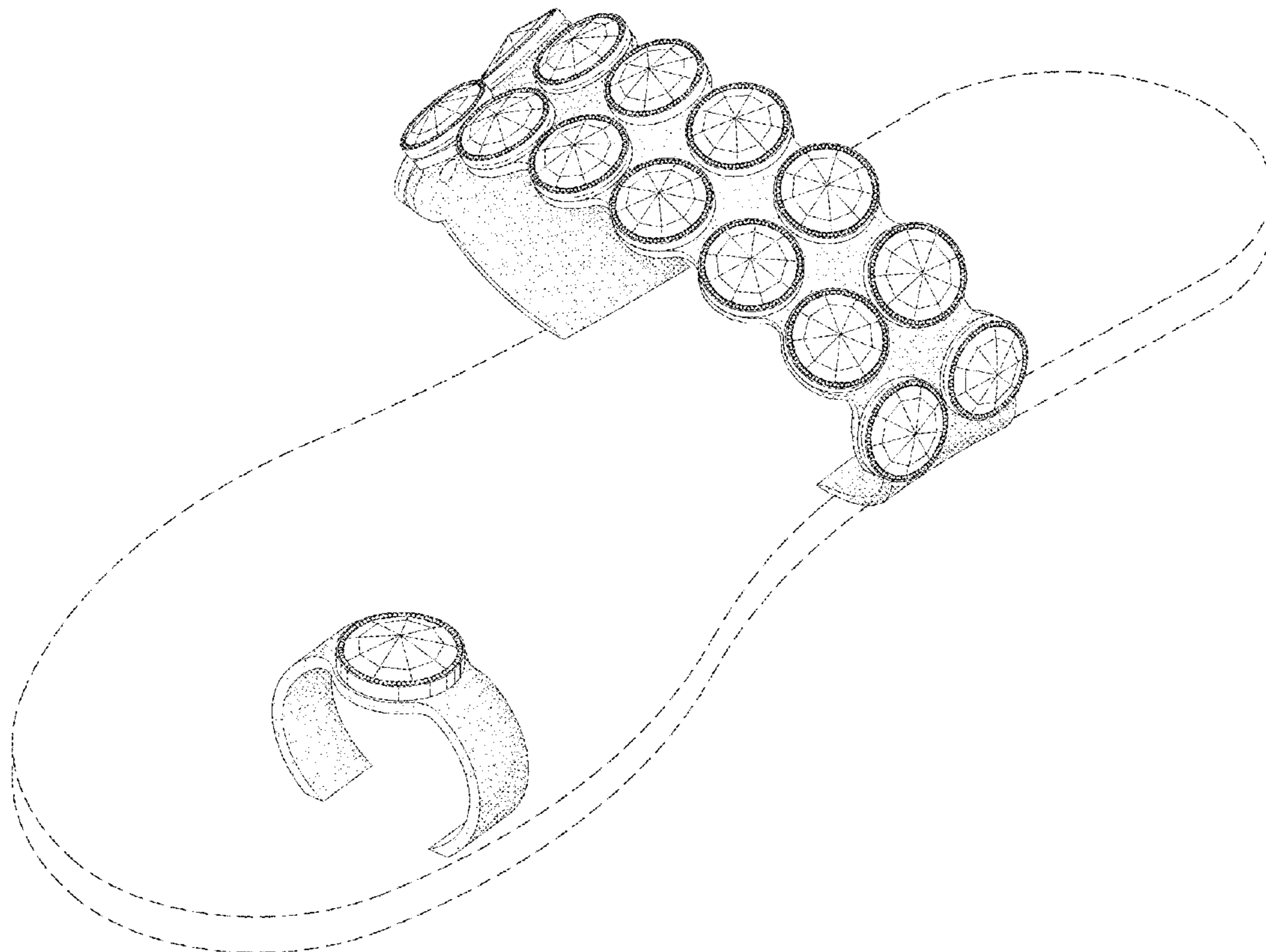
FIG. 5 is a right side view thereof;

FIG. 6 is a top plan view thereof; and,

FIG. 7 is a bottom plan view thereof.

The broken lines forming the shoe sole in the drawings represent unclaimed subject matter and form no part of the claim.

1 Claim, 5 Drawing Sheets



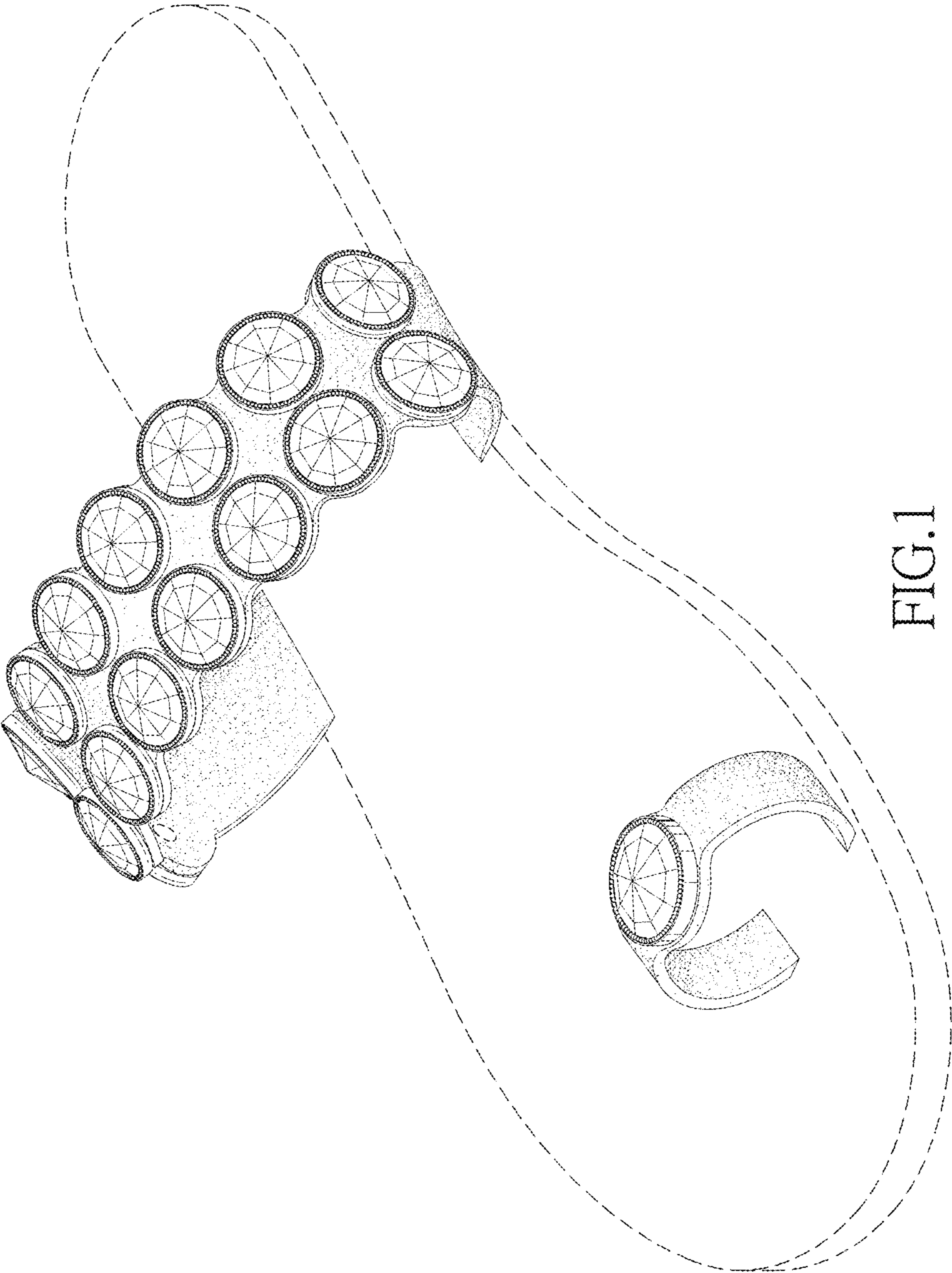


FIG.1

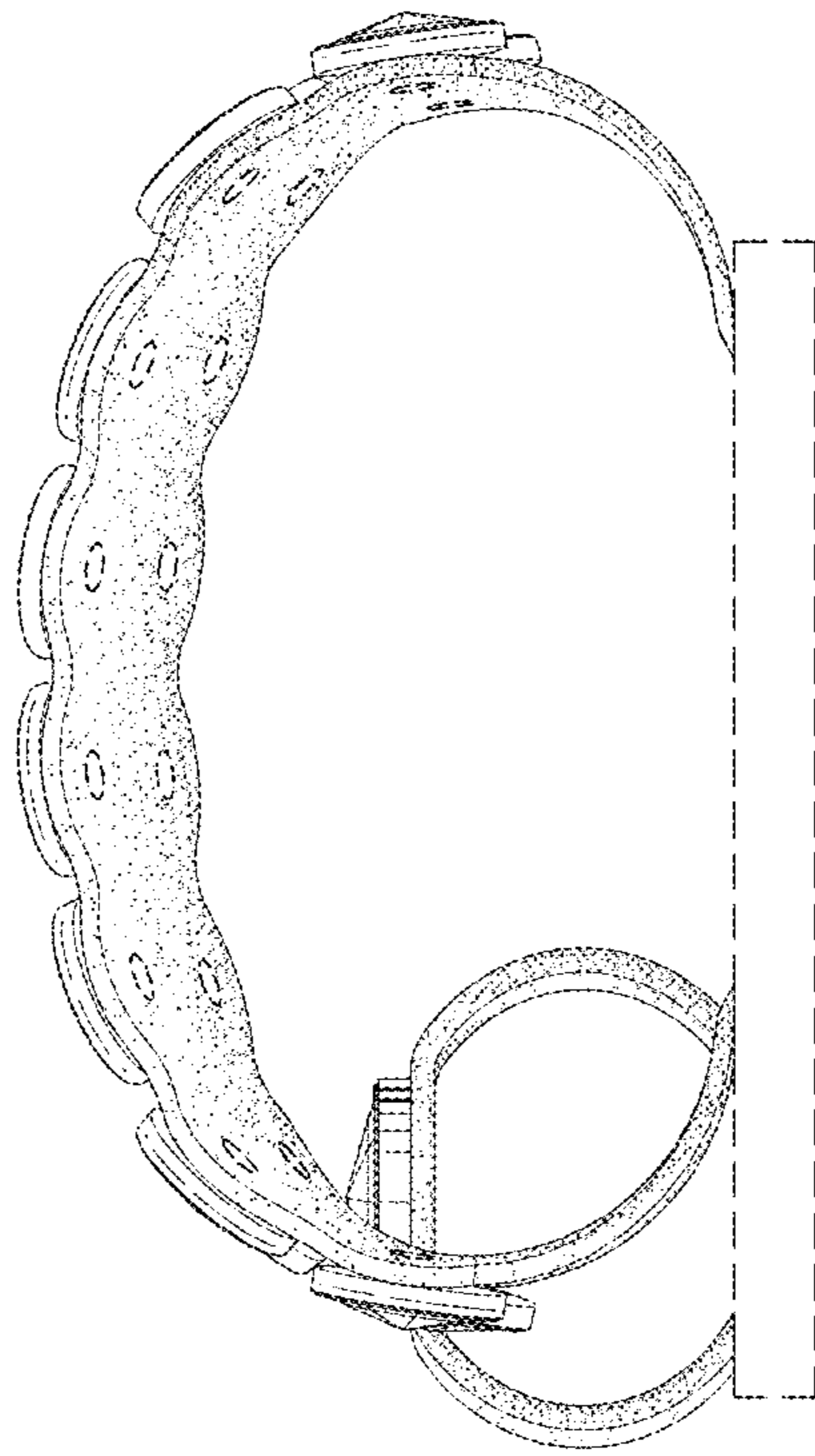


FIG. 2

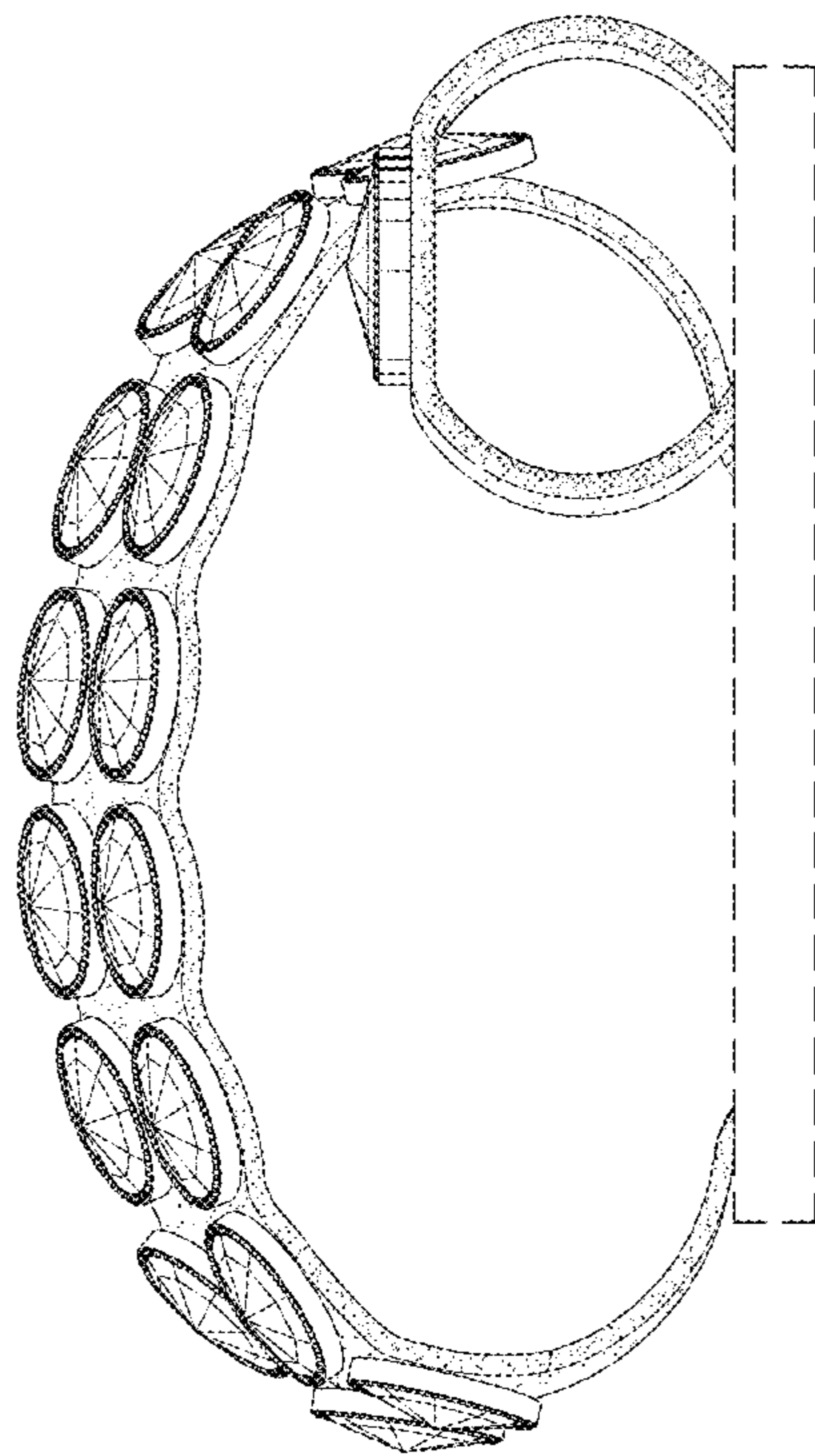


FIG. 3

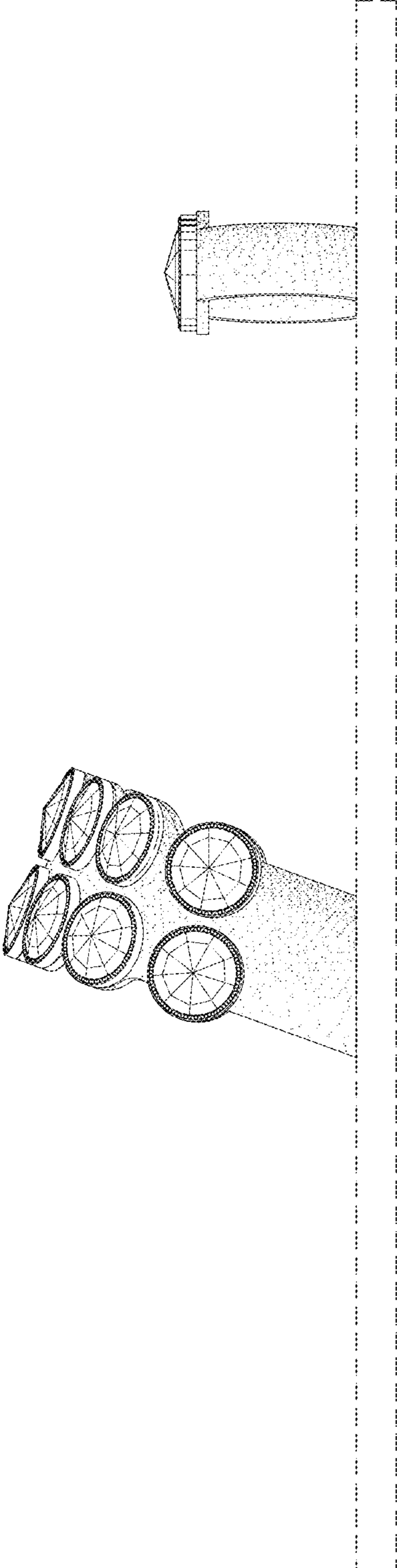


FIG. 4

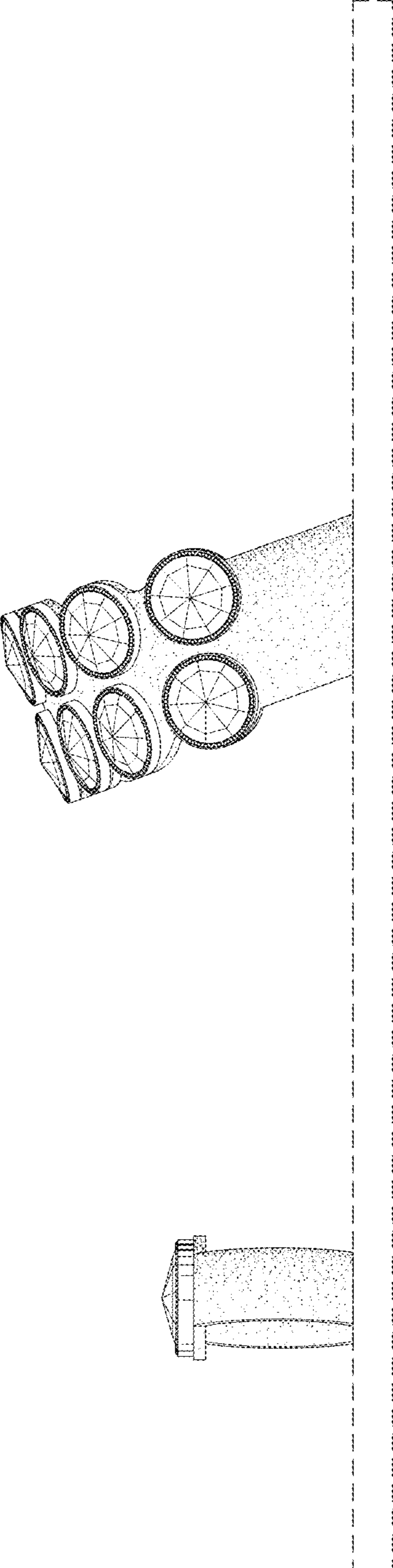


FIG. 5

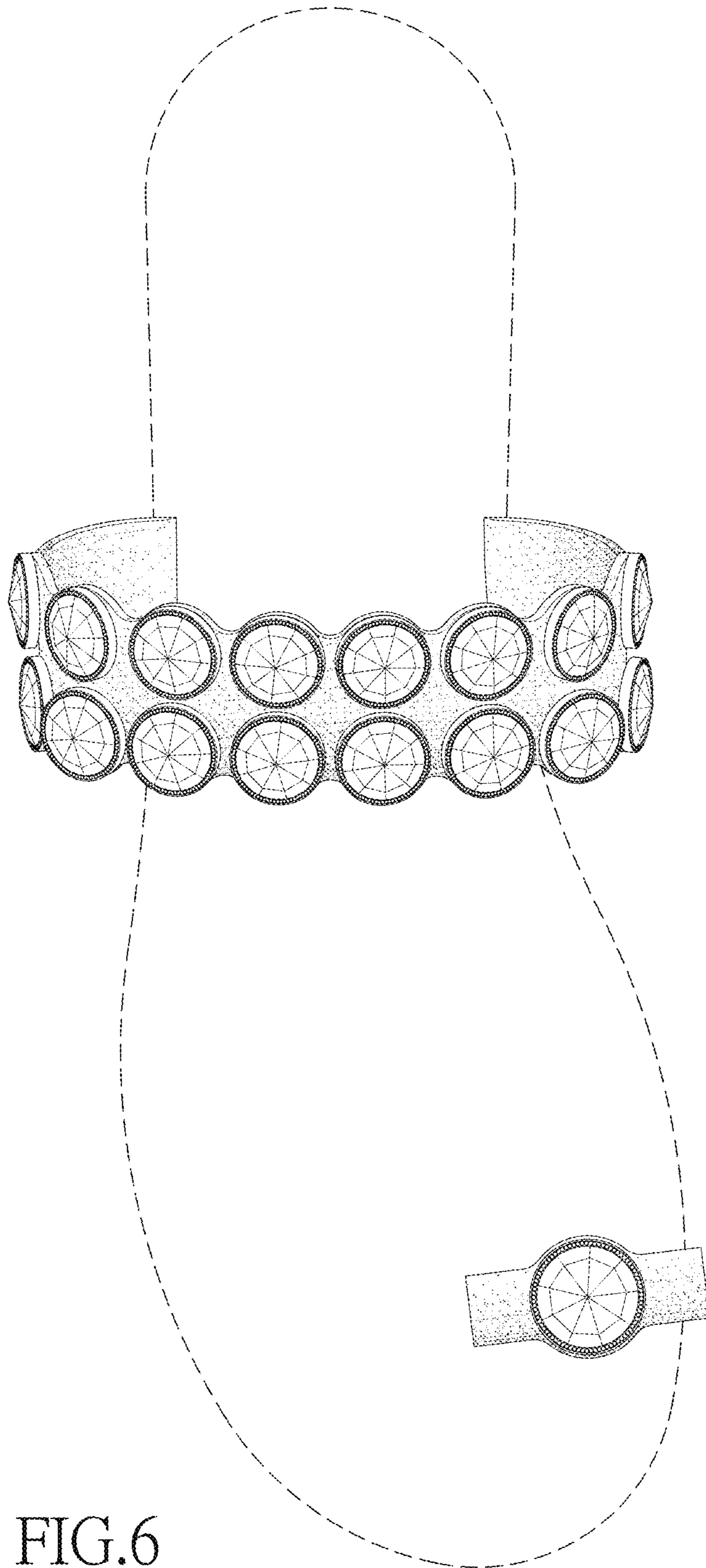


FIG. 6

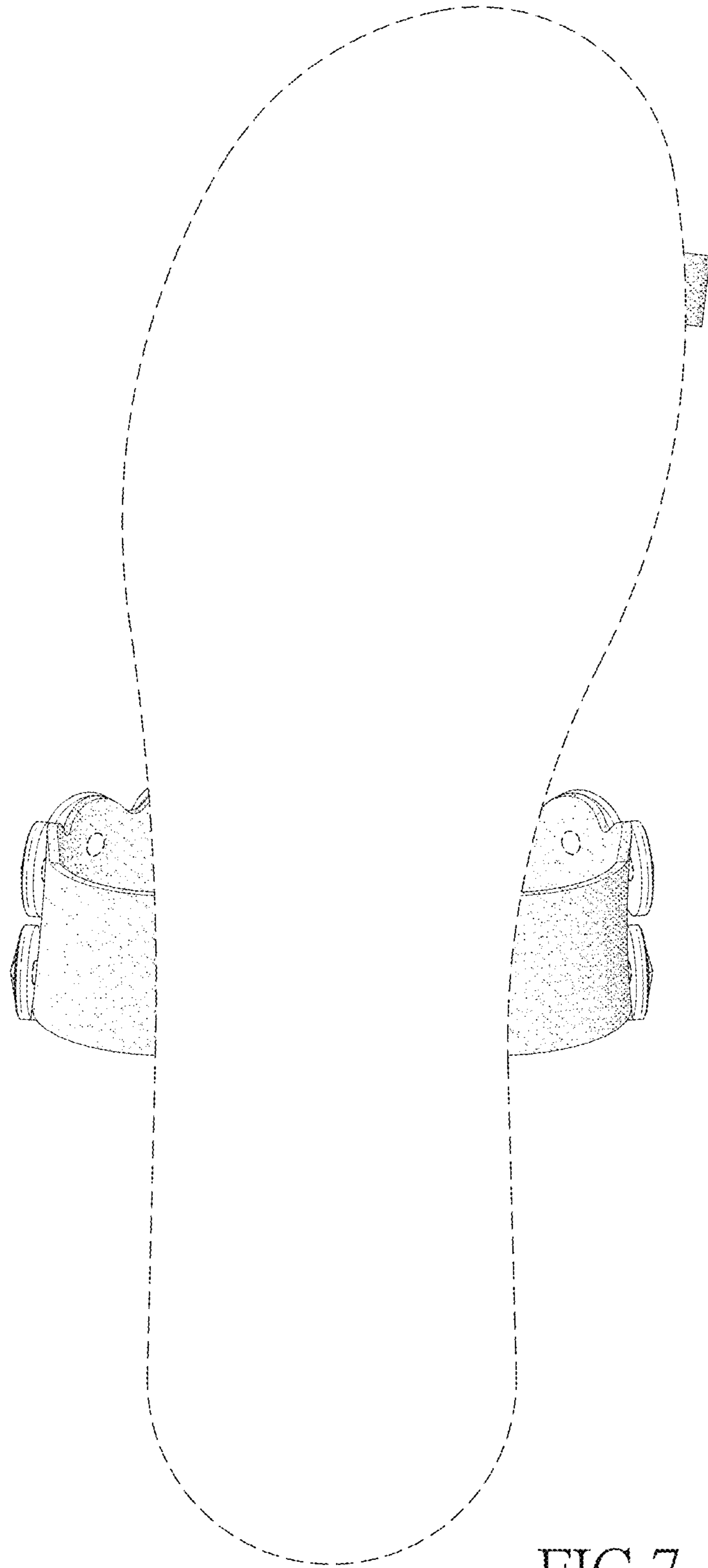


FIG.7