



US00D779805S

(12) **United States Design Patent**
Mokos et al.

(10) **Patent No.:** **US D779,805 S**

(45) **Date of Patent:** **** Feb. 28, 2017**

- (54) **SHOE SOLE**
- (71) Applicant: **Cole Haan LLC**, New York, NY (US)
- (72) Inventors: **Jeffrey Mokos**, Greenland, NH (US);
Piers Helmore, Greenland, NH (US);
Scott Patt, Greenland, NH (US)
- (73) Assignee: **COLE HAAN LLC**, New York, NY (US)

(**) Term: **15 Years**

(21) Appl. No.: **29/552,665**

(22) Filed: **Jan. 25, 2016**

(51) **LOC (10) Cl.** **02-04**

(52) **U.S. Cl.**

USPC **D2/960**; D2/947; D2/951; D2/953

(58) **Field of Classification Search**

USPC 36/3 B, 22 R, 24.5, 25 R, 28, 32 R, 34 R,
36/59 C, 67 A, 103

CPC A43B 13/00; A43B 13/02; A43B 13/023;
A43B 13/026; A43B 13/04; A43B 13/08;
A43B 13/10; A43B 13/12; A43B 13/14;
A43B 13/141; A43B 13/143; A43B 13/16;
A43B 13/18; A43B 13/181; A43B 13/187;
A43B 13/189; A43B 13/20; A43B 13/22;
A43B 13/223; A43B 13/24; A43B 13/28;
A43B 13/30; A43B 13/32; A43B 13/34;
A43B 13/36

See application file for complete search history.

(56) **References Cited**

U.S. PATENT DOCUMENTS

- 299,840 A 6/1884 Norman
- 576,232 A * 2/1897 Slomka A43B 7/081
36/3 B
- 1,169,085 A 1/1916 Davis

- D88,865 S * 1/1933 Fowler D2/959
- 2,236,278 A 3/1941 Tousley
- D133,176 S 7/1942 Gregg
- 2,295,763 A 9/1942 Sperry
- 2,364,691 A 12/1944 Cagney
- D163,071 S 4/1951 Schrage
- 2,833,057 A 5/1958 Hack
- 2,937,462 A 5/1960 Hack
- D190,162 S 4/1961 Holland
- 2,981,011 A 4/1961 Lombardo
- 3,006,085 A 10/1961 Bingham

(Continued)

OTHER PUBLICATIONS

European Union Community Design No. 002847681-0001 downloaded from DesignView database on May 26, 2016.

(Continued)

Primary Examiner — T. Chase Nelson

(74) *Attorney, Agent, or Firm* — Thompson Coburn LLP; Alan Norman

(57) **CLAIM**

The ornamental design for a shoe sole, as shown and described.

DESCRIPTION

FIG. 1 is a bottom plan view of a shoe sole showing our new design;

FIG. 2 is a top plan view thereof;

FIG. 3 is a lateral side elevational view thereof;

FIG. 4 is a medial side elevational view thereof;

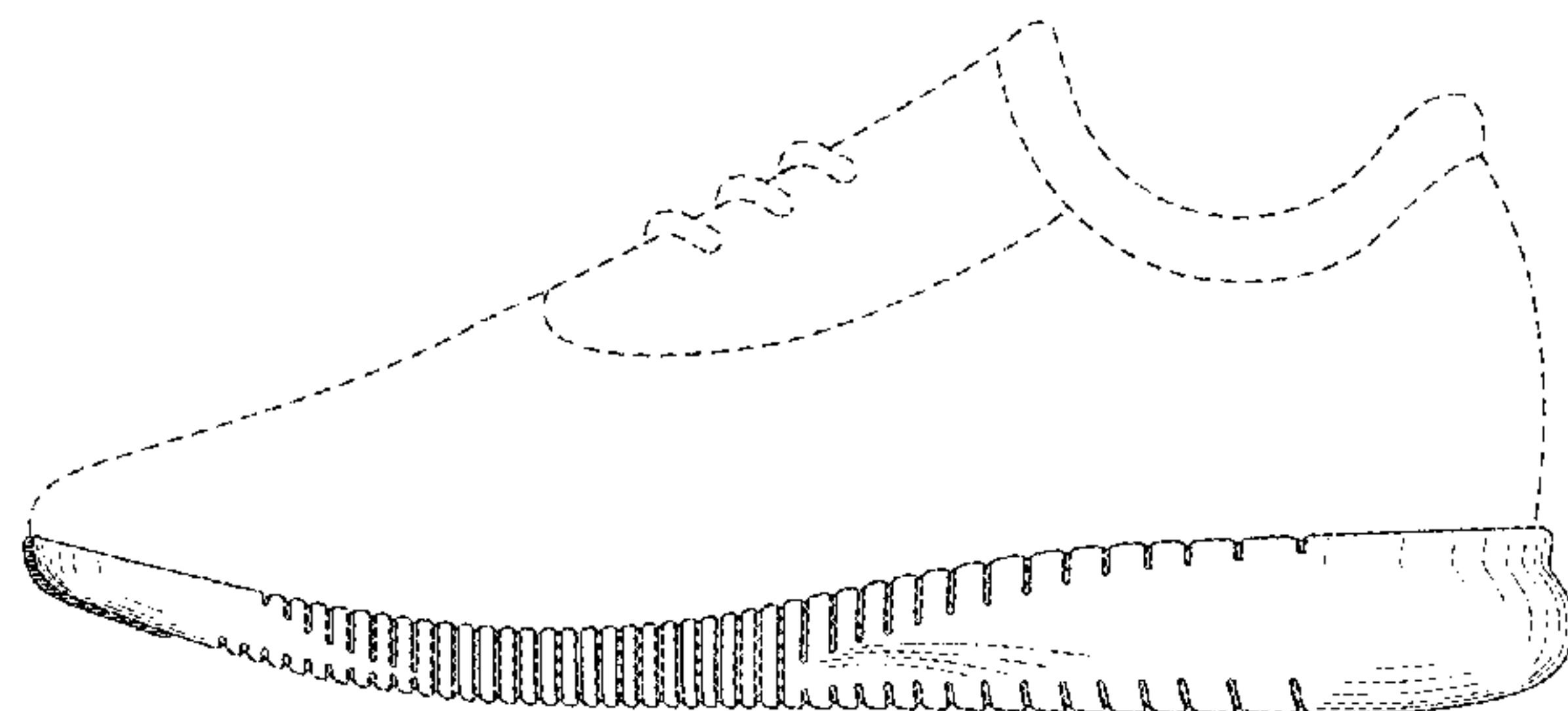
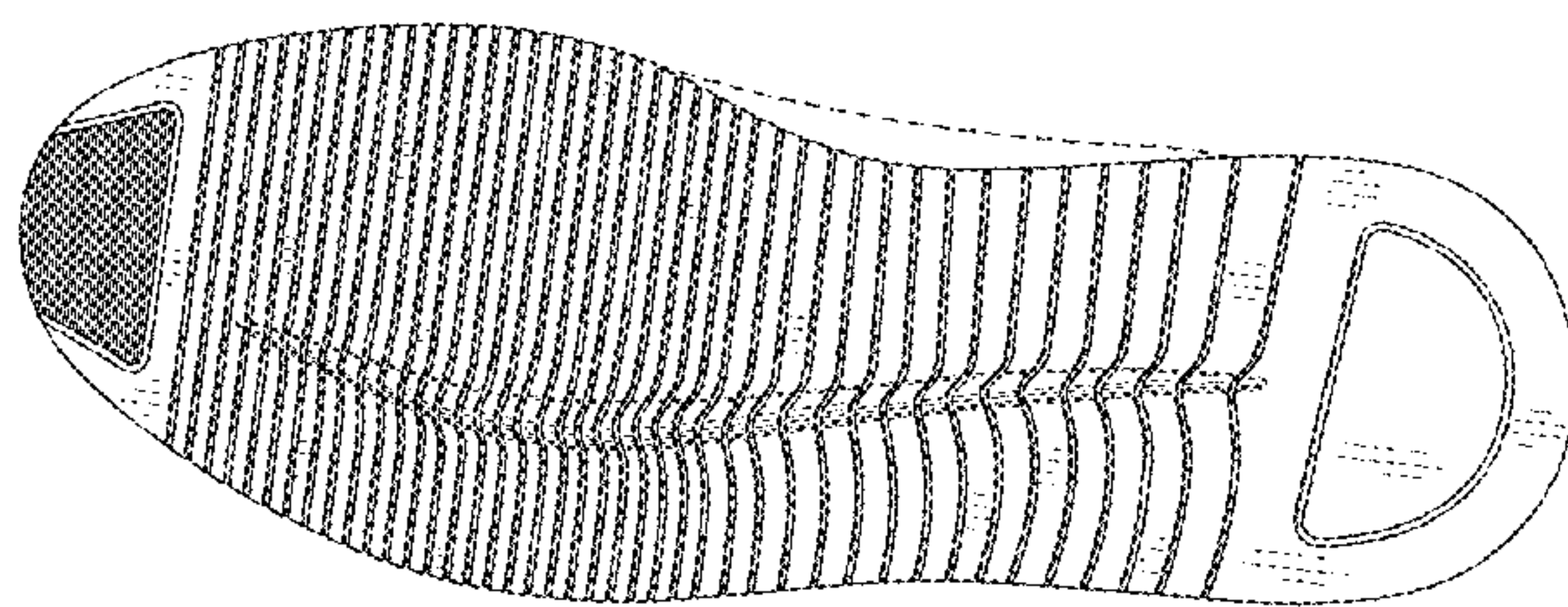
FIG. 5 is a front elevational view thereof;

FIG. 6 is a rear elevational view thereof; and,

FIG. 7 is a perspective view thereof.

The broken lines are for environmental purposes only; the broken lines form no part of the claimed design.

1 Claim, 6 Drawing Sheets



(56)

References Cited

U.S. PATENT DOCUMENTS

3,027,661 A * 4/1962 McCord A43B 13/24
36/103

3,147,558 A 9/1964 Bingham
3,444,632 A 5/1969 Hack
3,470,879 A 10/1969 Meiller
D266,798 S * 11/1982 Famolare, Jr. D2/950
4,364,190 A 12/1982 Yonkers
4,631,842 A 12/1986 Koskela
D294,537 S 3/1988 Le
4,766,681 A 8/1988 O'Rourke et al.
D316,930 S 5/1991 Bernasconi
D339,463 S 9/1993 Dyer et al.
5,448,839 A 9/1995 Blissett et al.
D369,234 S 4/1996 Fabio
D379,861 S 6/1997 Wunsch
D388,597 S 1/1998 Gavigan
D395,541 S 6/1998 Bray, Jr. et al.
D397,851 S 9/1998 Greenberg
D401,741 S 12/1998 Clarke
D412,612 S 8/1999 Boyer
D414,317 S 9/1999 Lubart
5,987,782 A 11/1999 Bramani
D430,389 S 9/2000 Del Biondi
D435,958 S 1/2001 White
6,195,918 B1 3/2001 Kelley et al.
D449,429 S 10/2001 McClaskie
D449,430 S 10/2001 McClaskie
D469,949 S 2/2003 Koo
D473,041 S 4/2003 Finkelberg
D480,540 S 10/2003 Hoyt et al.
D495,128 S 8/2004 Avar
D498,904 S 11/2004 Lee
D499,239 S 12/2004 Burg et al.
D501,706 S * 2/2005 McClaskie D2/951
D505,778 S * 6/2005 McClaskie D2/951
D507,098 S 7/2005 McClaskie
D514,288 S 2/2006 Burg
D540,516 S 4/2007 Weitzman
D559,508 S 1/2008 Cintron
D568,594 S * 5/2008 Ringholz D2/957
D575,040 S 8/2008 Bramani
D607,188 S 1/2010 Teteriatnikov
D608,080 S 1/2010 Della Valle et al.
D612,137 S 3/2010 Duan
D614,837 S 5/2010 Teteriatnikov
D619,793 S 7/2010 Raysse
D621,142 S 8/2010 Teteriatnikov
D621,594 S 8/2010 Diaz
D626,315 S 11/2010 Teteriatnikov
D627,545 S 11/2010 Raysse
D628,369 S 12/2010 Teteriatnikov
D632,876 S 2/2011 Choi
D636,566 S 4/2011 Frantz
7,941,946 B2 5/2011 Clancy et al.
D640,455 S 6/2011 Claassen
D641,144 S 7/2011 McCarron et al.
D641,145 S 7/2011 Della Valle et al.
D643,197 S 8/2011 Teteriatnikov
D643,603 S 8/2011 Teteriatnikov
D644,418 S 9/2011 Yi
D646,049 S 10/2011 Dowling
8,156,663 B2 * 4/2012 Shelton A43B 7/144
36/103

D659,361 S 5/2012 Jolicoeur
D662,292 S 6/2012 Meynard
D676,224 S 2/2013 Marshall
D688,856 S 9/2013 Miner
D702,025 S 4/2014 Della Valle et al.
D703,927 S 5/2014 Taestensen
D709,275 S 7/2014 Tucker et al.
D710,079 S 8/2014 Tucker
D715,522 S 10/2014 Tucker et al.
D717,029 S 11/2014 Young

D717,030 S 11/2014 Della Valle et al.
8,931,187 B2 1/2015 Healy et al.
D723,772 S 3/2015 Miner
D723,778 S 3/2015 Miner
D723,782 S 3/2015 Miner
D723,783 S 3/2015 Miner
D723,784 S 3/2015 Miner
D724,829 S 3/2015 Lonigan
D725,356 S 3/2015 Miner
D725,359 S 3/2015 Miner
D728,914 S 5/2015 Bove
D728,915 S 5/2015 Taestensen
D730,034 S * 5/2015 Henderson D2/951
D730,035 S 5/2015 Henderson
D737,034 S 8/2015 Lok
D738,077 S 9/2015 Montross et al.
9,125,453 B2 9/2015 Keating et al.
D740,007 S 10/2015 Lan
D741,588 S 10/2015 Weeks
9,210,965 B2 12/2015 O'Connor
D747,859 S 1/2016 Henderson et al.
D748,386 S 2/2016 Henderson et al.
D748,900 S 2/2016 Weeks
D753,381 S 4/2016 Ostapenko
D756,620 S * 5/2016 Boys D2/947
D762,958 S 8/2016 Sars
2002/0088145 A1 7/2002 Clark et al.
2005/0034328 A1 2/2005 Geer
2007/0295451 A1 12/2007 Willis
2009/0083996 A1 4/2009 Clancy et al.
2009/0151195 A1 6/2009 Forstrom et al.
2010/0088928 A1 4/2010 Sarantakos et al.
2011/0179679 A1 7/2011 Clark et al.
2011/0289799 A1 12/2011 Keating et al.
2012/0042539 A1 2/2012 Miner
2013/0152428 A1 6/2013 Bishop et al.
2014/0026438 A1 * 1/2014 Cortez A43B 13/181
36/28

2014/0196308 A1 7/2014 Baratta et al.
2015/0101215 A1 4/2015 Henderson et al.
2016/0136910 A1 5/2016 Krajcir
2016/0195440 A1 7/2016 Amos et al.
2016/0227878 A1 8/2016 Lan
2016/0242504 A1 8/2016 Cowley et al.

OTHER PUBLICATIONS

European Union Community Design No. 002847681-0002 down-
loaded from DesignView database on May 26, 2016.
European Union Community Design No. 002847681-0003 down-
loaded from DesignView database on May 26, 2016.
European Union Community Design No. 002847681-0004 down-
loaded from DesignView database on May 26, 2016.
European Union Community Design No. 002847681-0005 down-
loaded from DesignView database on May 26, 2016.
European Union Community Design No. 002847681-0006 down-
loaded from DesignView database on May 26, 2016.
European Union Community Design No. 002847681-0007 down-
loaded from DesignView database on May 26, 2016.
European Union Community Design No. 002847681-0008 down-
loaded from DesignView database on May 26, 2016.
European Union Community Design No. 002847681-0009 down-
loaded from DesignView database on May 26, 2016.
European Union Community Design No. 002847681-0010 down-
loaded from DesignView database on May 26, 2016.
European Union Community Design No. 002847681-0011 down-
loaded from DesignView database on May 26, 2016.
European Union Community Design No. 002847681-0012 down-
loaded from DesignView database on May 26, 2016.
European Union Community Design No. 002847681-0013 down-
loaded from DesignView database on May 26, 2016.
European Union Community Design No. 002847681-0014 down-
loaded from DesignView database on May 26, 2016.

* cited by examiner

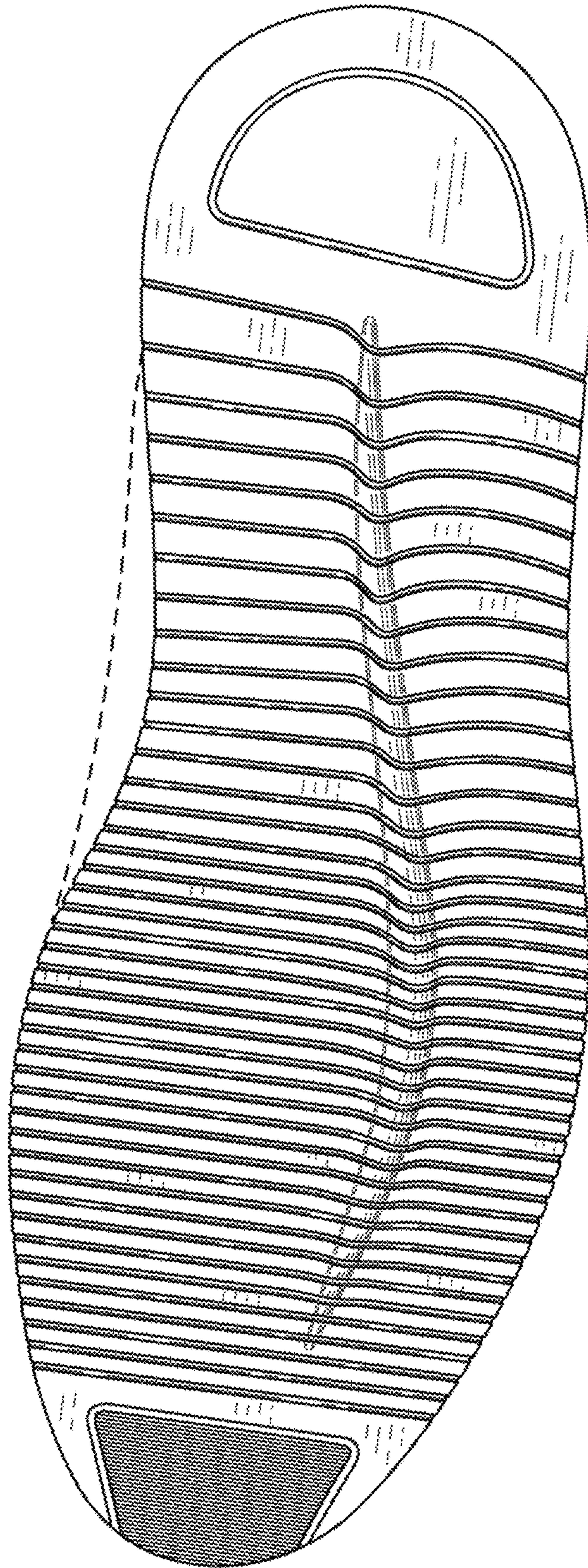


FIG. 1

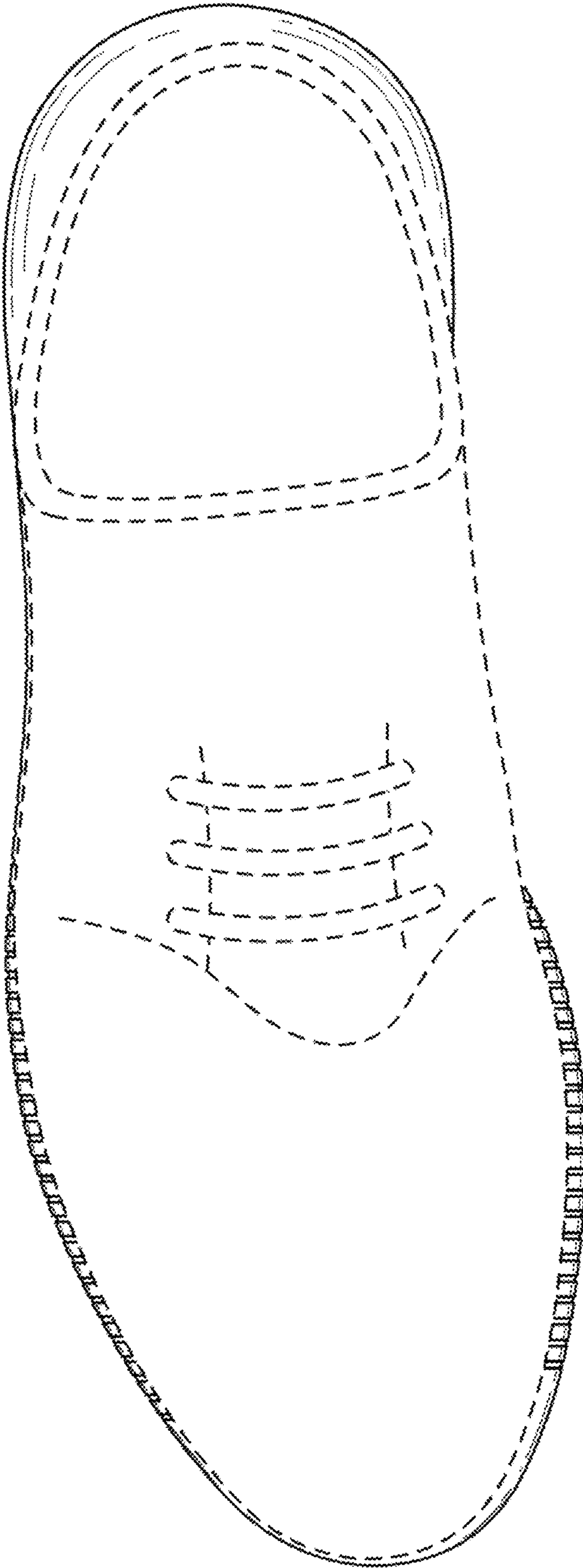


FIG. 2

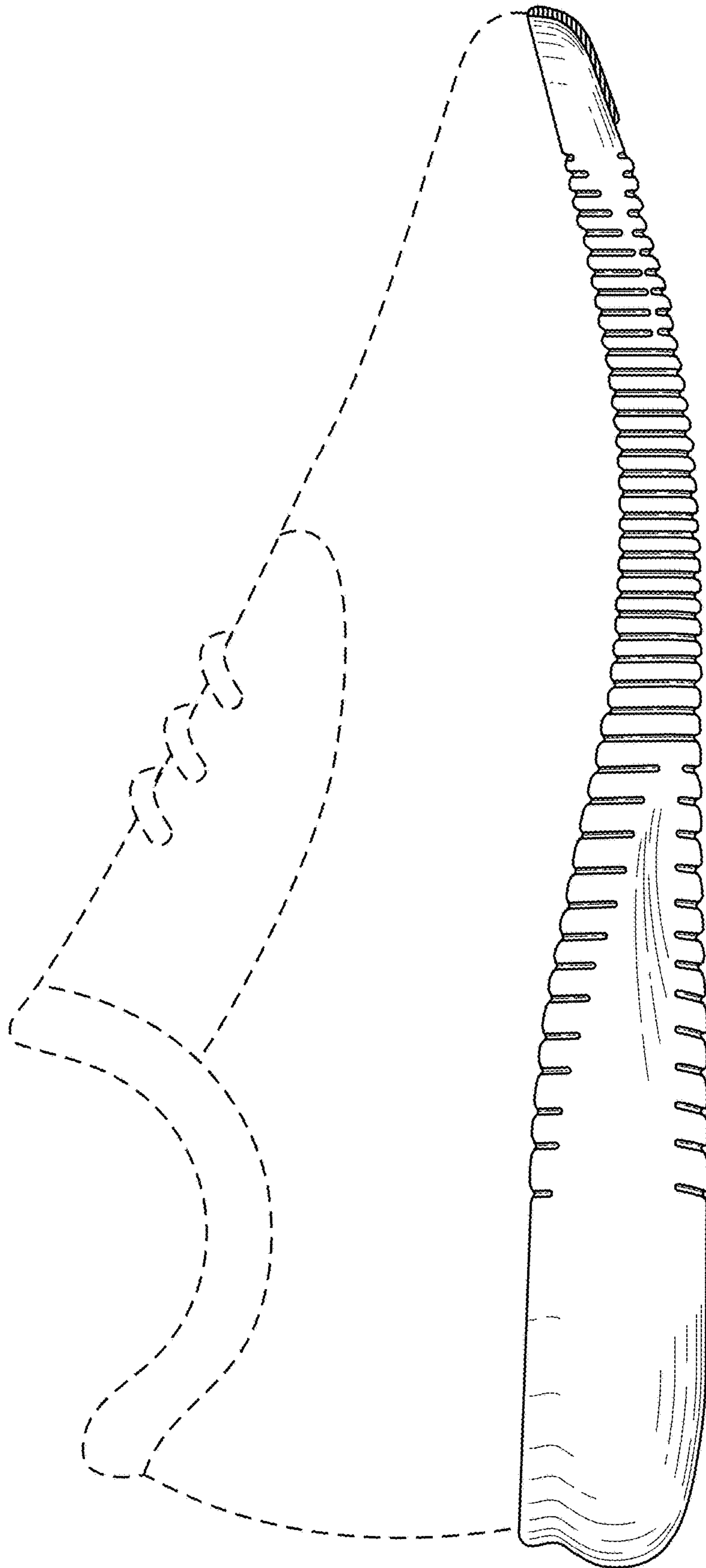


FIG. 3

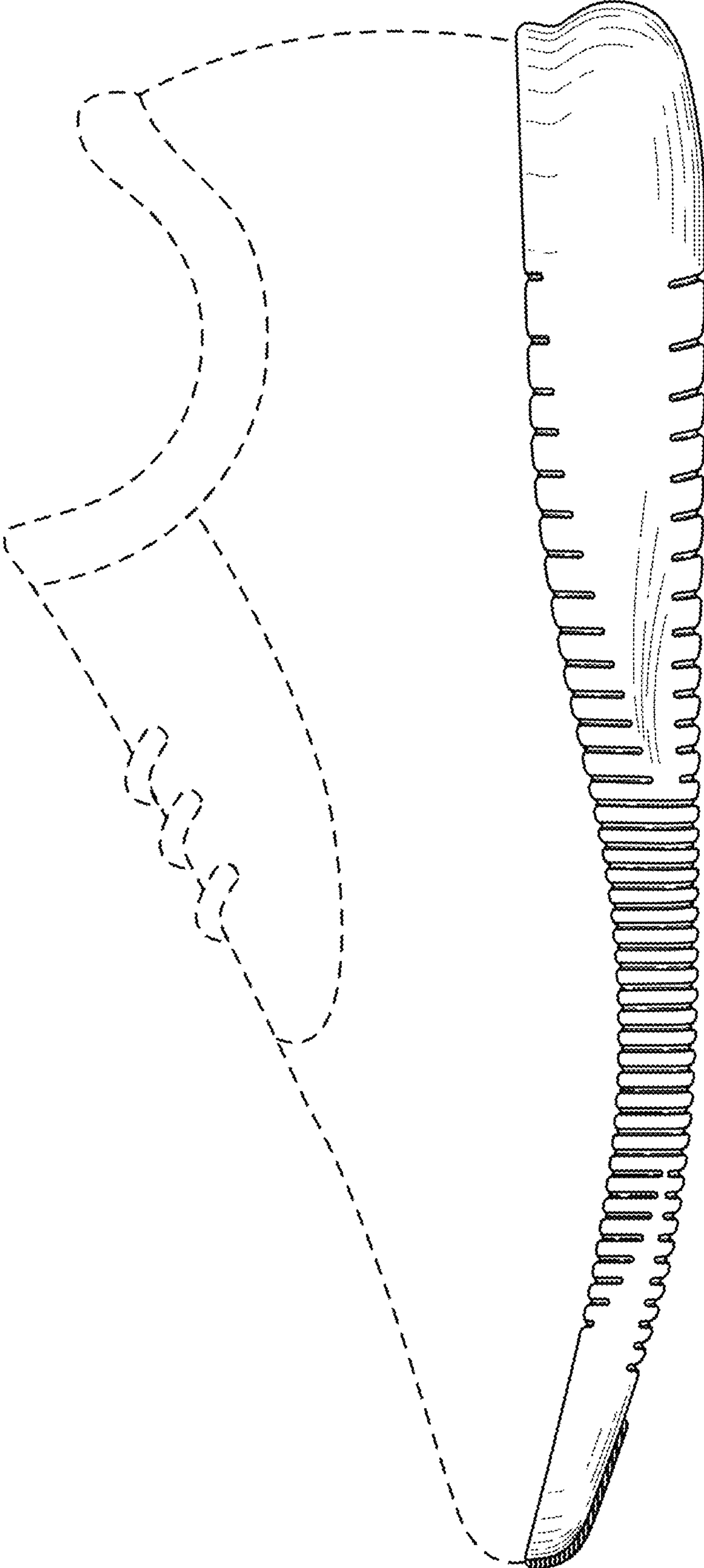


FIG. 4

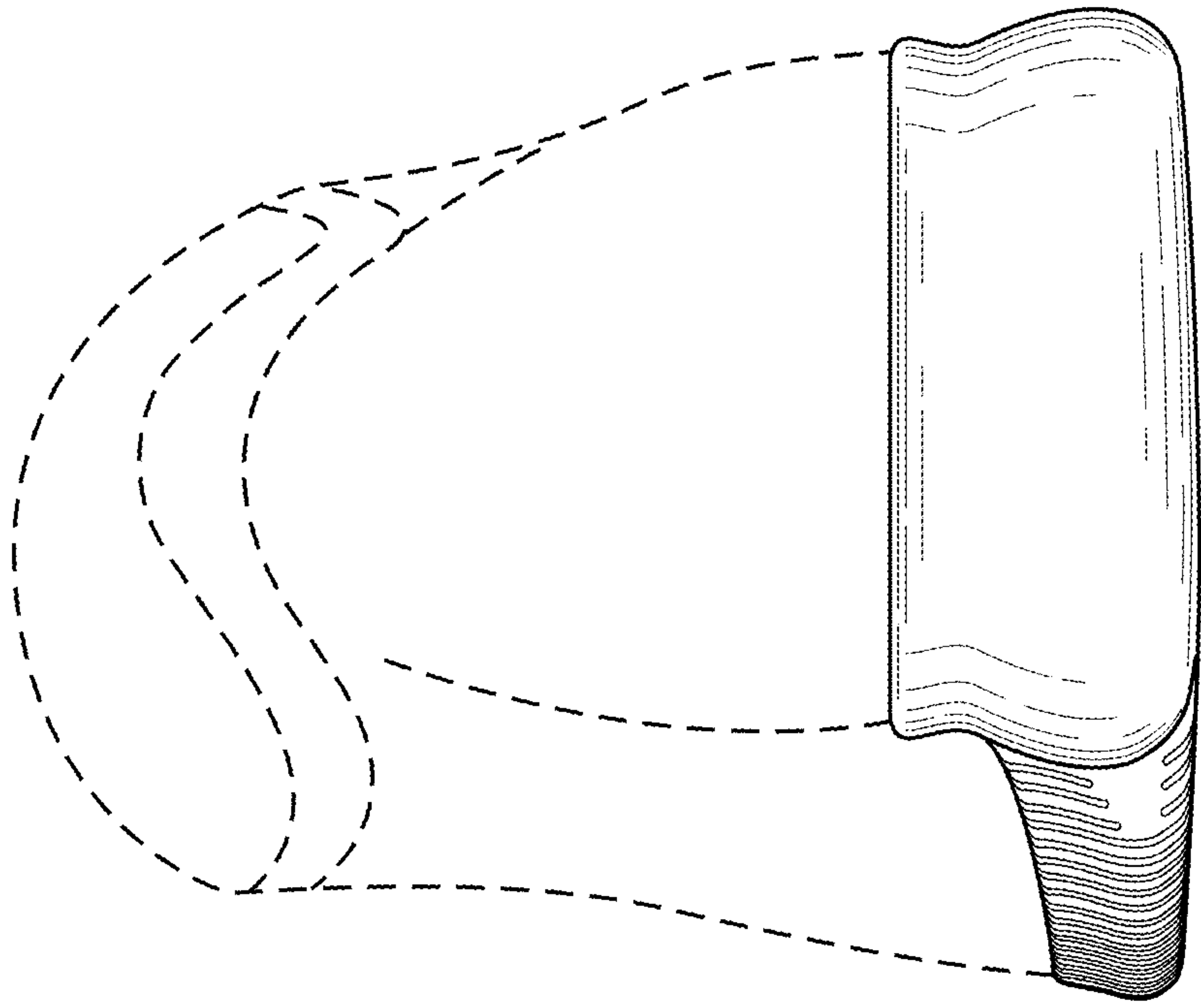


FIG. 6

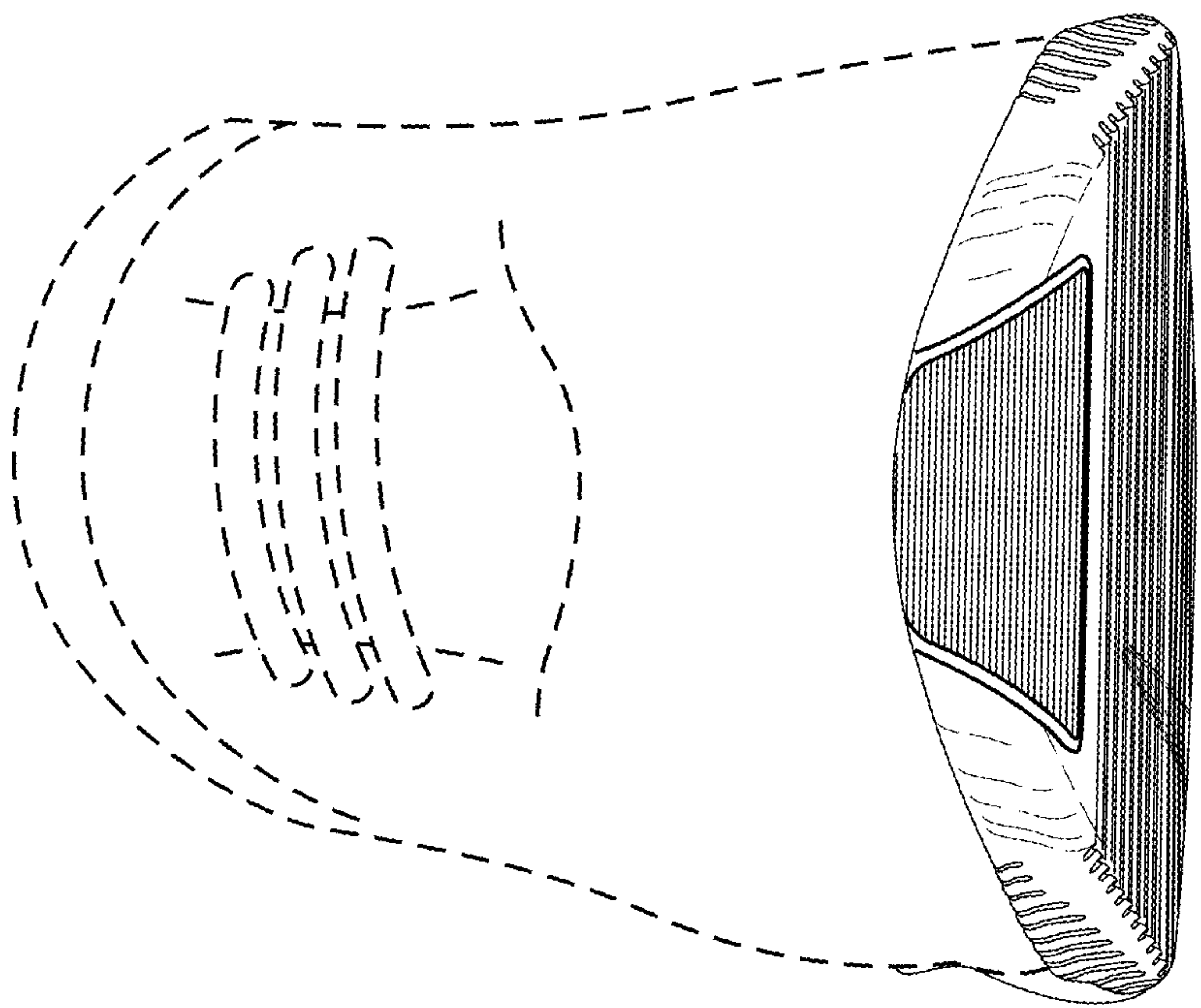


FIG. 5

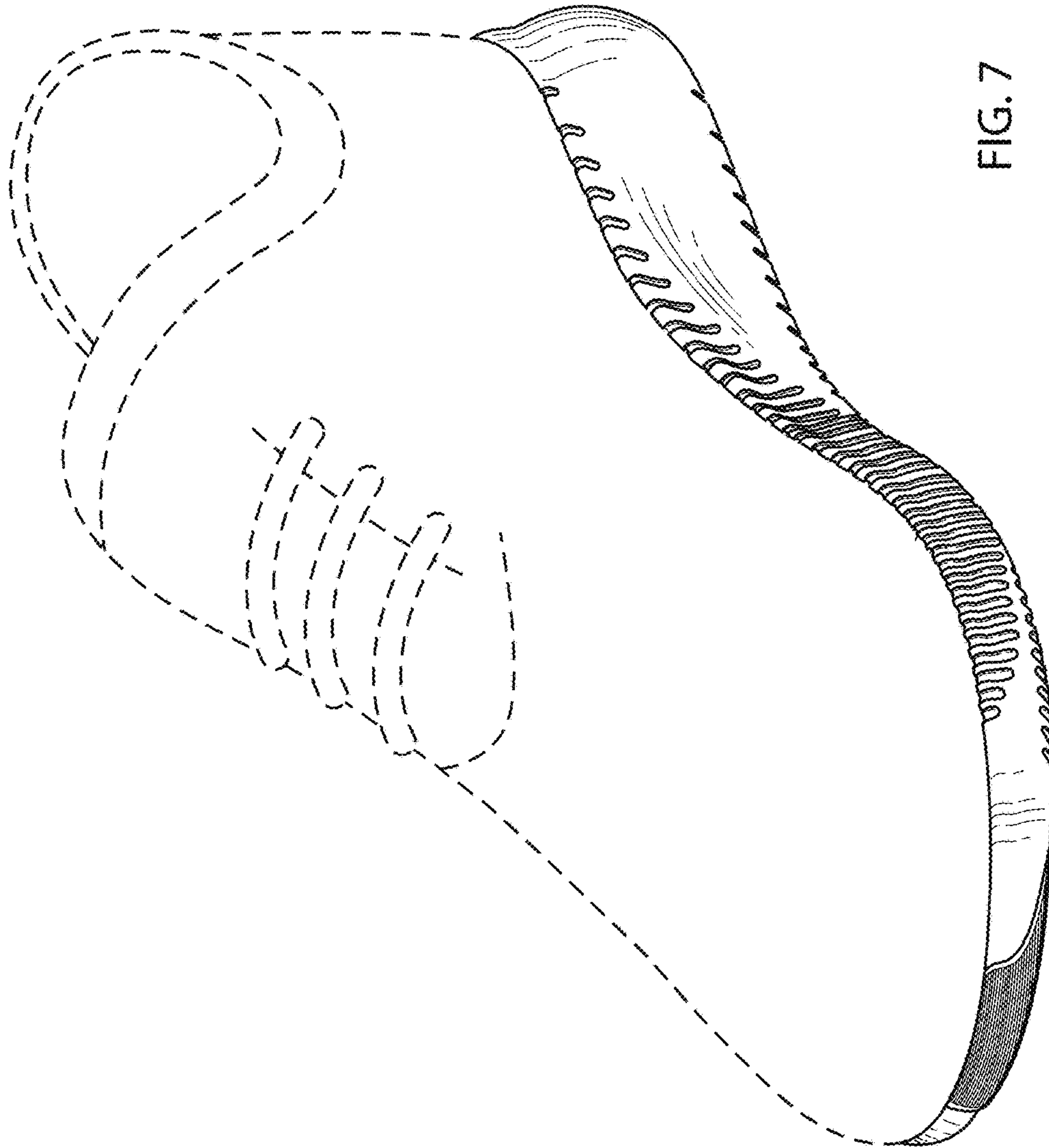


FIG. 7